



US00D649819S

(12) **United States Design Patent**
Malik

(10) **Patent No.:** **US D649,819 S**

(45) **Date of Patent:** **** Dec. 6, 2011**

(54) **OVER-THE-DOOR SHOE RACK**

(76) Inventor: **Vijay S. Malik**, Kansas City, MO (US)

(**) Term: **14 Years**

(21) Appl. No.: **29/374,131**

(22) Filed: **Jul. 6, 2011**

(51) **LOC (9) Cl.** **06-06**

(52) **U.S. Cl.** **D6/513**

(58) **Field of Classification Search** 211/35,
211/113, 118, 193, 194, 13.1, 34, 36-38,
211/85.31; 248/214, 300, 309.2; D6/409-415,
D6/449, 455-458, 461-462, 464-468, 474,
D6/476-479, 407, 630, 512-514, 570, 315,
D6/566

See application file for complete search history.

(56) **References Cited**

U.S. PATENT DOCUMENTS

1,039,694	A	10/1912	Burton	211/35
1,100,072	A	6/1914	Hammond	211/36
1,401,356	A	12/1921	Parchert	211/36
1,432,391	A	10/1922	Green et al.	211/36
1,623,244	A	4/1927	Hooper	211/36
D121,112	S	6/1940	Deja	211/35
3,900,110	A	8/1975	Soroka	211/113
3,913,745	A	10/1975	Weiss	211/34
4,688,681	A	8/1987	Bergeron	211/36
4,697,713	A	10/1987	Pryor	211/189
5,172,816	A	12/1992	Kline et al.	211/37
D341,500	S	11/1993	Klein et al.	D6/411

D354,412	S	1/1995	Emery	D6/548 I	
D369,910	S	5/1996	McCarty	D6/360	
D381,225	S	7/1997	Malik	D6/513	
D398,787	S	9/1998	Malik	D6/411	
D403,880	S	1/1999	Malik	D6/411	
D461,333	S	8/2002	Malik	D6/465	
D473,733	S	4/2003	Malik	D6/465	
D488,003	S	4/2004	Malik	D6/465	
D493,289	S	*	7/2004	Klein et al.	D6/513
D525,062	S	*	7/2006	Abdi et al.	D6/514
D598,218	S	*	8/2009	Siegel	D6/459

FOREIGN PATENT DOCUMENTS

GB 836636 6/1960

* cited by examiner

Primary Examiner — Brian N Vinson

(74) *Attorney, Agent, or Firm* — Kenneth W. Iles

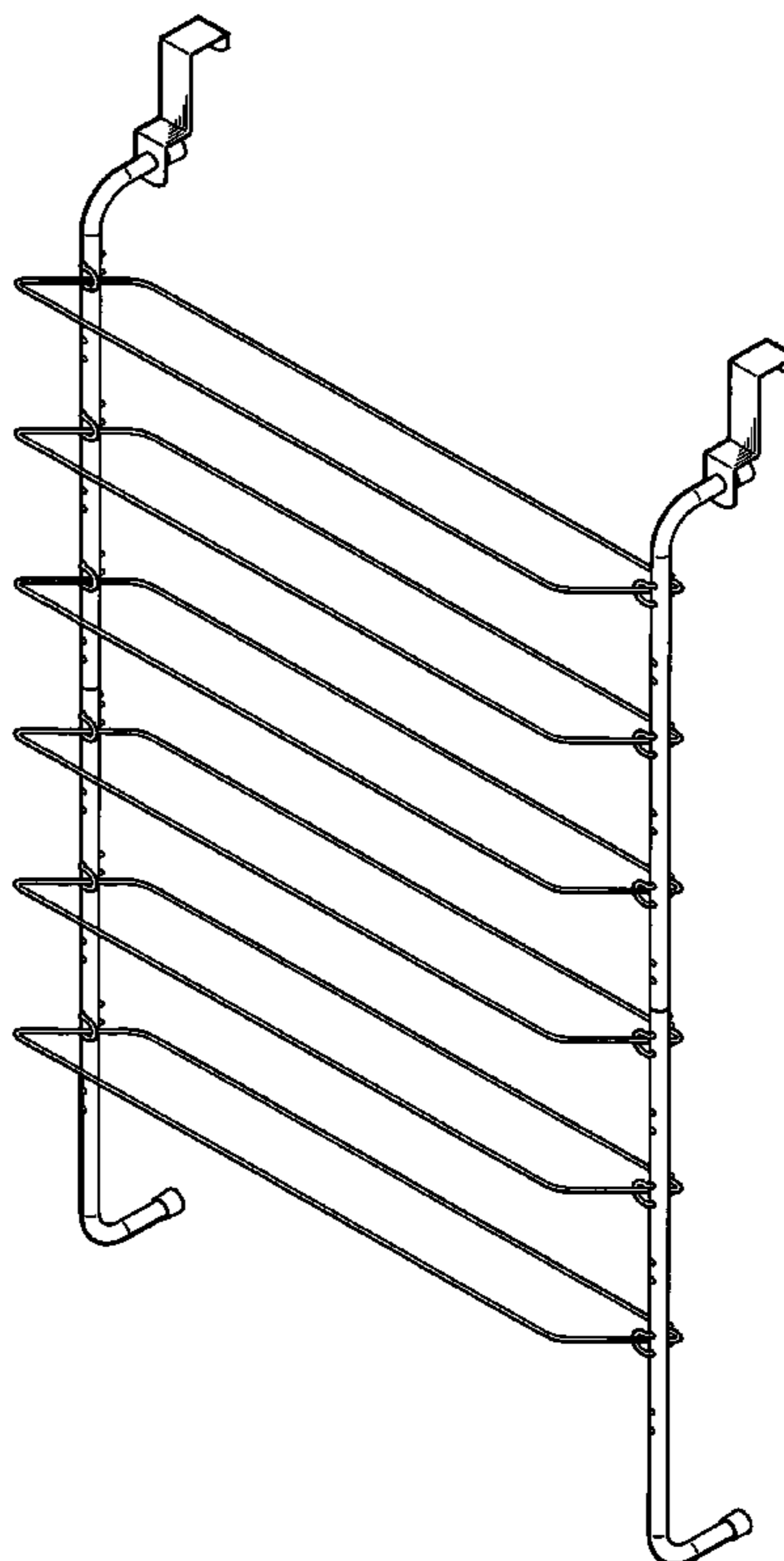
(57) **CLAIM**

The ornamental design for the over-the-door shoe rack, as shown and described.

DESCRIPTION

FIG. 1 is a right front isometric view of the over-the-door shoe rack showing my new design; FIG. 2 is a front view thereof; FIG. 3 is a rear side view thereof; FIG. 4 is a top view thereof; FIG. 5 is a bottom view thereof; FIG. 6 is a right side view thereof; and, FIG. 7 is a left side view thereof.

1 Claim, 5 Drawing Sheets



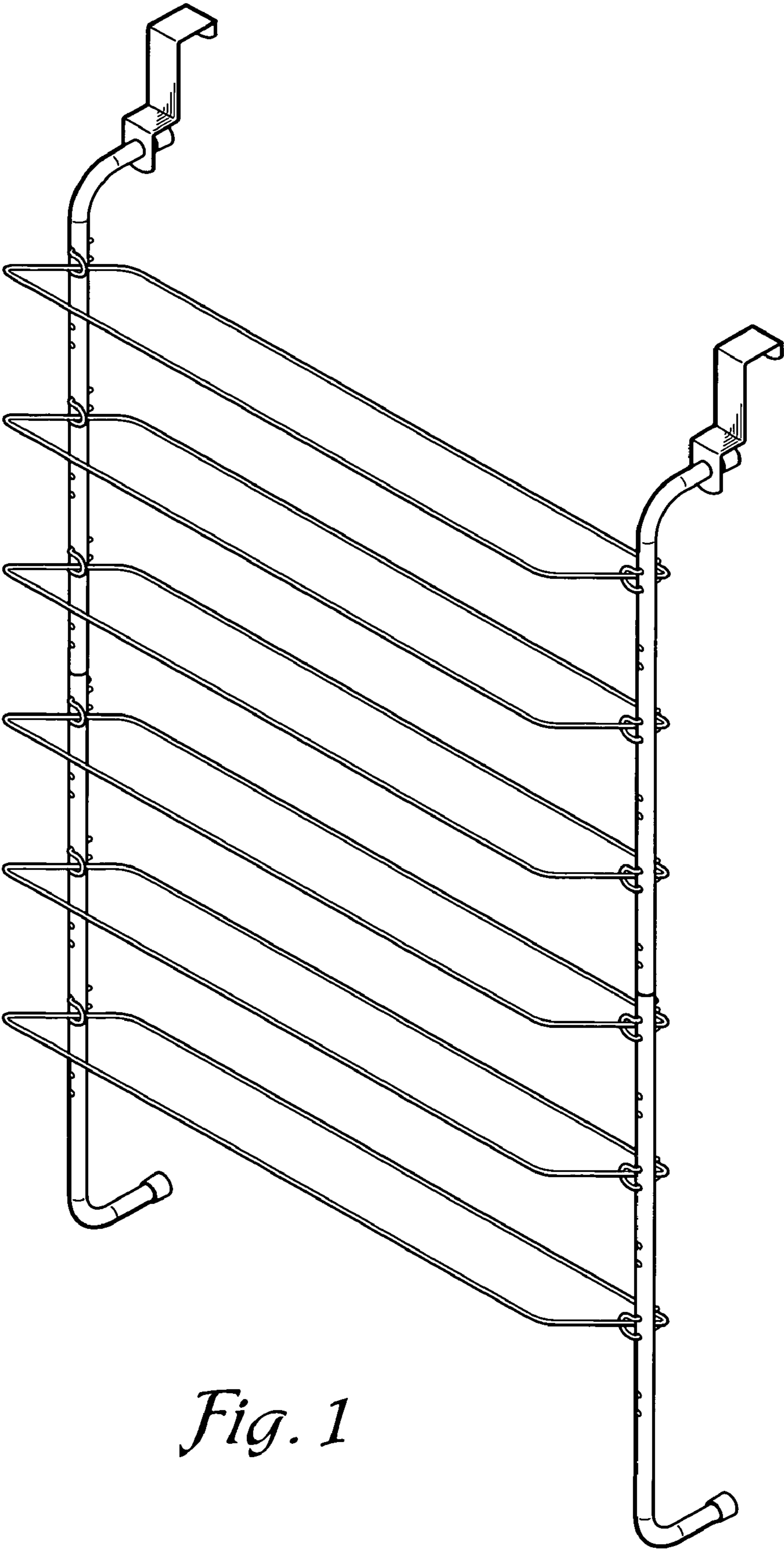


Fig. 1

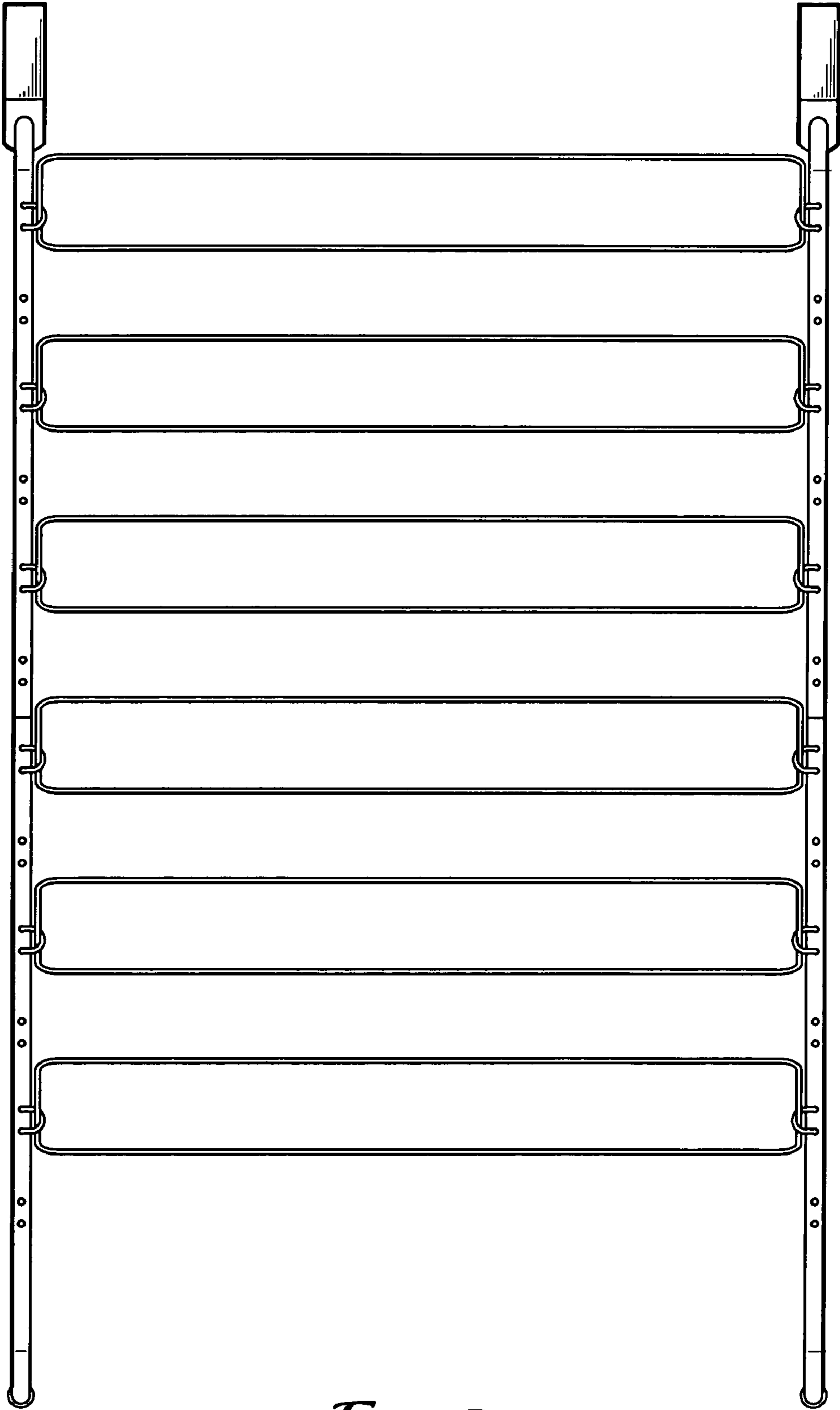


Fig. 2

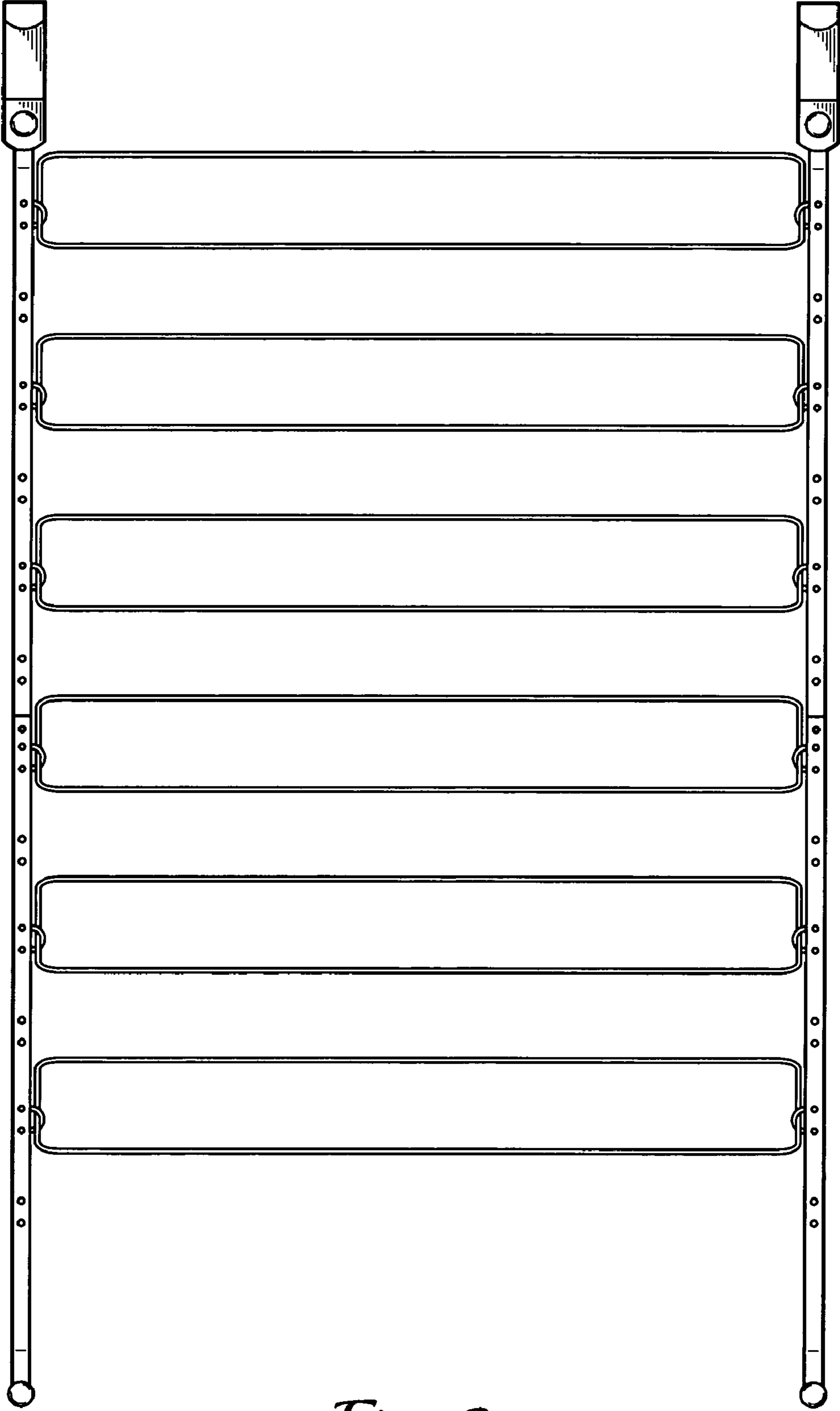


Fig. 3

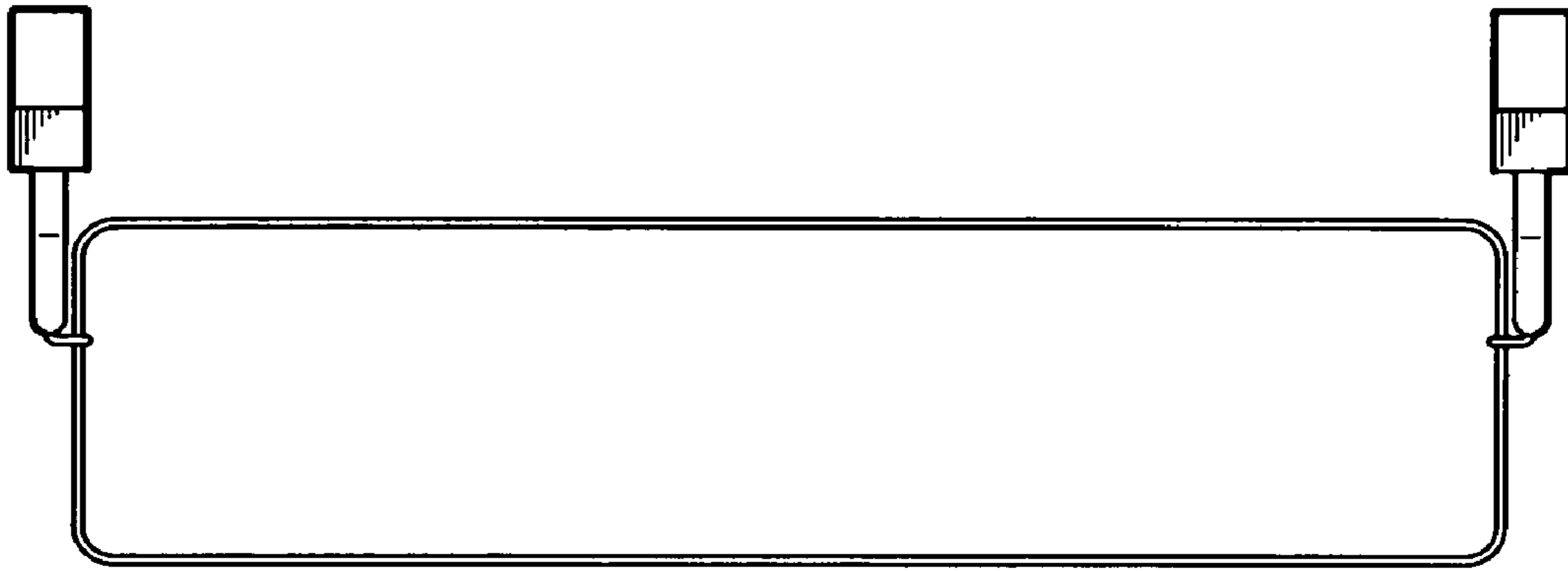


Fig. 4

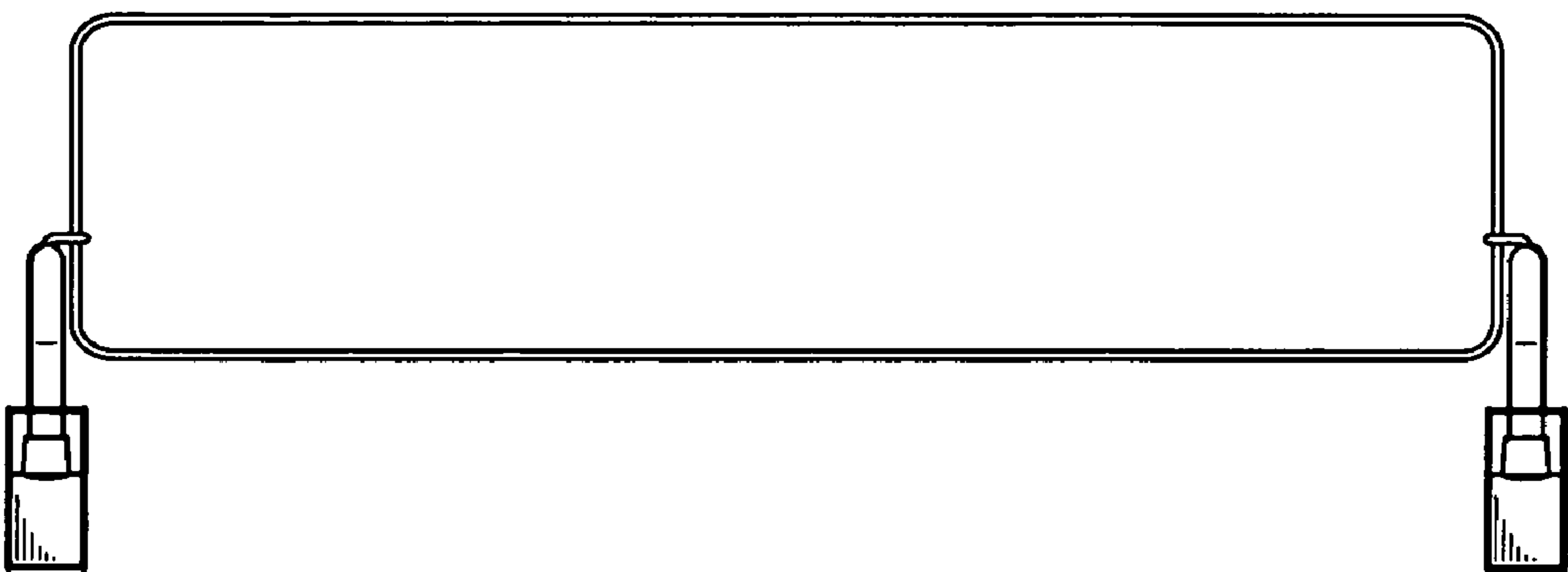


Fig. 5

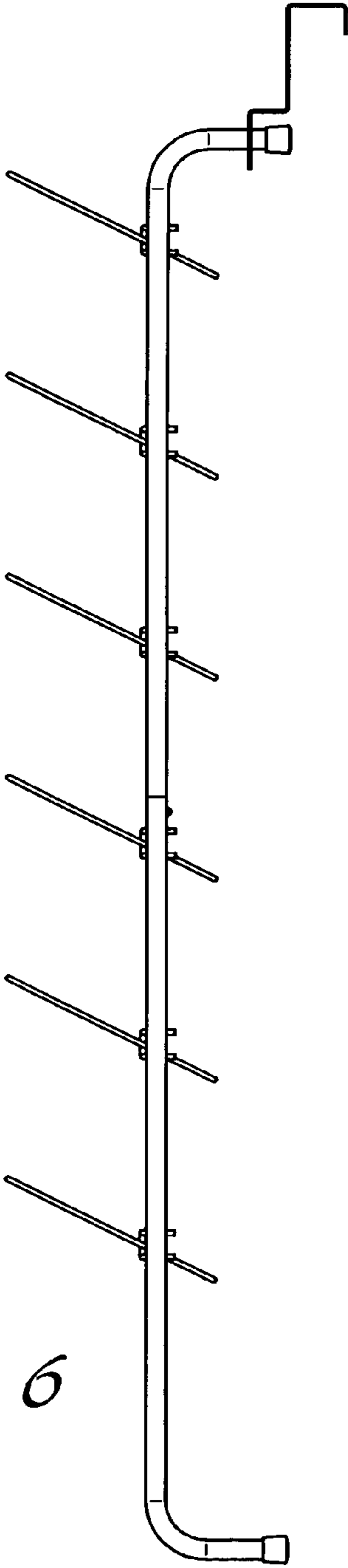


Fig. 6

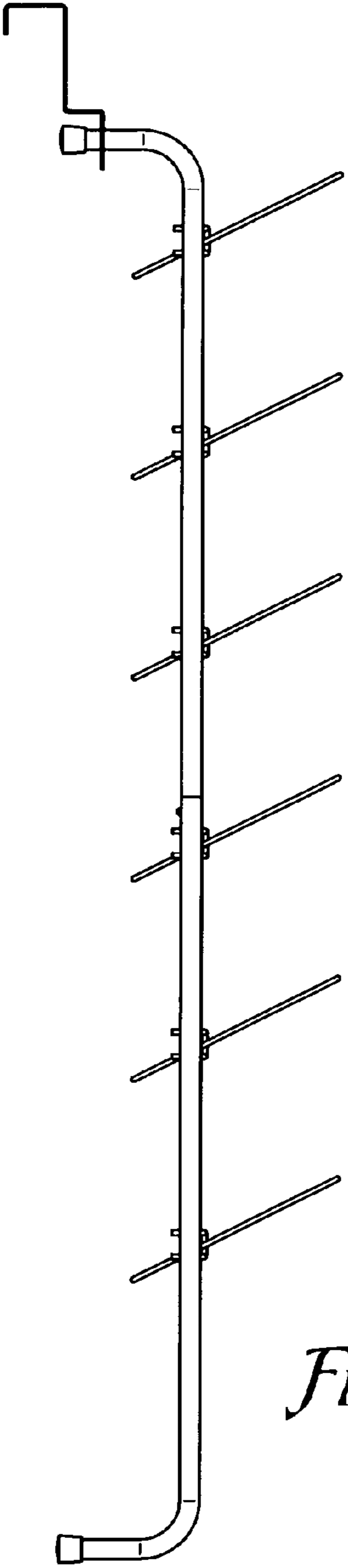


Fig. 7