



US00D649817S

(12) **United States Design Patent**
Schopmeyer

(10) **Patent No.:** **US D649,817 S**

(45) **Date of Patent:** **** Dec. 6, 2011**

(54) **GLASSWARE STORAGE**

(75) **Inventor:** **Jesse Thomas Schopmeyer**, Morganton,
NC (US)

(73) **Assignee:** **Broyhill Furniture Industries, Inc.**,
Lenoir, NC (US)

(**) **Term:** **14 Years**

(21) **Appl. No.:** **29/348,308**

(22) **Filed:** **Dec. 18, 2009**

(51) **LOC (9) Cl.** **06-02**

(52) **U.S. Cl.** **D6/509**

(58) **Field of Classification Search** D6/509,
D6/432-439, 514-515; D7/602-603, 701-703;
211/74, 75, 76; 312/198, 204, 237, 278-279
See application file for complete search history.

D583,166 S * 12/2008 Hynes D6/470
D588,385 S * 3/2009 Domack et al. D6/509
D590,627 S * 4/2009 Greiner D6/432
D591,076 S * 4/2009 Guizzardi D6/432
7,900,782 B2 * 3/2011 Goserud et al. 211/85.29
2006/0113263 A1 * 6/2006 Kratochvil 211/85.29

OTHER PUBLICATIONS

Akurum, High Cab w/Pull-Out Storage/2, <http://www.ikea.com/us/en/catalog/products/S8986963.8.com>, Dec. 10, 2009.

* cited by examiner

Primary Examiner — Elizabeth Albert

Assistant Examiner — Kelley Donnelly

(74) *Attorney, Agent, or Firm* — Kilpatrick Townsend &
Stockton LLP

(57) **CLAIM**

The ornamental design for a glassware storage, as shown and described.

DESCRIPTION

FIG. 1 is a perspective view of a glassware storage showing my new design;

FIG. 2 is a perspective view thereof showing the door in an open position;

FIG. 3 is a front elevation view thereof; and,

FIG. 4 is a right side elevation view thereof.

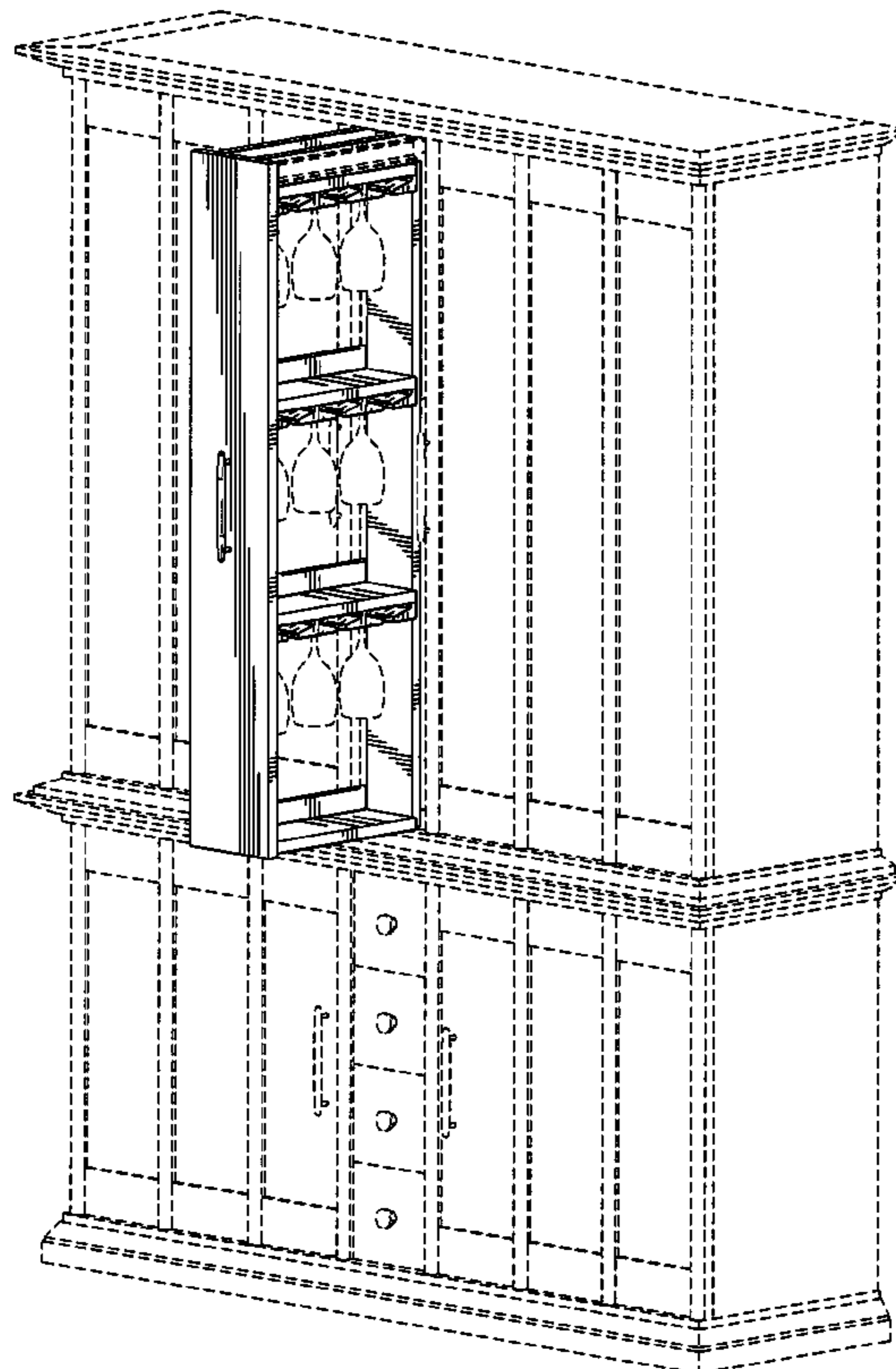
The broken line showing in FIGS. 1-4 is included for the purpose of illustrating environment and forms no part of the claimed design.

1 Claim, 4 Drawing Sheets

(56) **References Cited**

U.S. PATENT DOCUMENTS

D249,422 S * 9/1978 Helgesen et al. D6/571
D262,334 S * 12/1981 Clarke et al. D6/462
D269,926 S * 8/1983 White D6/514
D288,156 S * 2/1987 Nuncio D6/468
D308,924 S * 7/1990 VanNoord D6/513
D381,854 S * 8/1997 Moeller et al. D6/566
D393,388 S * 4/1998 Chen D6/513
D513,675 S * 1/2006 Peterson et al. D6/470
7,131,545 B1 * 11/2006 Grogan 211/85.29
D548,487 S * 8/2007 Osiecki et al. D6/467
D564,810 S * 3/2008 Thompson D6/509



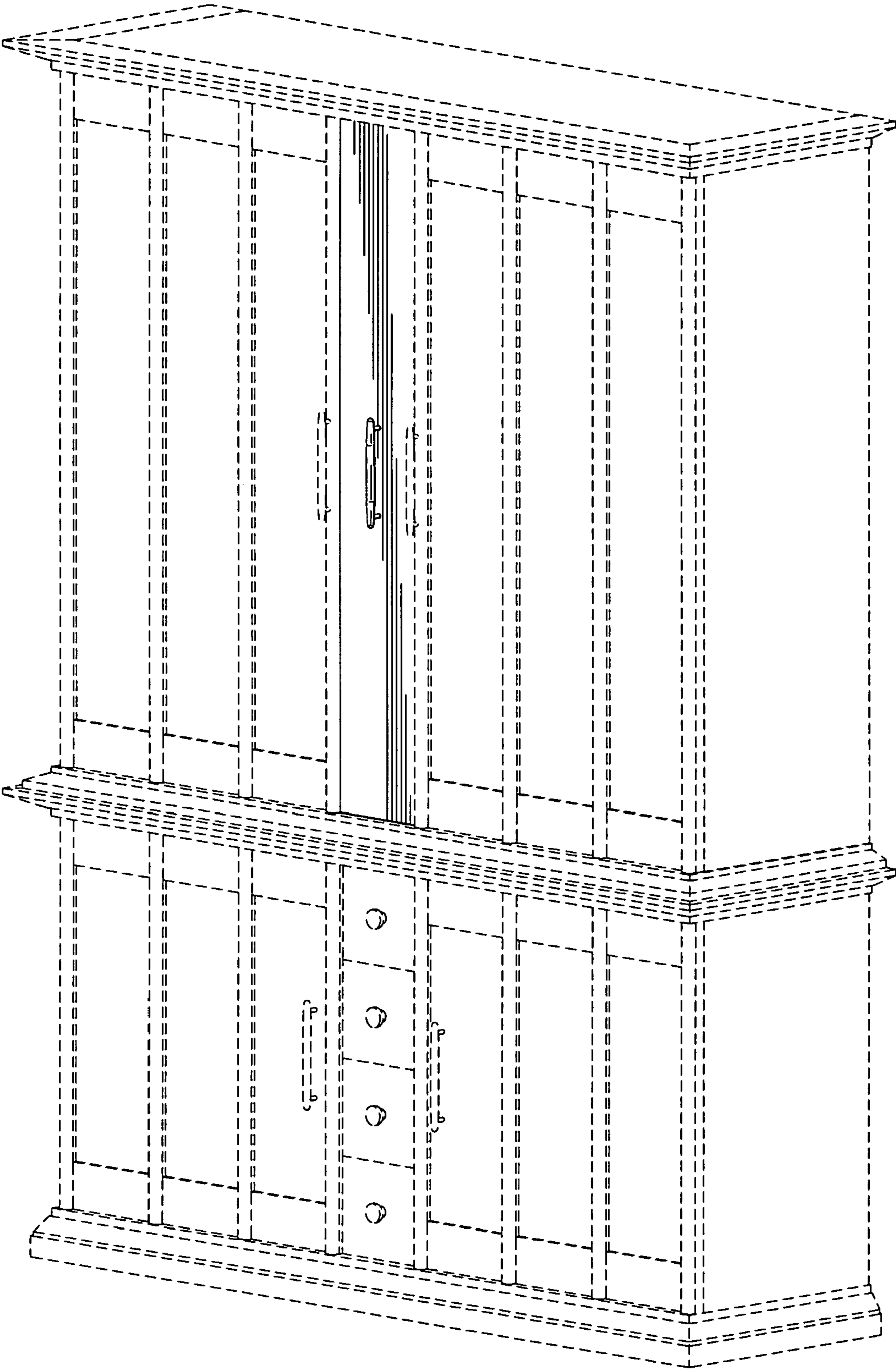


FIG. 1

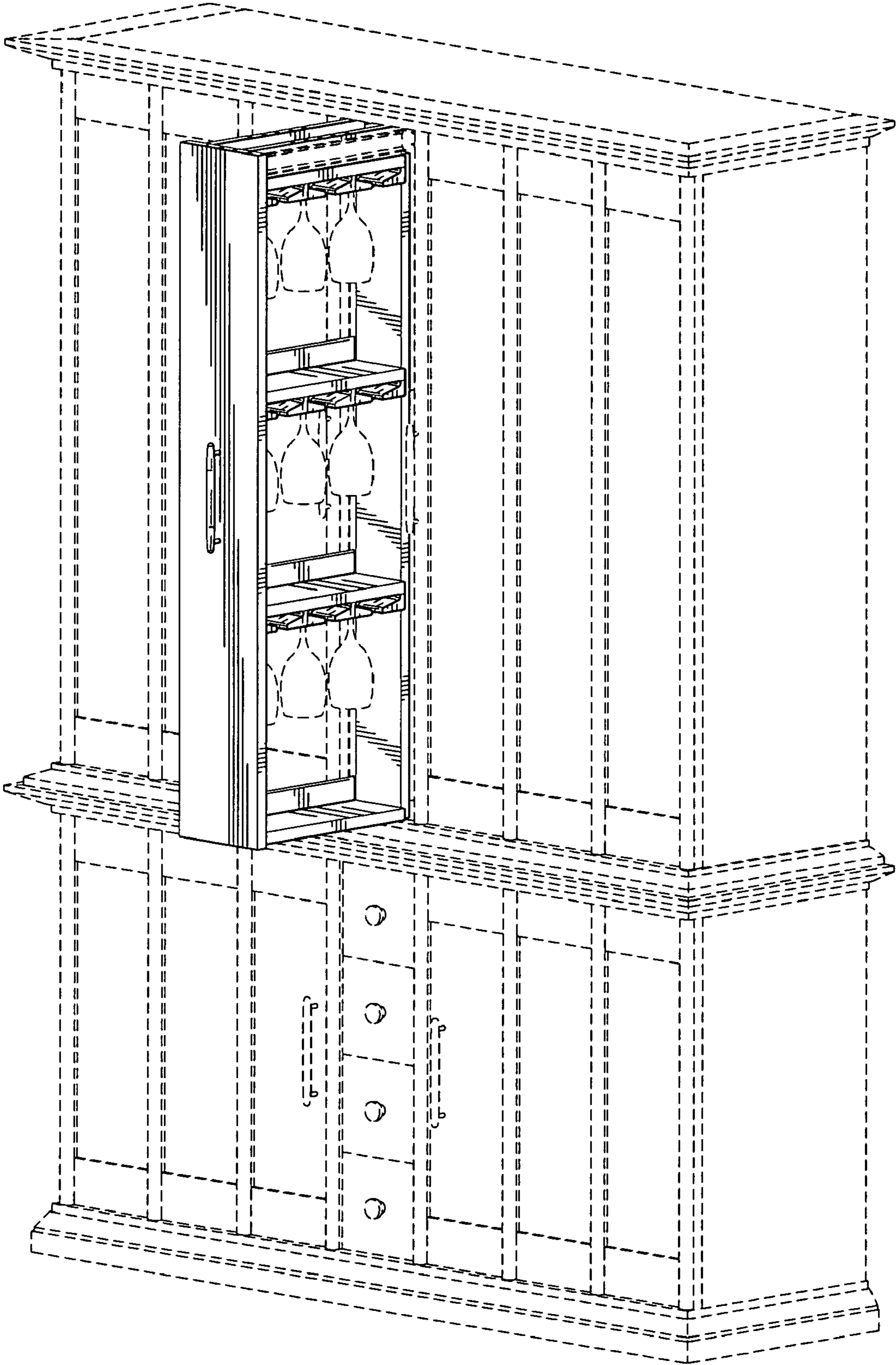


FIG. 2

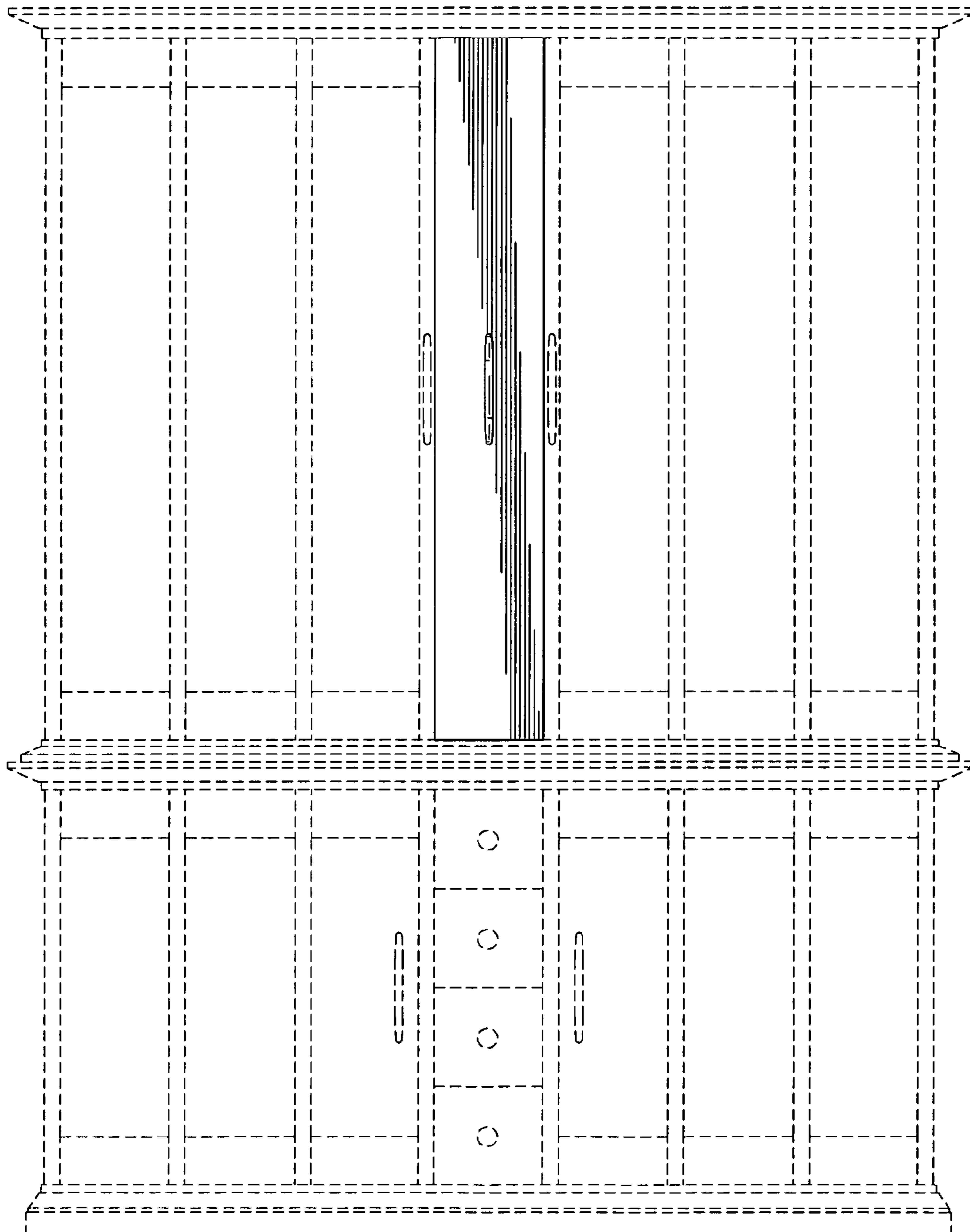


FIG. 3

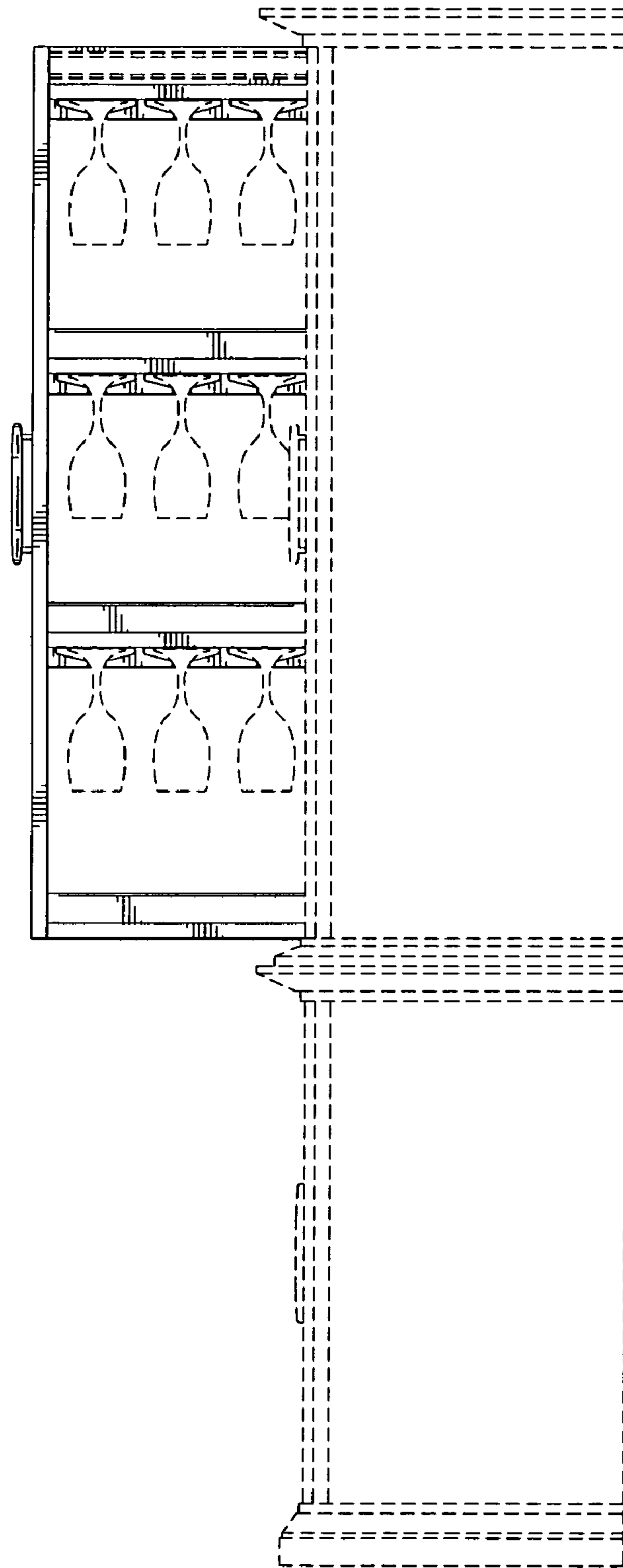


FIG. 4