



US00D649816S

(12) **United States Design Patent**  
**Hassman**

(10) **Patent No.:** **US D649,816 S**

(45) **Date of Patent:** **\*\* Dec. 6, 2011**

(54) **BASEBALL BAT CHAIR**

(75) Inventor: **Ellen Hassman**, Hollywood, FL (US)

(73) Assignee: **Consumer Motivation Group, Inc.**,  
New York, NY (US)

(\*\*) Term: **14 Years**

(21) Appl. No.: **29/357,816**

(22) Filed: **Mar. 17, 2010**

(51) **LOC (9) Cl.** ..... **06-01**

(52) **U.S. Cl.** ..... **D6/502; D6/358**

(58) **Field of Classification Search** ..... D6/334-336,  
D6/351, 358, 370, 374, 375, 379, 380, 388,  
D6/451, 500-502; 297/181, 447.4, 411.43,  
297/423.21, 445.1, 452.63; 5/308

See application file for complete search history.

(56) **References Cited**

**U.S. PATENT DOCUMENTS**

D109,239	S	*	4/1938	Wolpin	.....	D6/370
D120,222	S	*	4/1940	Harman	.....	D6/358
D247,727	S	*	4/1978	Mitchell	.....	D6/388
D309,681	S	*	8/1990	Solomon et al.	.....	D6/351
D344,863	S	*	3/1994	Winkler	.....	D6/388
D345,656	S	*	4/1994	Theobald	.....	D6/370
D348,363	S	*	7/1994	Willemsen	.....	D6/451
D349,411	S	*	8/1994	Marriott et al.	.....	D6/358
D373,265	S	*	9/1996	Horvath	.....	D6/451
D384,830	S	*	10/1997	Daniel	.....	D6/388
D424,823	S	*	5/2000	Taylor et al.	.....	D6/358
D426,082	S	*	6/2000	Fehlig et al.	.....	D6/351
D432,802	S	*	10/2000	Taylor et al.	.....	D6/351
D434,917	S	*	12/2000	Yang	.....	D6/358
6,578,214	B2	*	6/2003	Peftoulidis	.....	5/308

D507,706	S	*	7/2005	Lo	.....	D6/358
D546,084	S	*	7/2007	Lenardi	.....	D6/358
D566,411	S	*	4/2008	Lee	.....	D6/370
D570,127	S	*	6/2008	Spink	.....	D6/370
D572,040	S	*	7/2008	D'Onofrio	.....	D6/451

\* cited by examiner

*Primary Examiner* — Mimoso De

(74) *Attorney, Agent, or Firm* — Robert M. Downey, P.A.

(57) **CLAIM**

The ornamental design for a baseball bat chair, shown and described.

**DESCRIPTION**

FIG. 1 is a front left perspective view of the baseball bat chair showing the new design;

FIG. 2 is a left side elevation view thereof and is a mirror image of a right side elevation view thereof;

FIG. 3 is a top plan view thereof;

FIG. 4 is a front elevation view thereof;

FIG. 5 is a rear elevation view thereof;

FIG. 6 is a left side perspective view of an alternate embodiment of the baseball bat chair, with the only difference between this embodiment and that of FIGS. 1-5 being the addition of one more bat;

FIG. 7 is a left side elevation view of FIG. 6 and is a mirror image of a right side elevation view thereof;

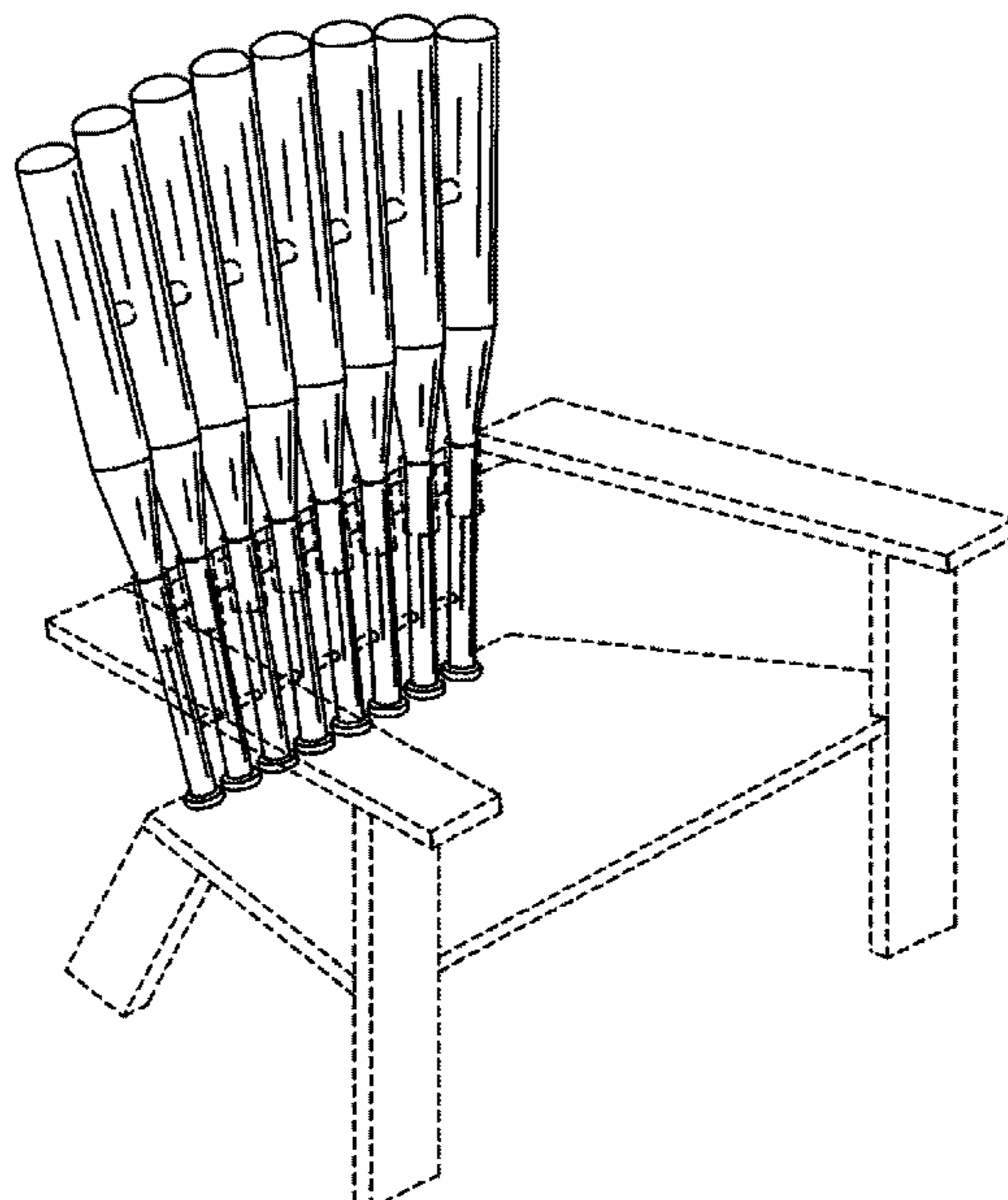
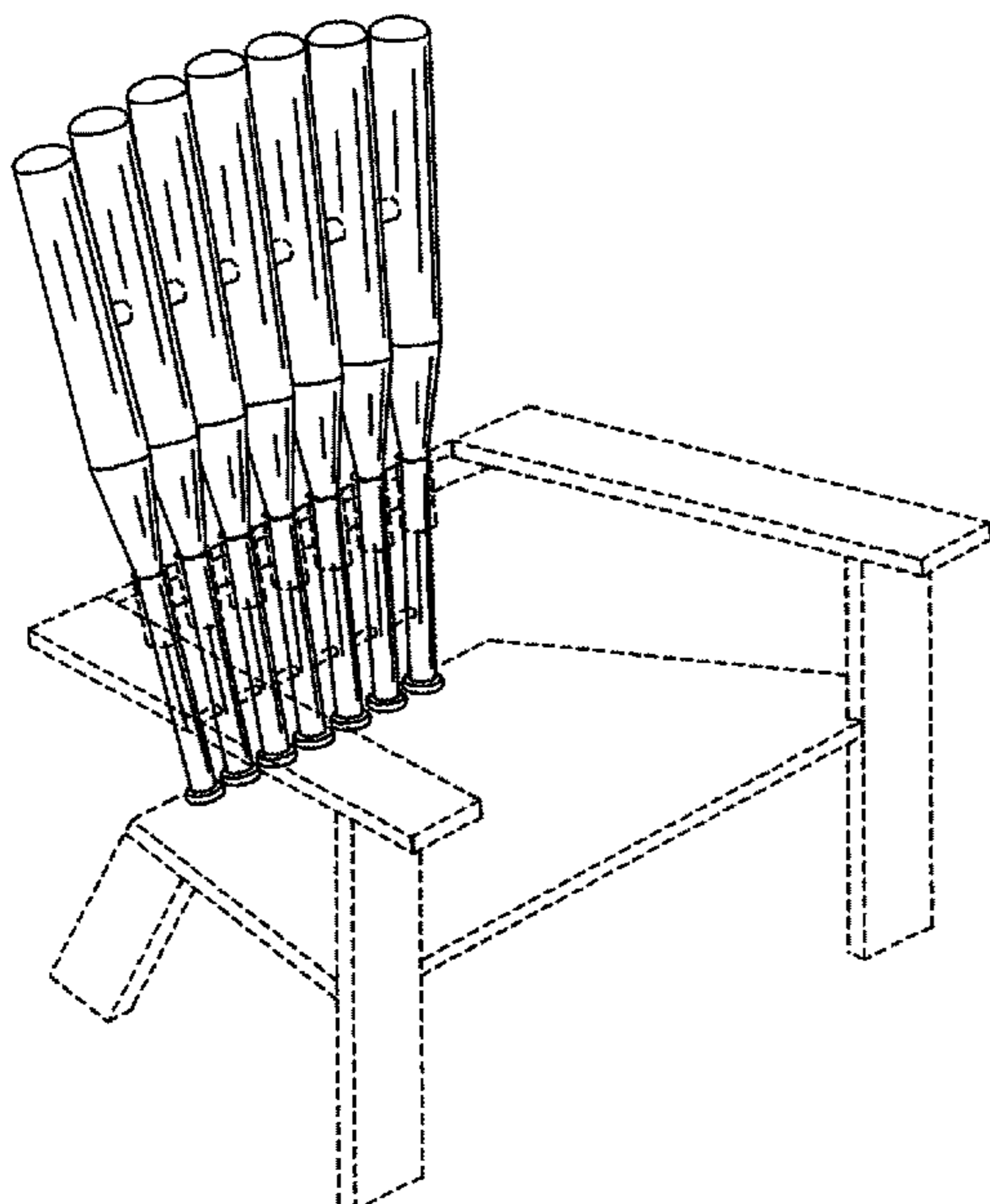
FIG. 8 is a top plan view of FIG. 6;

FIG. 9 is a front elevation view of FIG. 6; and,

FIG. 10 is a rear elevation view of FIG. 6.

The broken lines in the drawings are for illustrative purposes only and form no part of the claimed design.

**1 Claim, 6 Drawing Sheets**



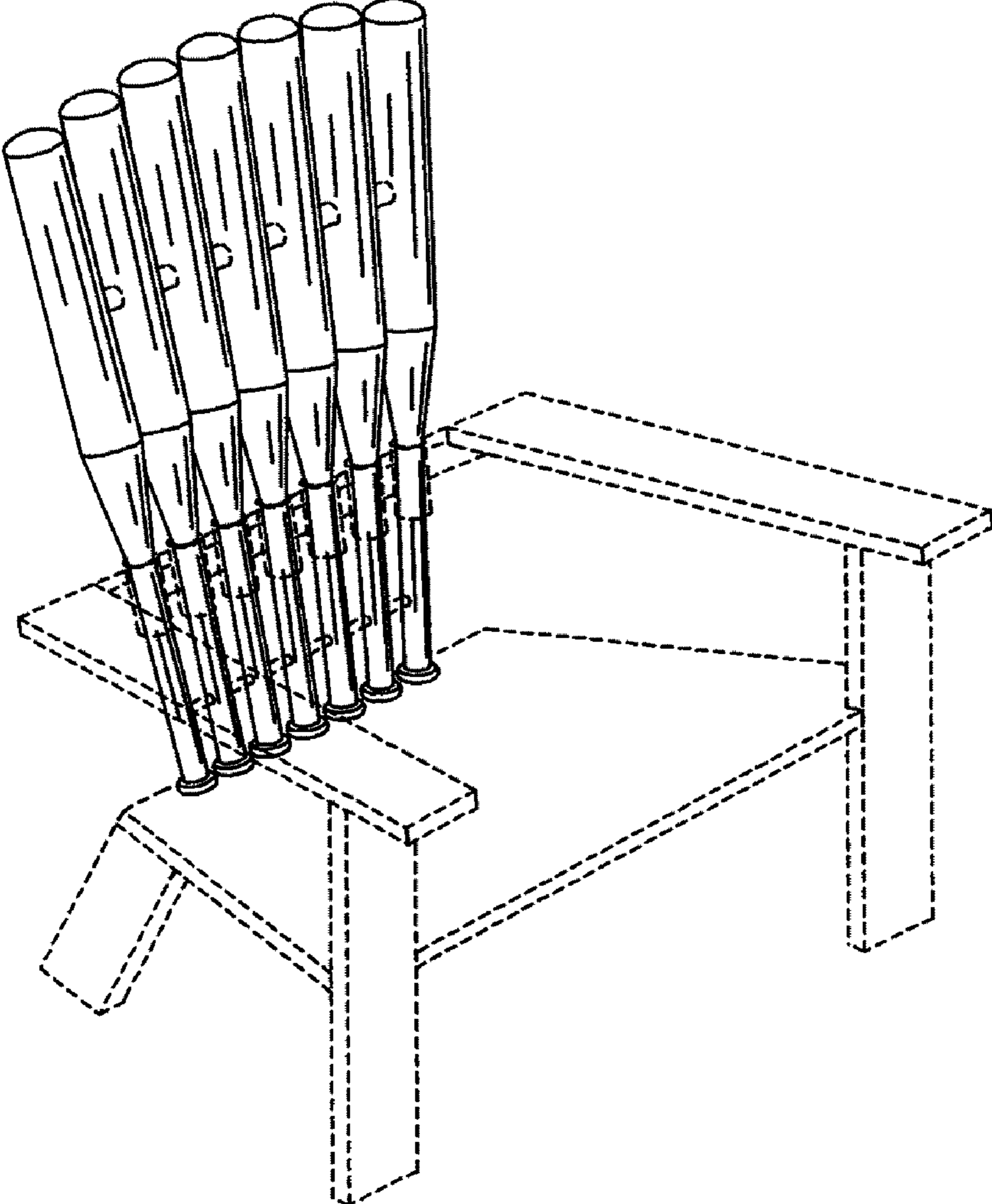


FIG 1

FIG 2

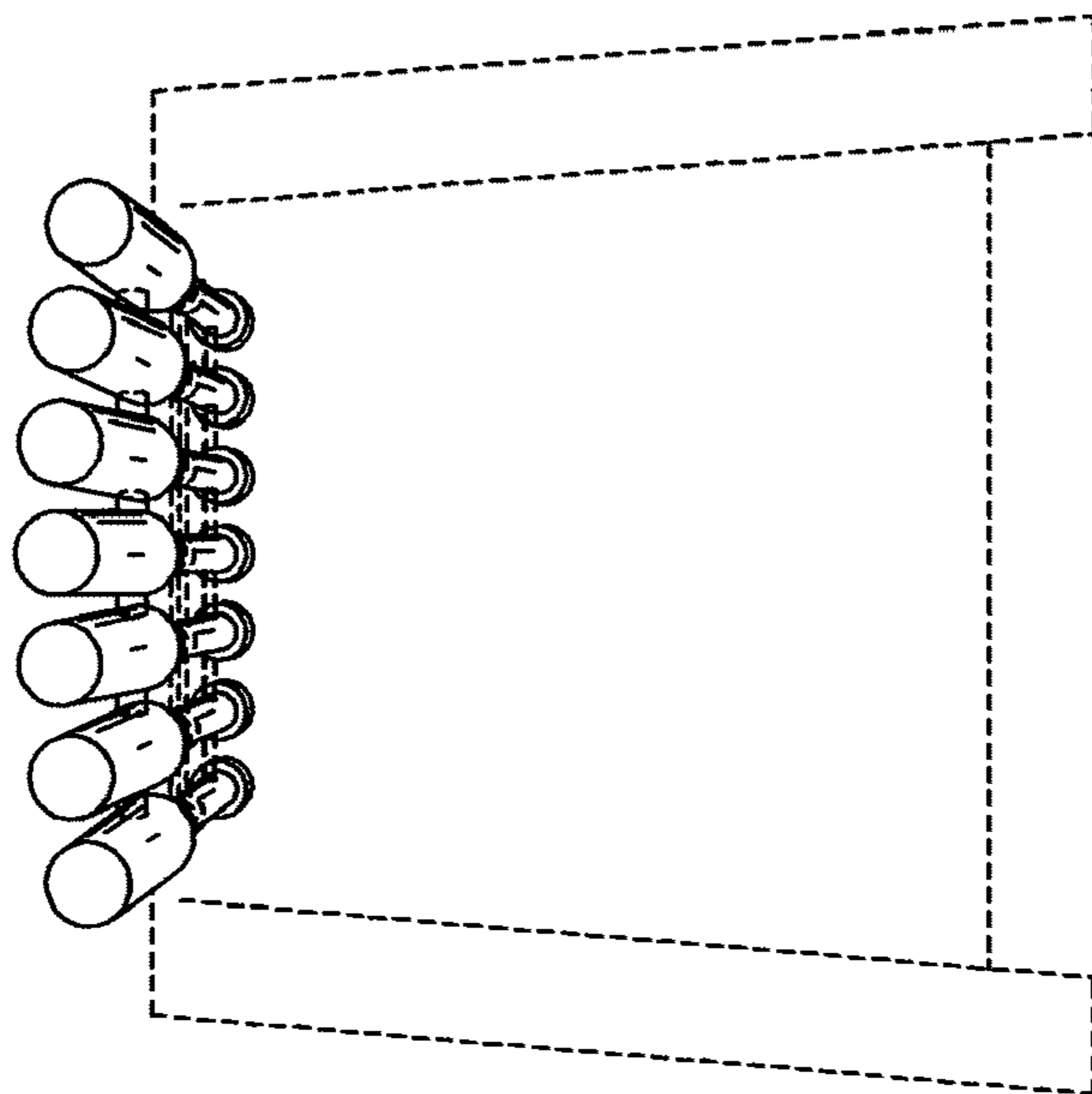
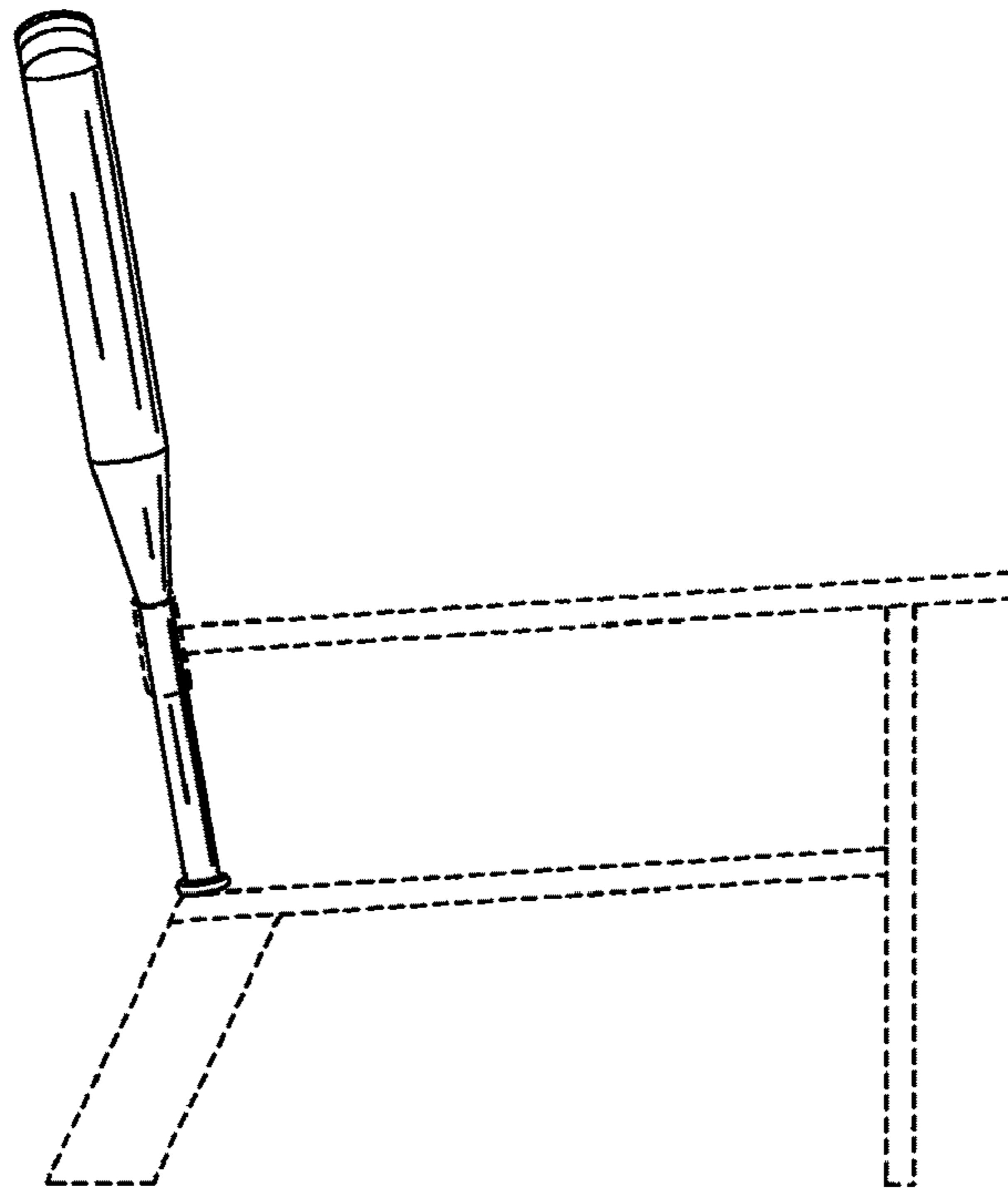


FIG 3

FIG 4

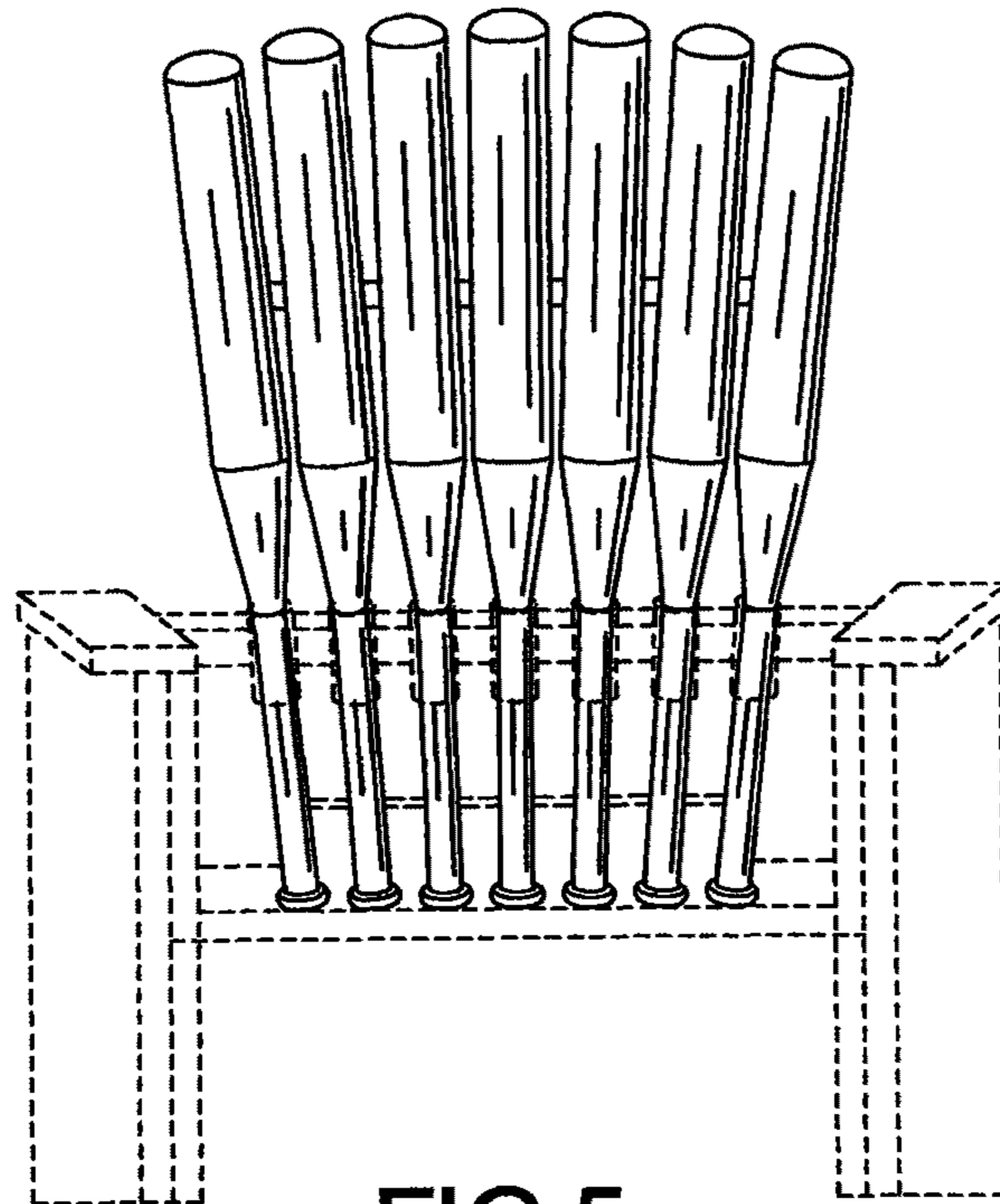
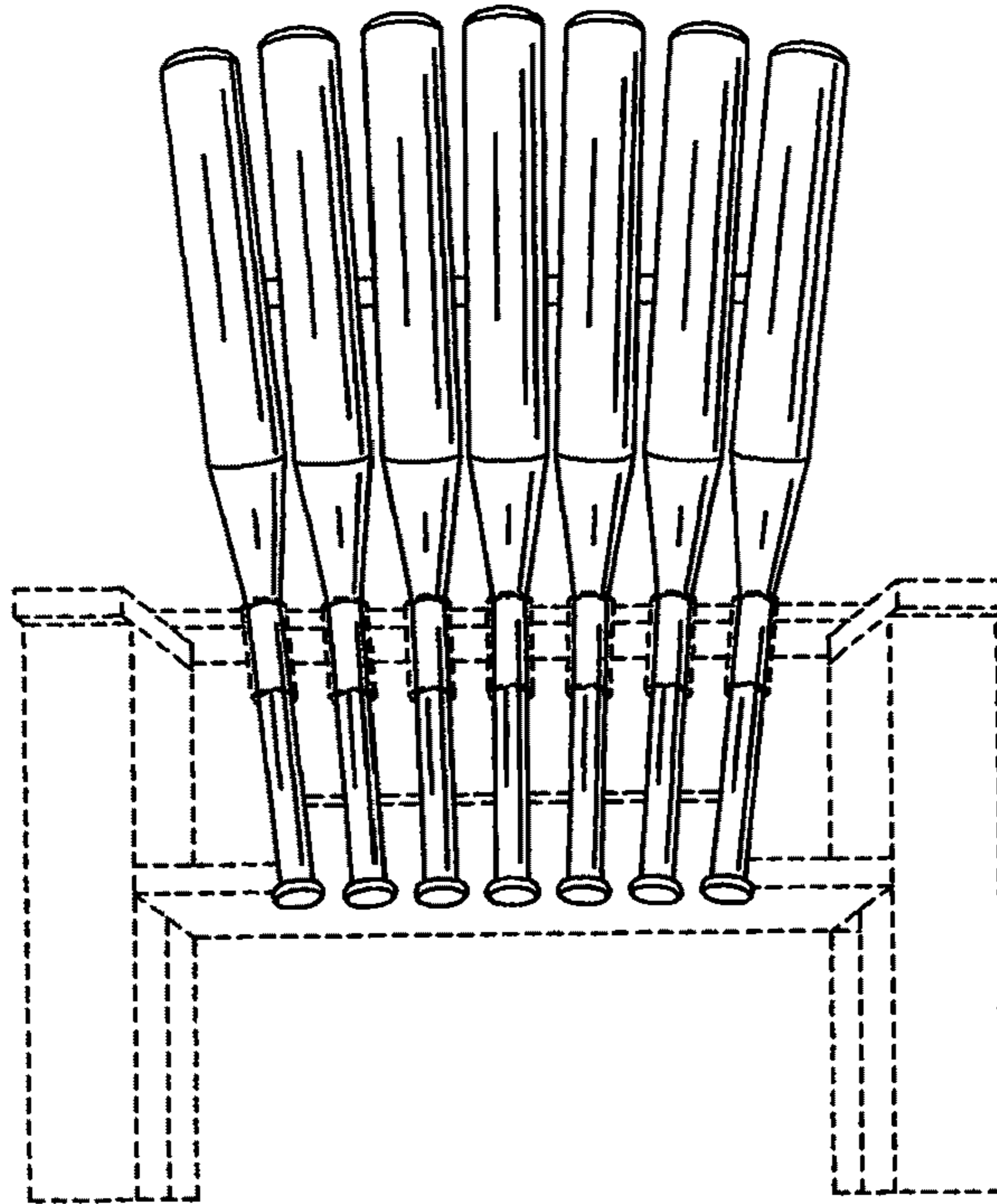


FIG 5

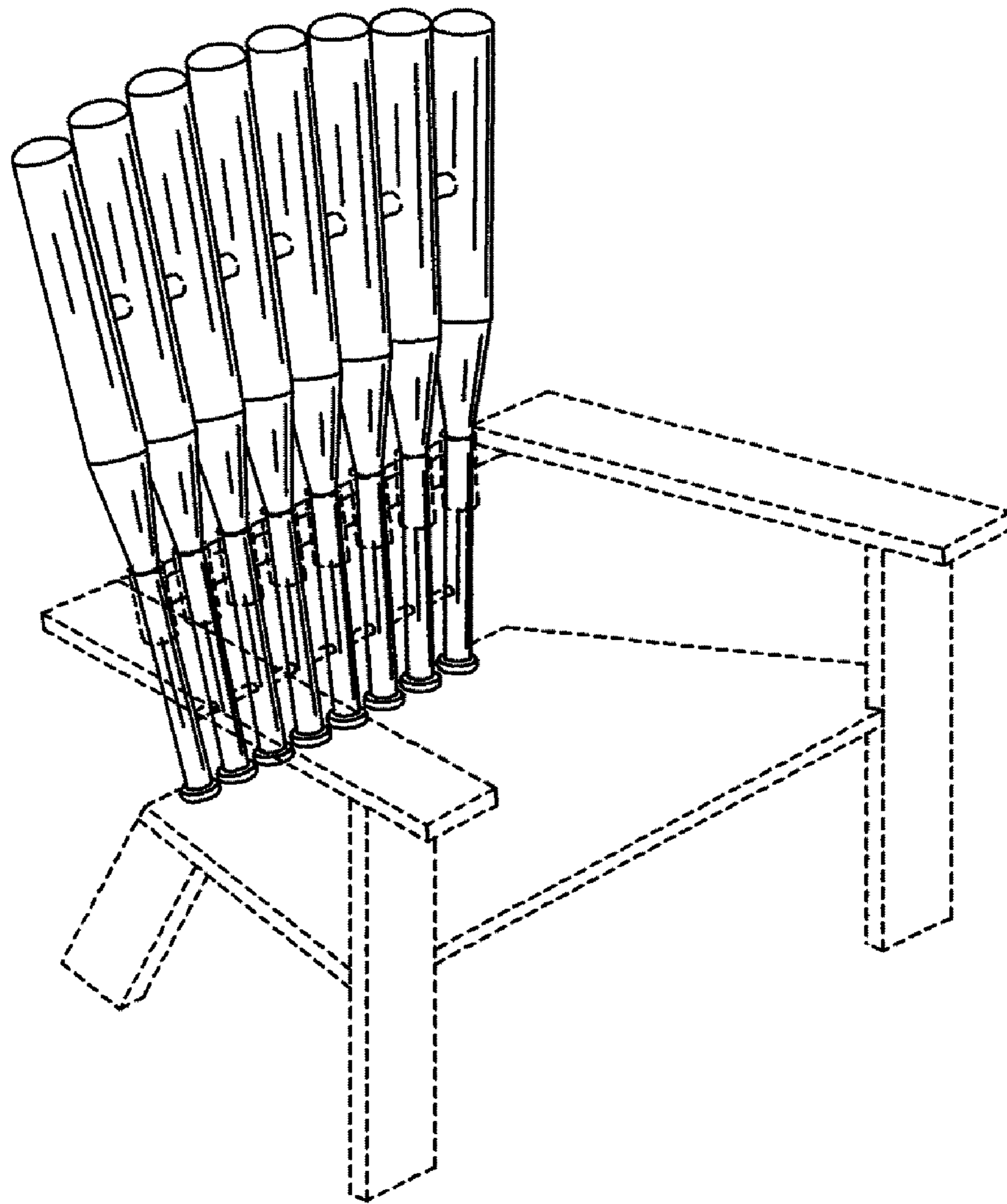


FIG 6

FIG 7

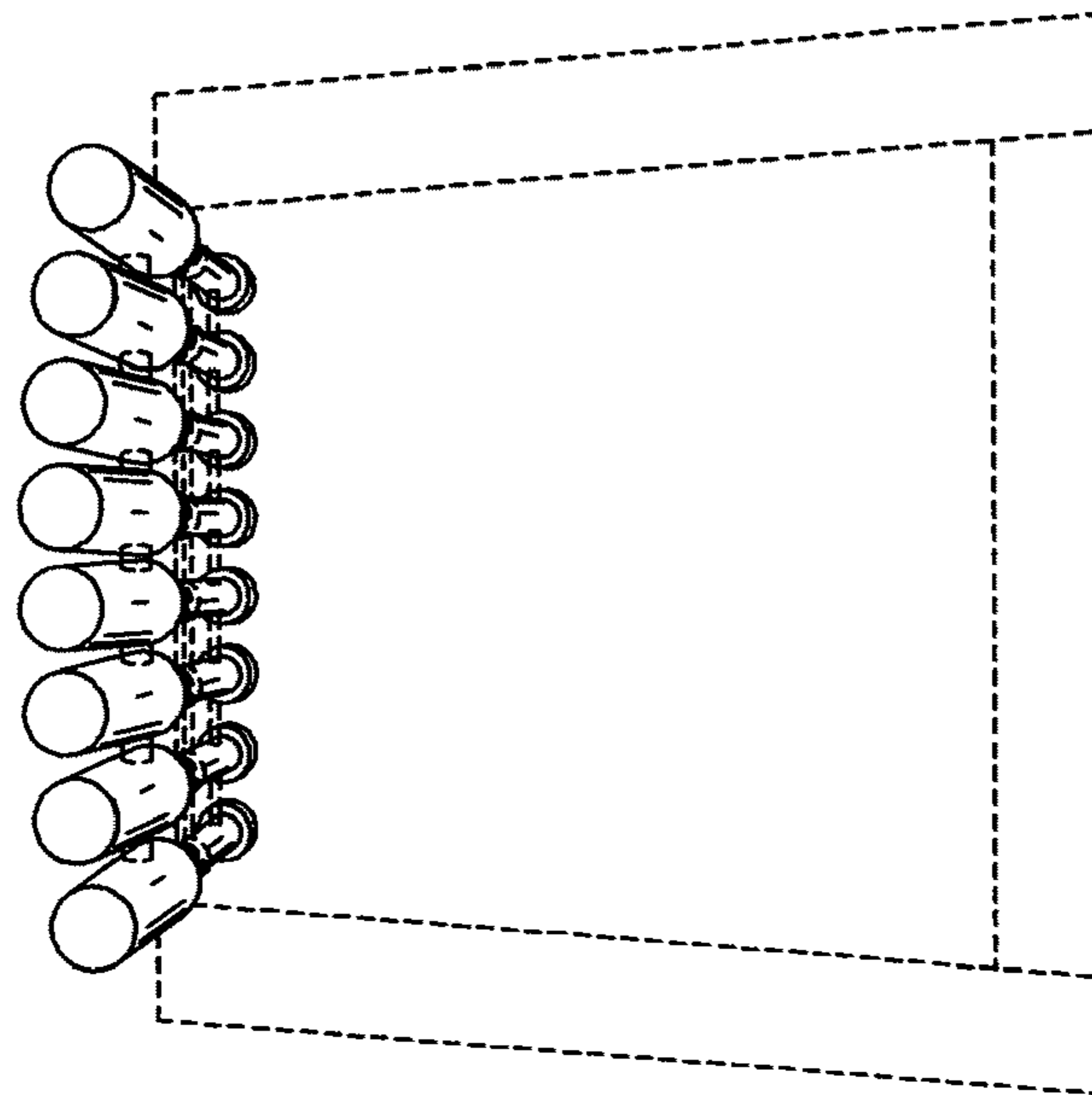
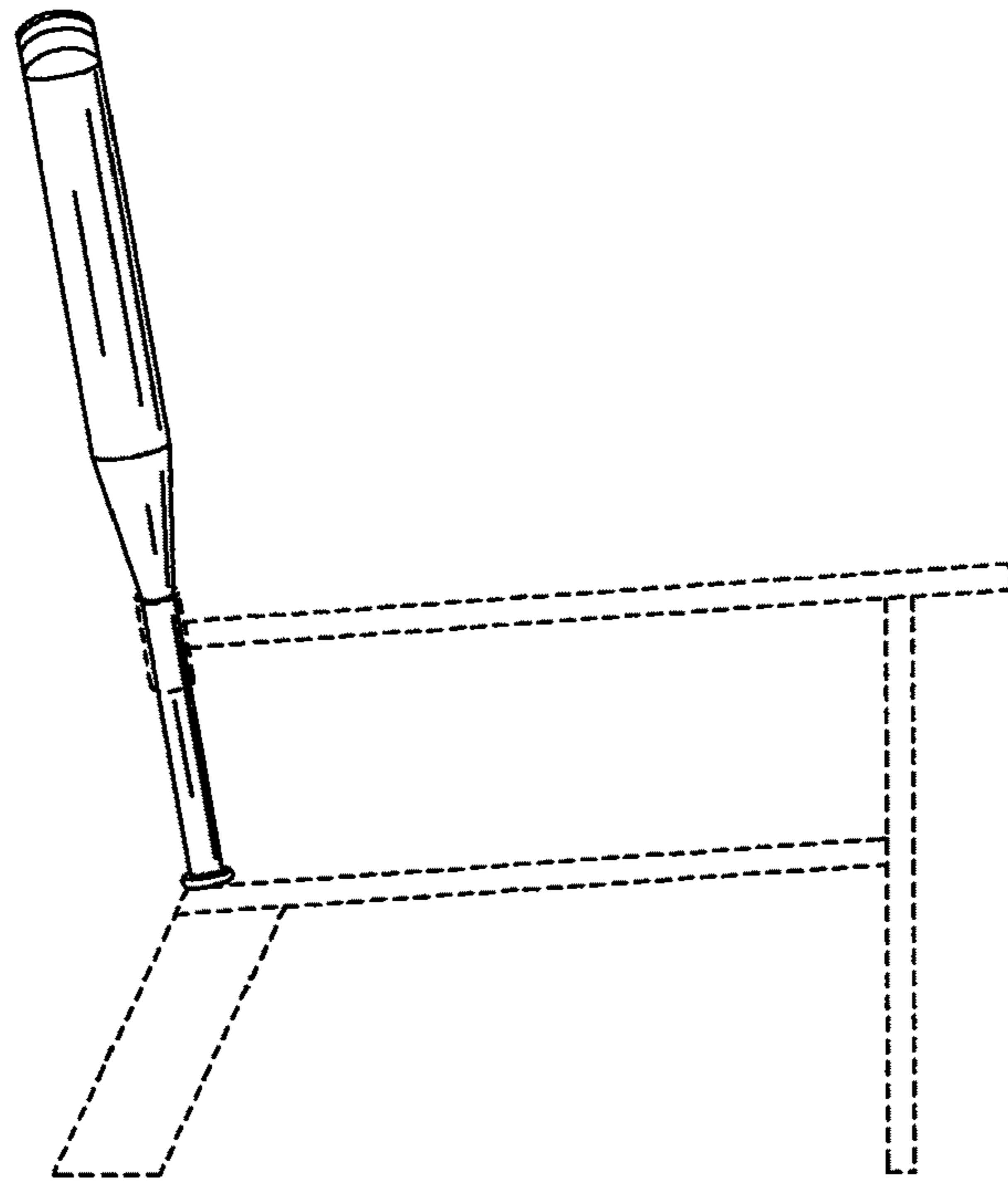


FIG 8

FIG 9

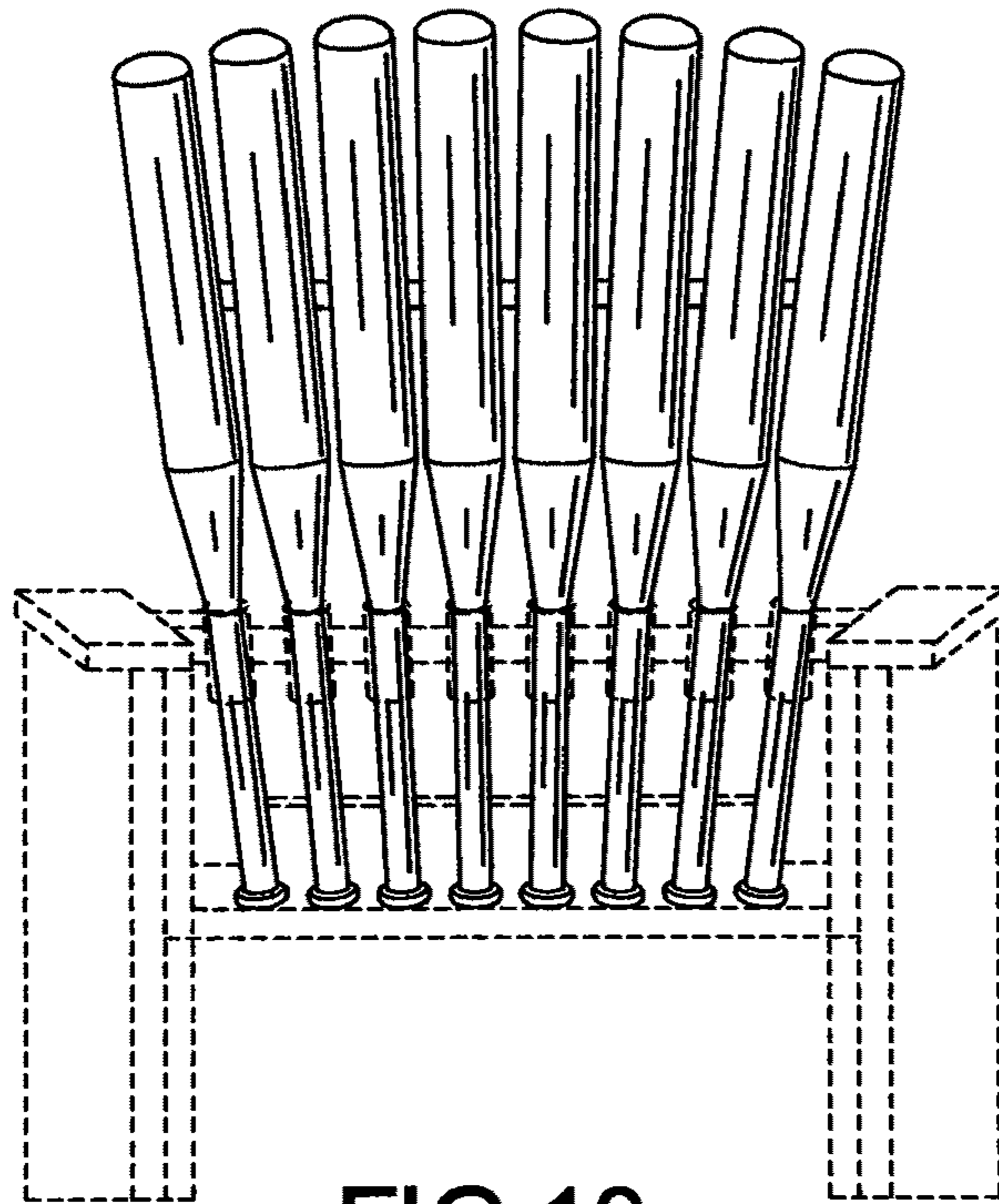
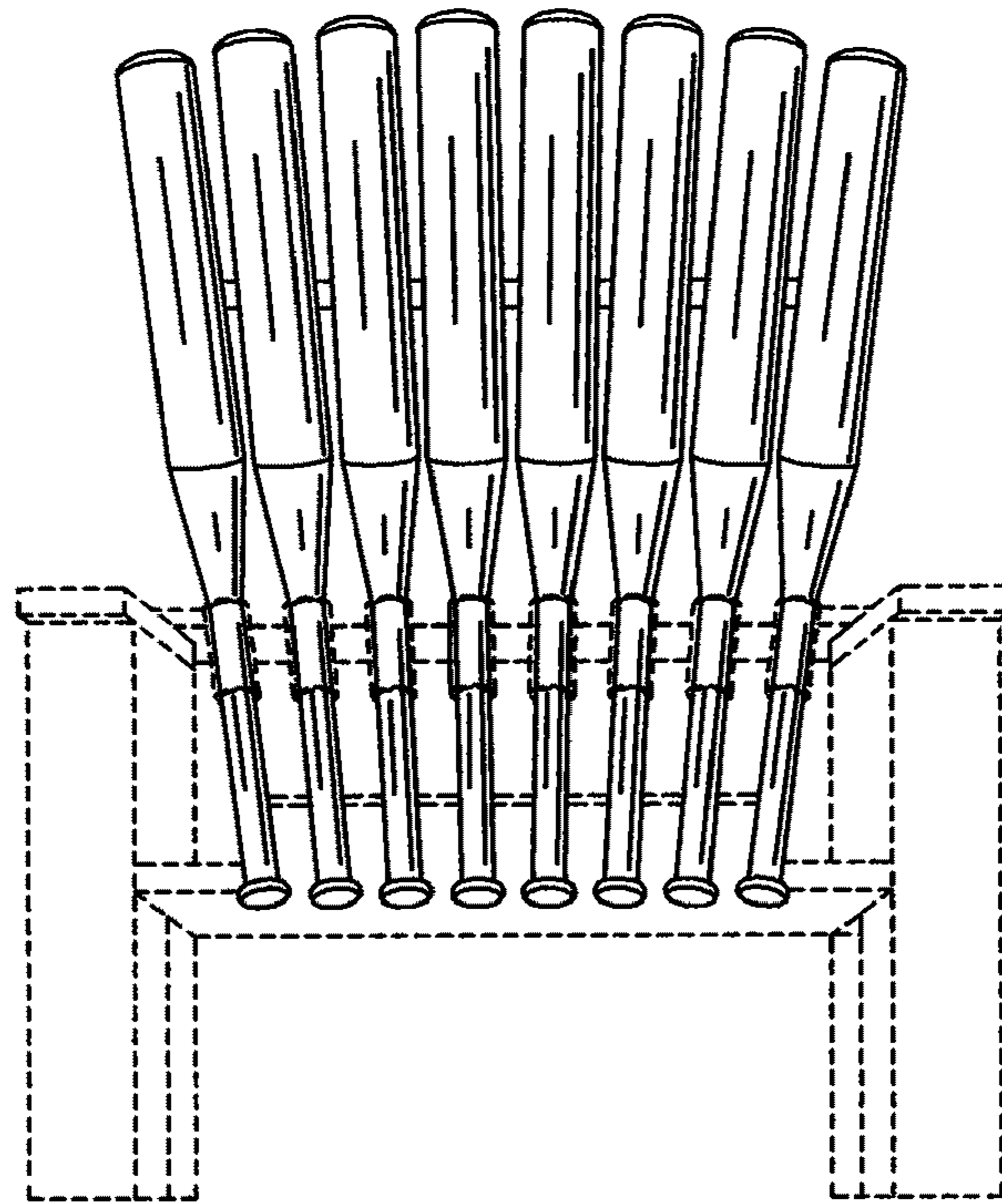


FIG 10