



US00D649815S

(12) **United States Design Patent**
Costaglia

(10) **Patent No.:** **US D649,815 S**

(45) **Date of Patent:** **** Dec. 6, 2011**

(54) **CHAIR MECHANISM J-BAR COUPLER**

(75) **Inventor:** **Massimo Costaglia**, Santa Giustina in Colle (IT)

(73) **Assignee:** **L&P Property Management Company**, Southgate, CA (US)

(**) **Term:** **14 Years**

(21) **Appl. No.:** **29/363,801**

(22) **Filed:** **Jun. 14, 2010**

(51) **LOC (9) Cl.** **06-01**

(52) **U.S. Cl.** **D6/500**

(58) **Field of Classification Search** D6/310,
D6/334-336, 348, 358-381, 500-502; 297/31,
297/239, 271.6, 11.2, 300.1-300.8, 301.2-301.7,
297/303.3-303.5, 344.19, 411.27, 411.28,
297/440.13, 440.15, 445.1, 446.1, 446.2,
297/452.13, 452.18, 463.1

See application file for complete search history.

(56) **References Cited**

U.S. PATENT DOCUMENTS

D285,633	S	*	9/1986	Doerner	D6/500
D290,073	S	*	6/1987	Doerner	D6/500
D292,459	S	*	10/1987	Doerner	D6/500
D433,852	S	*	11/2000	Zhou	D6/500
D447,652	S	*	9/2001	Beggs	D6/500
D450,957	S	*	11/2001	Asbjørnsen	D6/500
D464,831	S	*	10/2002	Patton	D6/500
D468,940	S	*	1/2003	Chen	D6/500
D473,737	S	*	4/2003	Klaesener et al.	D6/500
D479,066	S	*	9/2003	Klaesener et al.	D6/500
D479,927	S	*	9/2003	Hobb	D6/500
D479,928	S	*	9/2003	Klaesener et al.	D6/500
D549,016	S	*	8/2007	Donati	D6/500
D550,989	S	*	9/2007	Donati	D6/500
D550,990	S	*	9/2007	Donati	D6/500
D550,991	S	*	9/2007	Donati	D6/500
D553,885	S	*	10/2007	Matern	D6/500
D557,946	S	*	12/2007	Matern et al.	D6/500
D573,815	S	*	7/2008	Matern	D6/500

D578,326	S	*	10/2008	Donati	D6/500
D579,241	S	*	10/2008	Breen	D6/500
D582,704	S	*	12/2008	Donati	D6/500
D582,705	S	*	12/2008	Donati	D6/500
D599,586	S	*	9/2009	Moreschi	D6/500
2002/0163242	A1	*	11/2002	Beggs	297/463.1
2004/0227387	A1	*	11/2004	Matern et al.	297/344.19

* cited by examiner

Primary Examiner — Ricky Pham

(74) *Attorney, Agent, or Firm* — Shook, Hardy & Bacon L.L.P.

(57) **CLAIM**

The ornamental design for a chair mechanism J-bar coupler, as shown and described.

DESCRIPTION

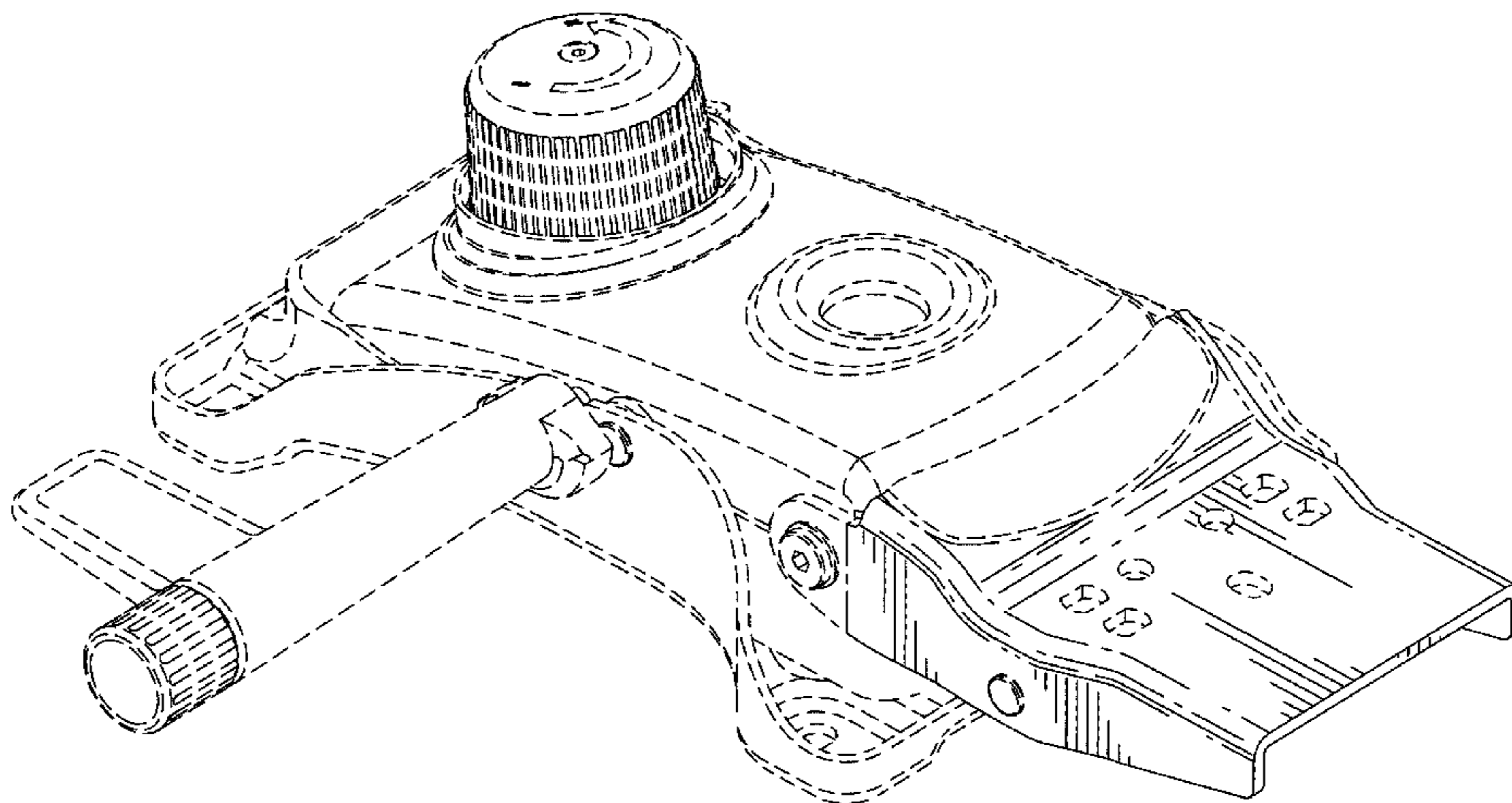
FIG. 1 is a top perspective view of a J-bar coupler of a chair mechanism of the present invention; FIG. 2 is a left side elevation view thereof; FIG. 3 is a right side elevation view thereof; FIG. 4 is a front side elevation view thereof; and, FIG. 5 is a top plan view thereof.

A rear side elevation view and a bottom plan view have been omitted as they do not form a portion of the claimed design. The evenly spaced broken lines shown in the drawings are directed to environment, are for informational purposes only, and form no part of the claimed design.

The long and short broken lines are boundary lines which define the bounds of the claimed design. These boundaries do not exist in reality in the article embodying the design. It is understood that the claimed design extends to these boundaries but does not include the boundaries.

The surface shading lines on the claimed portion are provided only to indicate the character and/or any contour or curvature of the surfaces. They do not indicate color, texture, markings that actually exist thereon, indicia, graphic representations, surface treatment, or any other ornamentation applied to the article.

1 Claim, 4 Drawing Sheets



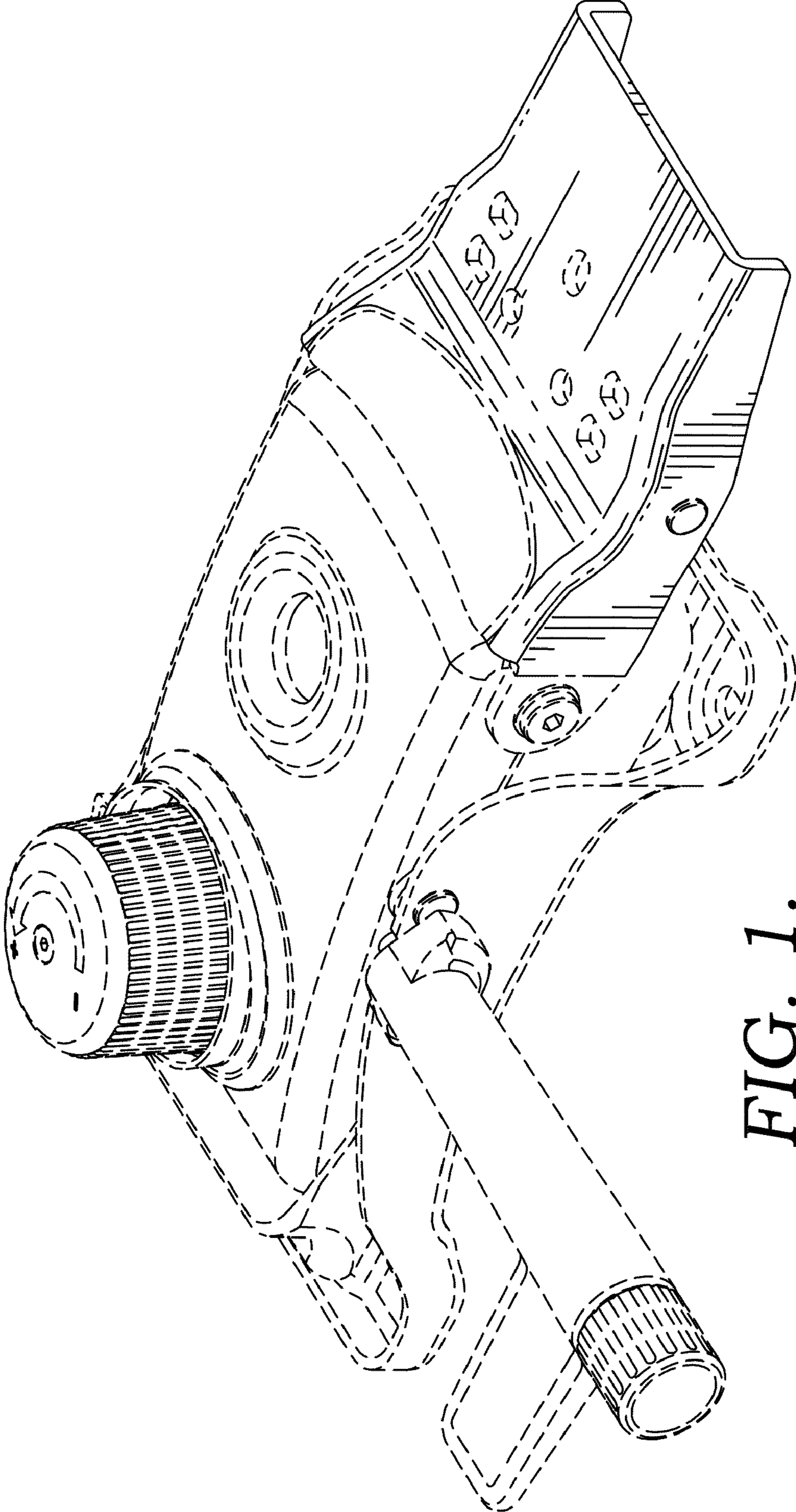


FIG. 1.

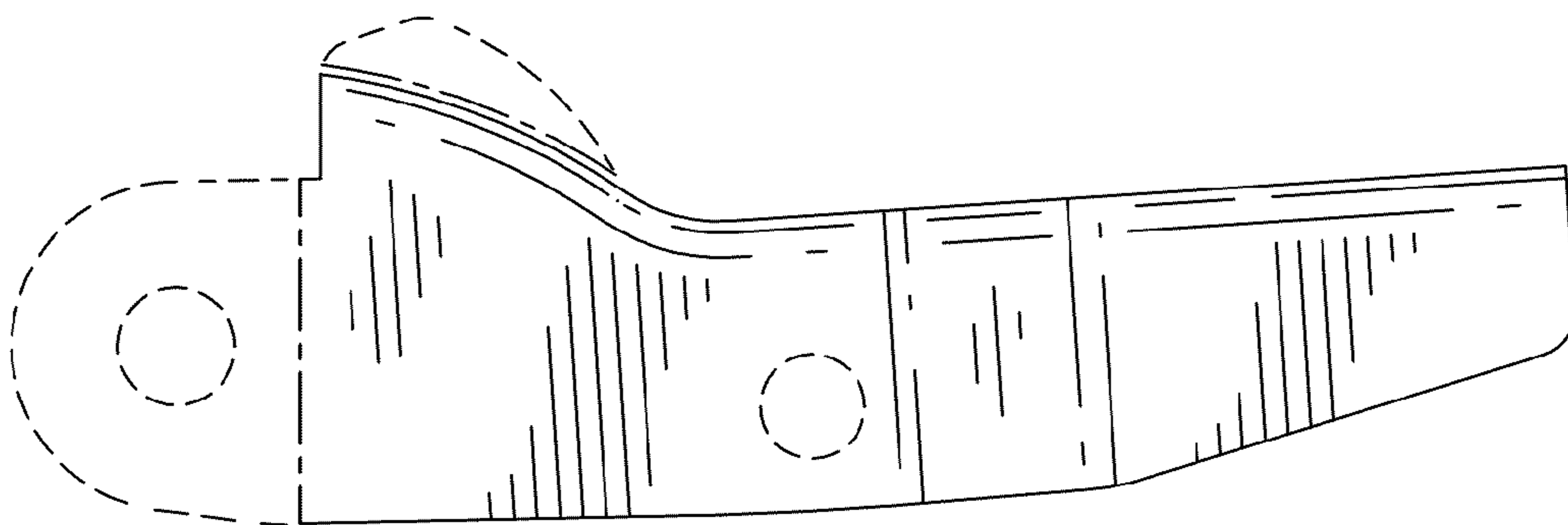


FIG. 2.

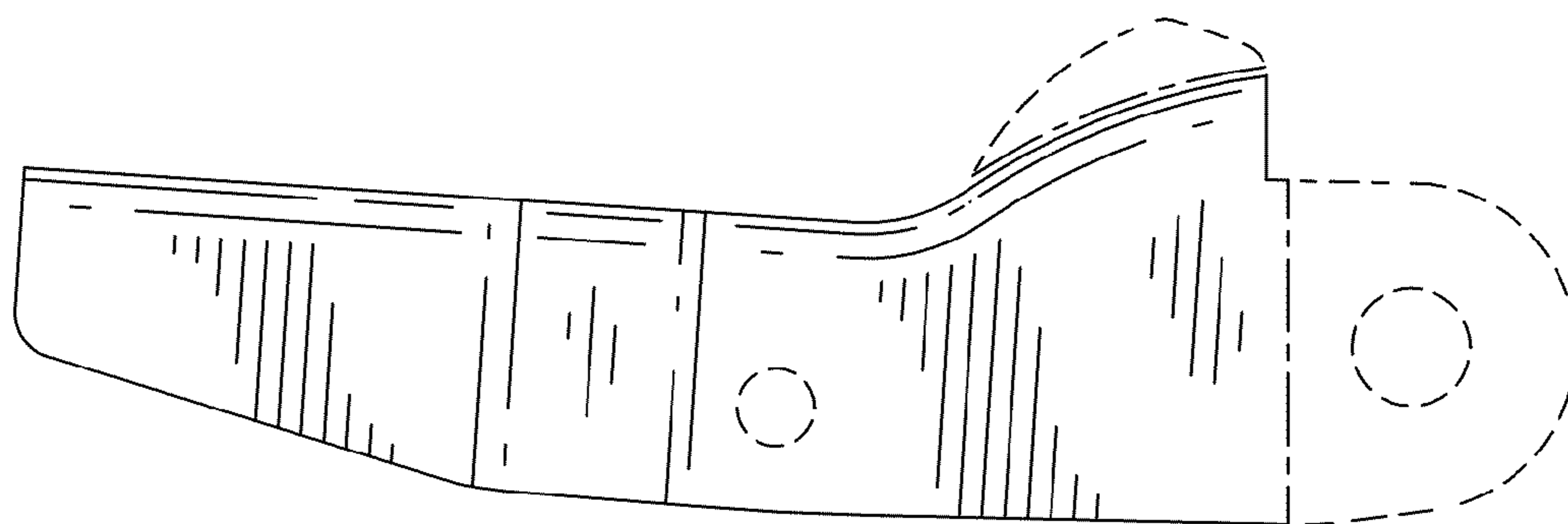


FIG. 3.

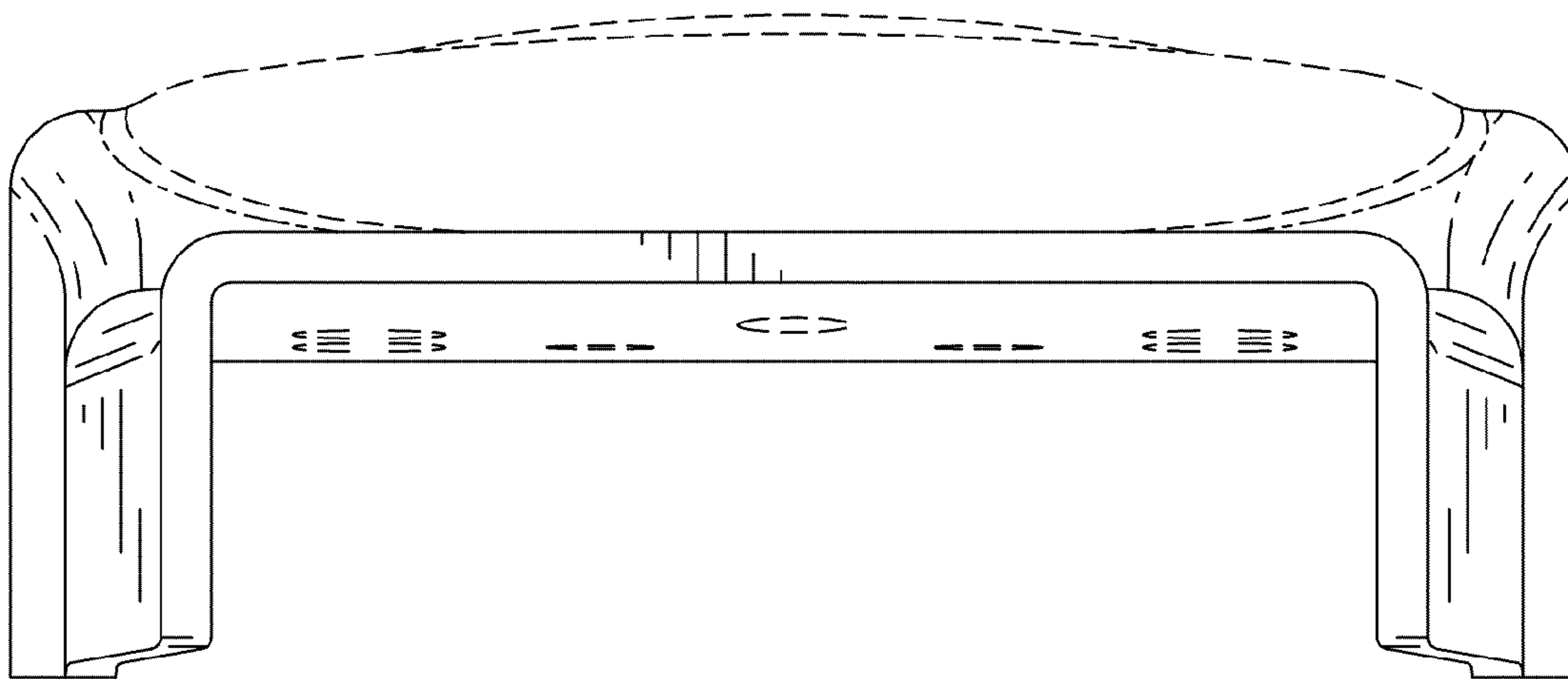


FIG. 4.

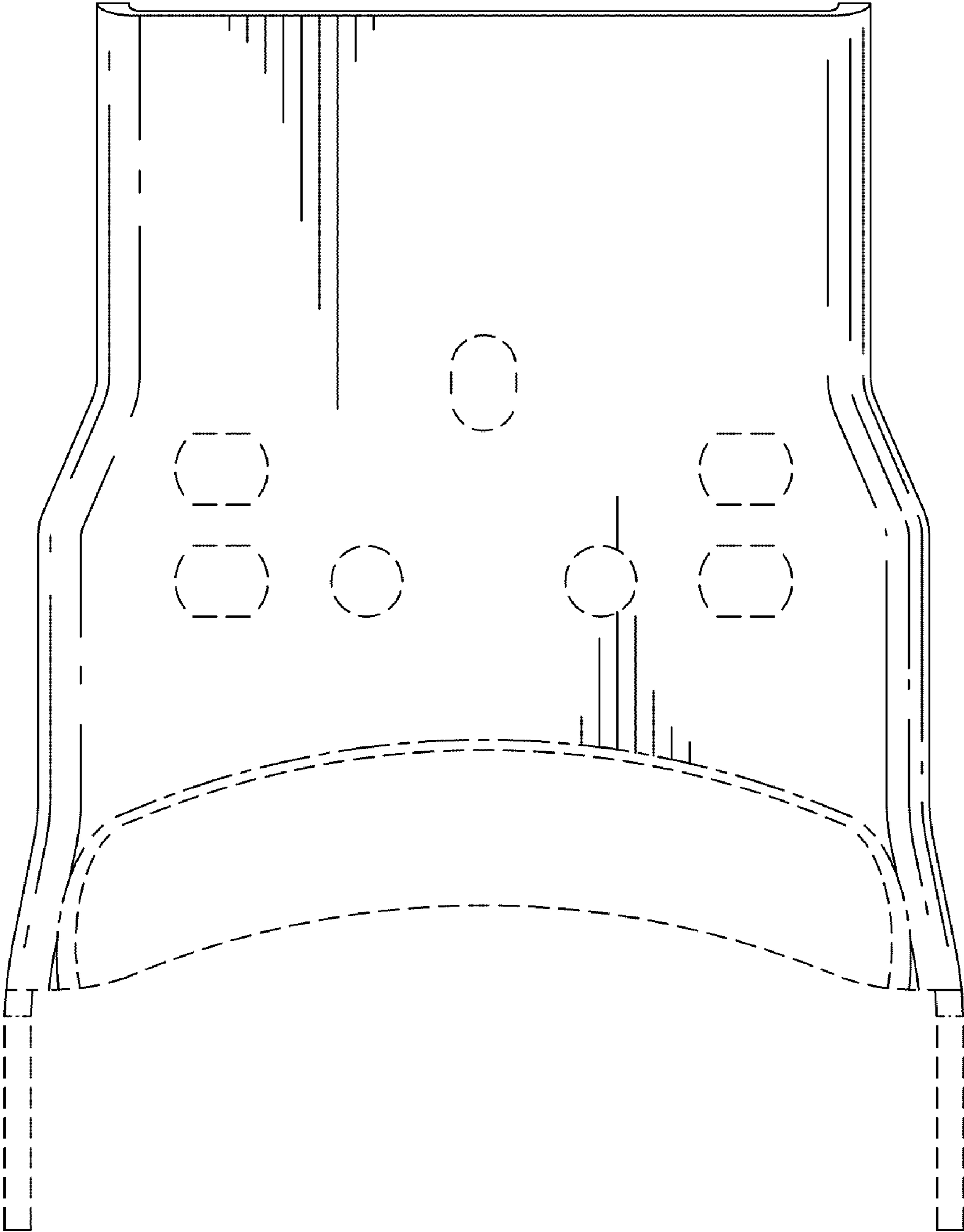


FIG. 5.