

US00D649811S

(12) **United States Design Patent**
Martin et al.

(10) **Patent No.:** **US D649,811 S**
(45) **Date of Patent:** **** Dec. 6, 2011**

(54) **WORKSPACE**

(75) Inventors: **Kirt Martin**, Alto, MI (US); **David Eberlein**, Hudsonville, MI (US)

(73) Assignee: **Steelcase Inc.**, Grand Rapids, MI (US)

(**) Term: **14 Years**

(21) Appl. No.: **29/362,963**

(22) Filed: **Jun. 2, 2010**

(51) **LOC (9) Cl.** **06-03**

(52) **U.S. Cl.** **D6/484**

(58) **Field of Classification Search** D6/480-489,
D6/429-431, 495-499, 422, 423; 108/150,
108/155, 156, 157.1, 161; 248/188, 188.1,
248/188.8

See application file for complete search history.

(56) **References Cited**

U.S. PATENT DOCUMENTS

543,053 A	7/1895	Ripking	
983,903 A	2/1911	Horton	
2,110,466 A	3/1938	Louis	
2,903,316 A	9/1959	Schmidt	
3,170,742 A	2/1965	Berkowitz	
D210,606 S *	3/1968	Hamilton	D6/484
3,570,682 A	3/1971	Elliott	
D221,238 S *	7/1971	Gianfagna	D6/484
3,680,942 A	8/1972	Davis	
3,827,377 A	8/1974	Aughtry, Jr.	
3,892,189 A	7/1975	Killam	
3,913,498 A	10/1975	Hall et al.	
4,138,952 A	2/1979	Hodson	
4,297,952 A	11/1981	Zagaroli	
4,422,385 A	12/1983	Rutsche et al.	
4,734,826 A	3/1988	Wilson	
4,761,931 A	8/1988	Schrunk	
4,762,072 A	8/1988	Boundy et al.	
4,951,782 A	8/1990	Hanson	
D312,541 S *	12/1990	Wright	D6/484
D322,133 S	12/1991	Corneau et al.	
5,078,055 A	1/1992	Bellini et al.	

5,103,741 A	4/1992	Grund et al.	
5,220,871 A	6/1993	Grund et al.	
5,322,022 A	6/1994	Burkholder	
5,323,695 A *	6/1994	Borgman et al.	108/147
5,341,749 A	8/1994	Noakes	
5,469,794 A	11/1995	Laderoute et al.	
D371,703 S	7/1996	Muller-Deisig et al.	

(Continued)

FOREIGN PATENT DOCUMENTS

DE 19733435 4/1999

(Continued)

OTHER PUBLICATIONS

U.S. Patent Office Notice of Allowance for U.S. Appl. No. 29/362,943, dated May 18, 2011.

(Continued)

Primary Examiner — Janice Seeger

(74) Attorney, Agent, or Firm — Quarles & Brady LLP

(57) **CLAIM**

The ornamental design for a workspace, as shown and described.

DESCRIPTION

FIG. 1 is a left, top, front perspective view of a workspace embodying our new design, shown with additional work environment in phantom;

FIG. 2 is a top plan view thereof;

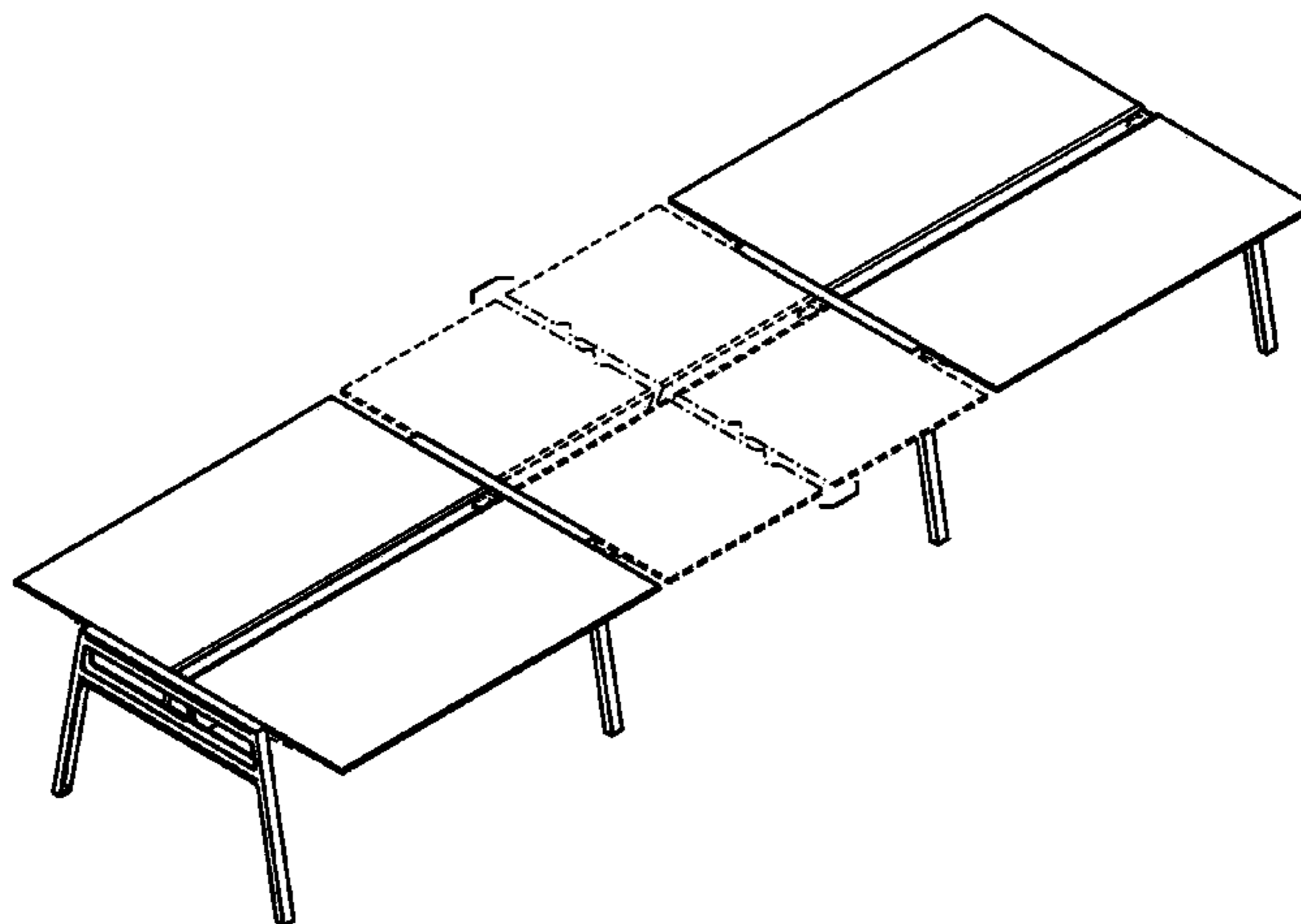
FIG. 3 is a front elevational view thereof, the rear elevational view thereof being a mirror image of the front view shown;

FIG. 4 is a left side elevational view thereof, the right side elevational view thereof being a mirror image of the left side shown; and,

FIG. 5 is bottom plan view thereof.

The broken line representations in the figures are for the purpose of illustration only, and form no part of the claimed design.

1 Claim, 5 Drawing Sheets



US D649,811 S

Page 2

U.S. PATENT DOCUMENTS

D379,278 S 5/1997 Zeinfeld et al.
D379,887 S 6/1997 Muller-Deisig et al.
5,662,298 A * 9/1997 Collins 248/188.1
5,754,995 A 5/1998 Behrendt
5,881,500 A 3/1999 Latino et al.
6,000,343 A 12/1999 Laney
6,059,071 A 5/2000 Appezzato
6,129,180 A 10/2000 Brady
6,161,486 A 12/2000 Boots
6,283,043 B1 9/2001 Stern et al.
6,302,035 B1 10/2001 Frenkler et al.
6,336,414 B1 1/2002 Stewart et al.
D460,639 S * 7/2002 Crinion D6/480
D467,453 S * 12/2002 Kwon D6/499
6,725,784 B2 4/2004 Crinion
7,370,907 B2 5/2008 Leong
D585,218 S 1/2009 Hamilton et al.
D604,063 S 11/2009 Oshinomi et al.
7,703,398 B2 4/2010 Brauning
D641,186 S 7/2011 Martin et al.
2004/0021830 A1 3/2004 Brauning et al.
2005/0115768 A1 6/2005 Frey

2005/0263041 A1 12/2005 Mueller et al.
2006/0042520 A1 3/2006 Stevens et al.
2006/0162626 A1 7/2006 Brauning et al.
2008/0224580 A1 9/2008 Gibbs et al.
2008/0295745 A1 12/2008 Hamilton et al.
2009/0042428 A1 2/2009 Henriott et al.

FOREIGN PATENT DOCUMENTS

JP 2004-275314 10/2004
WO 2005-001219 A2 1/2005
WO 2009-052656 4/2009

OTHER PUBLICATIONS

U.S. Appl. No. 29/362,944, filed Jun. 2, 2010.
U.S. Appl. No. 29/362,948, filed Jun. 2, 2010.
U.S. Appl. No. 29/362,952, filed Jun. 2, 2010.
U.S. Patent Office Non-Final Rejection for U.S. Appl. No.
29/362,952, dated Jul. 13, 2011.
U.S. Appl. No. 29/362,955, filed Jun. 2, 2010.
U.S. Appl. No. 29/362,958, filed Jun. 2, 2010.

* cited by examiner

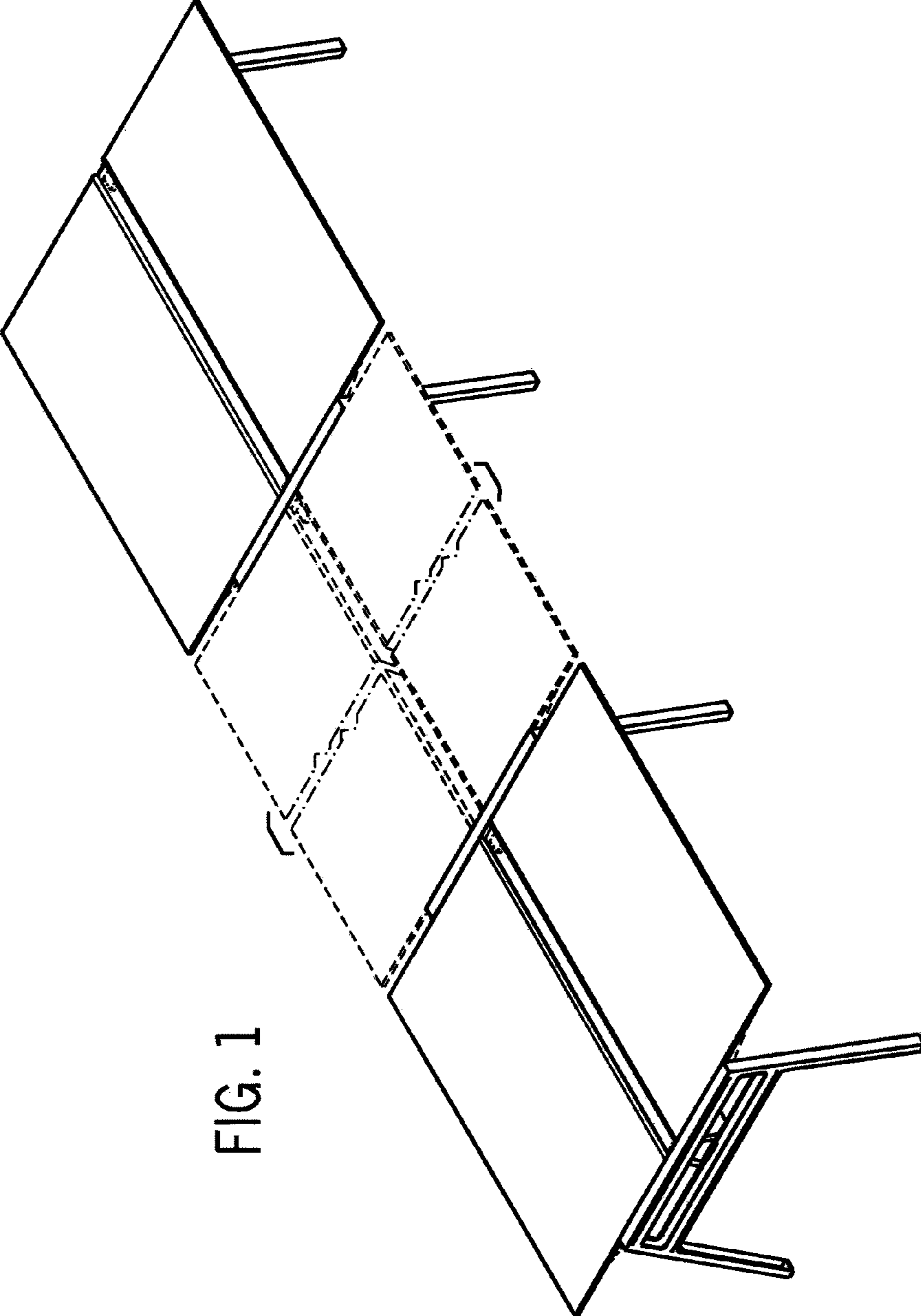


FIG. 1

FIG. 2

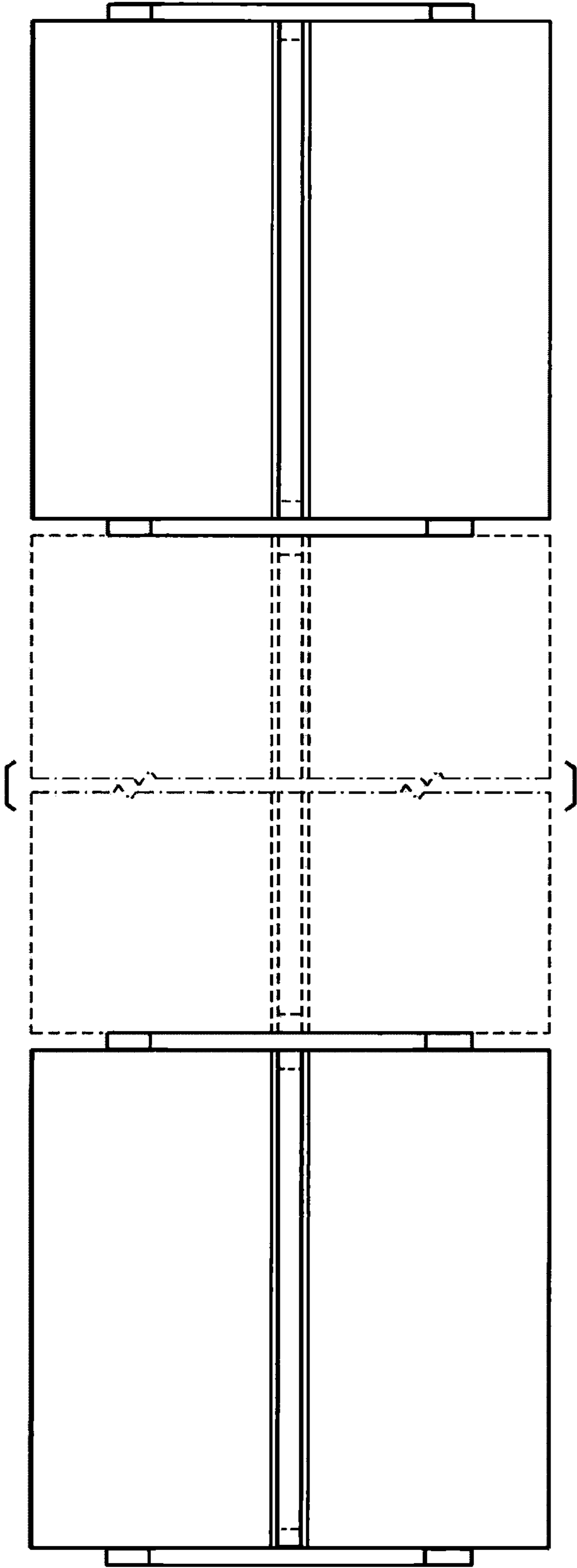


FIG. 3

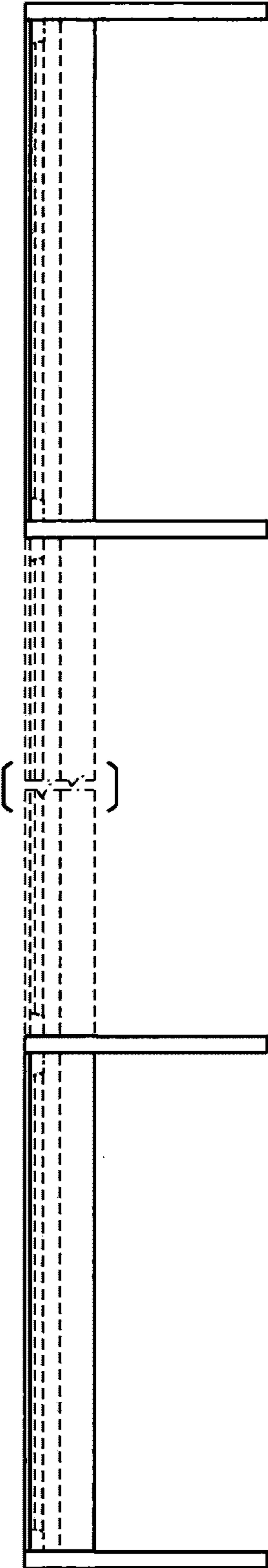


FIG. 4

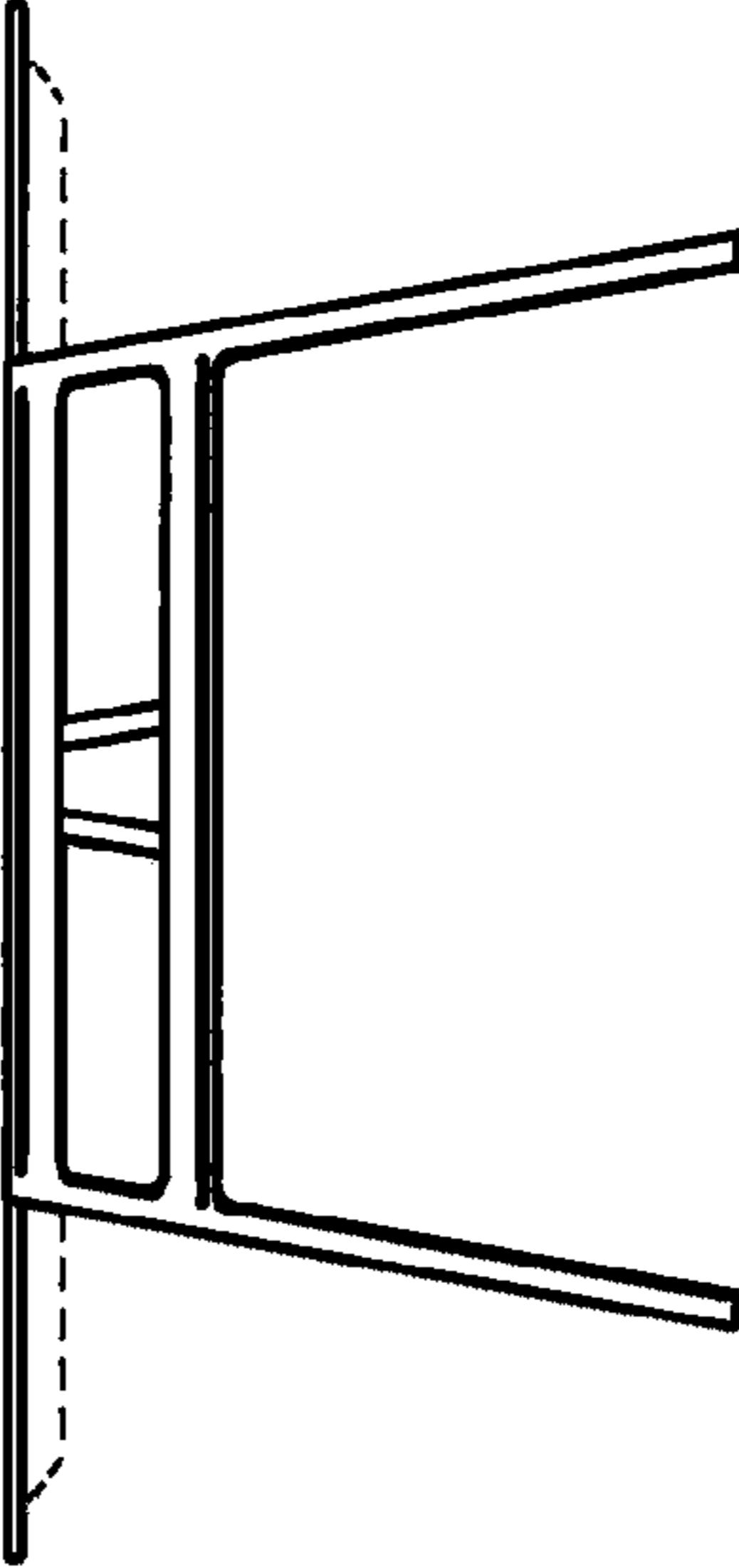


FIG. 5

