

US00D649810S

(12) **United States Design Patent**  
**Martin et al.**

(10) **Patent No.:** **US D649,810 S**  
(45) **Date of Patent:** **\*\* Dec. 6, 2011**

(54) **PORTION OF A WORKSPACE**  
(75) Inventors: **Kirt Martin**, Alto, MI (US); **David Eberlein**, Hudsonville, MI (US)  
(73) Assignee: **Steelcase Inc.**, Grand Rapids, MI (US)  
(\*\*) Term: **14 Years**

5,078,055 A 1/1992 Bellini et al.  
5,103,741 A 4/1992 Grund et al.  
5,220,871 A 6/1993 Grund et al.  
5,322,022 A 6/1994 Burkholder  
5,323,695 A \* 6/1994 Borgman et al. .... 108/147  
5,341,749 A 8/1994 Noakes  
5,469,794 A 11/1995 Laderoute et al.  
(Continued)

(21) Appl. No.: **29/362,952**  
(22) Filed: **Jun. 2, 2010**

FOREIGN PATENT DOCUMENTS  
DE 19733435 4/1999  
(Continued)

(51) **LOC (9) Cl.** ..... **06-06**  
(52) **U.S. Cl.** ..... **D6/484; D6/511; D6/495**  
(58) **Field of Classification Search** ..... D6/480-489,  
D6/429-431, 495-499, 422, 423; 108/150,  
108/155, 156, 157.1, 161; 248/188, 188.1,  
248/188.8

OTHER PUBLICATIONS  
U. S. Patent Office Notice of Allowance for U.S. Appl. No.  
29/362,943, dated May 18, 2011.  
(Continued)

See application file for complete search history.

*Primary Examiner* — Janice Seeger  
(74) *Attorney, Agent, or Firm* — Quarles & Brady LLP

(56) **References Cited**

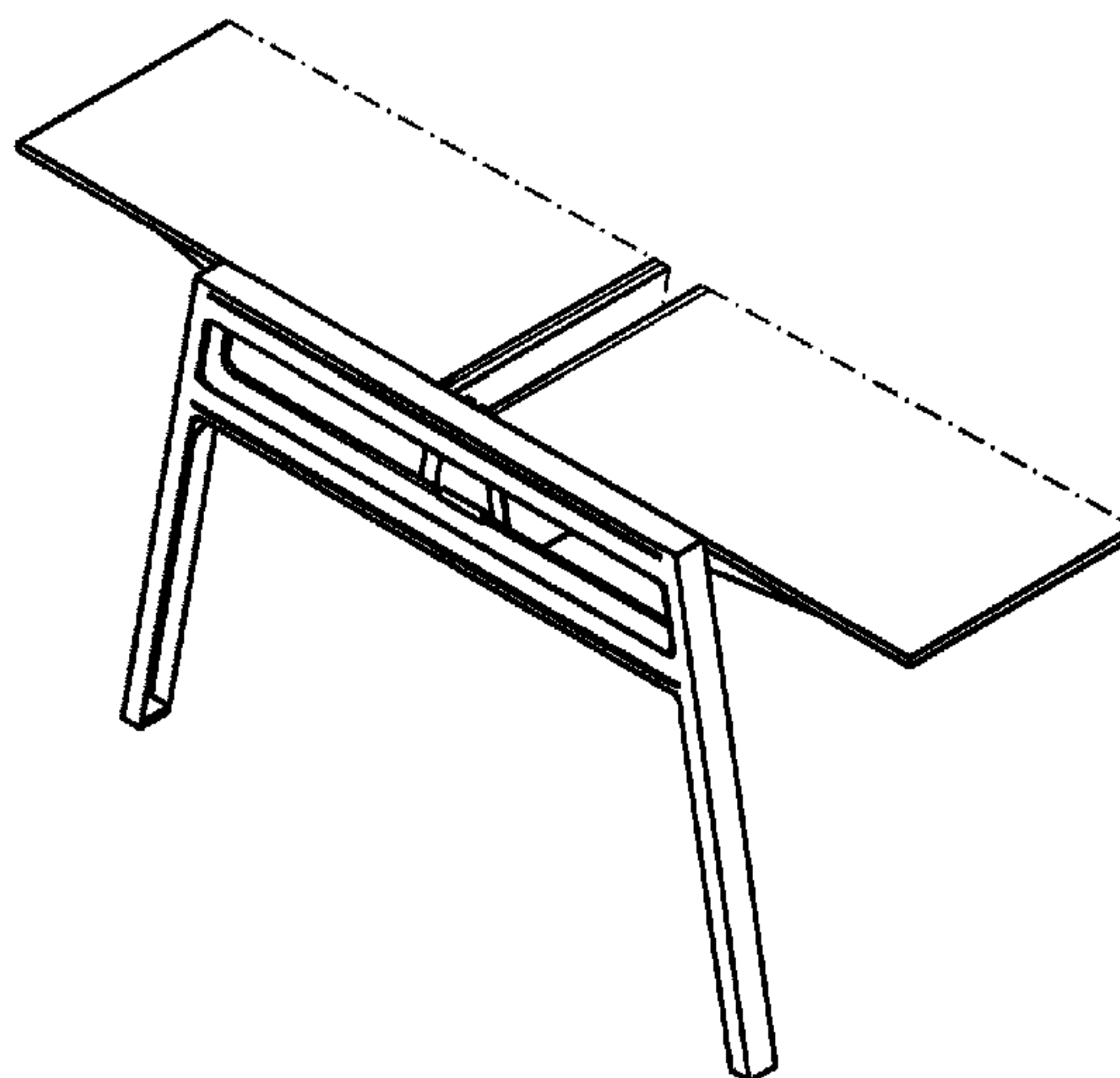
U.S. PATENT DOCUMENTS		
0,543,053 A	7/1895	Ripking
983,903 A	2/1911	Horton
2,110,466 A	3/1938	Louis
2,903,316 A	9/1959	Schmidt
3,170,742 A	2/1965	Berkowitz
D210,606 S *	3/1968	Hamilton ..... D6/484
3,570,682 A	3/1971	Elliott
D221,238 S *	7/1971	Gianfagna ..... D6/484
3,680,942 A	8/1972	Davis
3,827,377 A	8/1974	Aughtry, Jr.
3,892,189 A	7/1975	Killam
3,913,498 A	10/1975	Hall et al.
4,138,952 A	2/1979	Hodson
4,297,952 A	11/1981	Zagaroli
4,422,385 A	12/1983	Rutsche et al.
4,734,826 A	3/1988	Wilson
4,761,931 A	8/1988	Schrunk
4,762,072 A	8/1988	Boundy et al.
4,951,782 A	8/1990	Hanson
D312,541 S *	12/1990	Wright ..... D6/484
D322,133 S	12/1991	Corneau et al.

(57) **CLAIM**  
The ornamental design for a portion of a workspace, as shown and described.

**DESCRIPTION**

FIG. 1 is a left, top, front perspective view of a portion of a workspace embodying our new design;  
FIG. 2 is a top plan view thereof;  
FIG. 3 is a left side elevational view thereof;  
FIG. 4 is a front elevational view thereof, the rear elevational view thereof being a mirror image of the front view shown;  
FIG. 5 is bottom plan view thereof; and,  
FIG. 6 is a right side elevational view thereof.  
The broken line representations in the figures are for the purpose of illustration only, and form no part of the claimed design.

**1 Claim, 4 Drawing Sheets**



# US D649,810 S

Page 2

## U.S. PATENT DOCUMENTS

D371,703 S 7/1996 Muller-Deisig et al.  
D379,278 S 5/1997 Zeinfeld et al.  
D379,887 S 6/1997 Muller-Deisig et al.  
5,662,298 A \* 9/1997 Collins ..... 248/188.1  
5,754,995 A 5/1998 Behrendt  
5,881,500 A 3/1999 Latino et al.  
6,000,343 A 12/1999 Laney  
6,059,071 A 5/2000 Appezzato  
6,129,180 A 10/2000 Brady  
6,161,486 A 12/2000 Boots  
6,283,043 B1 9/2001 Stern et al.  
6,302,035 B1 10/2001 Frenkler et al.  
6,336,414 B1 1/2002 Stewart et al.  
D460,639 S 7/2002 Crinion  
D467,453 S \* 12/2002 Kwon ..... D6/499  
6,725,784 B2 4/2004 Crinion  
7,370,907 B2 5/2008 Leong  
D585,218 S 1/2009 Hamilton et al.  
D604,063 S 11/2009 Oshinomi et al.  
7,703,398 B2 4/2010 Brauning  
D641,186 S 7/2011 Martin et al.  
2005/0115768 A1 6/2005 Frey

2005/0263041 A1 12/2005 Mueller et al.  
2006/0042520 A1 3/2006 Stevens et al.  
2006/0162626 A1 7/2006 Brauning et al.  
2008/0224580 A1 9/2008 Gibbs et al.  
2008/0295745 A1 12/2008 Hamilton et al.  
2009/0042428 A1 2/2009 Henriott et al.

## FOREIGN PATENT DOCUMENTS

JP 2004-275314 3/2003  
WO WO2004021830 3/2004  
WO 2005-001219 A2 1/2005  
WO 2009-052656 4/2009

## OTHER PUBLICATIONS

U.S. Appl. No. 29/362,944, filed Jun. 2, 2010.  
U.S. Appl. No. 29/362,948, filed Jun. 2, 2010.  
U.S. Appl. No. 29/362,955, filed Jun. 2, 2010.  
U.S. Appl. No. 29/362,958, filed Jun. 2, 2010.  
U.S. Appl. No. 29/362,963, filed Jun. 2, 2010.  
U. S. Patent Office Non-Final Rejection for U.S. Appl. No.  
29/362,963, dated Jul. 13, 2011.

\* cited by examiner

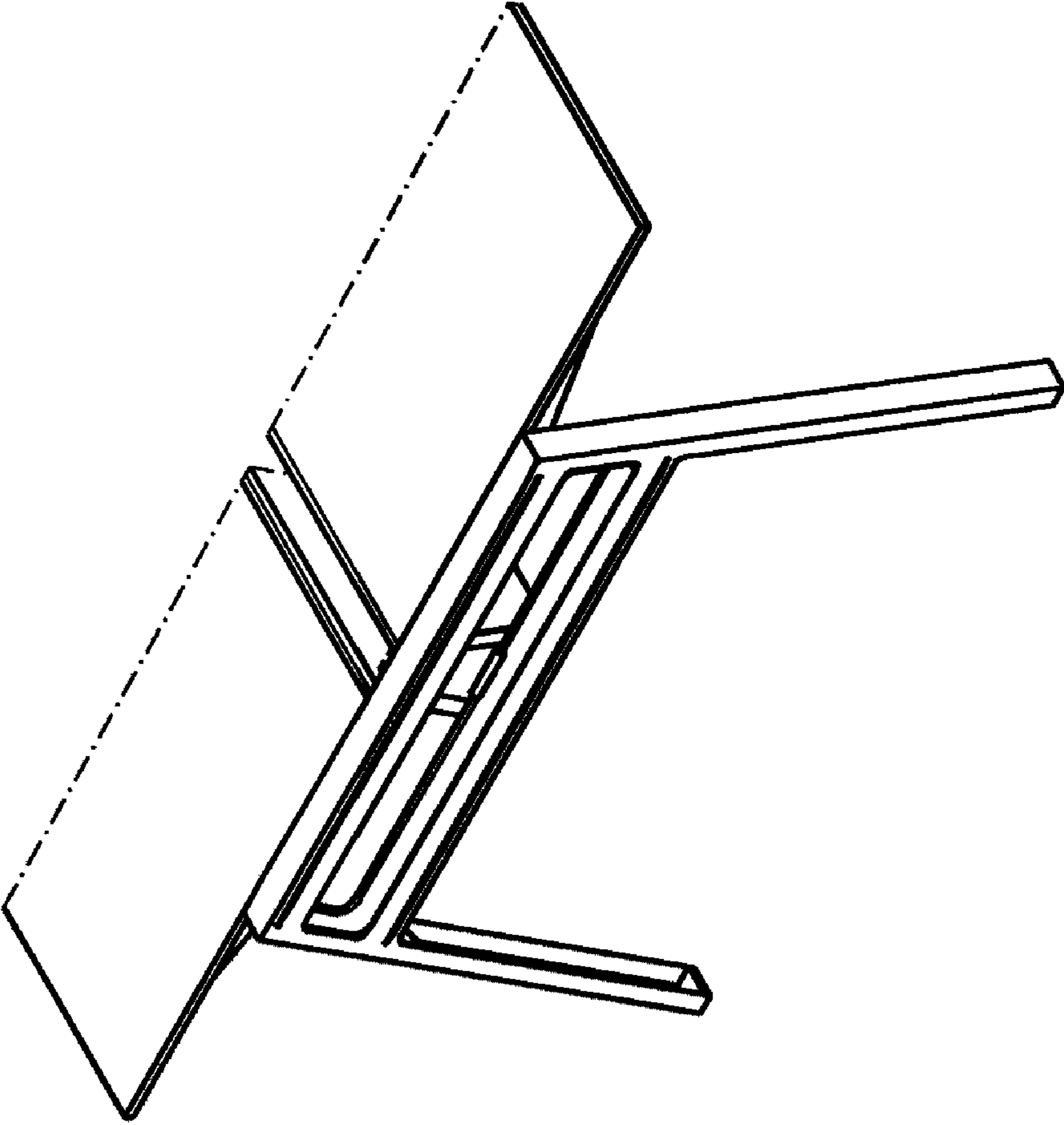


FIG. 1

FIG. 2

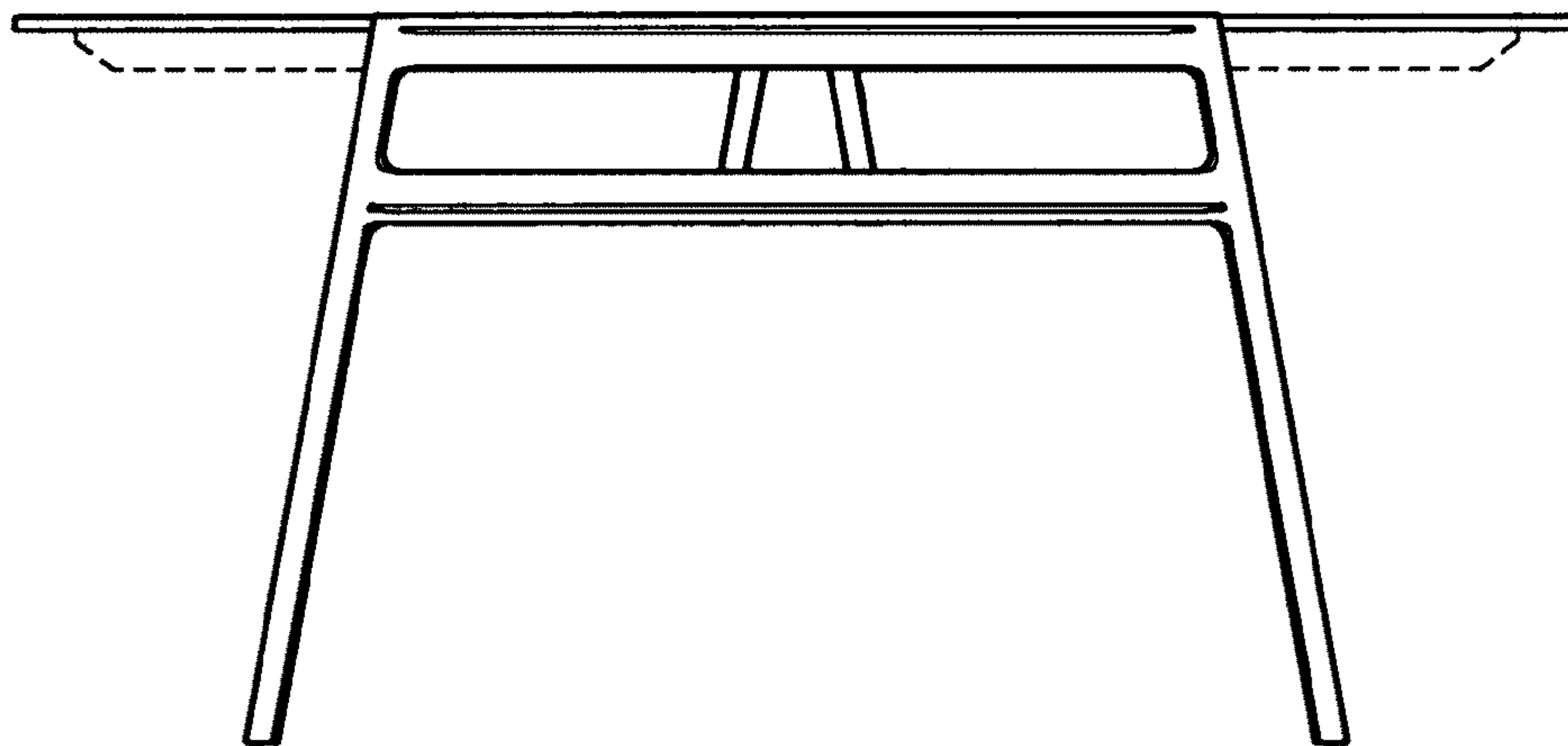
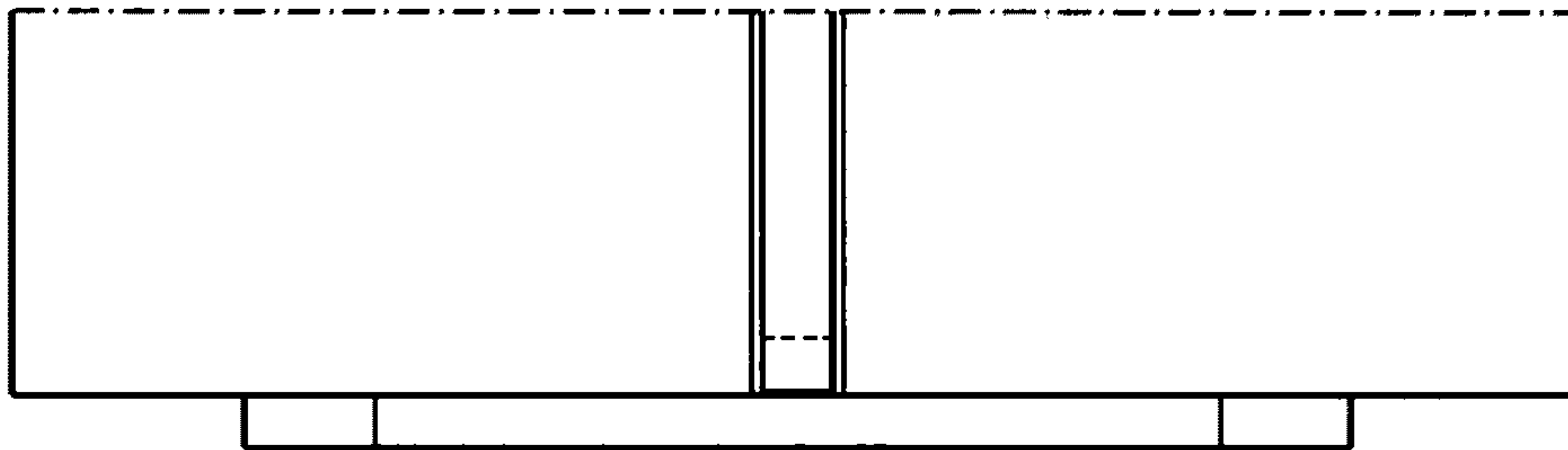


FIG. 3

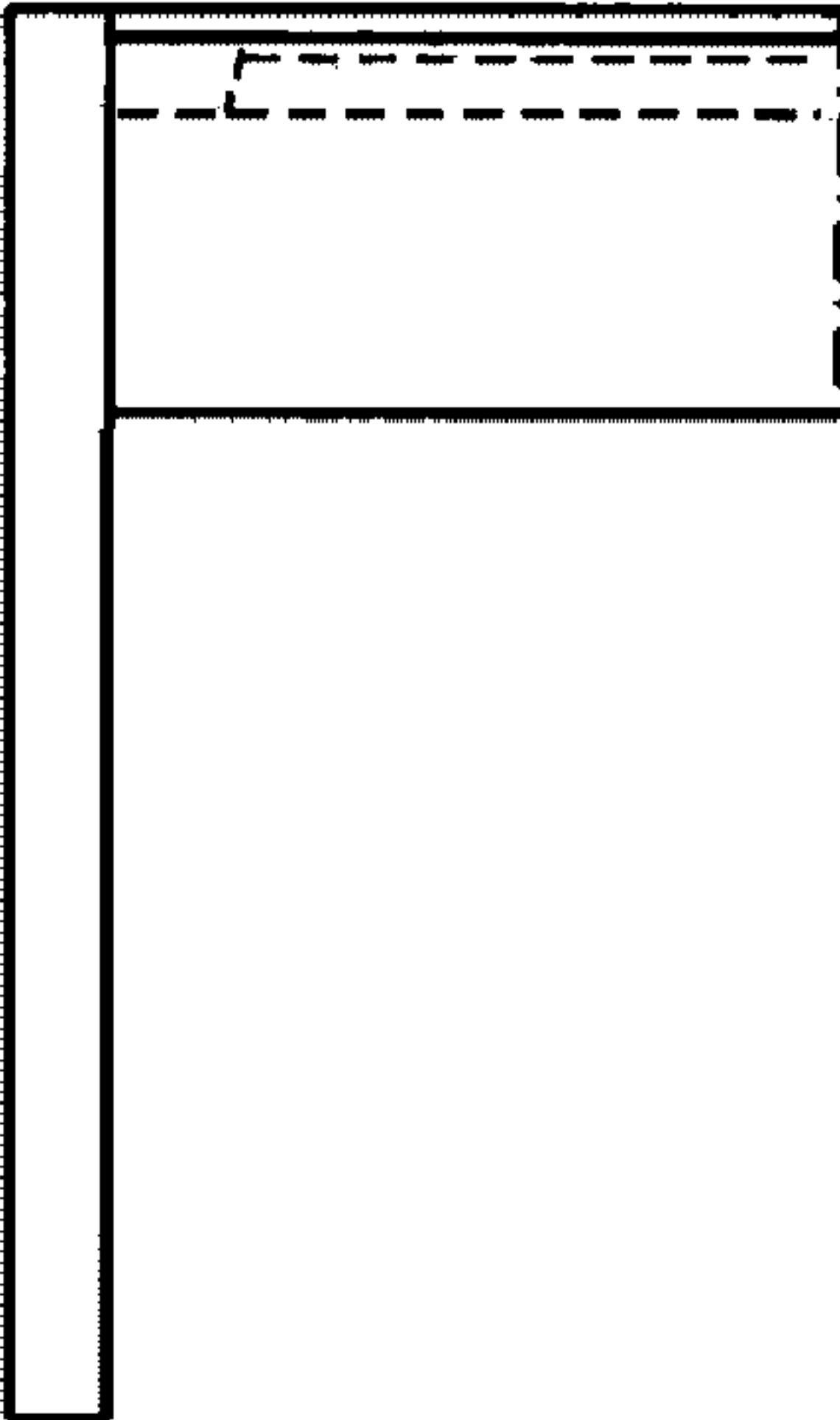


FIG. 4

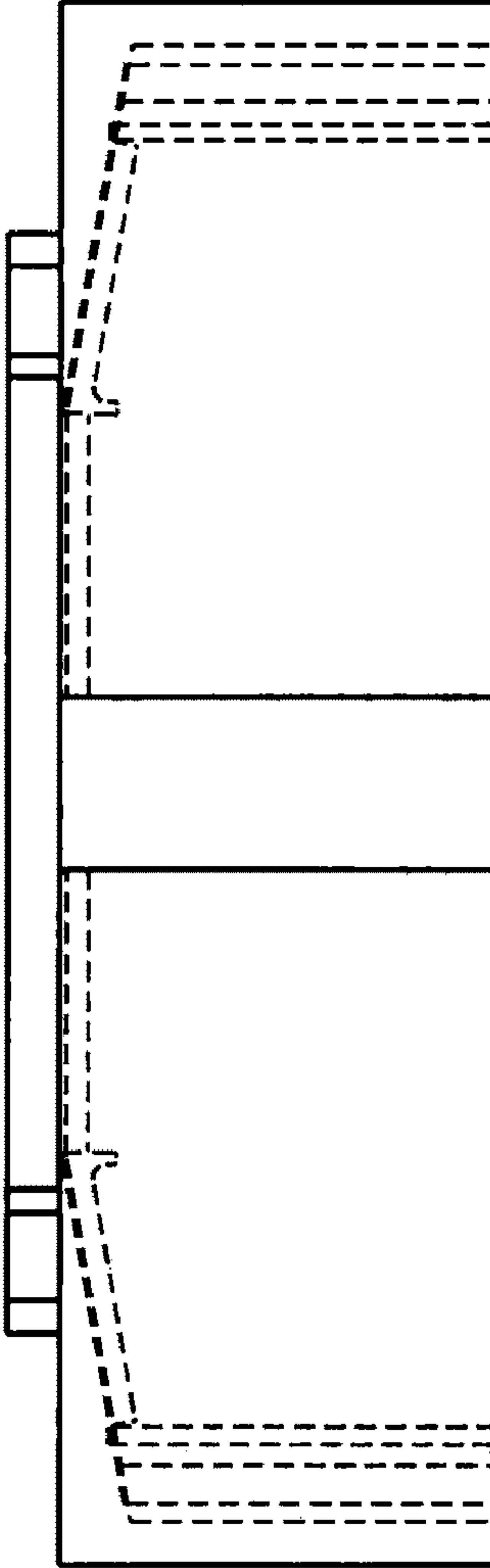


FIG. 5

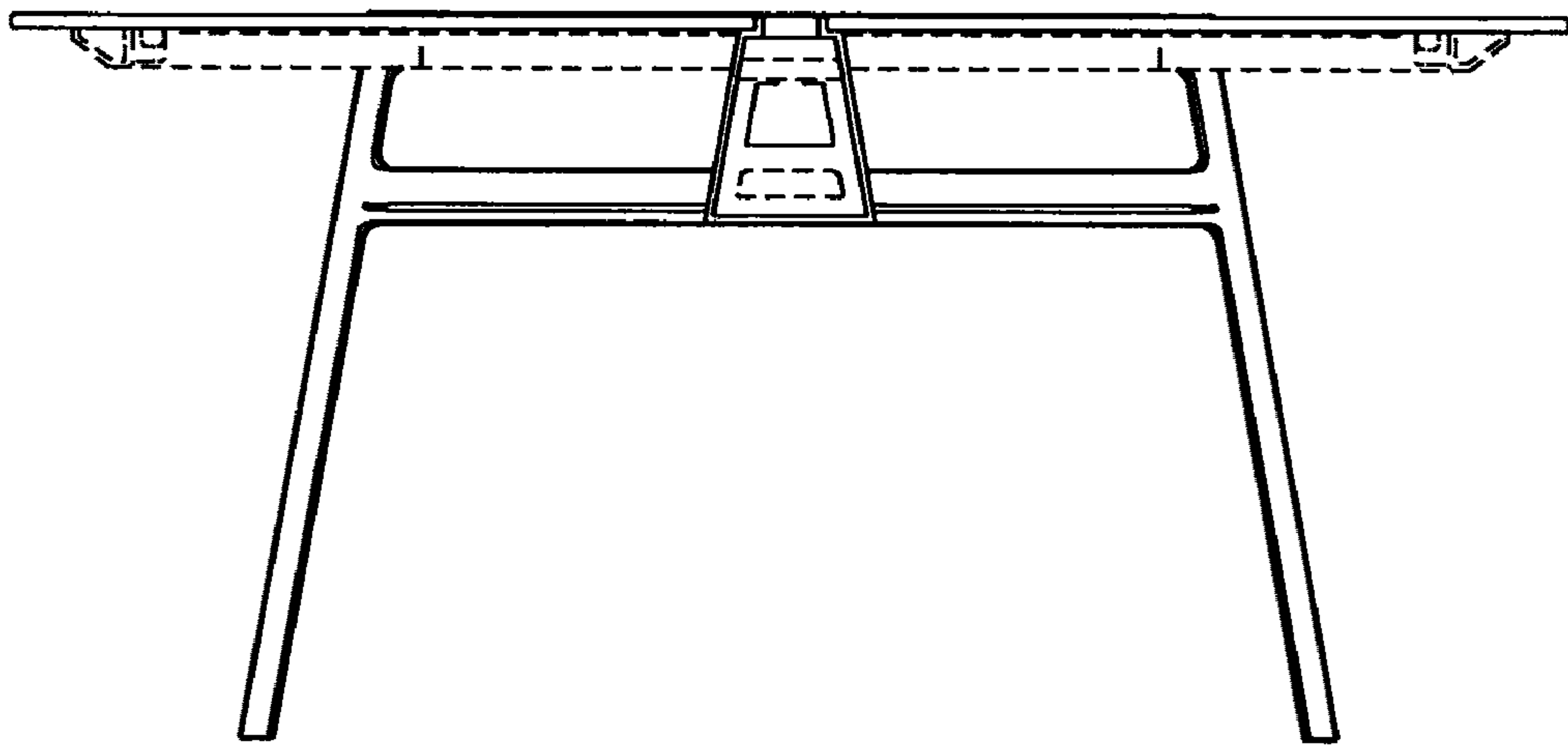


FIG. 6