



US00D649809S

(12) **United States Design Patent**  
**Keshishyan**

(10) **Patent No.:** **US D649,809 S**

(45) **Date of Patent:** **\*\* Dec. 6, 2011**

(54) **DISC JOCKEY CONSOLE**

(76) Inventor: **Ovsep Keshishyan**, Panorama City, CA  
(US)

(\*\*) Term: **14 Years**

(21) Appl. No.: **29/367,942**

(22) Filed: **Aug. 16, 2010**

(51) **LOC (9) Cl.** ..... **06-03**

(52) **U.S. Cl.** ..... **D6/483**

(58) **Field of Classification Search** ..... D6/480-489,  
D6/495-499, 450-451, 511, 422, 426; 108/150,  
108/153.1, 155, 156, 161; 248/188, 188.1,  
248/188.8; D14/302

See application file for complete search history.

(56) **References Cited**

**U.S. PATENT DOCUMENTS**

D301,666	S	*	6/1989	Greutmann et al.	.....	D6/480
5,447,099	A	*	9/1995	Adams et al.	.....	108/147
D399,683	S	*	10/1998	Nicklas	.....	D6/484
D410,806	S	*	6/1999	Olson et al.	.....	D6/484

D547,971	S	*	8/2007	Lachance et al.	.....	D6/426
D603,626	S	*	11/2009	Weatherly	.....	D6/483
D616,674	S	*	6/2010	Sexton	.....	D6/484

\* cited by examiner

*Primary Examiner* — Janice Seeger

(74) *Attorney, Agent, or Firm* — QuickPatents, Inc.; Kevin Prince

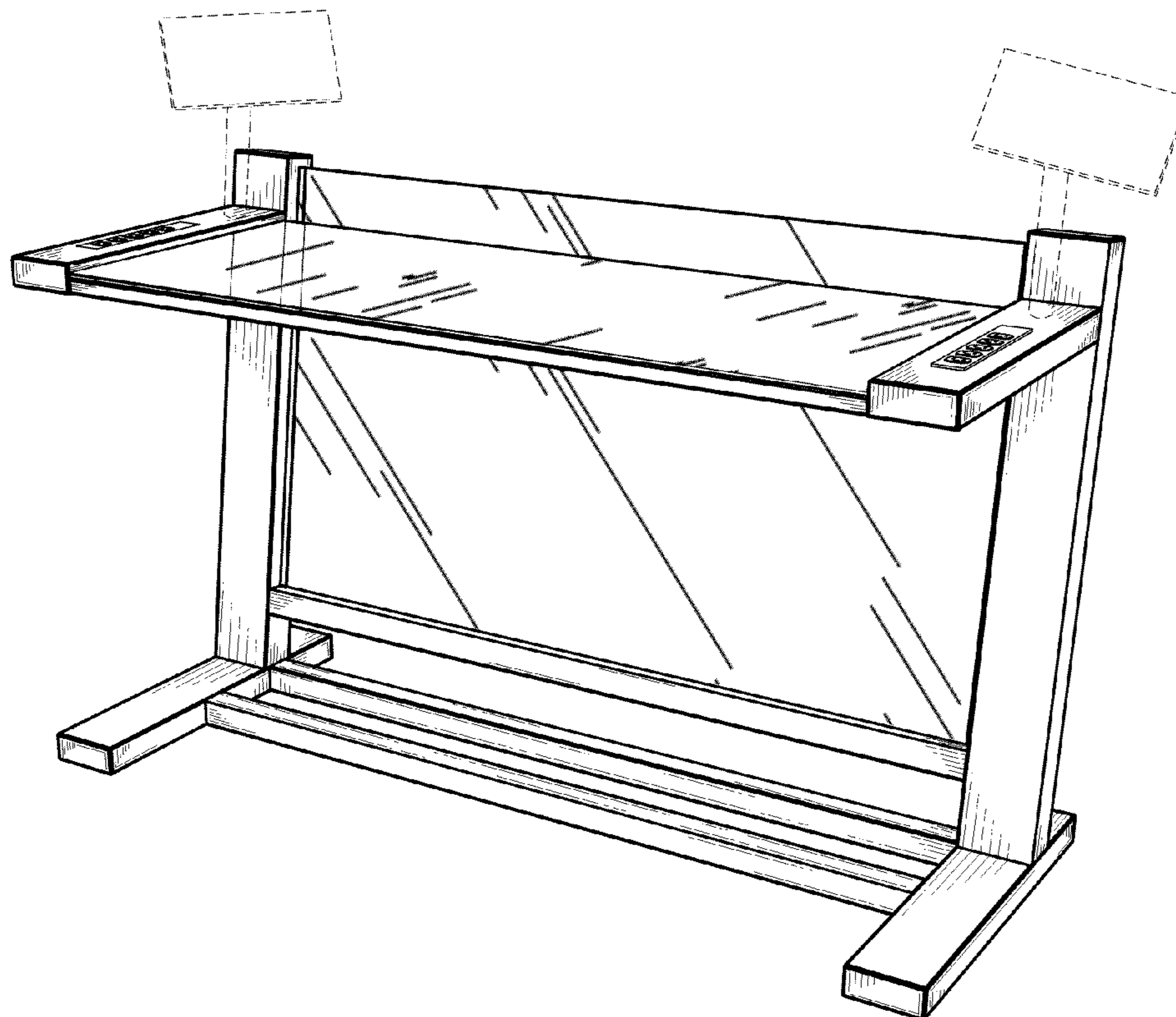
(57) **CLAIM**

What is claimed is the ornamental design for a disc jockey console, as shown and described.

**DESCRIPTION**

FIG. 1 is a front perspective view of a disc jockey console, showing the new design;  
FIG. 2 is a rear perspective view thereof;  
FIG. 3 is a front elevational view thereof;  
FIG. 4 is a rear elevational view thereof;  
FIG. 5 is a left-side elevational view thereof, the right-side elevational view being a mirror image thereof;  
FIG. 6 is a top plan view thereof; and,  
FIG. 7 is a bottom plan view thereof.  
The broken lines showing a pair of sheet holders in FIGS. 1 and 2 depict environmental matter, and form no part of the claimed design.

**1 Claim, 4 Drawing Sheets**



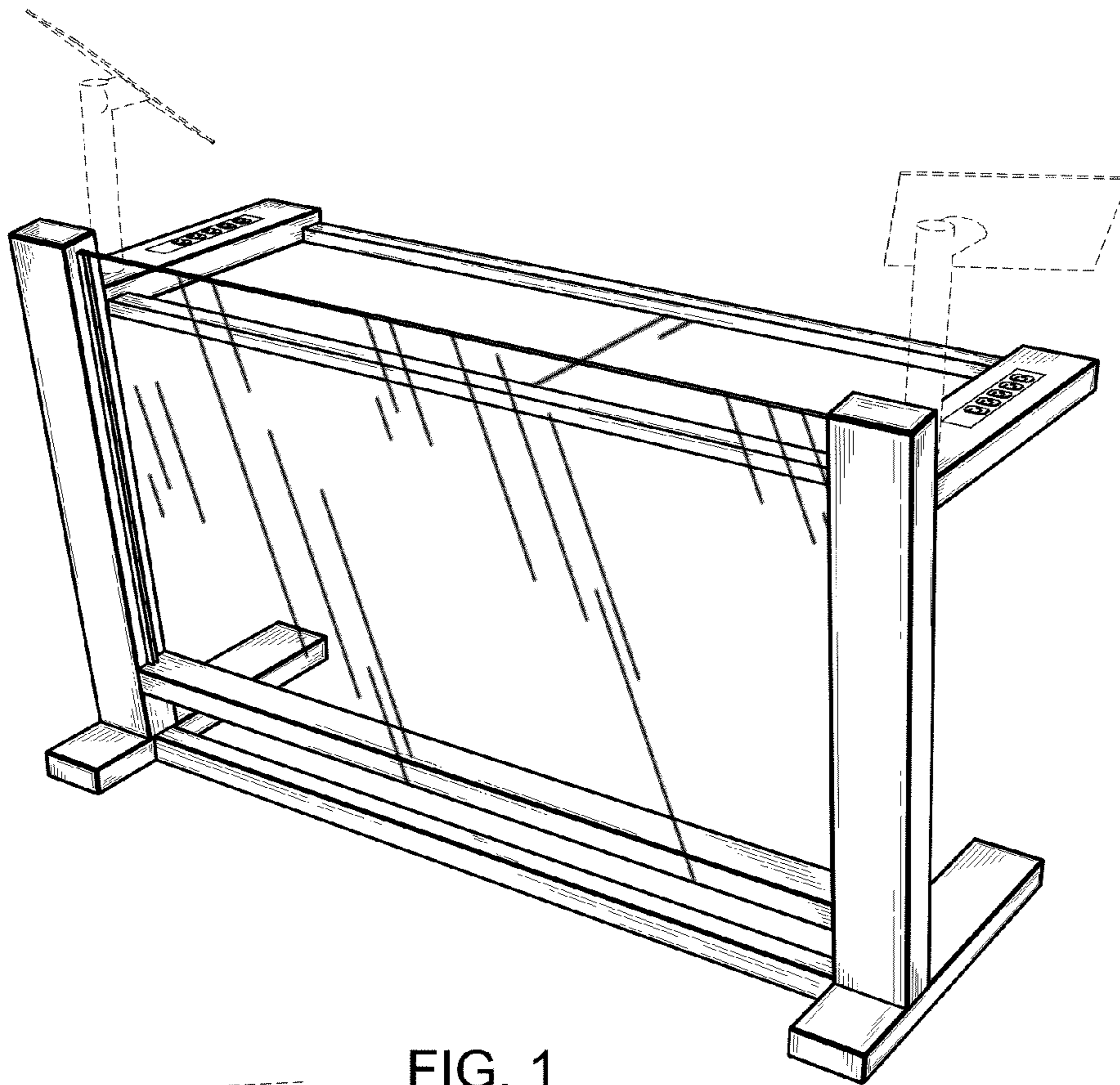


FIG. 1

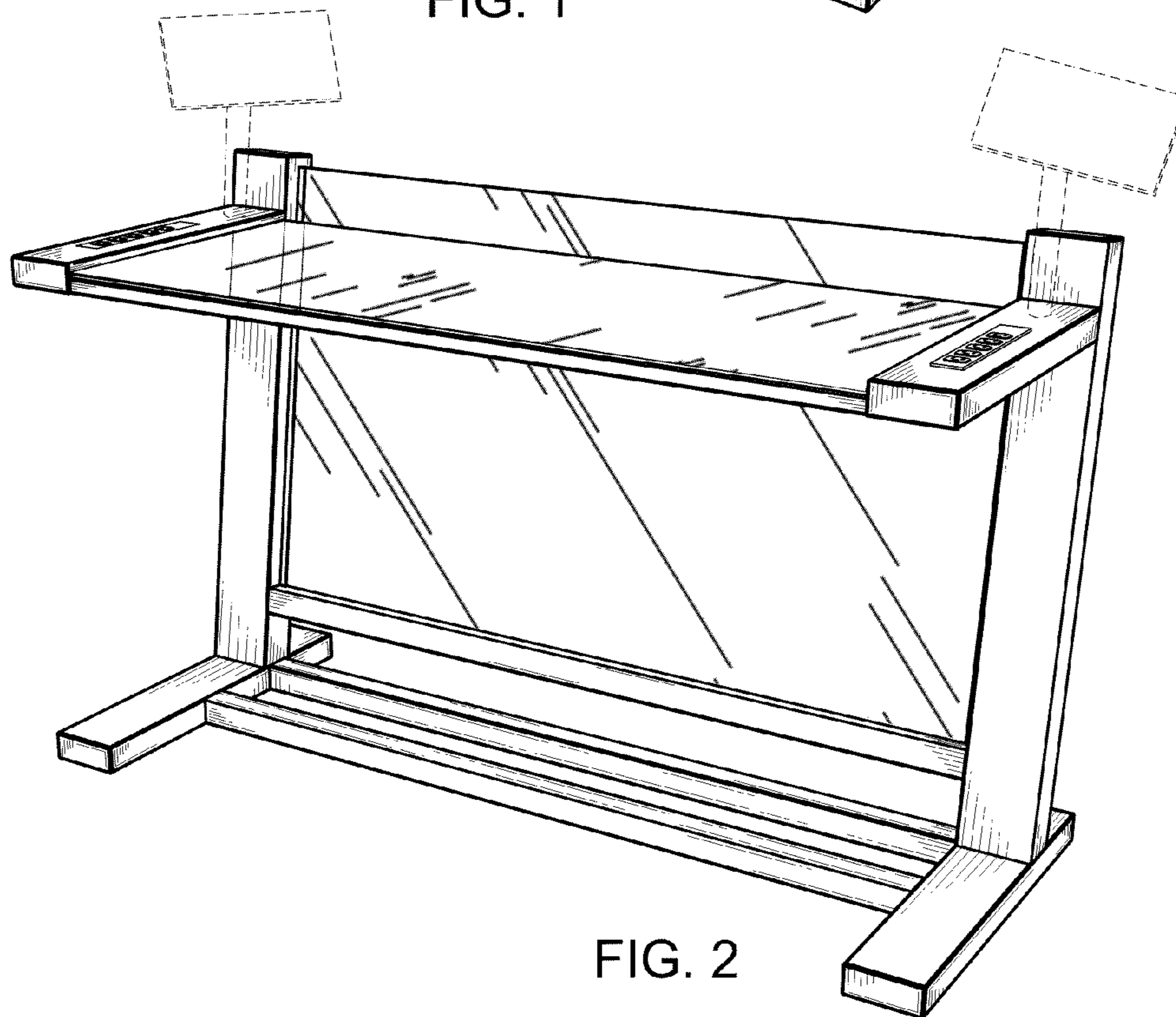


FIG. 2

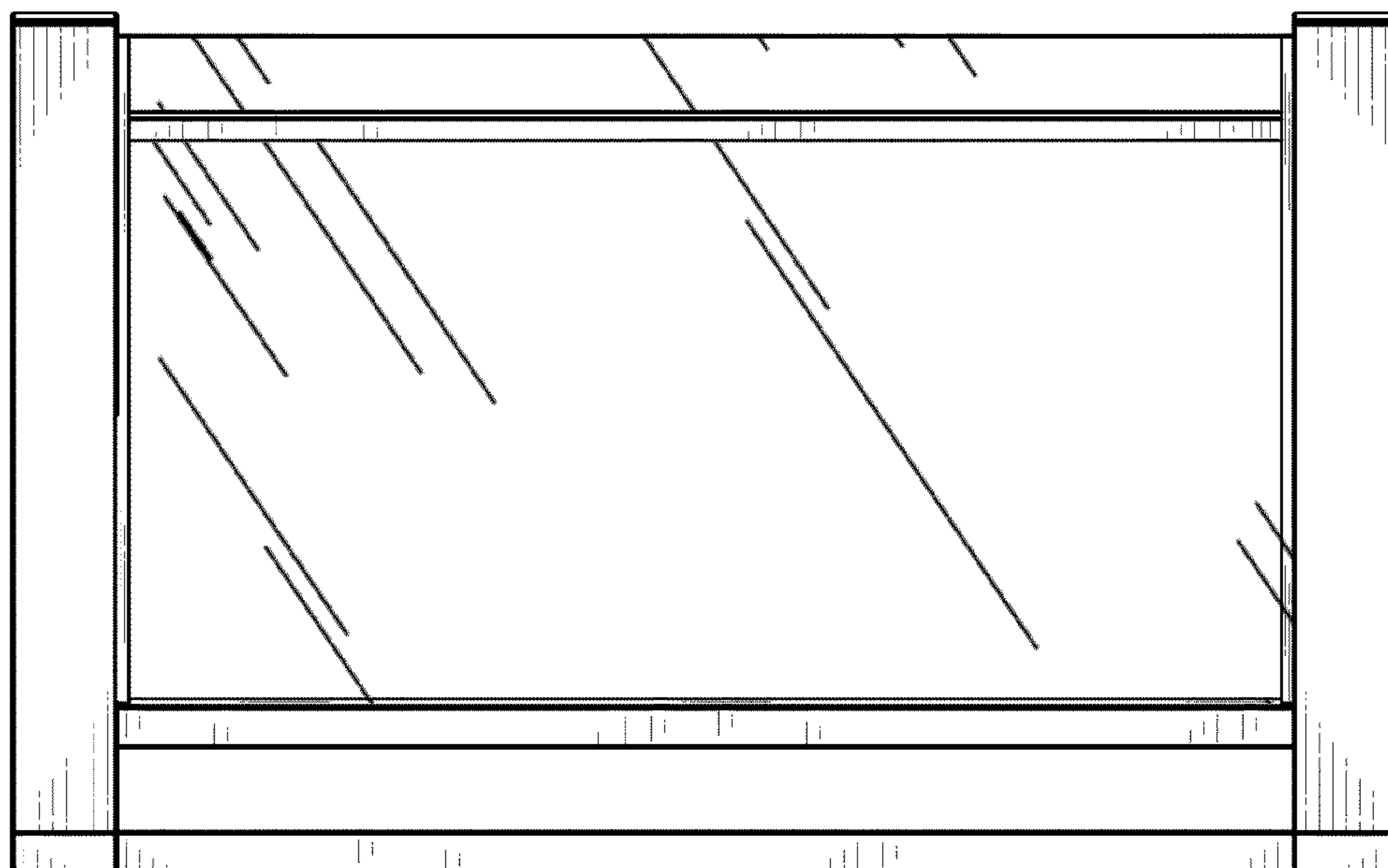


FIG. 3

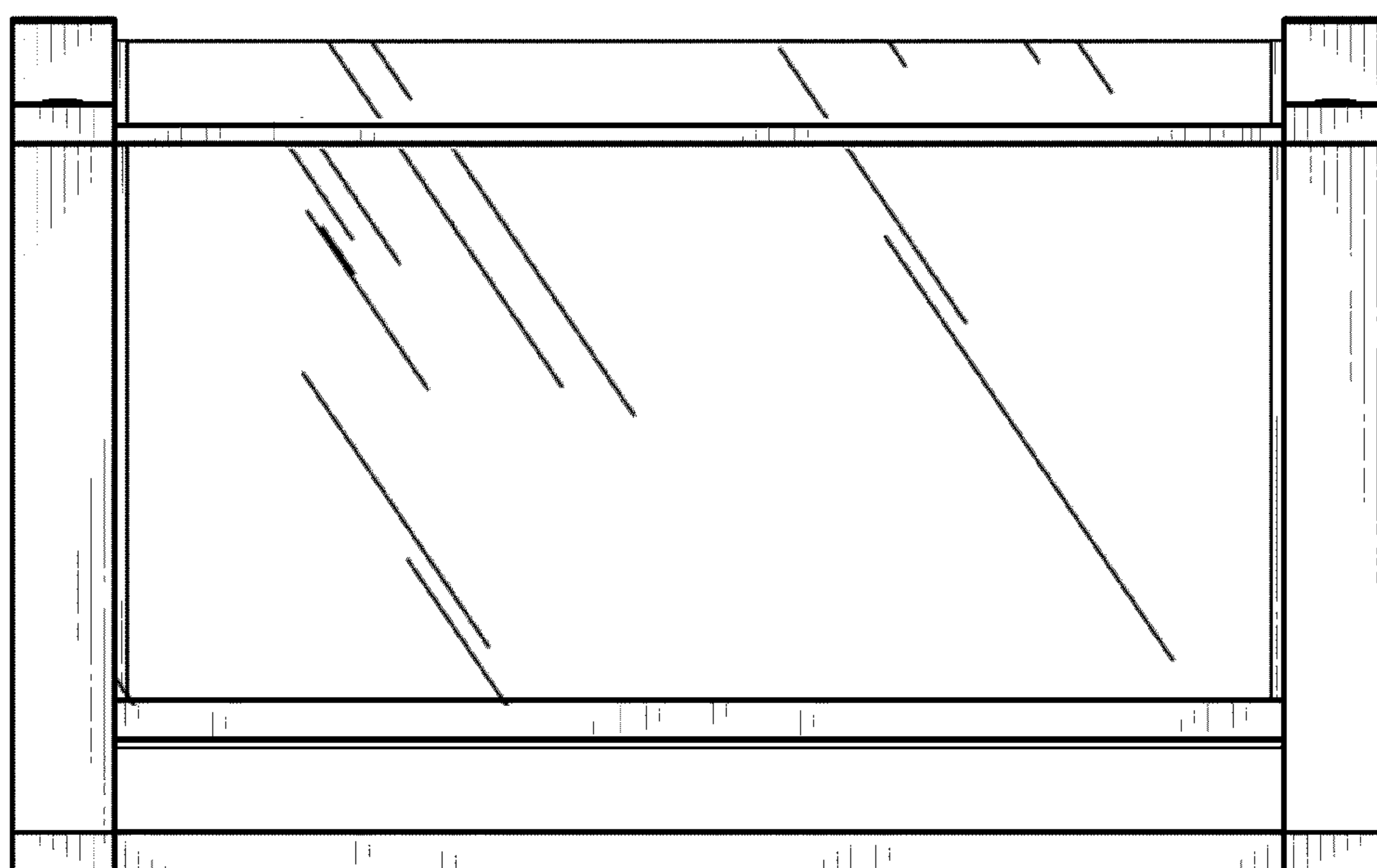


FIG. 4

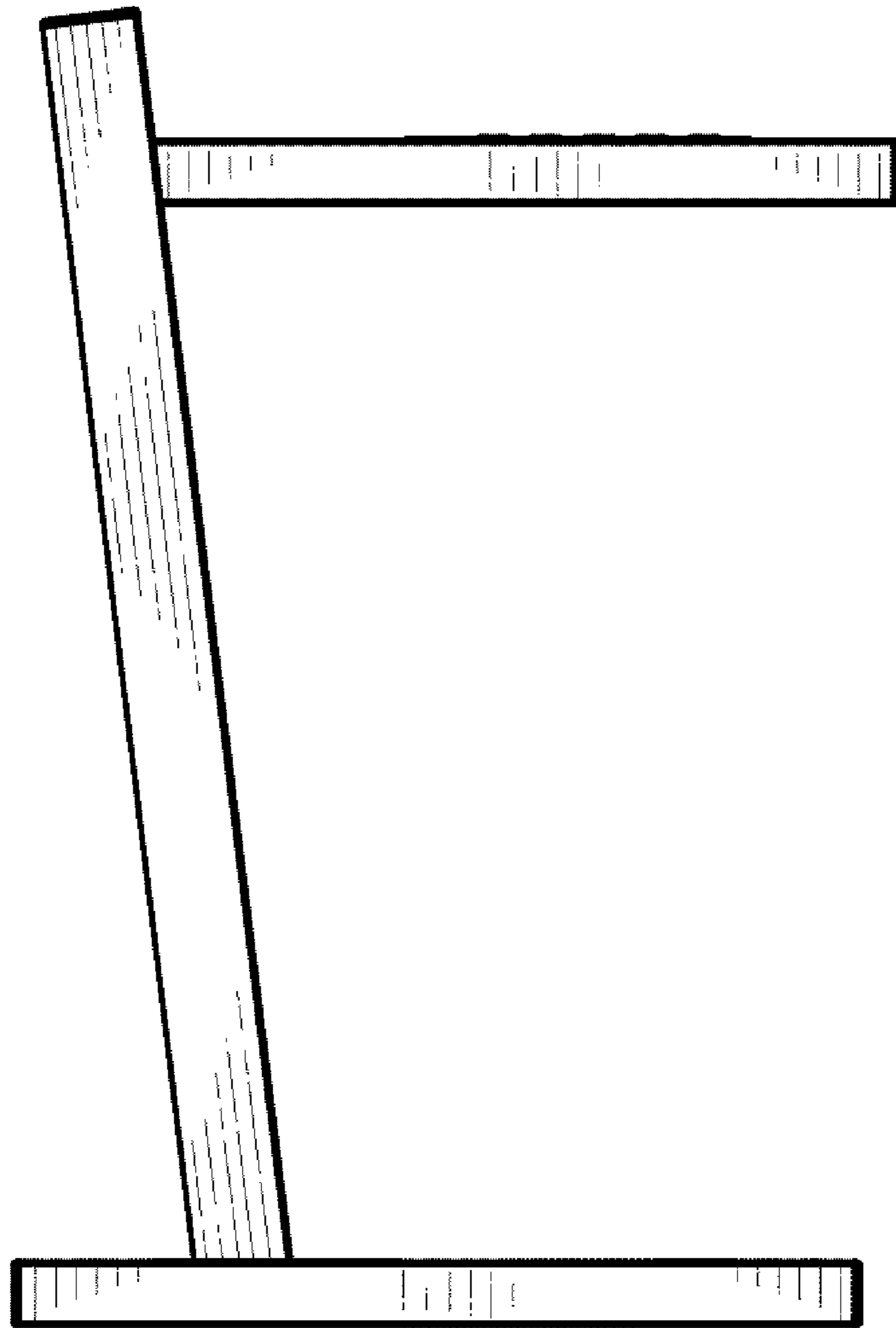


FIG. 5

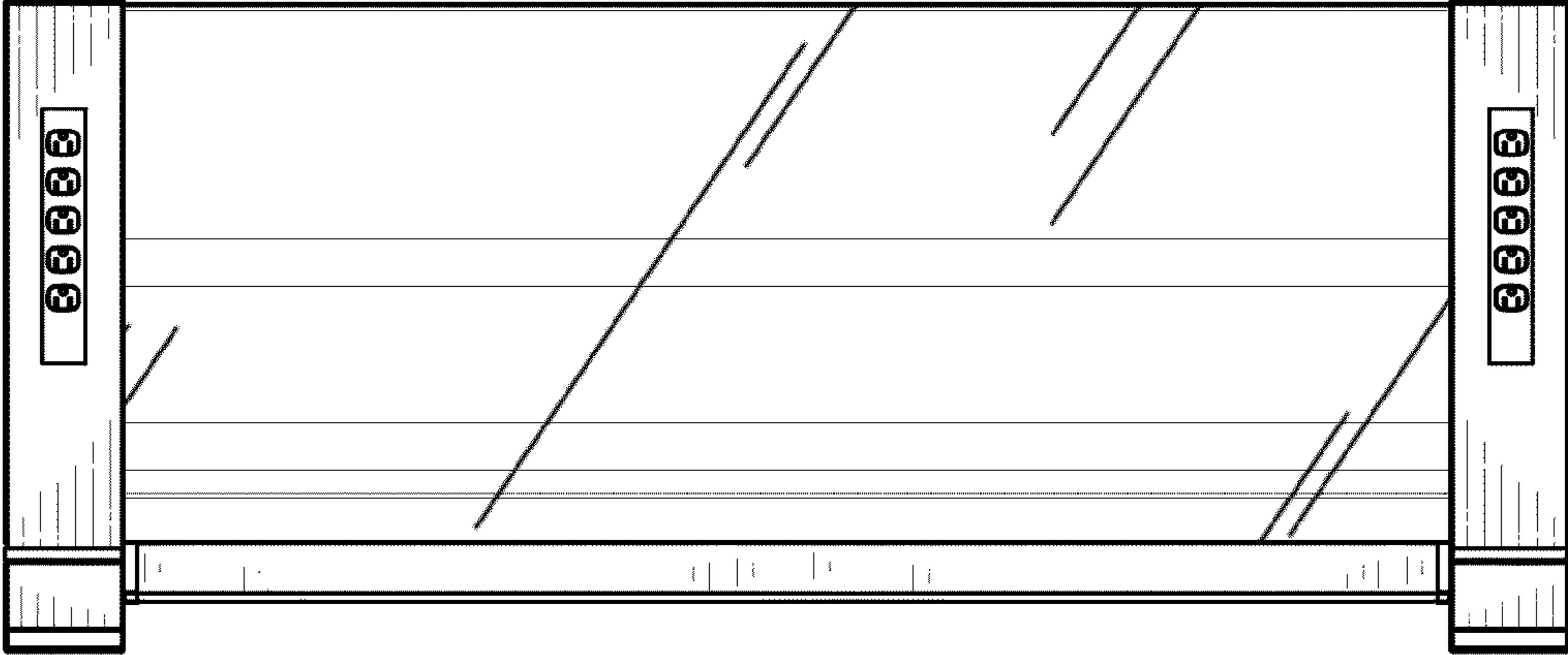


FIG. 6

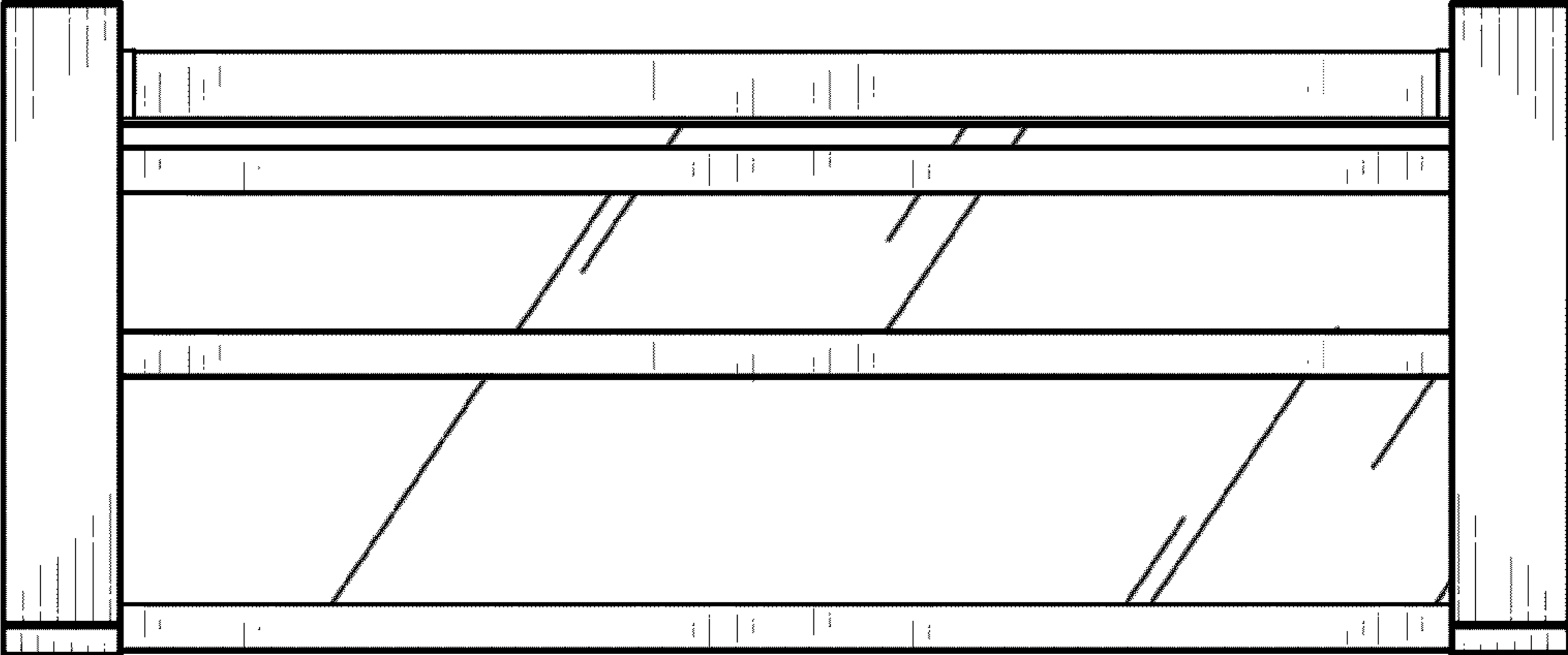


FIG. 7