



US00D649807S

(12) **United States Design Patent**
Stoepker

(10) **Patent No.:** **US D649,807 S**

(45) **Date of Patent:** **** Dec. 6, 2011**

- (54) **SHELF**
 - (75) Inventor: **Timothy David Stoepker**, Grand Rapids, MI (US)
 - (73) Assignee: **Steelcase Inc.**, Grand Rapids, MI (US)
 - (**) Term: **14 Years**
 - (21) Appl. No.: **29/390,305**
 - (22) Filed: **Apr. 22, 2011**
 - (51) **LOC (9) Cl.** **06-02**
 - (52) **U.S. Cl.** **D6/397**
 - (58) **Field of Classification Search** D6/396-397, D6/449, 511-512, 567-570, 574; 211/13.1, 211/40, 41.12, 90.01; 206/308.1; 312/9.1, 312/9.9, 9.47, 9.64
- See application file for complete search history.

- 4,953,696 A 9/1990 Huang et al.
- 5,035,389 A 7/1991 Wang
- 5,040,681 A 8/1991 Grusin
- 5,086,958 A 2/1992 Nagy
- 5,125,518 A 6/1992 Ward
- 5,177,899 A 1/1993 Powell
- 5,267,715 A 12/1993 Owen
- 5,295,594 A 3/1994 Melzian et al.
- 5,333,744 A 8/1994 LoCicero et al.
- 5,433,152 A 7/1995 Henry
- 5,441,151 A 8/1995 Billingham

(Continued)

Primary Examiner — Elizabeth Albert
Assistant Examiner — Kelley Donnelly
 (74) *Attorney, Agent, or Firm* — Quarles & Brady LLP

(57) **CLAIM**
 The ornamental design for a shelf, as shown and described.

DESCRIPTION

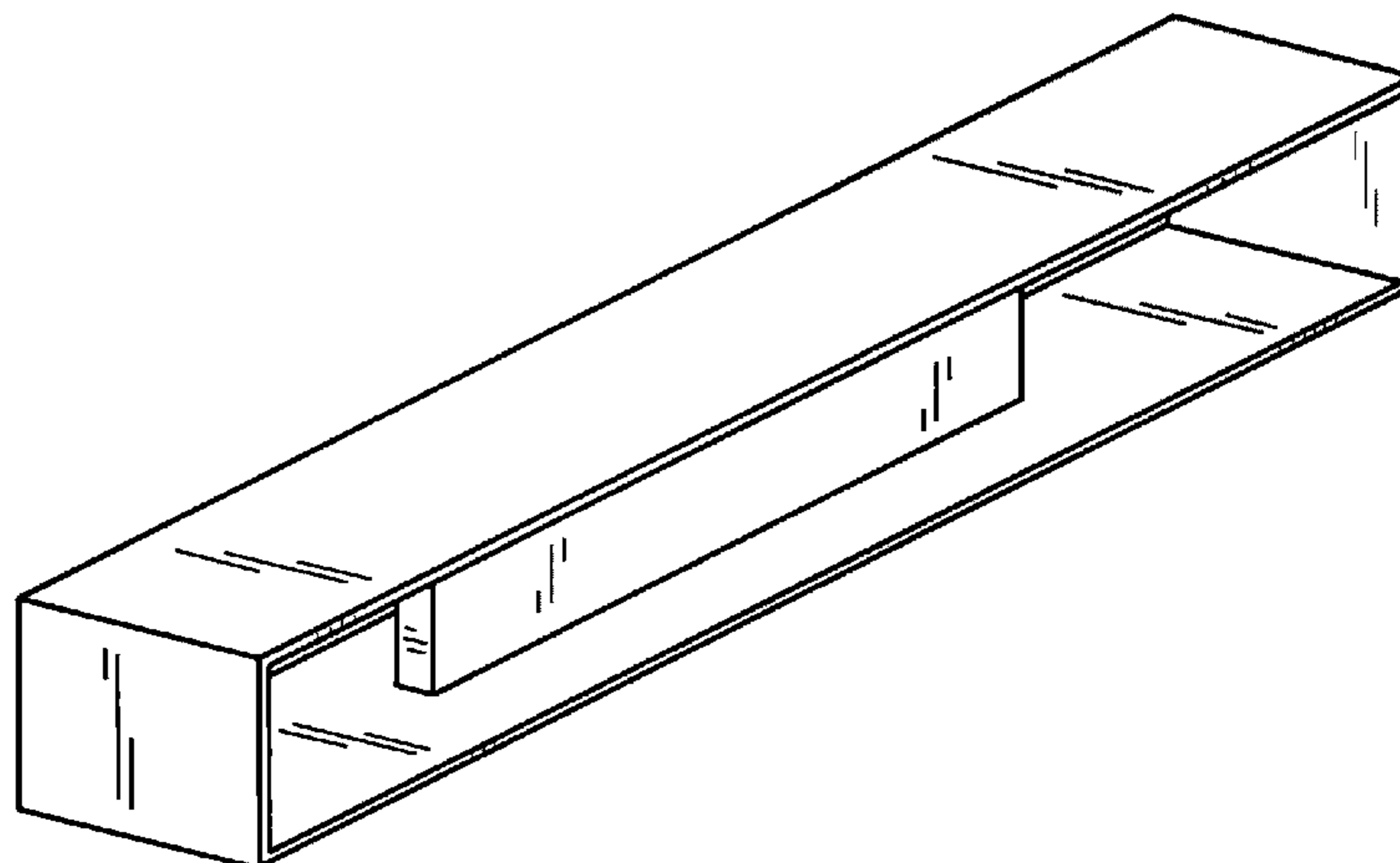
FIG. 1 is a left, top, front perspective view of a shelf according to our new design;
 FIG. 2 is a front elevational view thereof, the rear elevational view thereof being a mirror image of the front view shown;
 FIG. 3 is a left side elevational view thereof, the right side elevational view thereof being a mirror image of the left side shown;
 FIG. 4 is a top plan view thereof;
 FIG. 5 is a bottom plan view thereof;
 FIG. 6 is a left, top, front perspective view of a shelf shown in environment;
 FIG. 7 is a front elevational view thereof, the rear elevational view thereof being a mirror image of the front view shown; and,
 FIG. 8 is a left side elevational view thereof, the right side elevational view thereof being a mirror image of the left side shown.
 The broken line representations in the figures are for the purpose of illustrating unclaimed environment. The broken lines are thus not part of the claim.

(56) **References Cited**

U.S. PATENT DOCUMENTS

418,084 A	12/1889	Swinerton	
1,656,868 A	1/1928	Davis et al.	
2,640,644 A	6/1953	Hennessey et al.	
3,059,825 A	10/1962	Thomas	
3,219,400 A *	11/1965	Bergquist	312/107
3,238,004 A	3/1966	Goebel	
3,640,445 A	2/1972	Durham	
3,741,450 A	6/1973	Seastrom	
3,749,299 A	7/1973	Ingle	
3,915,189 A	10/1975	Holbrook et al.	
4,059,248 A	11/1977	Kuntz	
4,118,084 A	10/1978	Sussman	
4,472,009 A	9/1984	Bell	
4,477,128 A	10/1984	Hasbrouck	
4,559,738 A	12/1985	Helfman	
4,653,713 A	3/1987	Hamilton	
4,666,115 A	5/1987	Schiro	
4,698,936 A	10/1987	Helfman	
D293,866 S *	1/1988	Marsh	D6/570
4,730,802 A	3/1988	Chatham et al.	
4,799,432 A	1/1989	Rickner	
4,827,849 A	5/1989	Vignale	
D310,752 S *	9/1990	Long et al.	D6/632

1 Claim, 4 Drawing Sheets



US D649,807 S

Page 2

U.S. PATENT DOCUMENTS

5,472,164	A	12/1995	Contee, Jr.				
5,542,553	A	8/1996	Penniman				
5,547,080	A	8/1996	Klimas				
5,603,405	A	2/1997	Smith				
5,623,880	A	4/1997	Kuntz				
5,669,498	A	9/1997	Fierek et al.				
5,833,065	A	11/1998	Burgess				
5,836,112	A	11/1998	Lindale et al.				
5,890,614	A	4/1999	Dancyger				
5,988,383	A	11/1999	Armstrong				
6,012,690	A	1/2000	Cohen				
6,059,109	A	5/2000	Stein				
6,138,827	A	10/2000	Marshall				
6,138,841	A	10/2000	Klein et al.				
6,224,029	B1	5/2001	Marble et al.				
D454,737	S *	3/2002	Carrabba	D6/511			
6,357,616	B1	3/2002	Harris et al.				
D458,793	S *	6/2002	Napracone	D6/634			
6,401,862	B1	6/2002	Caron				
6,527,235	B1	3/2003	Cotterill				
6,536,858	B1	3/2003	Heidmann et al.				
6,564,941	B2	5/2003	Hedges				
6,663,201	B2	12/2003	Herron, III et al.				
6,666,342	B1	12/2003	House				
6,748,710	B2	6/2004	Gresham et al.				
6,796,443	B2	9/2004	Lippman et al.				
6,904,719	B2	6/2005	Braun				
D516,227	S	2/2006	Price				
D517,344	S *	3/2006	Zens	D6/407			
D531,225	S	10/2006	Kent et al.				
7,152,752	B2 *	12/2006	Kurtenbach	220/23.4			
7,195,119	B2	3/2007	Lungo				
7,290,651	B2	11/2007	Irwin et al.				
D569,105	S	5/2008	Van Hoorn				
D574,151	S *	8/2008	Reitze	D3/314			
D600,944	S *	9/2009	McConnell et al.	D6/449			
7,621,421	B2	11/2009	Ohayon				
2007/0221795	A1	9/2007	Cutty				
2008/0053931	A1	3/2008	Newbould et al.				
2009/0293391	A1	12/2009	Devore				
2010/0073919	A1	3/2010	Sharpe				
2010/0270246	A1	10/2010	Rodriguez				

* cited by examiner

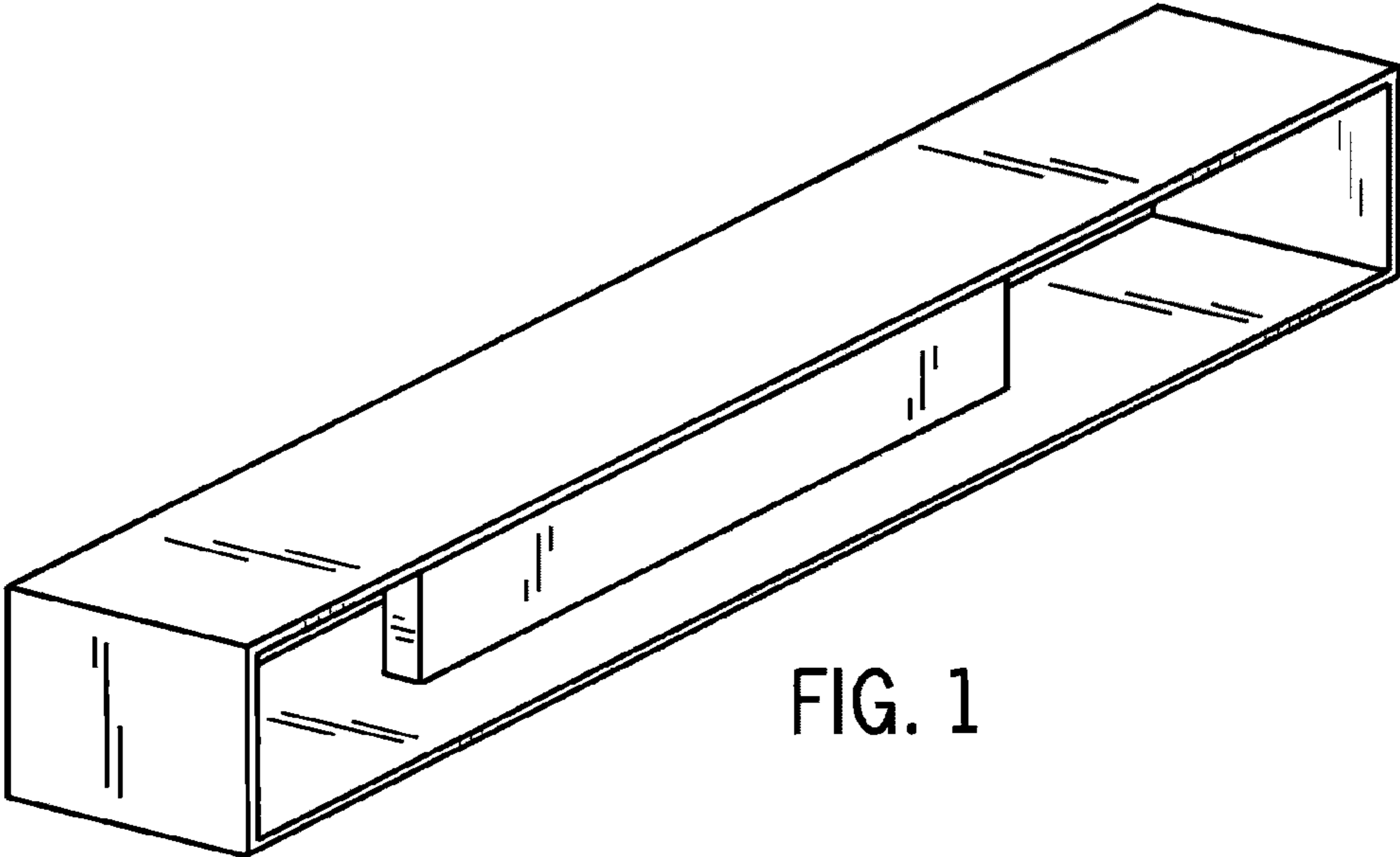


FIG. 1



FIG. 2

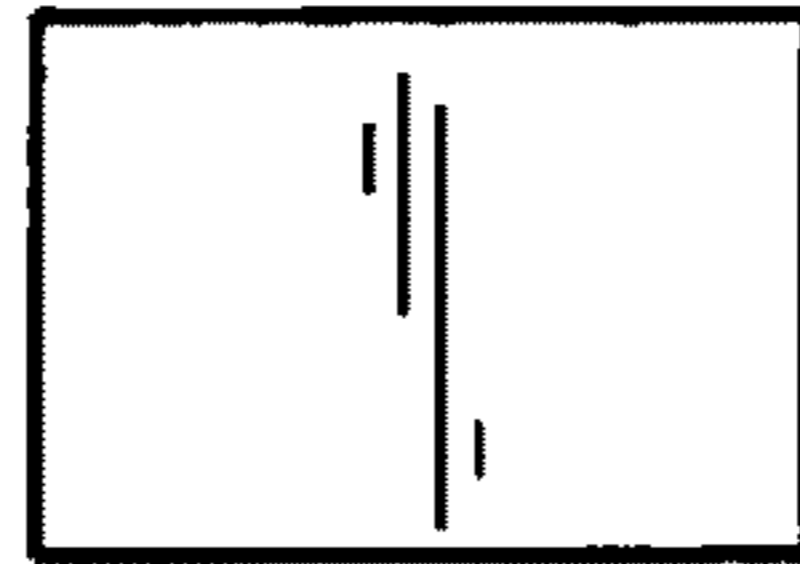


FIG. 3

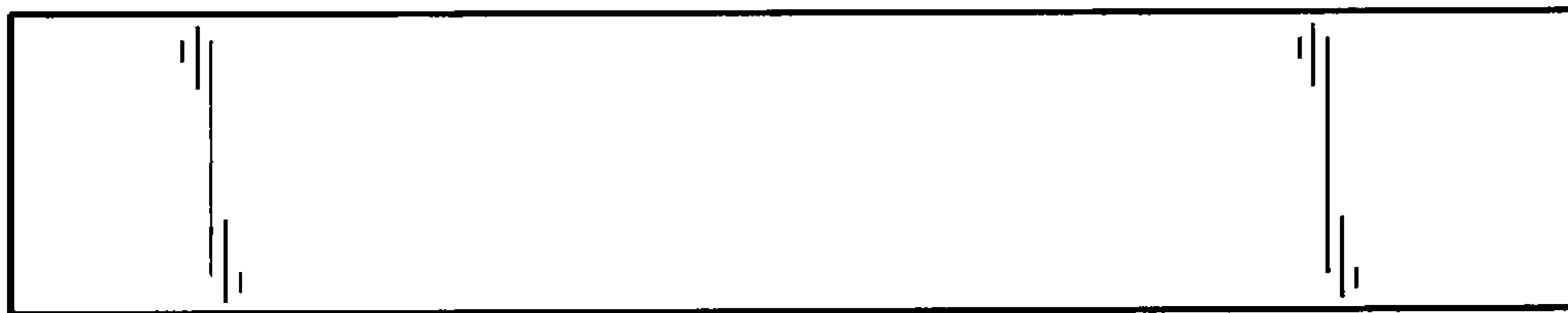


FIG. 4

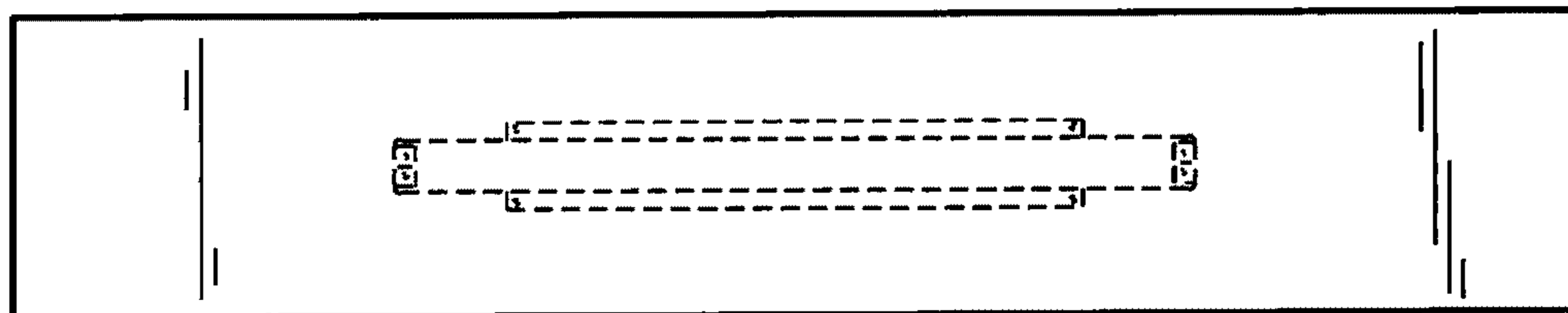


FIG. 5

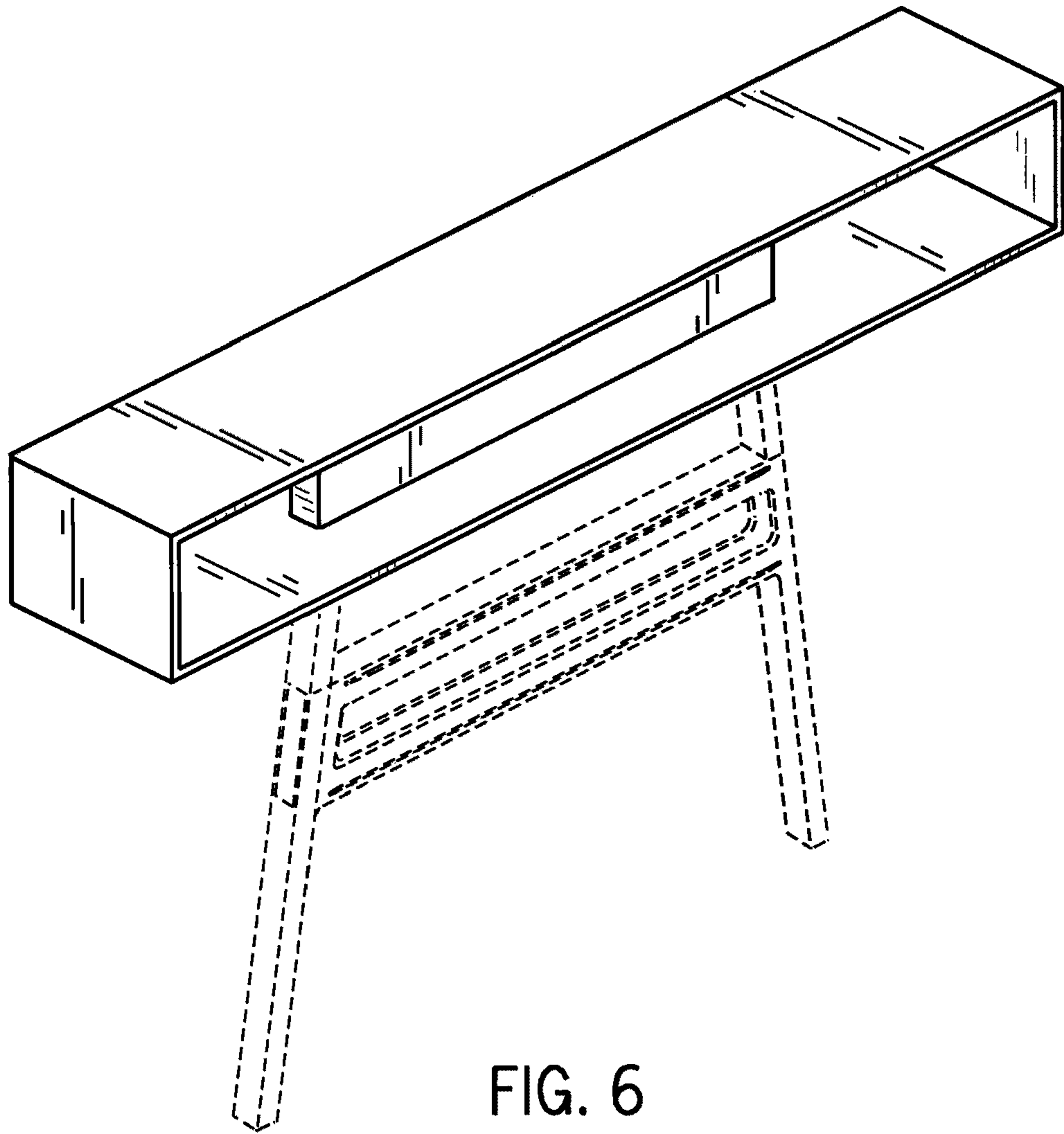


FIG. 6

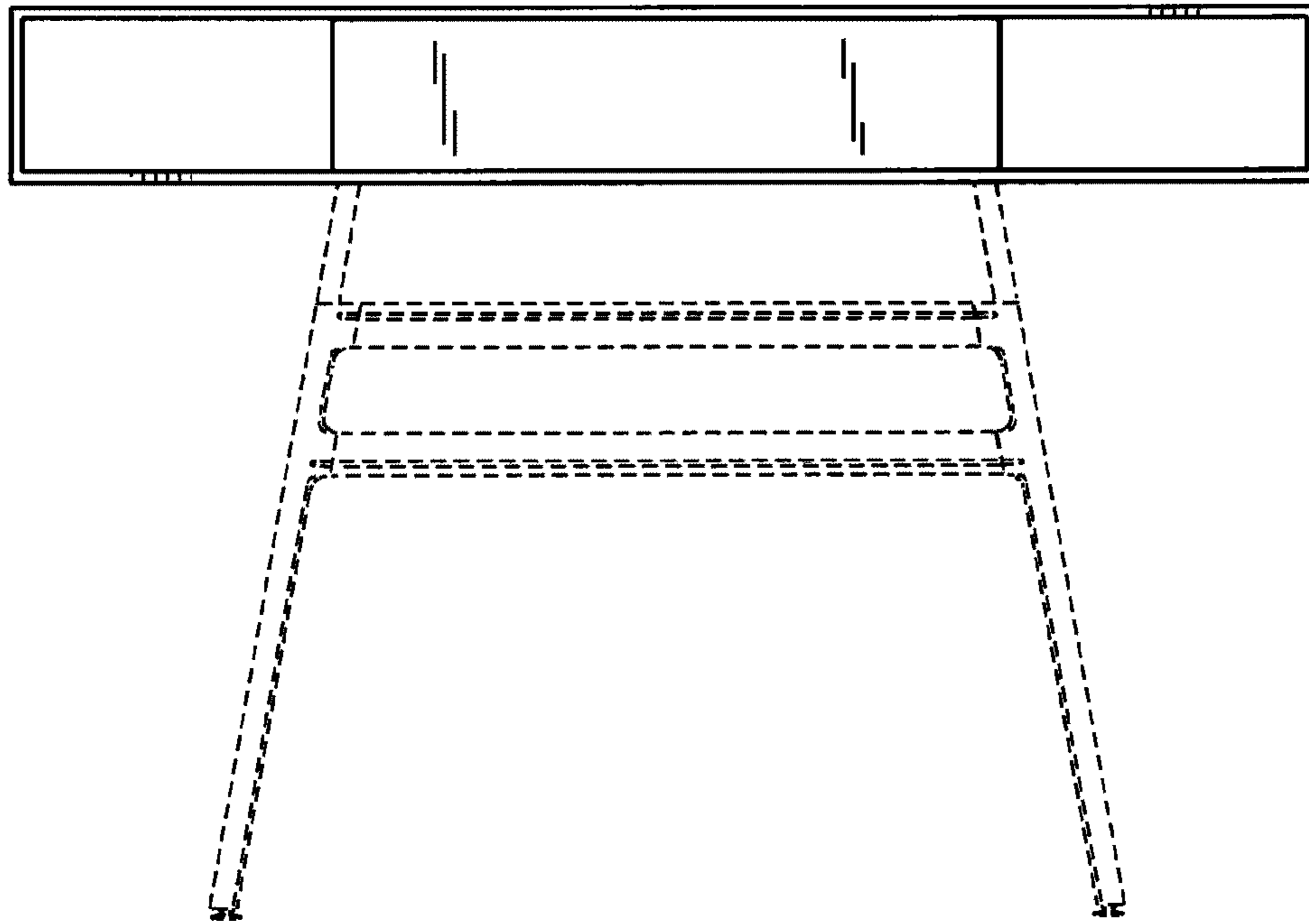


FIG. 7

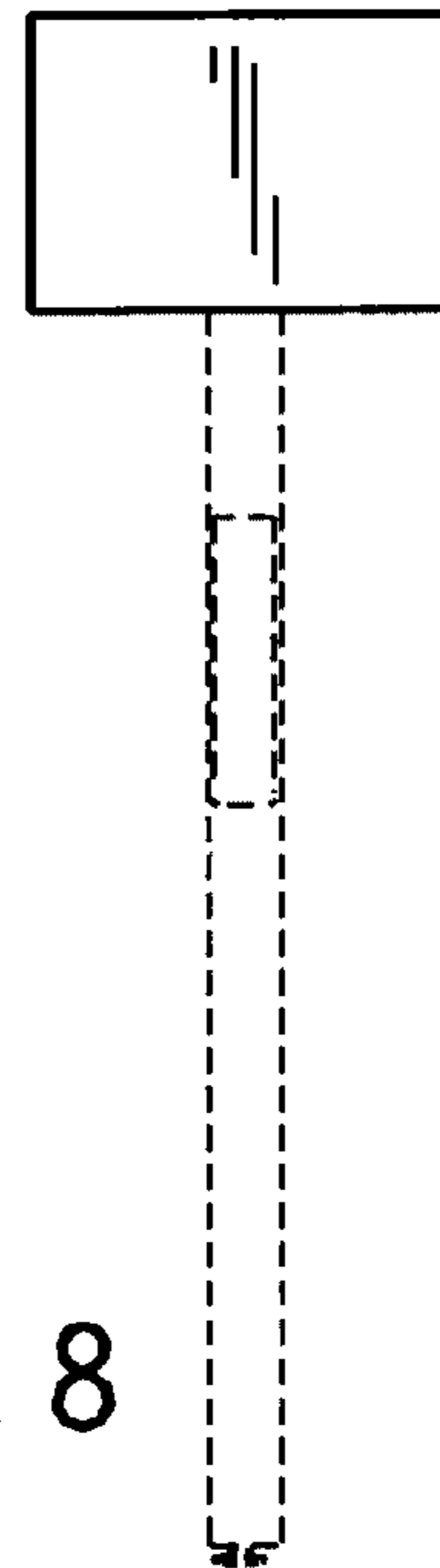


FIG. 8