



US00D649801S

(12) **United States Design Patent**
Salto

(10) **Patent No.:** **US D649,801 S**

(45) **Date of Patent:** **** Dec. 6, 2011**

(54) **CHAIR**

(75) Inventor: **Kasper Salto**, Copenhagen (DK)

(73) Assignee: **Fritz Hansen A/S**, Allerød (DK)

(**) Term: **14 Years**

(21) Appl. No.: **29/345,789**

(22) Filed: **Oct. 22, 2009**

(30) **Foreign Application Priority Data**

Apr. 24, 2009 (EM) 001127971

(51) **LOC (9) Cl.** **06-01**

(52) **U.S. Cl.** **D6/375**

(58) **Field of Classification Search** D6/334,
D6/370, 373-375, 379-380, 500-502; 297/445.1,
297/452.14

See application file for complete search history.

(56) **References Cited**

U.S. PATENT DOCUMENTS

D192,029 S *	1/1962	Avedon et al.	D6/375
D205,939 S *	10/1966	Laverne et al.	D6/375
D417,795 S *	12/1999	Rashid	D6/375
D473,407 S *	4/2003	Ross	D6/500
D516,330 S *	3/2006	Ruiter	D6/370
D525,446 S *	7/2006	Farber	D6/375
D554,386 S *	11/2007	Nobles et al.	D6/375
D557,916 S *	12/2007	Dietrich	D6/366
D564,248 S *	3/2008	Alter Molina et al.	D6/373
D568,617 S *	5/2008	Jehs et al.	D6/366
D569,640 S *	5/2008	Robson	D6/370

D573,363 S *	7/2008	Pillet	D6/376
D573,806 S *	7/2008	Pillet	D6/376
D582,692 S *	12/2008	Kerr	D6/375
D584,901 S *	1/2009	Massaud	D6/366
D585,656 S *	2/2009	Massaud	D6/366
D588,371 S *	3/2009	Picco et al.	D6/375
D600,464 S *	9/2009	Olano Jauregui	D6/373
D609,037 S *	2/2010	Miller et al.	D6/500
D610,817 S *	3/2010	Degenhardt	D6/334
D614,415 S *	4/2010	Konno	D6/366
D620,274 S *	7/2010	Massaud	D6/376
D622,985 S *	9/2010	Kubryk	D6/500
D622,986 S *	9/2010	Kubryk	D6/500

* cited by examiner

Primary Examiner — Caron D Veynar

Assistant Examiner — Kelley Donnelly

(74) *Attorney, Agent, or Firm* — Renner, Otto, Boisselle & Sklar, LLP

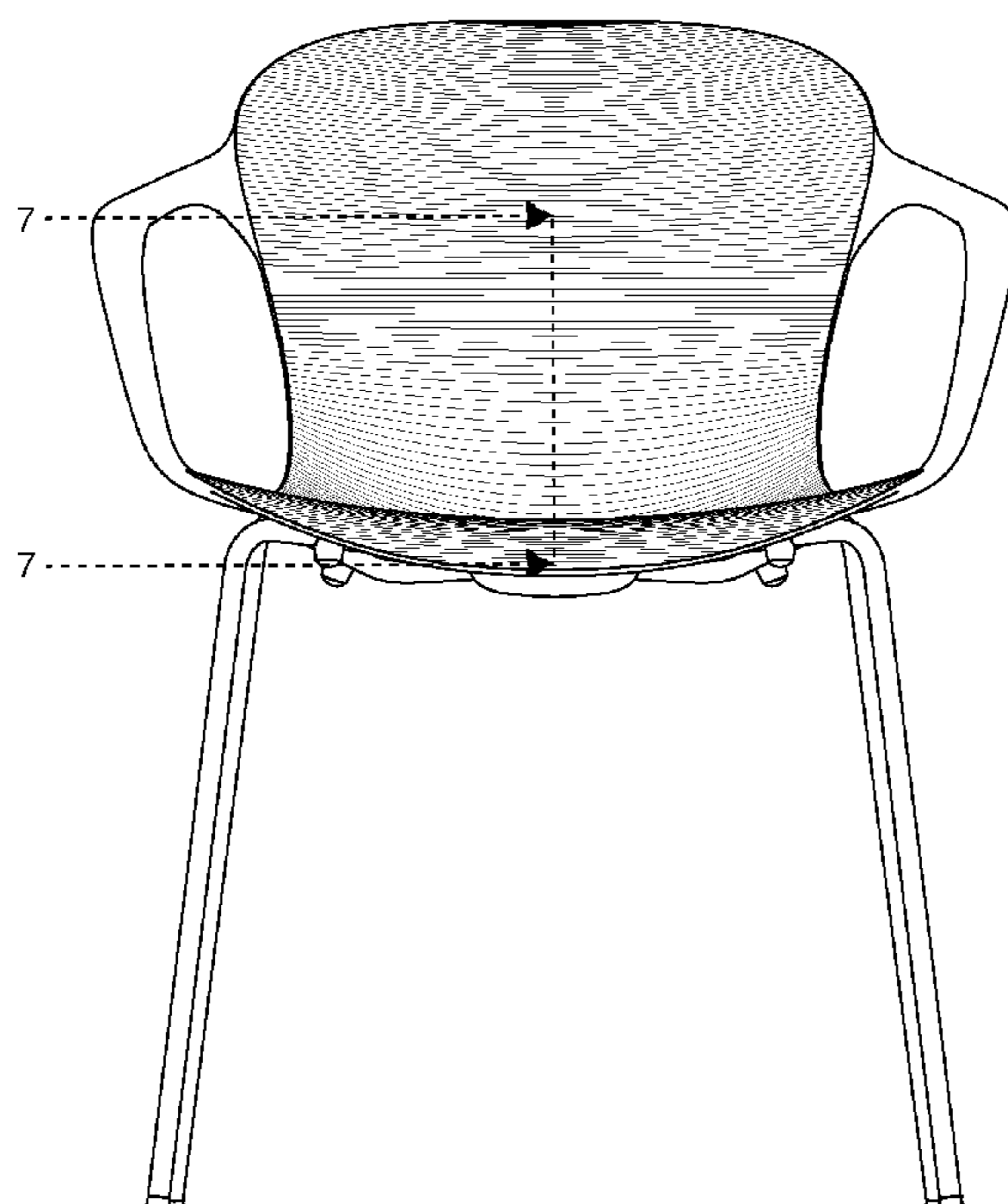
(57) **CLAIM**

The ornamental design for a chair, as shown and described.

DESCRIPTION

FIG. 1 is a front view of a chair showing my design;
FIG. 2 is a left side view thereof, the right side view being a mirror image thereof;
FIG. 3 is a top view thereof;
FIG. 4 is a perspective view thereof;
FIG. 5 is a rear view thereof;
FIG. 6 is a bottom view thereof; and,
FIG. 7 is a partial cross-sectional view of a seating portion of the chair taken along the line 7-7 of FIG. 1.

1 Claim, 7 Drawing Sheets



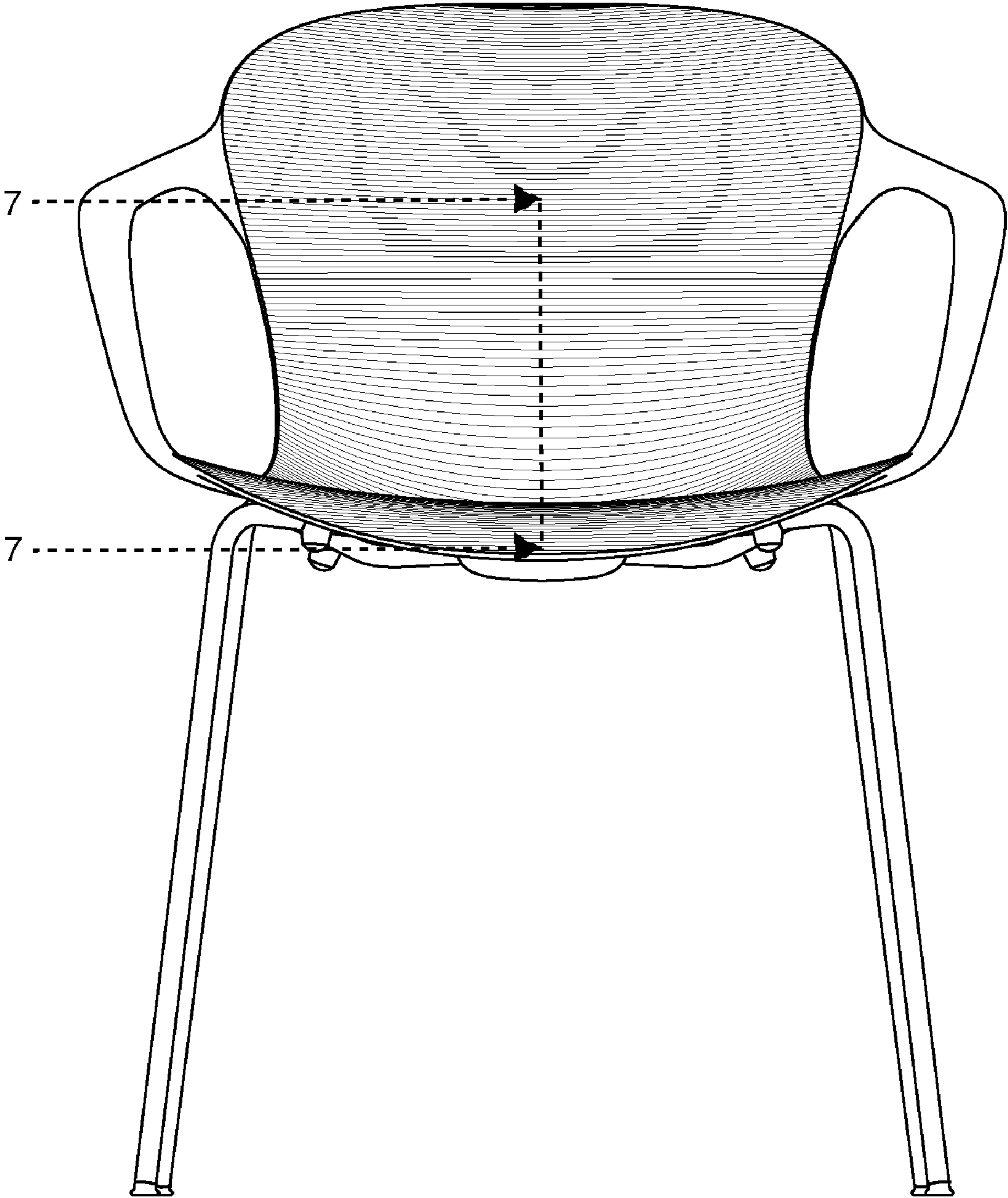


FIG. 1

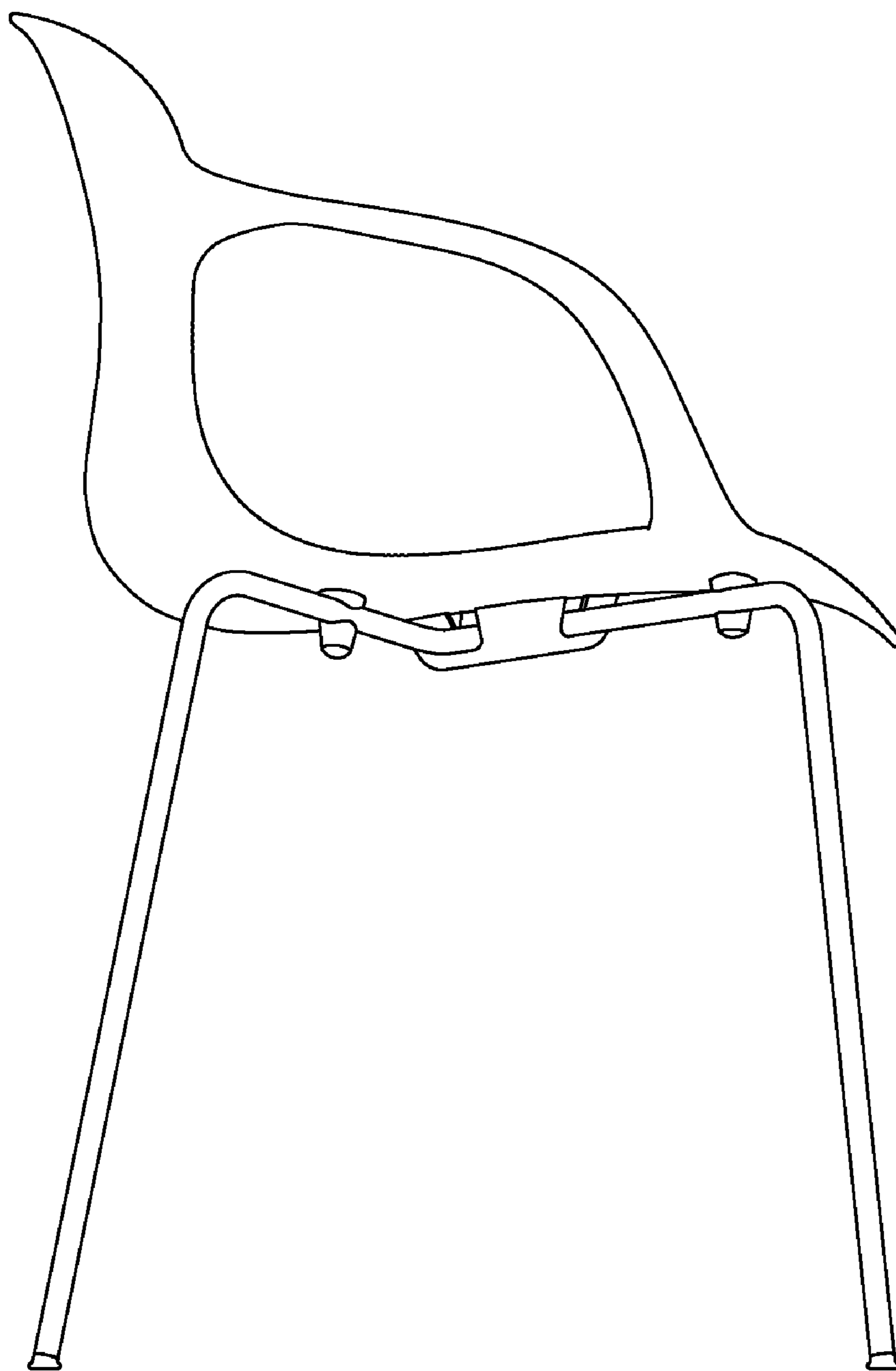


FIG. 2

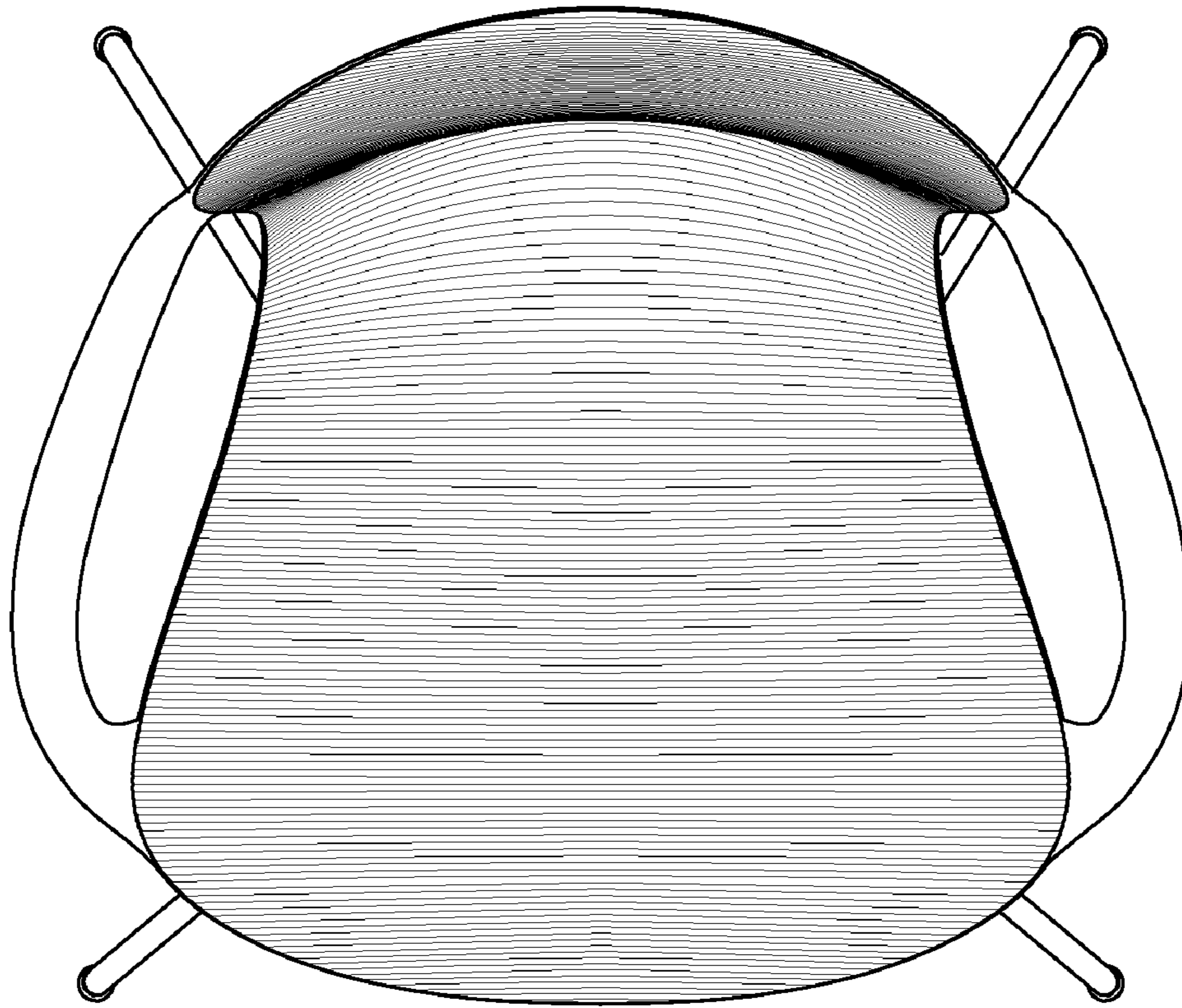


FIG. 3



FIG. 4

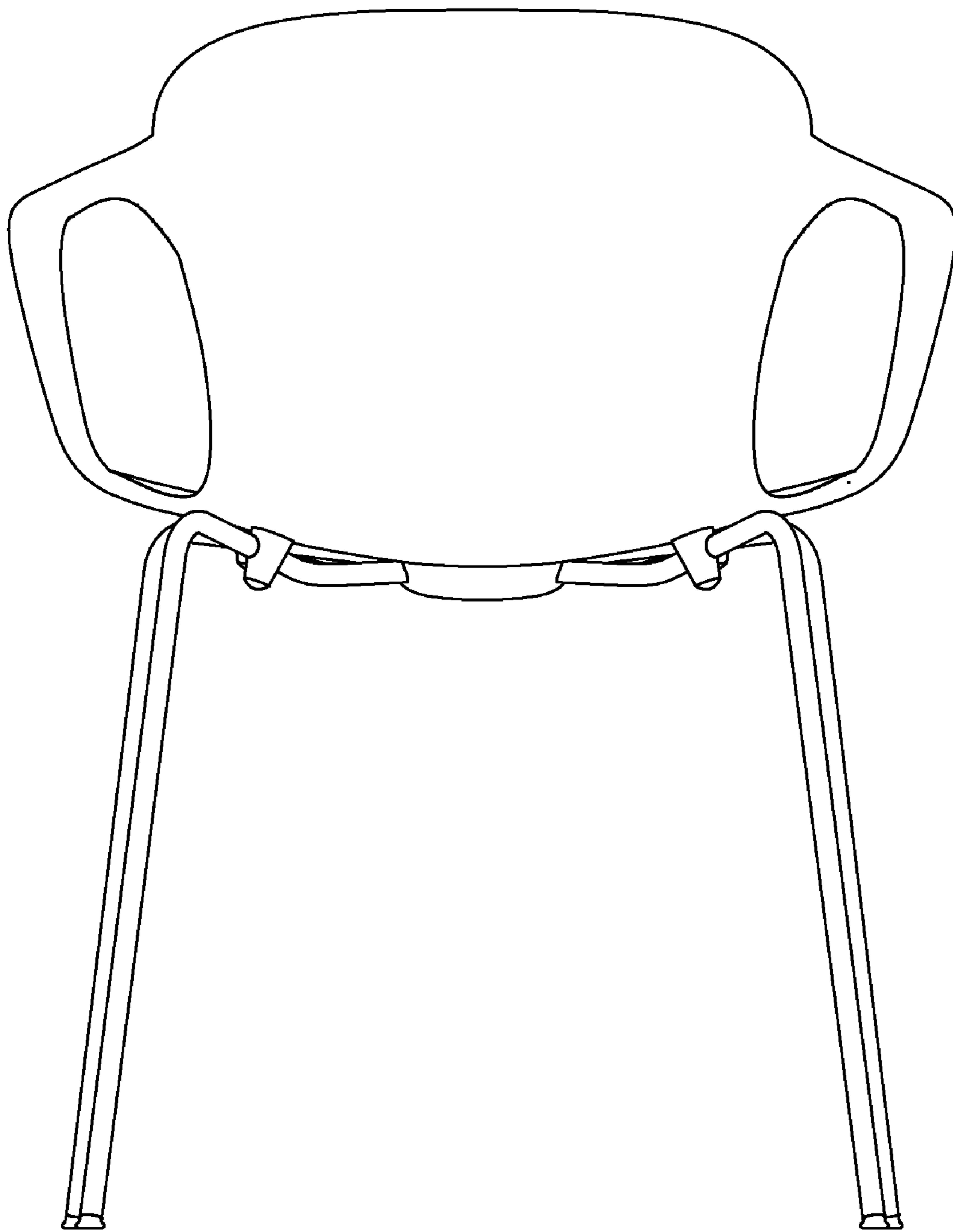


FIG. 5

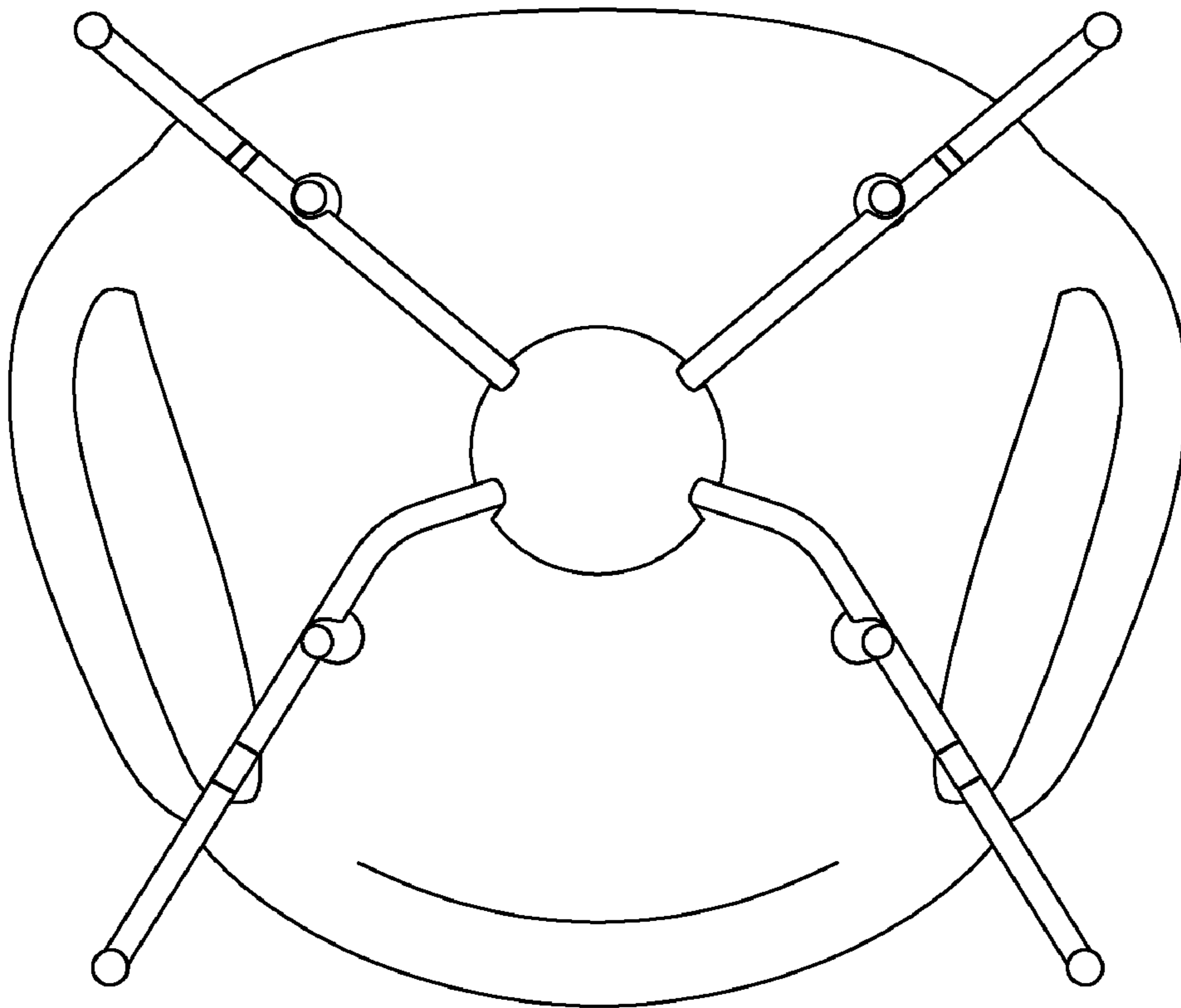


FIG. 6

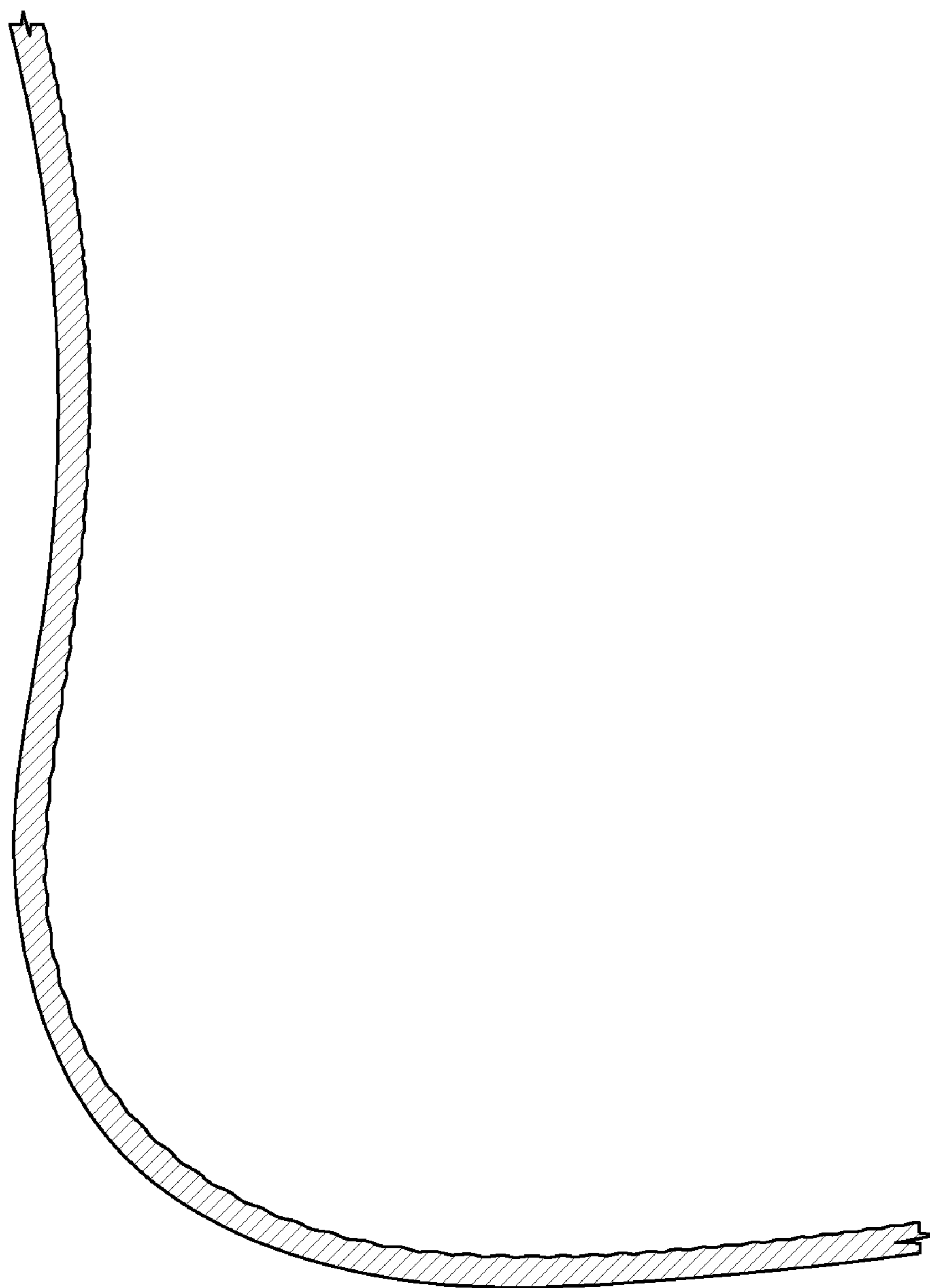


FIG. 7