



US00D649796S

(12) **United States Design Patent**
Lievore et al.

(10) **Patent No.:** **US D649,796 S**
(45) **Date of Patent:** **** Dec. 6, 2011**

(54) **CHAIR**

(75) Inventors: **Alberto Lievore**, Barcelona (ES);
Jannette Altherr, Barcelona (ES);
Manuel Molina, Barcelona (ES)

(73) Assignee: **Arper S.p.A.**, Treviso (IT)

(**) Term: **14 Years**

(21) Appl. No.: **29/390,060**

(22) Filed: **Apr. 19, 2011**

(30) **Foreign Application Priority Data**

Oct. 20, 2010 (WO) 569740101

(51) **LOC (9) Cl.** **06-01**

(52) **U.S. Cl.** **D6/366**

(58) **Field of Classification Search** D6/334-336,
D6/360, 364, 365, 366, 371-373, 374, 375,
D6/376, 379, 380, 498, 500-502; 297/411.29,
297/452.12, 452.14, 452.19, 452.21, 452.26

See application file for complete search history.

(56) **References Cited**

U.S. PATENT DOCUMENTS

D235,233	S	*	6/1975	Prizlow	D6/366
D260,056	S	*	8/1981	Sapper	D6/366
D260,204	S	*	8/1981	Sapper	D6/366
D270,311	S	*	8/1983	Ochsner	D6/366
D550,466	S	*	9/2007	Molina et al.	D6/366
D565,317	S	*	4/2008	Molina et al.	D6/375
D586,135	S	*	2/2009	Lievore	D6/366
D602,273	S	*	10/2009	Starzewski	D6/366
D638,231	S	*	5/2011	Lievore et al.	D6/375

* cited by examiner

Primary Examiner — Mimosa De

(74) *Attorney, Agent, or Firm* — Shoemaker and Mattare

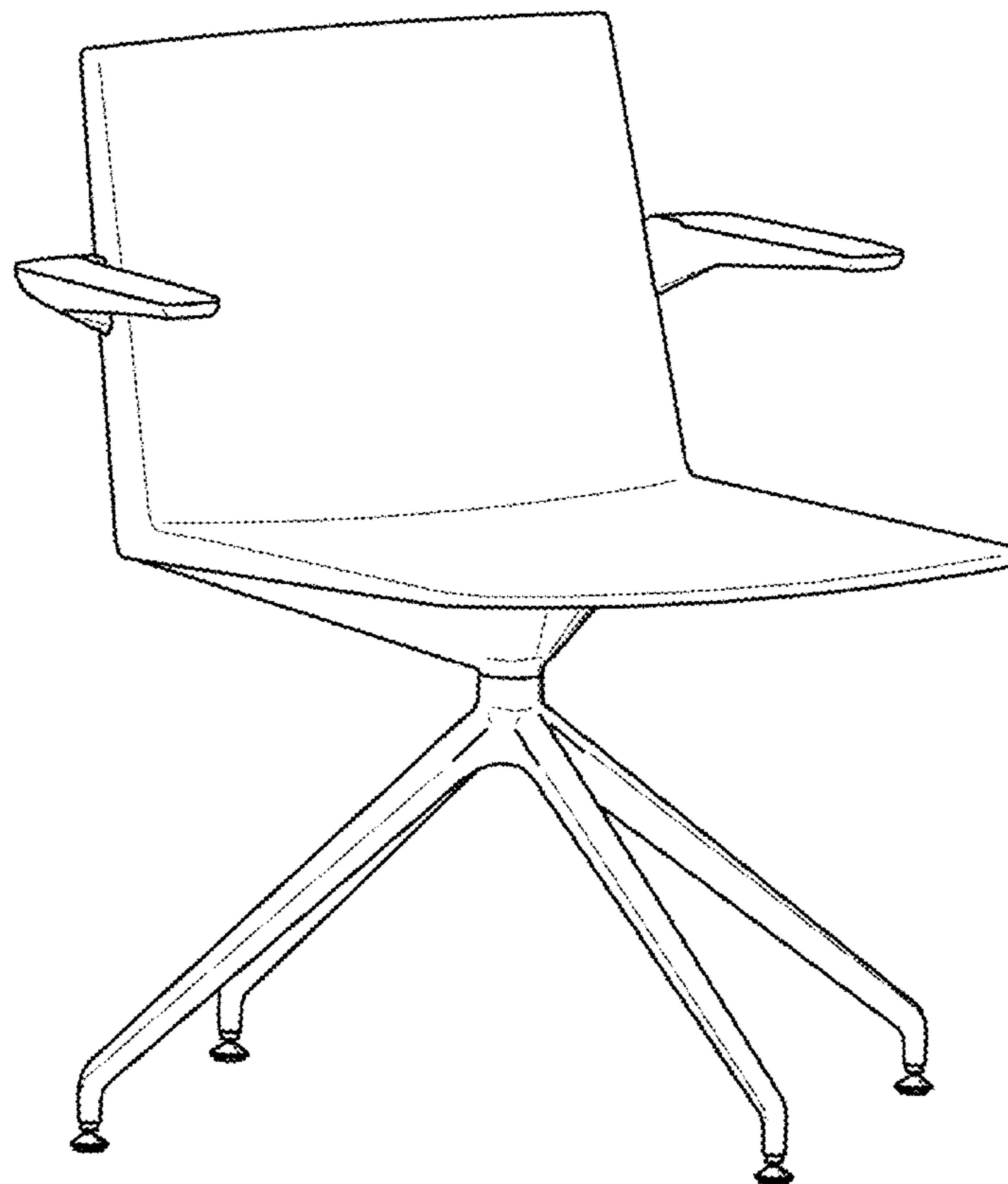
(57) **CLAIM**

The ornamental design for a chair, as shown and described.

DESCRIPTION

FIG. 1 is a perspective view of a chair, showing our new design from the front and right side;
FIG. 2 is a right side elevational view thereof;
FIG. 3 is a left side elevational view thereof;
FIG. 4 is a front elevational view thereof;
FIG. 5 is a rear elevational view thereof;
FIG. 6 is a top plan view thereof; and,
FIG. 7 is a bottom plan view thereof.

1 Claim, 7 Drawing Sheets



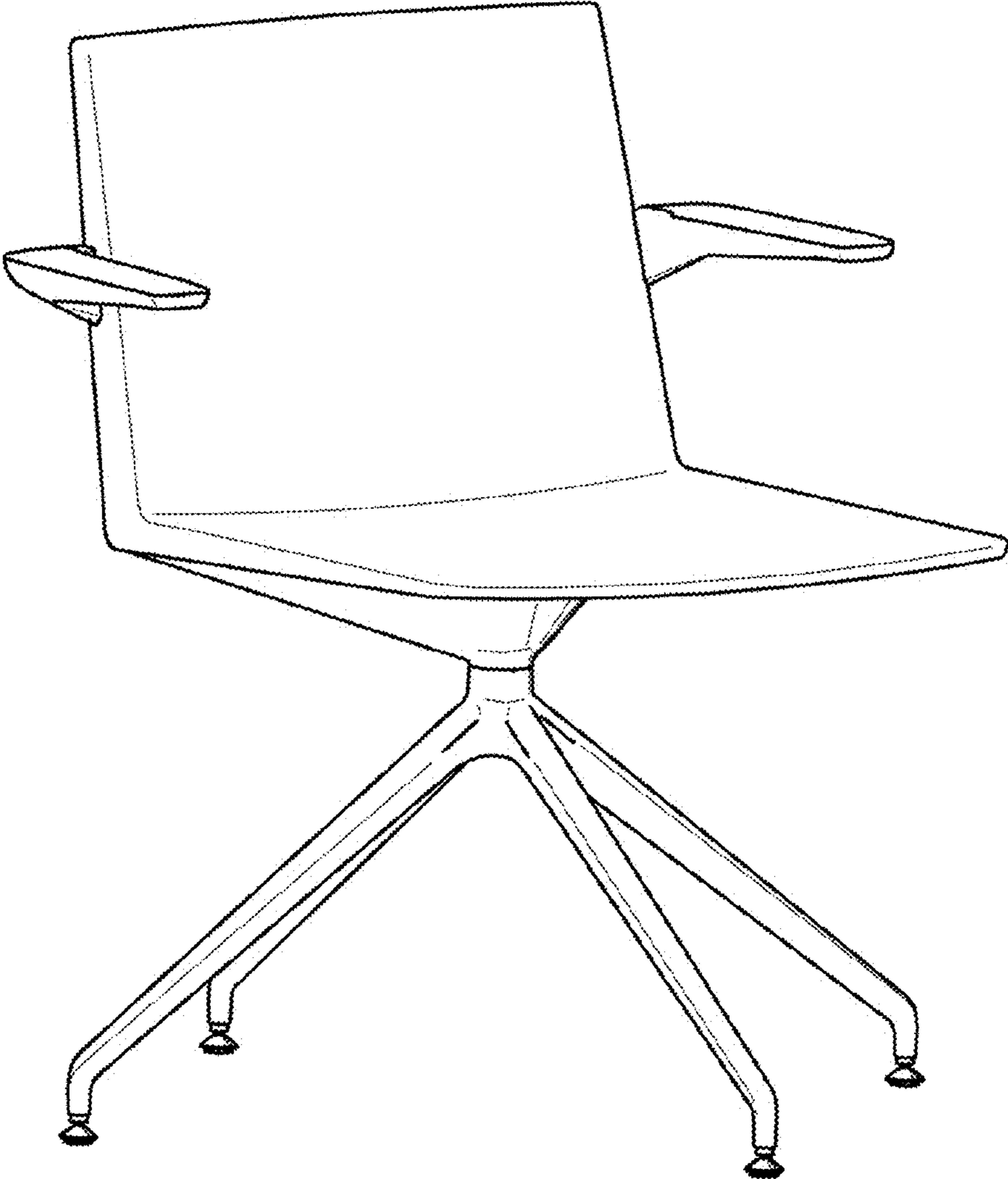


Fig. 1



Fig. 2



Fig. 3

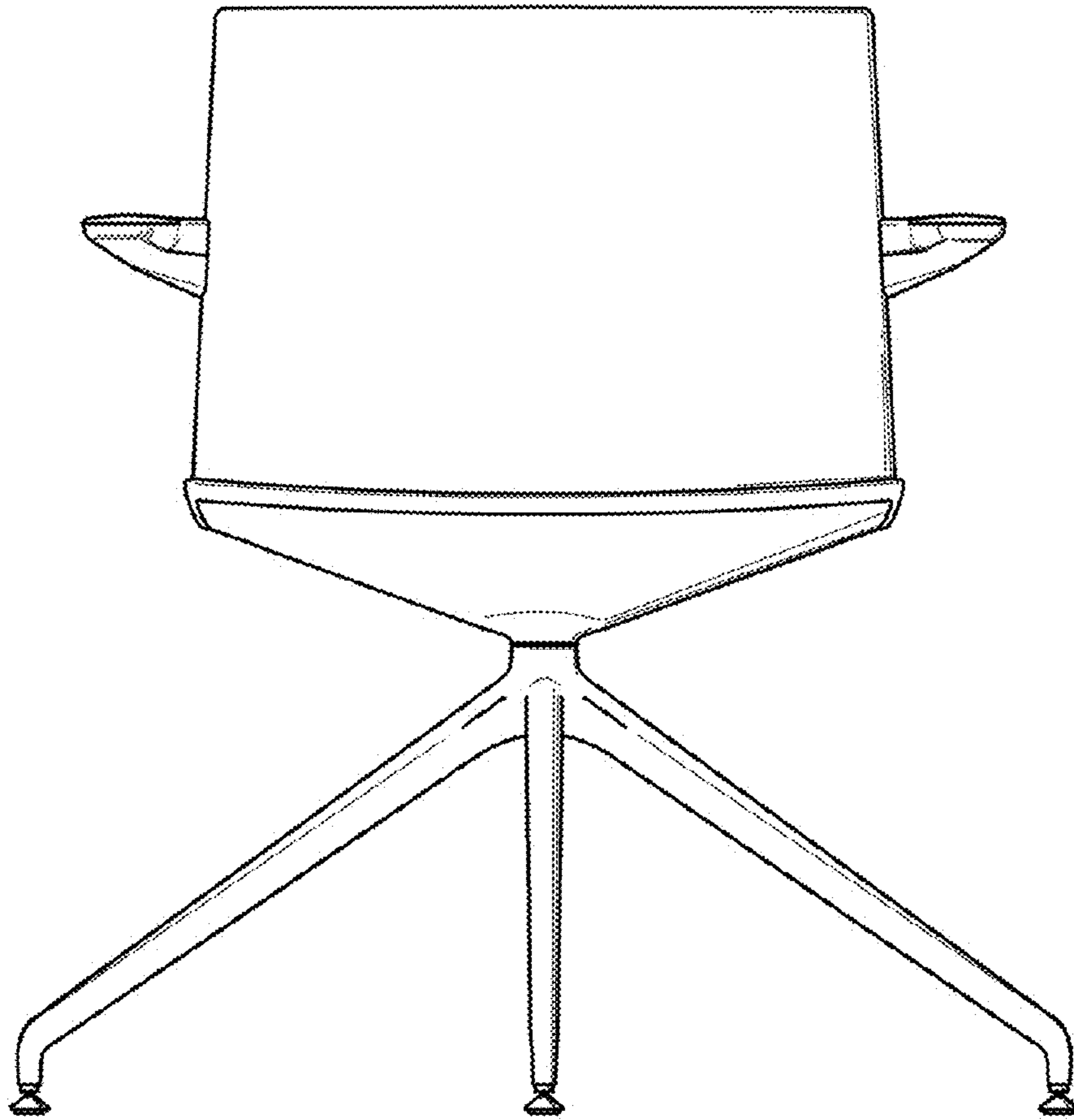


Fig. 4

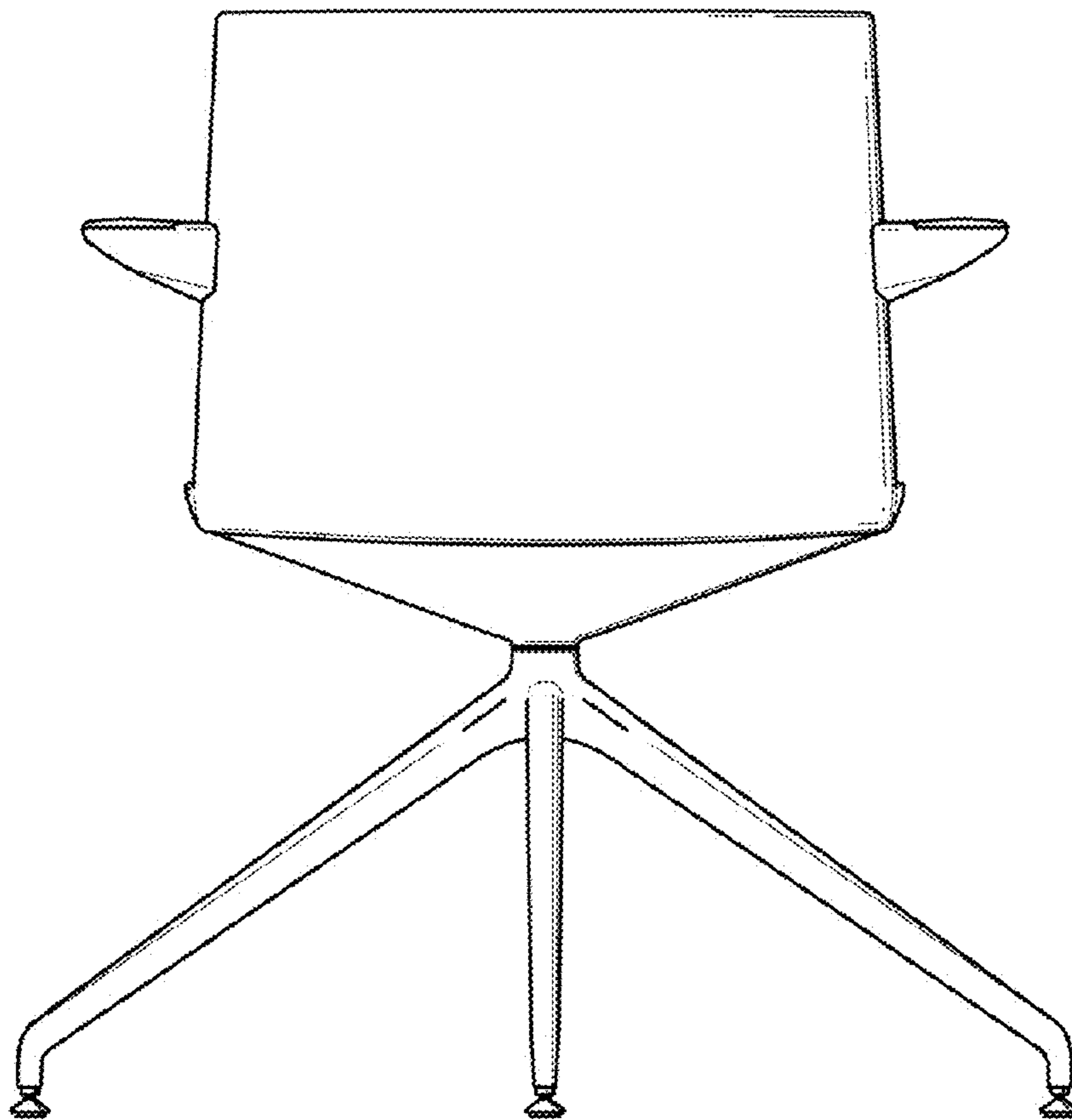


Fig. 5

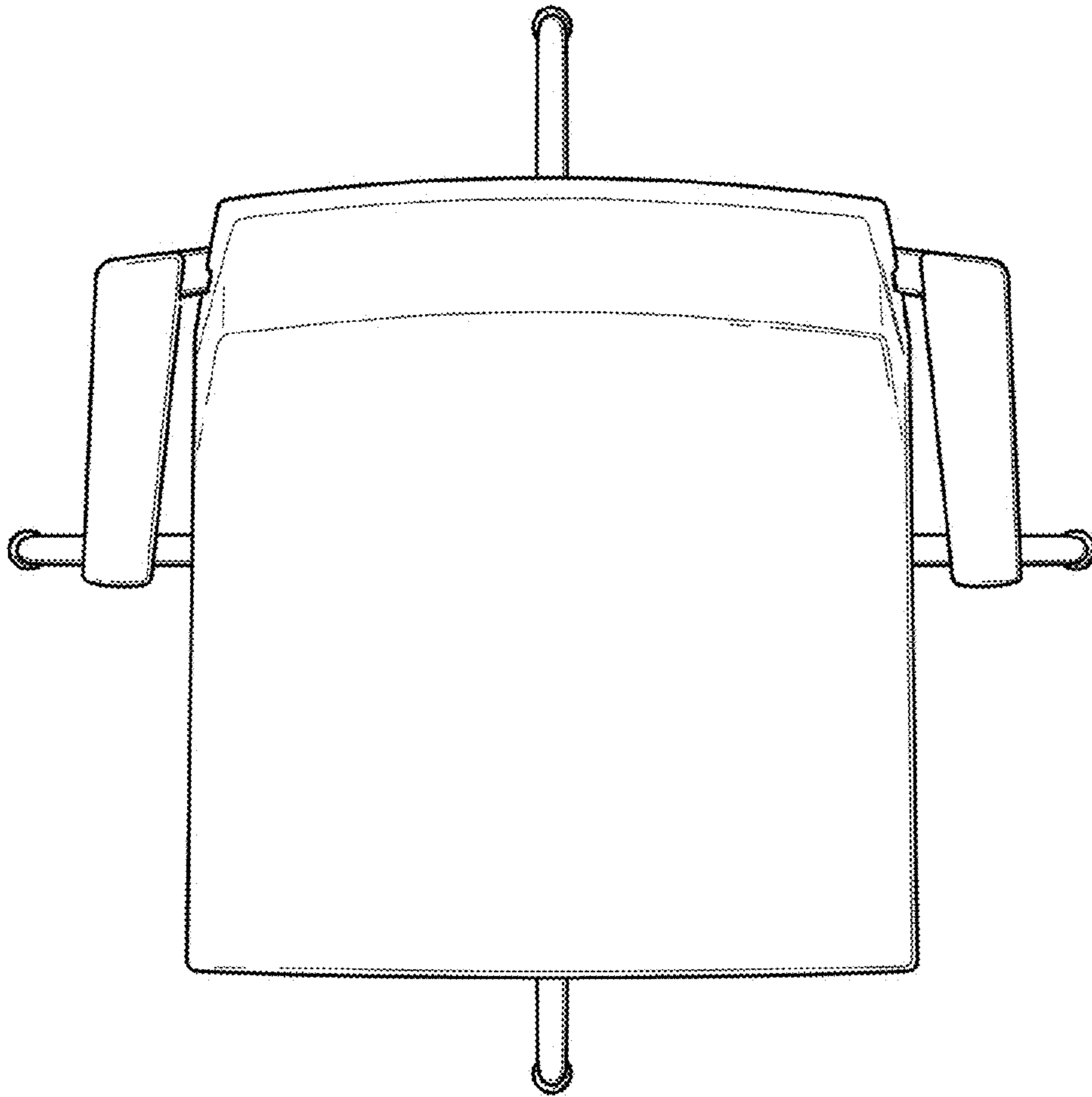


Fig. 6

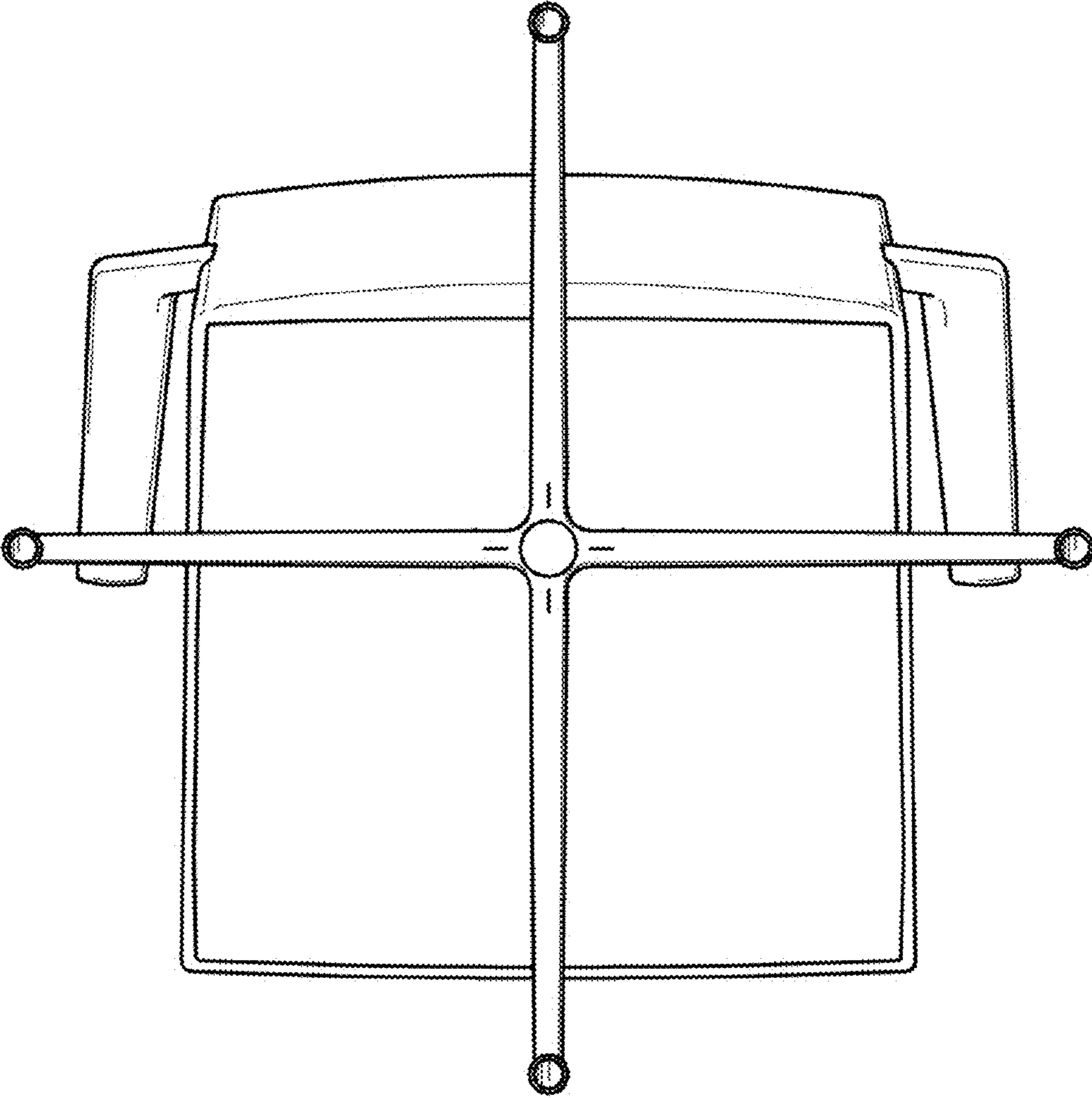


Fig. 7