



US00D649794S

(12) **United States Design Patent**
Lievore et al.

(10) **Patent No.:** **US D649,794 S**

(45) **Date of Patent:** **** Dec. 6, 2011**

(54) **SEAT**

(75) Inventors: **Alberto Lievore**, Barcelona (ES);
Jean-Marie Massaud, Paris (FR);
Simon Pengelly, London (GB)

(73) Assignee: **Arper S.p.A.**, Monastier di Treviso (IT)

(**) Term: **14 Years**

(21) Appl. No.: **29/392,325**

(22) Filed: **May 19, 2011**

Related U.S. Application Data

(62) Division of application No. 29/267,565, filed on Oct. 17, 2006, now Pat. No. Des. 368,231.

(30) **Foreign Application Priority Data**

Apr. 21, 2006 (EM) 517206

(51) **LOC (9) Cl.** **06-01**

(52) **U.S. Cl.** **D6/361; D6/373**

(58) **Field of Classification Search** D6/334–336,
D6/361, 369, 370, 373, 374, 375, 376, 379,
D6/380, 500–502; 297/423.1, 445.1, 446.1,
297/447.2, 448.1, 448.2, 451.7, 452.13, 452.18,
297/452.19, 452.63, 452.64

See application file for complete search history.

(56) **References Cited**

U.S. PATENT DOCUMENTS

D109,420	S	*	4/1938	Rogers	D6/361
RE24,964	E	*	4/1961	Eames	297/445.1
D200,308	S	*	2/1965	Klausen	D6/375
D236,861	S	*	9/1975	Conrad et al.	D6/361
D291,948	S	*	9/1987	Conn	D6/361
D349,611	S	*	8/1994	Kipperman	D6/361
D533,367	S	*	12/2006	Marin	D6/361
D558,479	S	*	1/2008	Lievore	D6/375

* cited by examiner

Primary Examiner — Mimoso De

(74) *Attorney, Agent, or Firm* — Scully, Scott, Murphy & Presser, P.C.

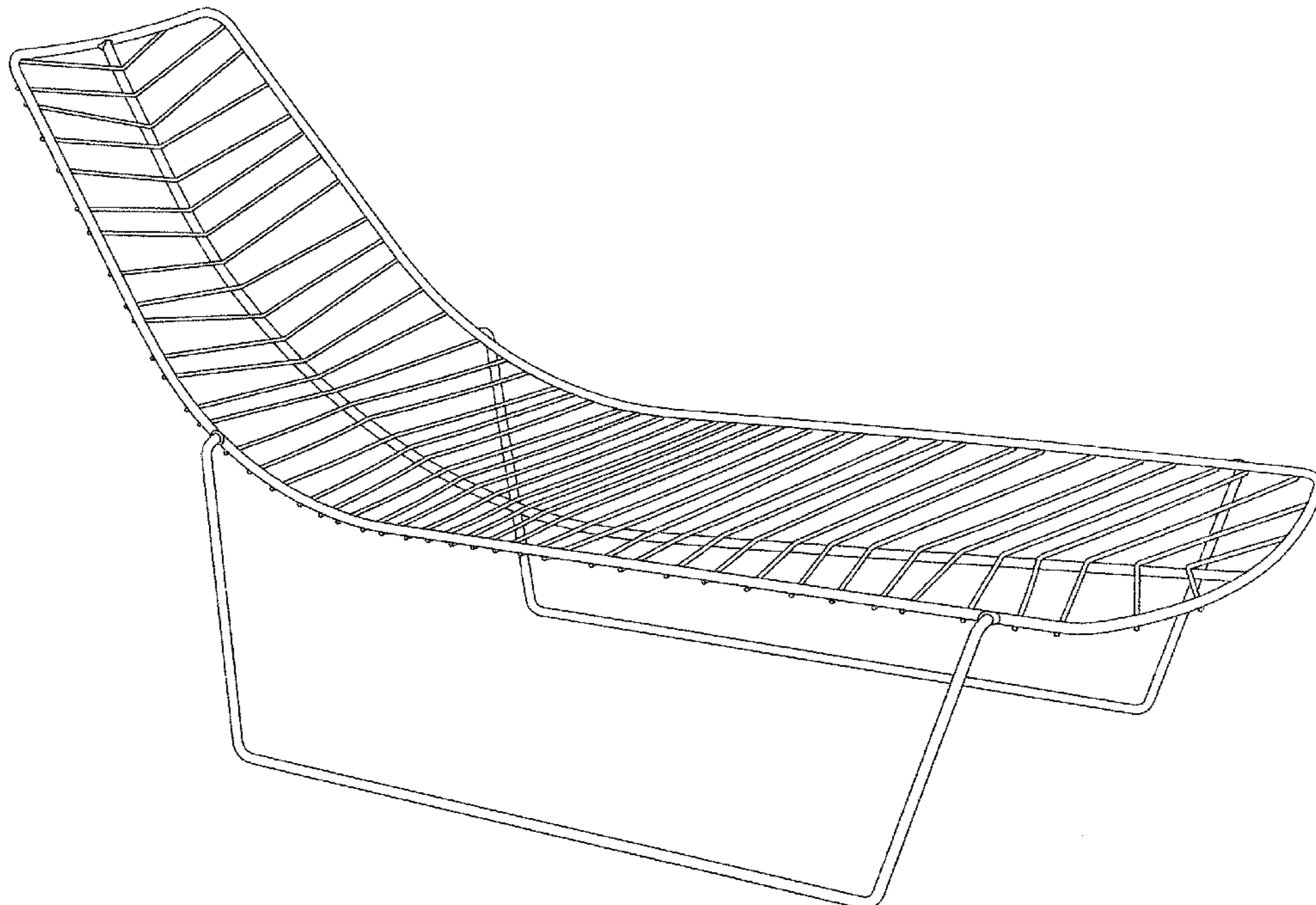
(57) **CLAIM**

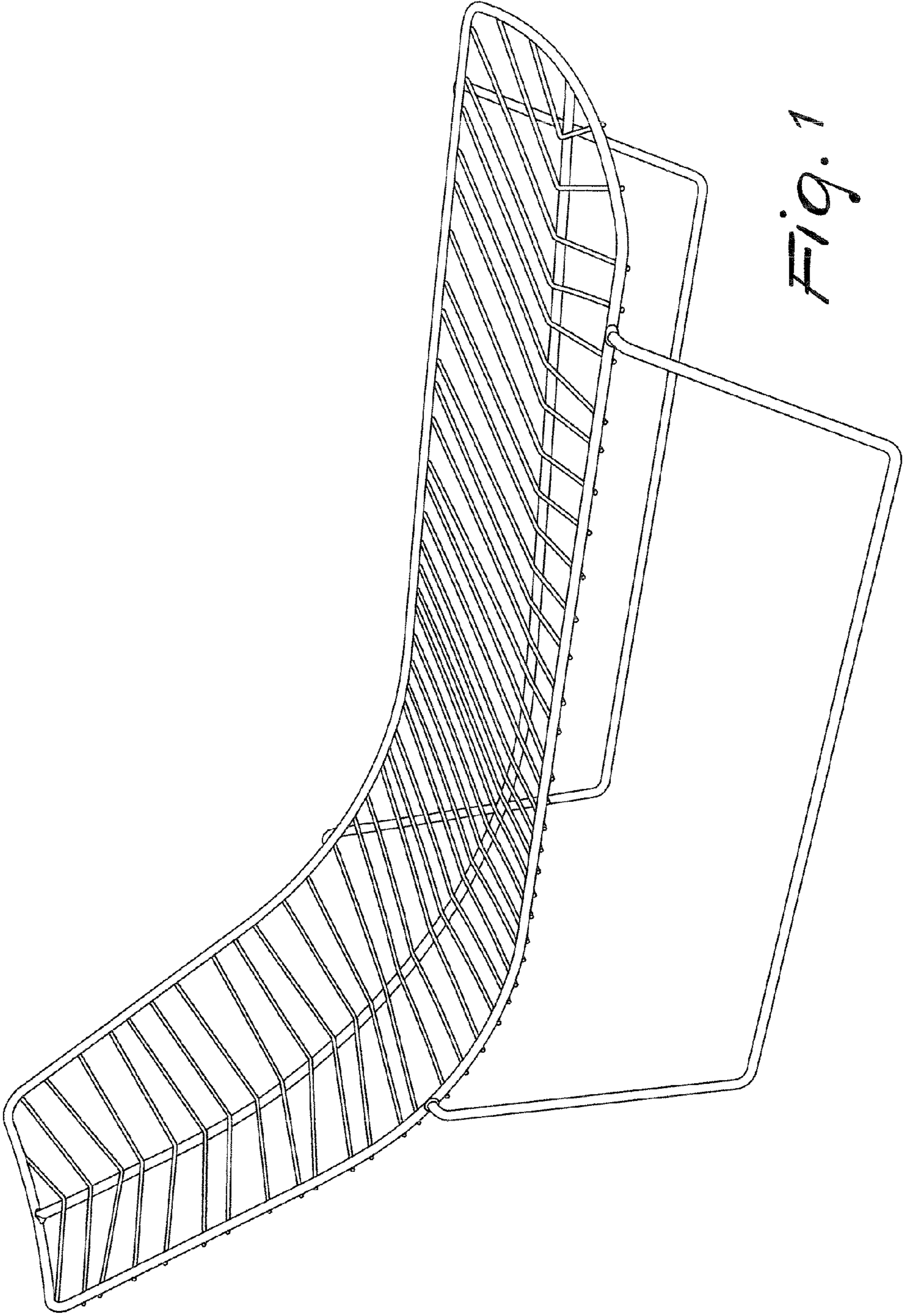
The ornamental design for “seat”, as shown and described.

DESCRIPTION

FIG. 1 is a perspective view of the seat, showing our new and ornamental design;
FIG. 2 is a front view thereof;
FIG. 3 is a rear view thereof;
FIG. 4 is a plan view from above thereof;
FIG. 5 is a plan view from below thereof;
FIG. 6 is a left side view thereof; and,
FIG. 7 is a right side view thereof.

1 Claim, 7 Drawing Sheets





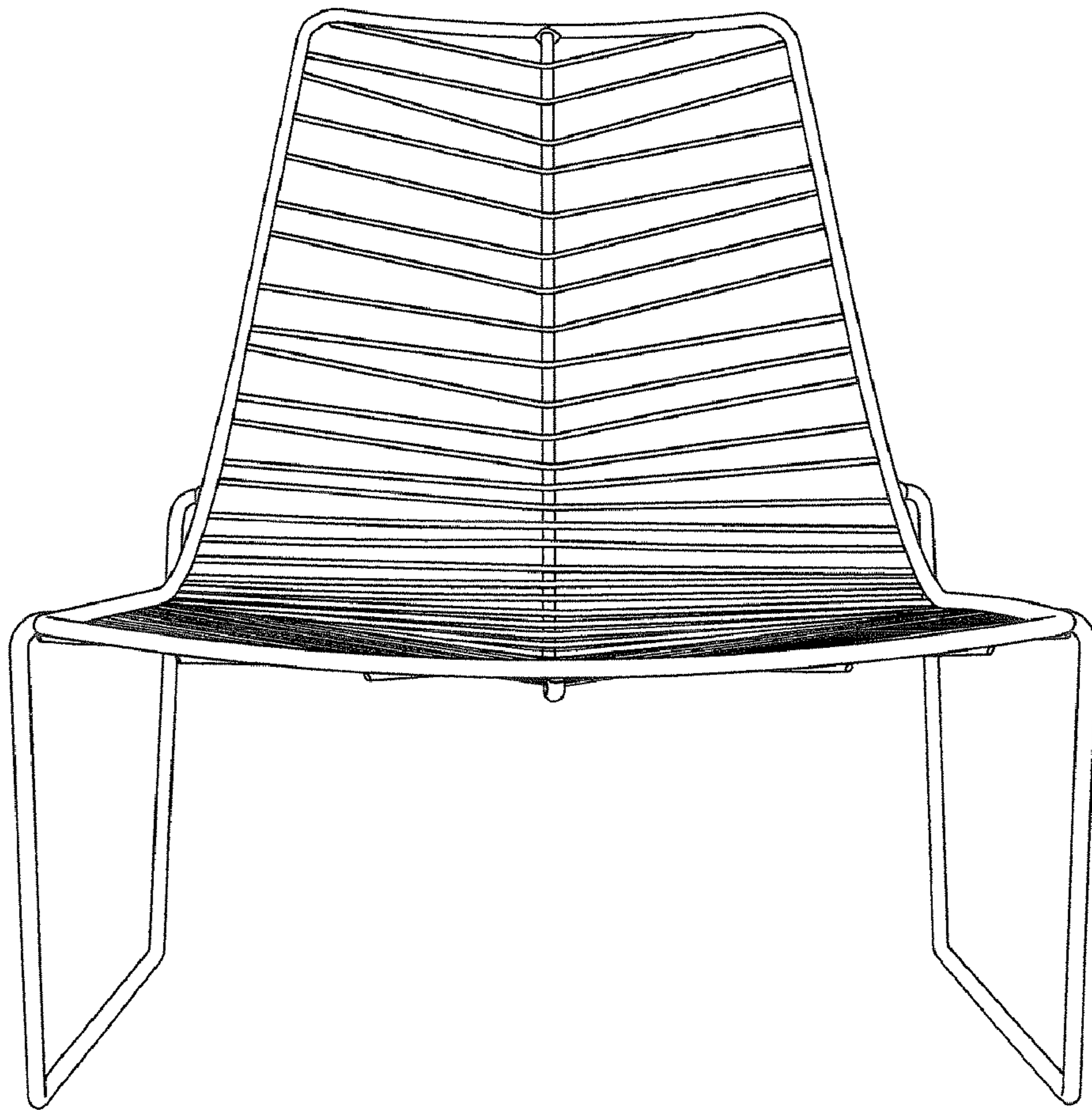


Fig. 2

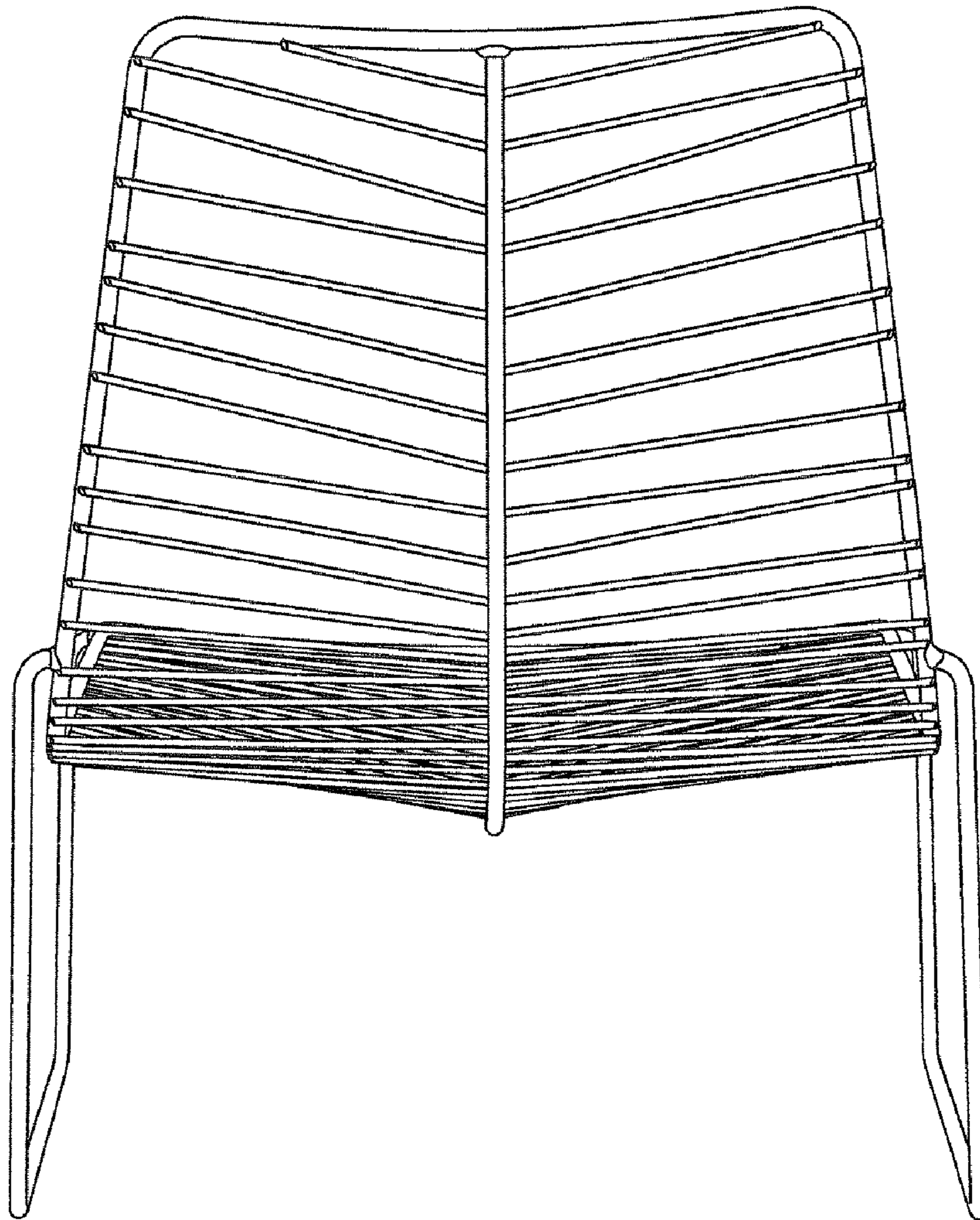


Fig. 3

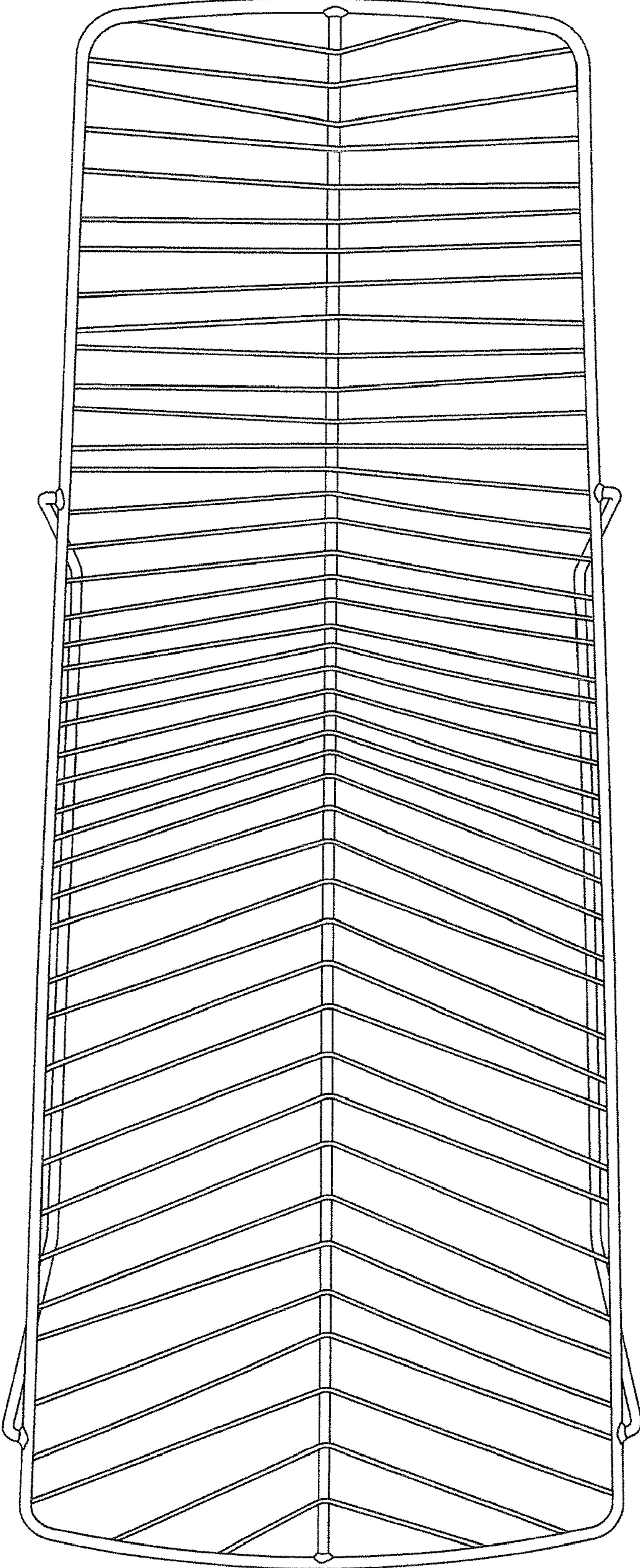


Fig. 4

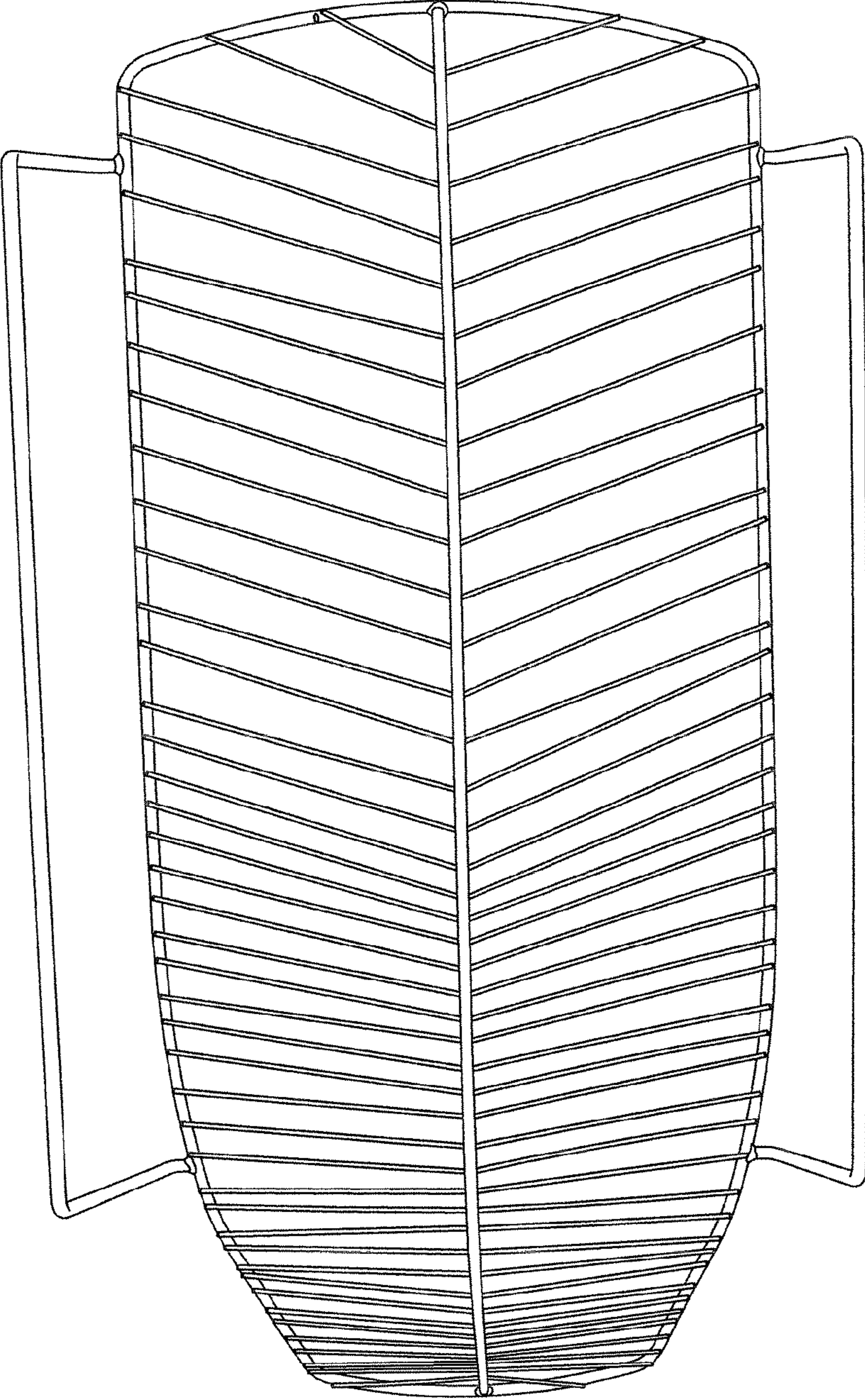


Fig. 5

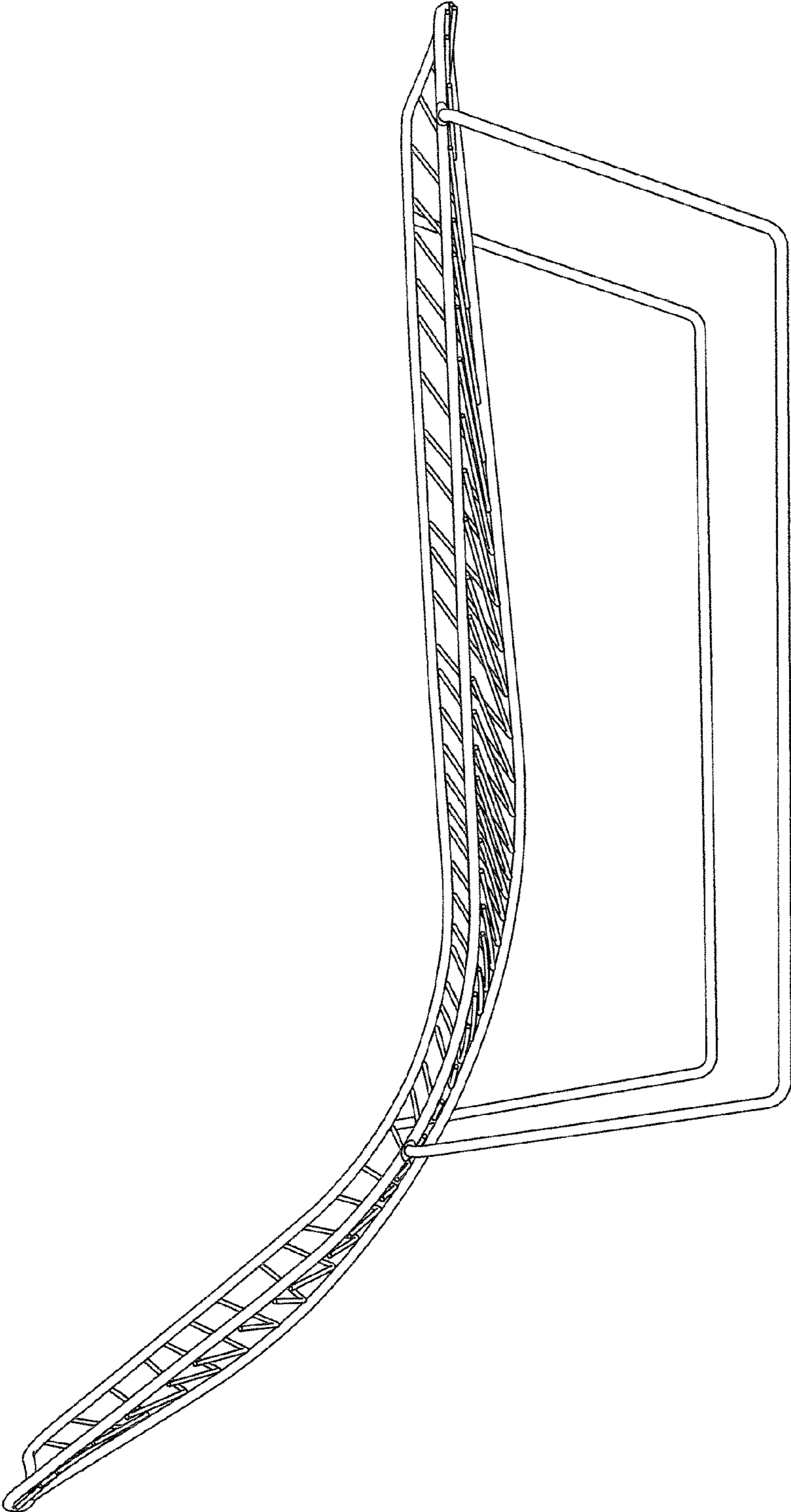


Fig. 6

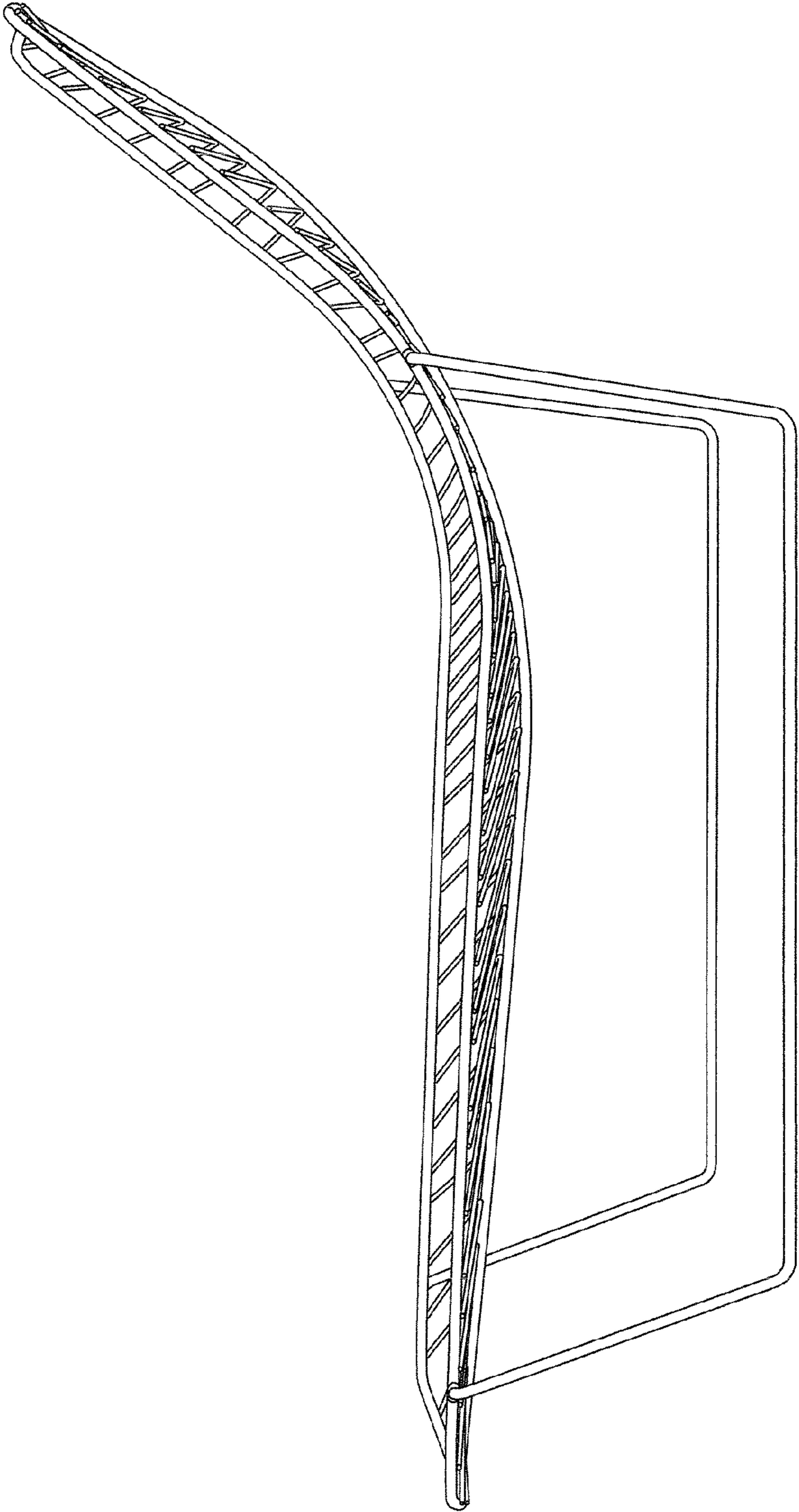


Fig. 7