



US00D649791S

(12) **United States Design Patent**
Holzapfel

(10) **Patent No.:** **US D649,791 S**

(45) **Date of Patent:** **** Dec. 6, 2011**

(54) **PART OF FURNITURE FITTING**

(75) Inventor: **Andreas Holzapfel**, Bregenz (AT)

(73) Assignee: **Julius Blum GmbH**, Hochst (AT)

(**) Term: **14 Years**

(21) Appl. No.: **29/362,374**

(22) Filed: **May 25, 2010**

(51) **LOC (9) Cl.** **08-06**

(52) **U.S. Cl.** **D6/323**

(58) **Field of Classification Search** D8/323-329;
16/234-237, 239-241, 245-246, 249, 254,
16/261-262, 265, 272, 277, 307, 319, 335,
16/339, 342, 379, 381-389; 4/236-240;
D23/303; 248/200, 221, 11, 300, 309.1,
248/317; D7/334, 337, 402

See application file for complete search history.

(56) **References Cited**

U.S. PATENT DOCUMENTS

D272,123 S *	1/1984	Rock et al.	D8/323
D272,124 S *	1/1984	Rock et al.	D8/323
D272,211 S *	1/1984	Rock et al.	D8/354
D309,247 S *	7/1990	Grass	D8/323

D451,000 S *	11/2001	Karl	D8/323
D477,982 S *	8/2003	Domenig et al.	D8/323
D493,350 S *	7/2004	Wegman	D8/323
D493,351 S *	7/2004	Wegman	D8/323
D497,534 S *	10/2004	Wegman	D8/323
D523,323 S *	6/2006	Domenig et al.	D8/323

* cited by examiner

Primary Examiner — Zenia Bennett

(74) *Attorney, Agent, or Firm* — Wenderoth, Lind & Ponack, L.L.P.

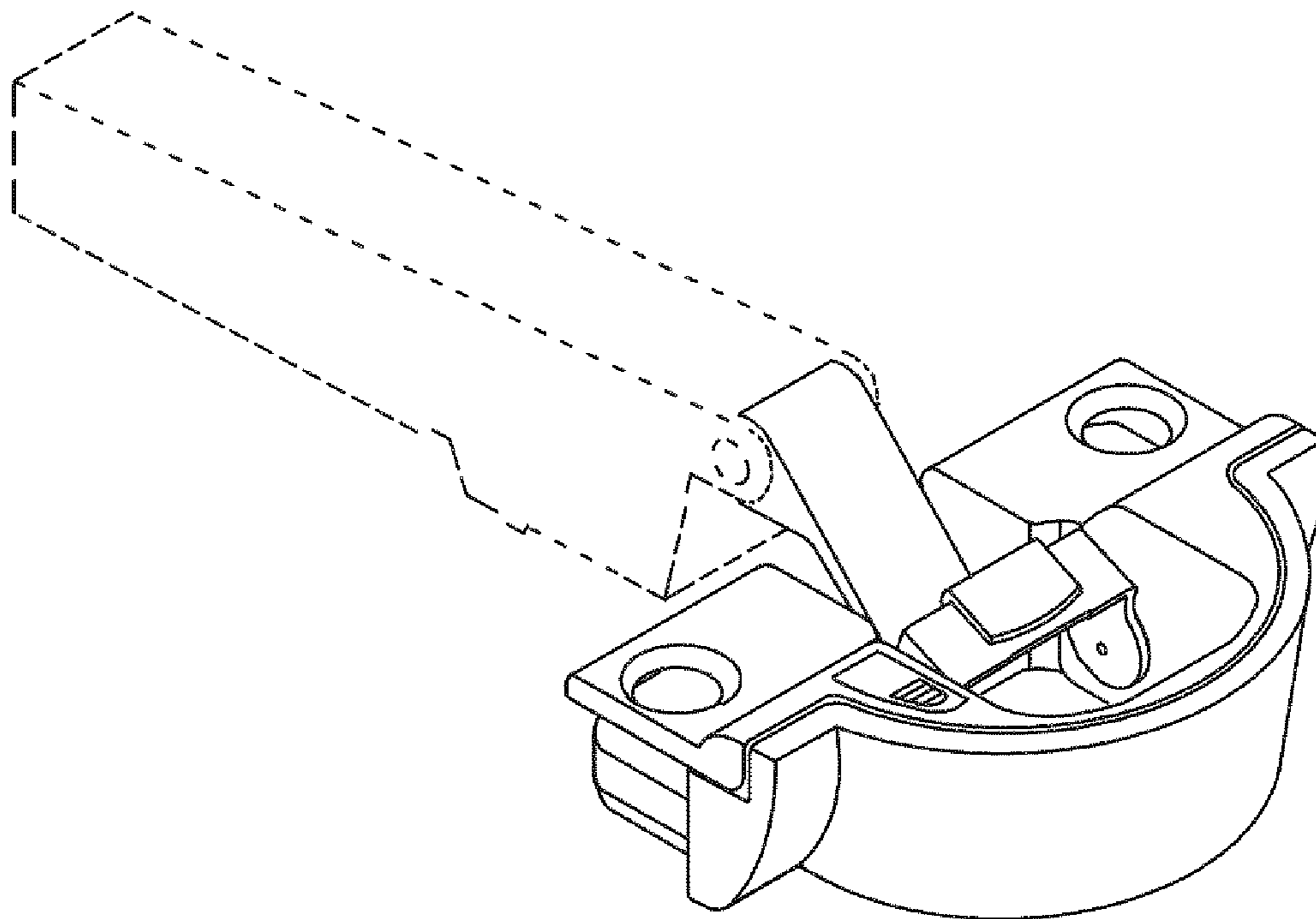
(57) **CLAIM**

The ornamental design for a part of furniture fitting, as shown and described.

DESCRIPTION

FIG. 1 is a perspective view of part of furniture fitting;
FIG. 2 is a left side view thereof;
FIG. 3 is a front view thereof;
FIG. 4 is a rear view thereof;
FIG. 5 is a top view thereof;
FIG. 6 is a bottom view thereof; and,
FIG. 7 is a right side view thereof.
The broken lines are intended only to illustrate background, and form no portion of the claimed design.

1 Claim, 2 Drawing Sheets



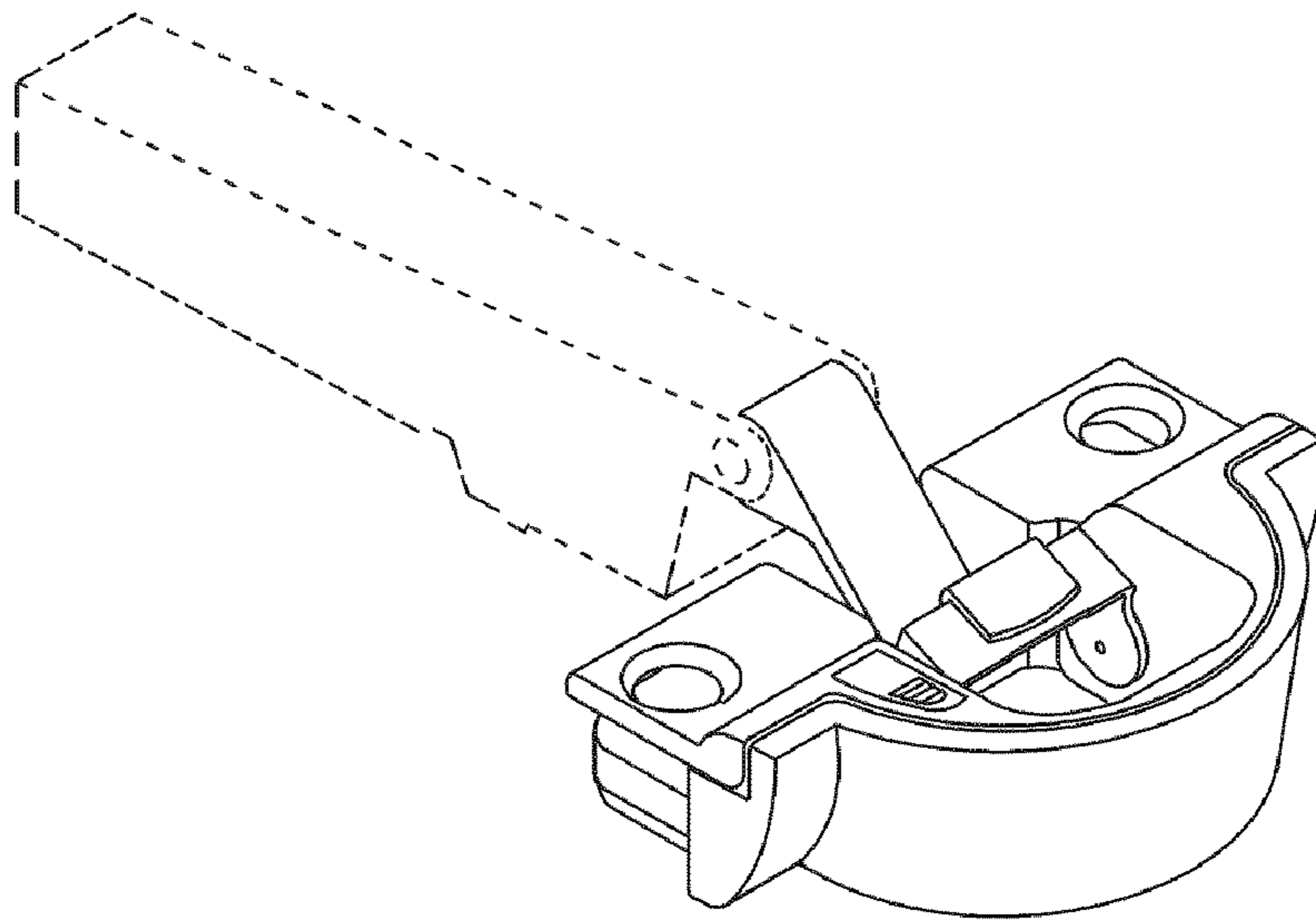


Fig. 1

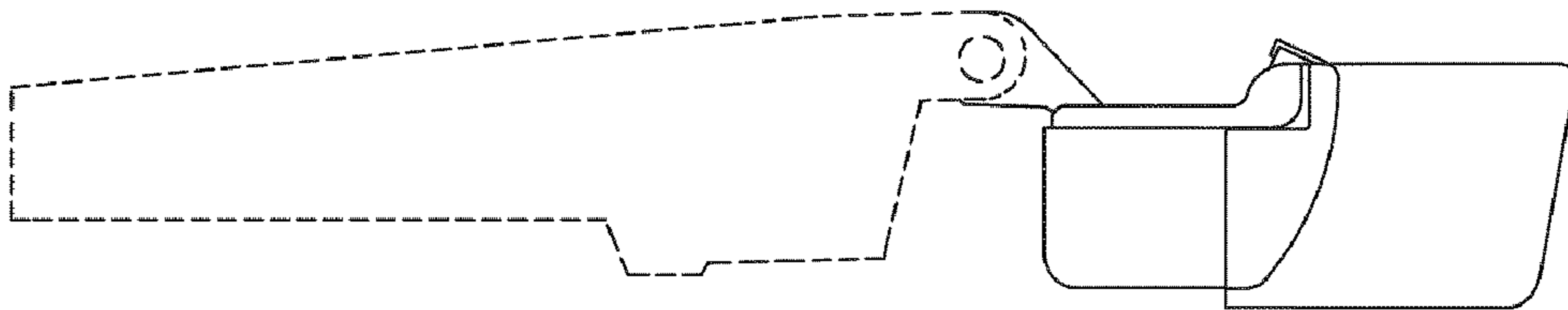


Fig. 2

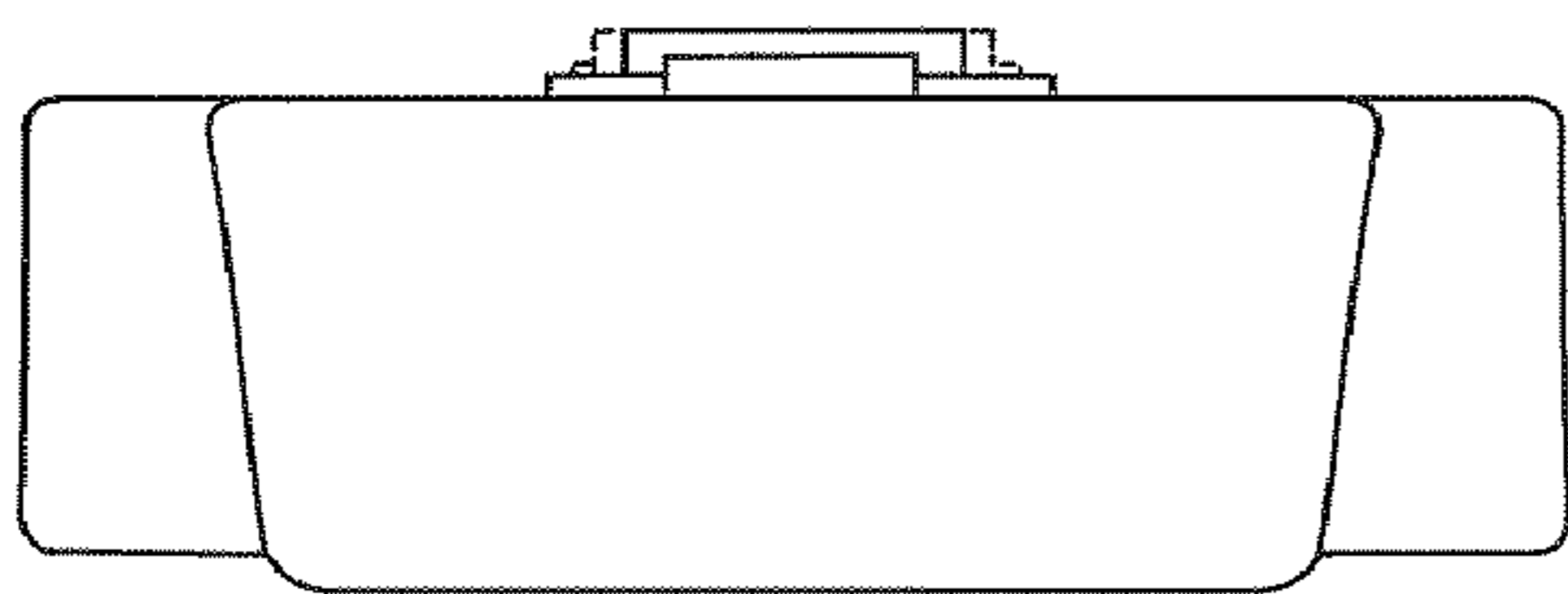


Fig. 3

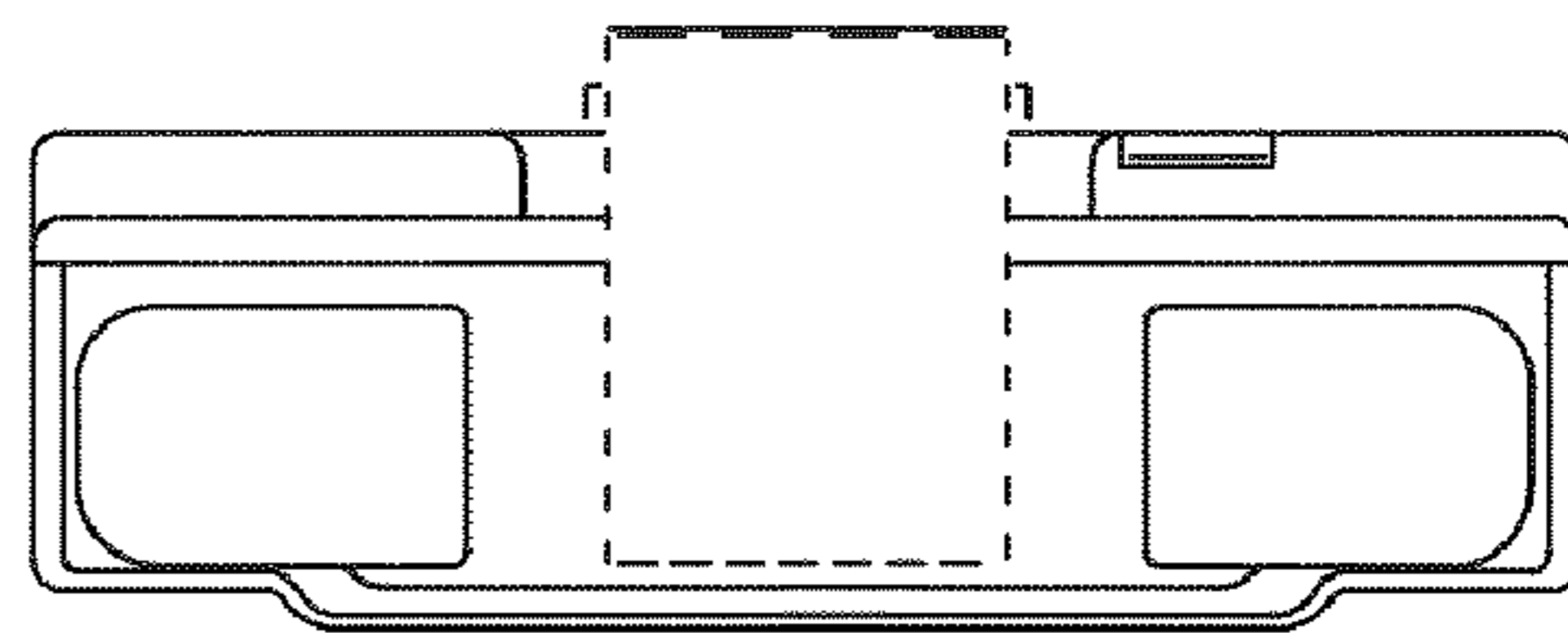


Fig. 4

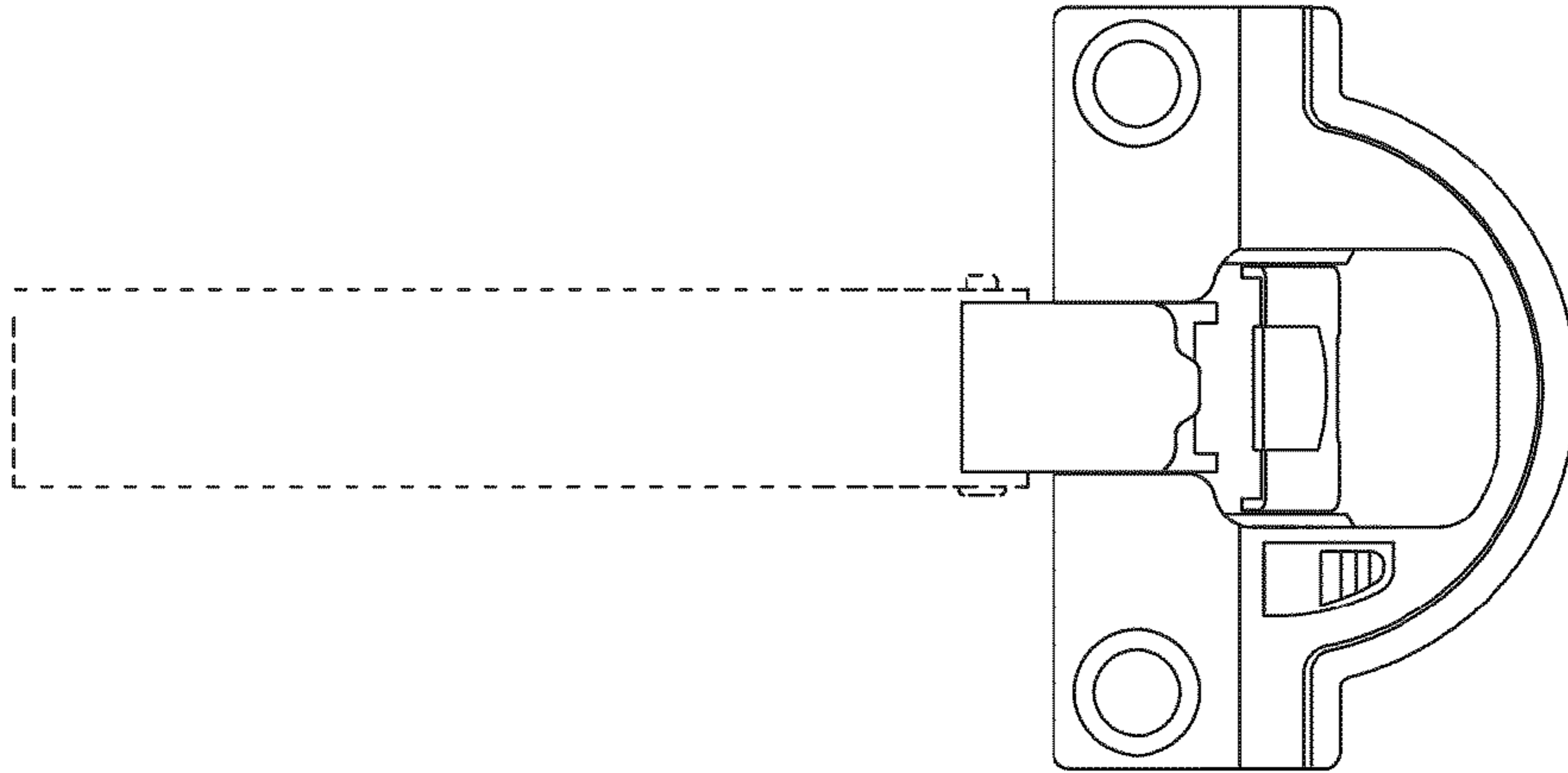


Fig. 5

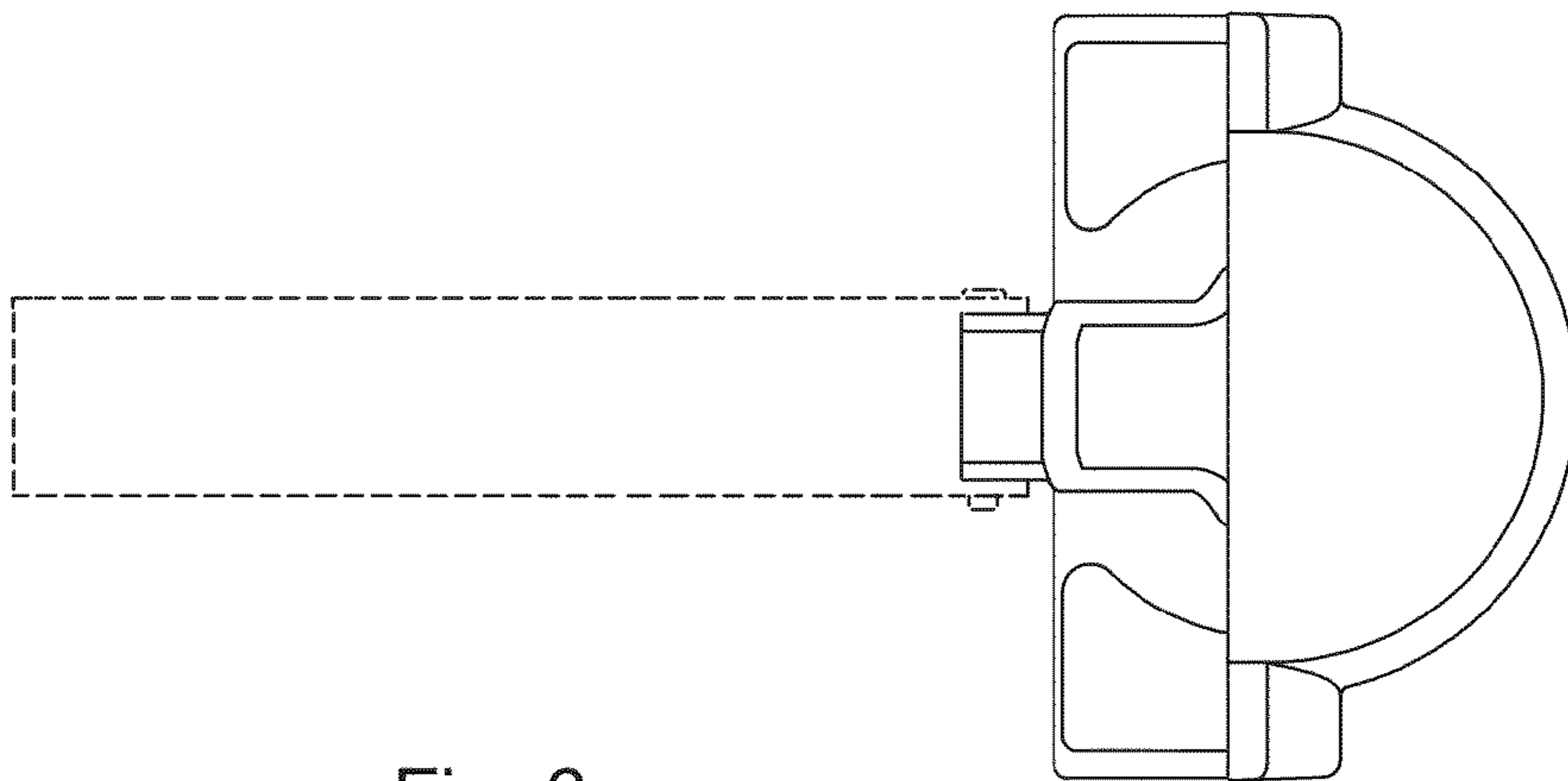


Fig. 6

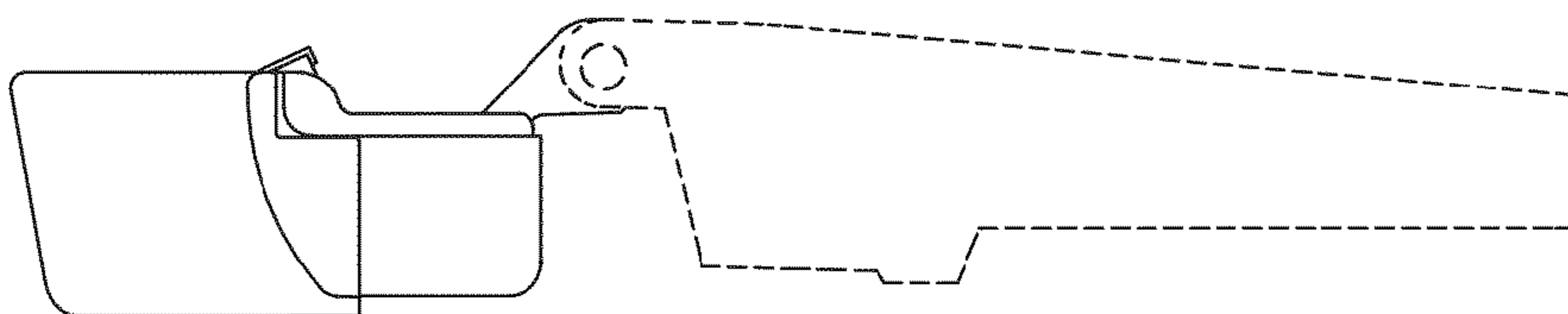


Fig. 7