



US00D649789S

(12) **United States Design Patent**
Chiu

(10) **Patent No.:** **US D649,789 S**

(45) **Date of Patent:** **** Dec. 6, 2011**

(54) **DISPLAY**

(76) **Inventor:** **Yi-Chung Chiu**, Taoyuan County (TW)

(**) **Term:** **14 Years**

(21) **Appl. No.:** **29/382,460**

(22) **Filed:** **Jan. 4, 2011**

(51) **LOC (9) Cl.** **06-07**

(52) **U.S. Cl.** **D6/308; D14/371**

(58) **Field of Classification Search** **D6/300–314;**
D10/15, 20, 21, 24, 75; D14/128, 371, 372,
D14/448, 449, 450, 374, 240, 126, 381, 382,
D14/336, 337; 40/700, 768, 717, 714, 721,
40/735, 773; D20/10

See application file for complete search history.

(56) **References Cited**

U.S. PATENT DOCUMENTS

D453,153 S * 1/2002 Yu et al. D14/240
D480,084 S * 9/2003 Borsboom et al. D14/374
D527,361 S * 8/2006 Hoehn D14/126

D528,081 S * 9/2006 Brunner et al. D14/126
D531,969 S * 11/2006 Voege D14/126
D558,160 S * 12/2007 Hoehn D14/126

* cited by examiner

Primary Examiner — Philip S Hyder

Assistant Examiner — Sydney Buffalow

(74) *Attorney, Agent, or Firm* — Hamre, Schuman, Mueller
& Larson, P.C.

(57) **CLAIM**

The ornamental design for a display, as shown and described.

DESCRIPTION

FIG. 1 is a front perspective view of a display in accordance
with my new invention;

FIG. 2 is a front elevational view thereof;

FIG. 3 is a rear elevational view thereof;

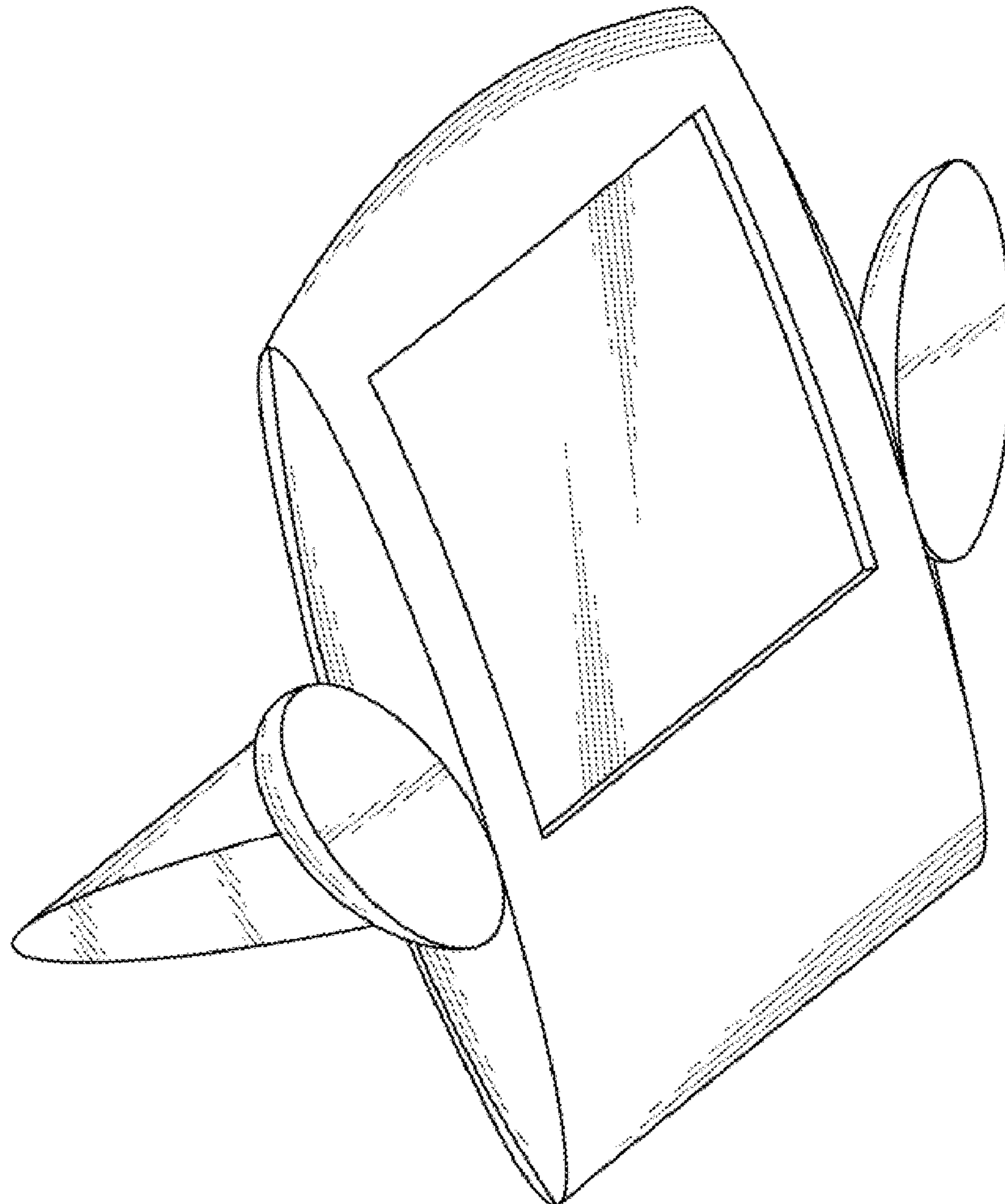
FIG. 4 is a left side elevational view thereof;

FIG. 5 is a right side elevational view thereof;

FIG. 6 is a top plan view thereof; and,

FIG. 7 is a bottom plan view thereof.

1 Claim, 7 Drawing Sheets



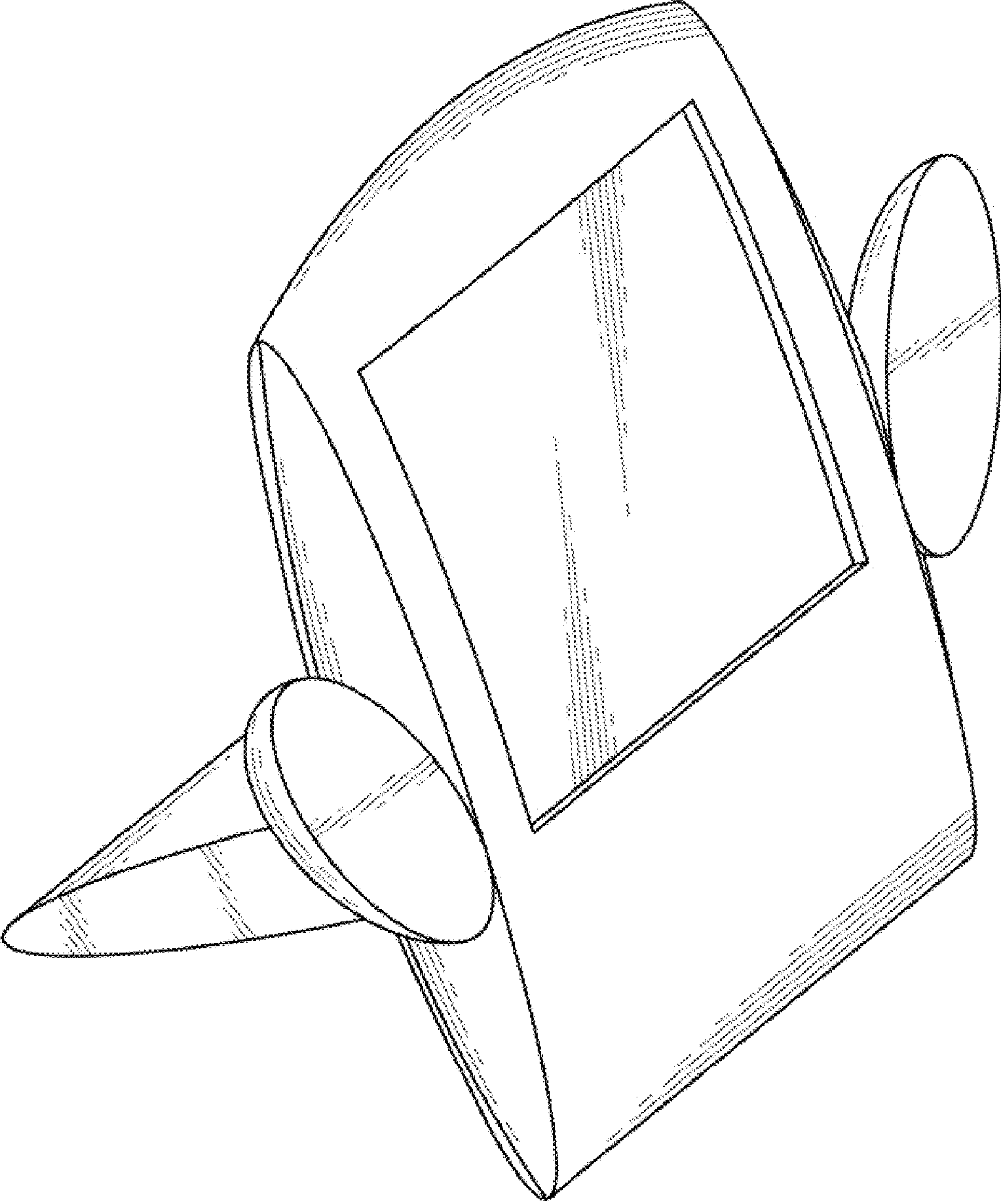


FIG. 1

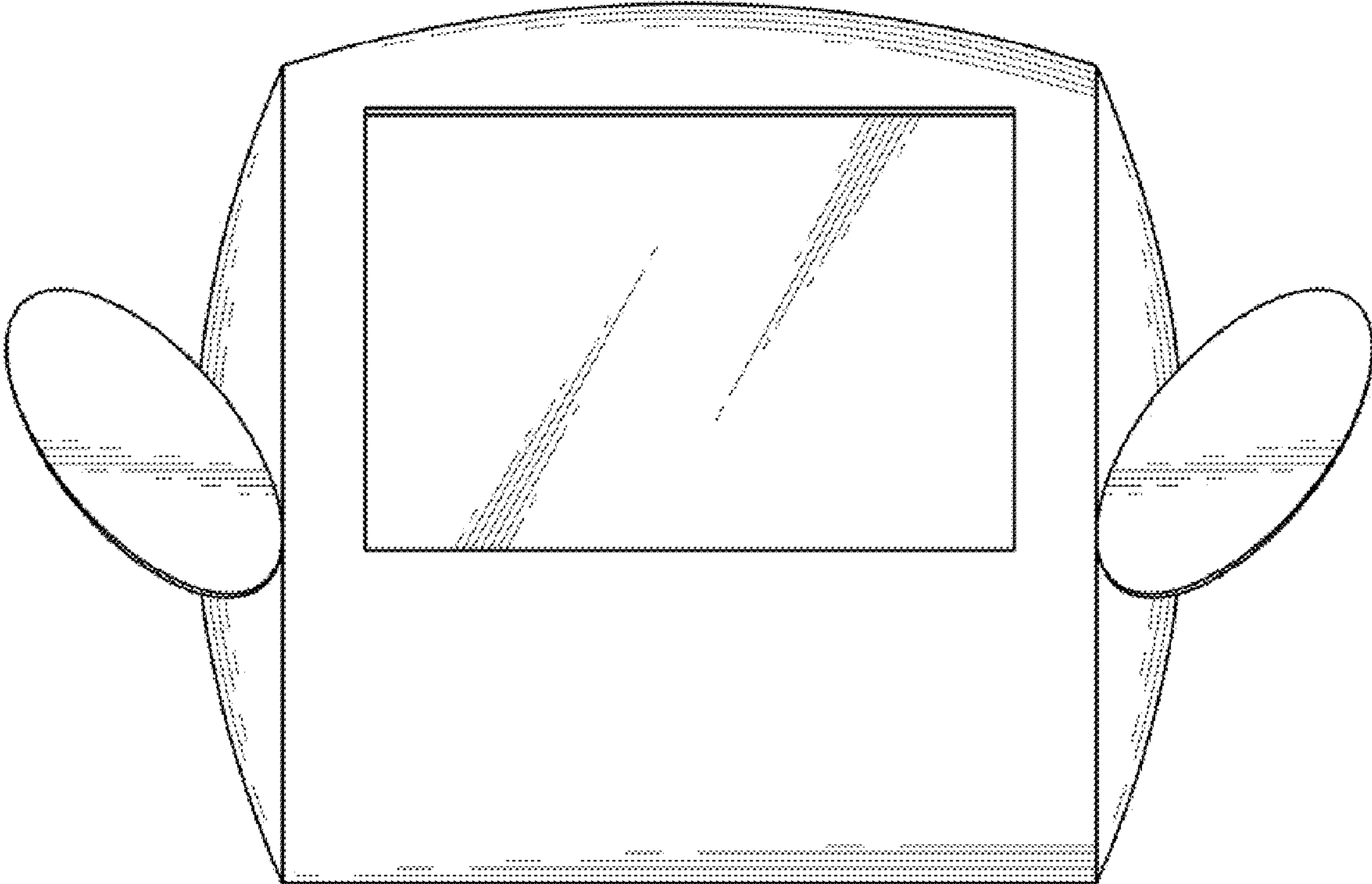


FIG. 2

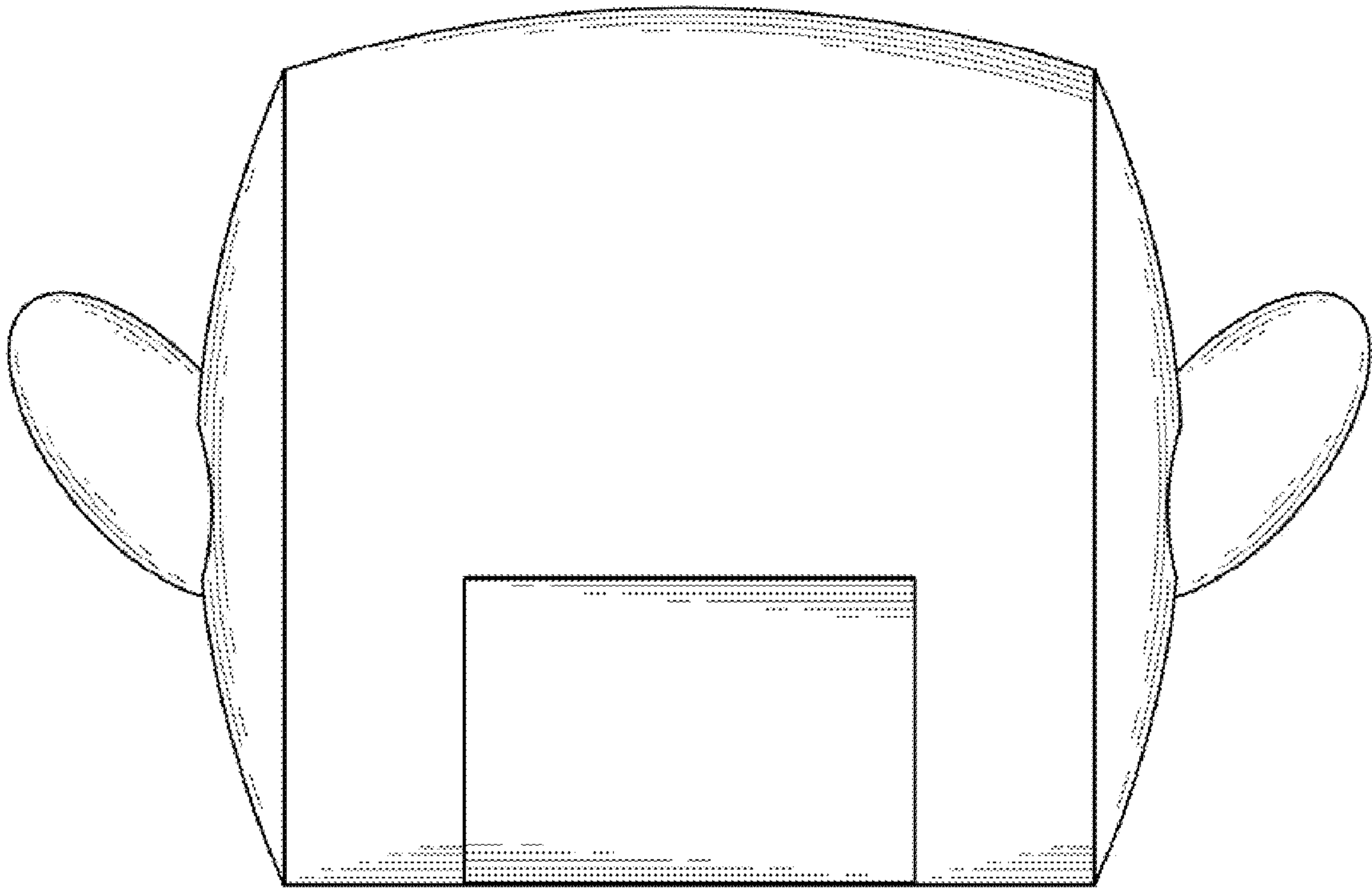


FIG. 3

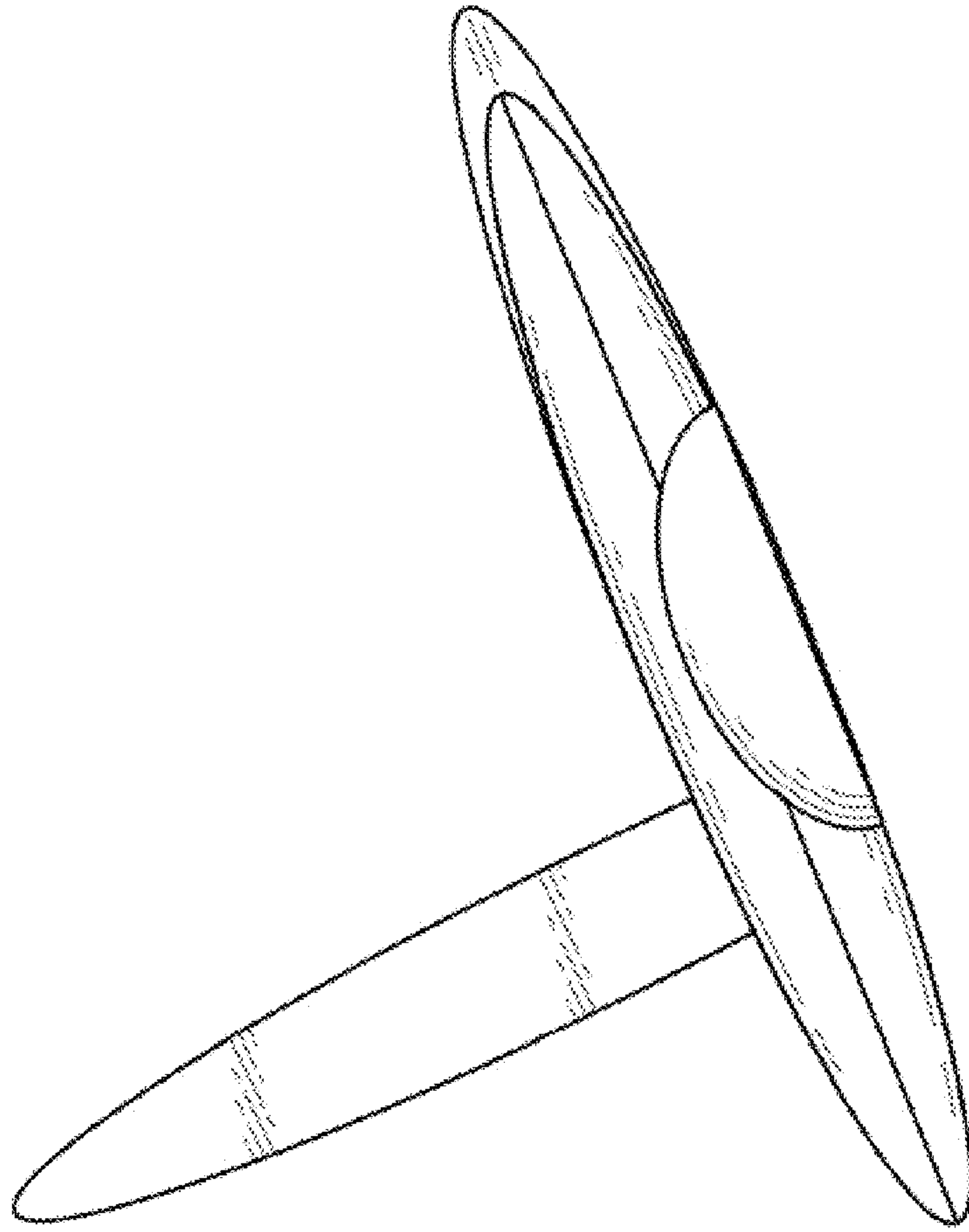


FIG. 4

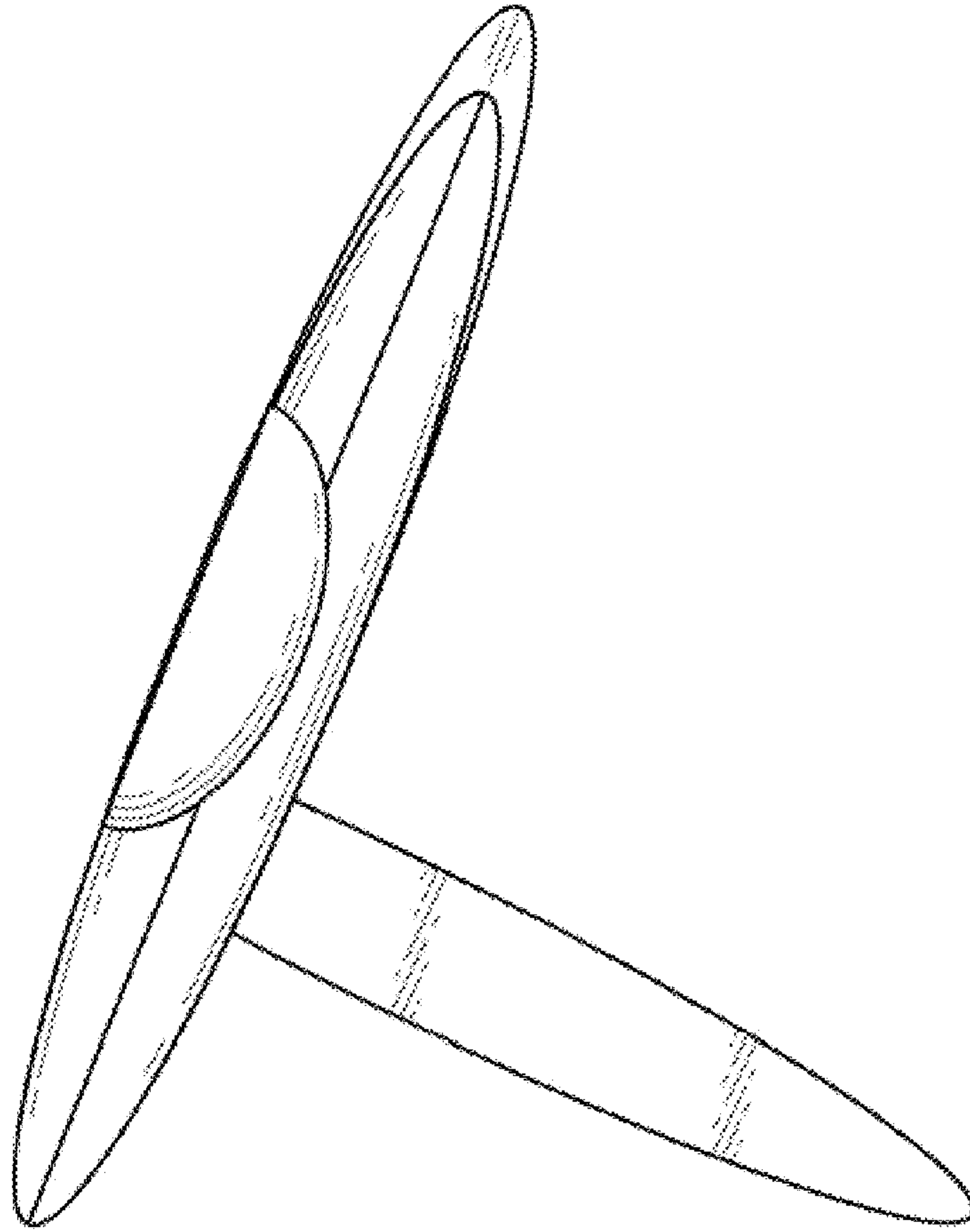


FIG. 5

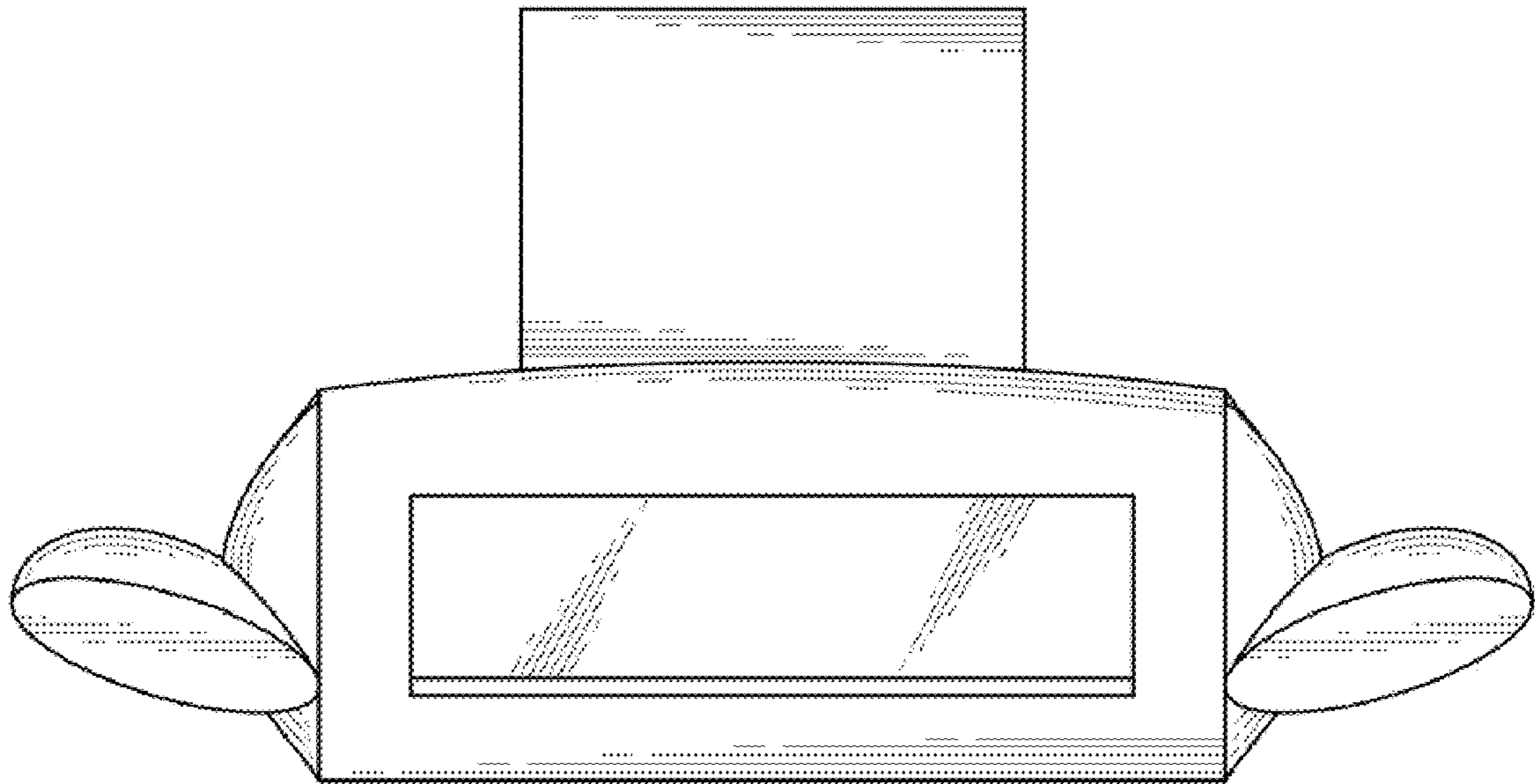


FIG. 6

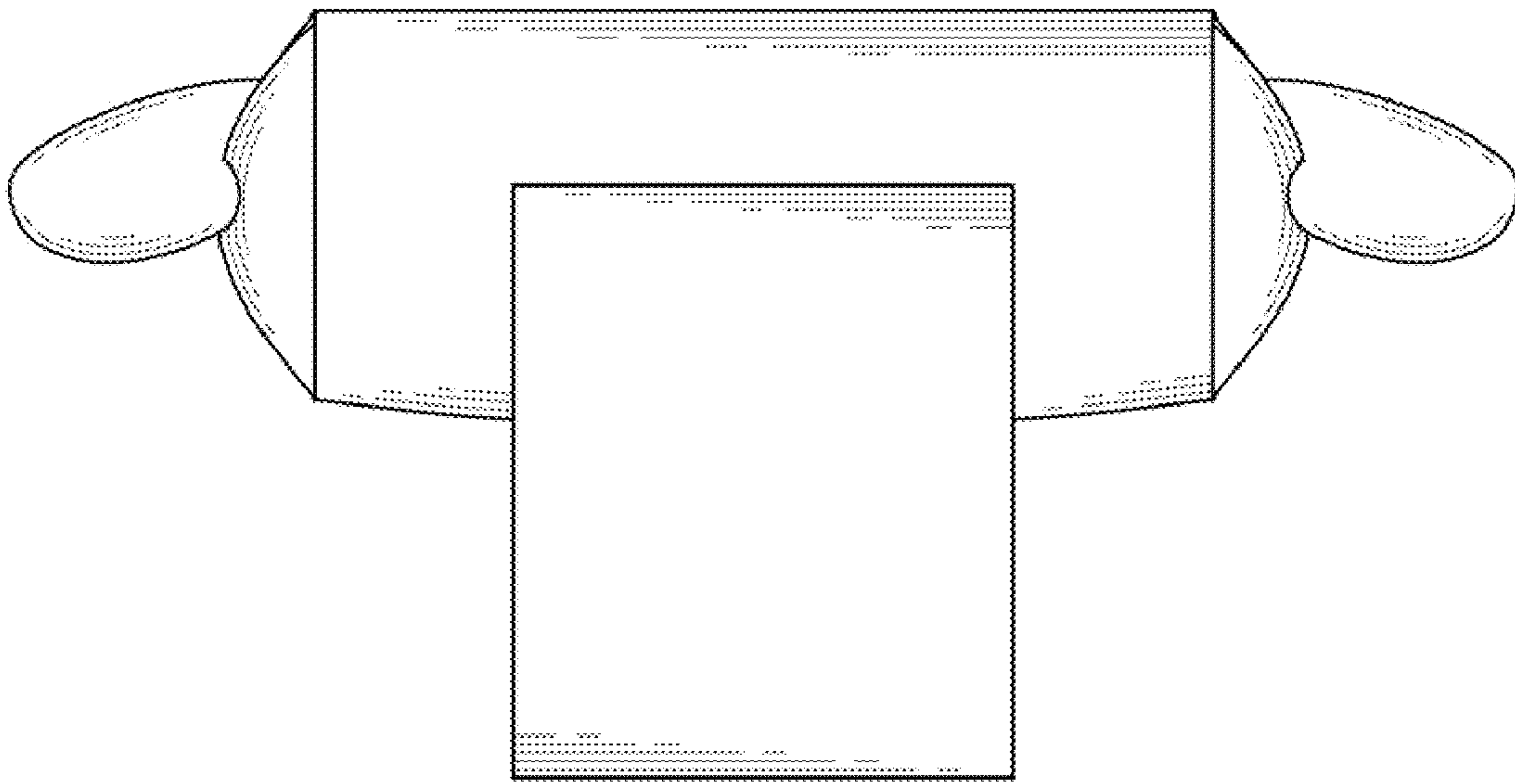


FIG. 7