



US00D649786S

(12) **United States Design Patent**
Lipfert et al.

(10) **Patent No.:** **US D649,786 S**

(45) **Date of Patent:** **** Dec. 6, 2011**

(54) **CADDY**

(75) Inventors: **Kim Lipfert**, Minneapolis, MN (US);
Katherine R. Wittenberg, St. Paul, MN
(US); **Elizabeth H. Apple**, Minneapolis,
MN (US); **Stacy Abel**, Maple Grove,
MN (US)

(73) Assignee: **Target Brands, Inc.**, Minneapolis, MN
(US)

(**) Term: **14 Years**

(21) Appl. No.: **29/399,257**

(22) Filed: **Aug. 11, 2011**

(51) **LOC (9) Cl.** **03-01**

(52) **U.S. Cl.** **D3/308**

(58) **Field of Classification Search** D6/303–305,
D6/308–309, 310, 313, 901, 904; D7/701,
D7/706; D32/53, 53.1, 54; 206/234, 349,
206/372–373; 220/500, 505–507, 752, 904

See application file for complete search history.

(56) **References Cited**

U.S. PATENT DOCUMENTS

2,728,485	A	12/1955	Howard	
D192,756	S	5/1962	Hodgman	
3,045,862	A	7/1962	De Chelbor	
D198,236	S	5/1964	Schaefer	
3,463,353	A *	8/1969	Peebles	206/514
D235,488	S *	6/1975	Swalm	D3/309
4,653,713	A *	3/1987	Hamilton	248/238
D307,967	S *	5/1990	Lanius	D3/309
D314,279	S	2/1991	Hotchkiss	
5,086,917	A *	2/1992	Dziersk et al.	206/216
D329,135	S	9/1992	Embree	
D331,307	S	11/1992	McConnell	
D341,462	S	11/1993	Ballester	
D343,713	S	1/1994	Barber	
D364,039	S *	11/1995	Kruger	D3/315
D381,562	S *	7/1997	Westcott	D7/600
D386,384	S *	11/1997	Rausch et al.	D8/330
D386,616	S	11/1997	Nimer	
D394,205	S	5/1998	Bates	

D400,331	S	10/1998	Rausch	
D400,712	S	11/1998	Hampshire	
D420,221	S	2/2000	Williams et al.	
6,039,205	A *	3/2000	Flink	220/659
6,059,109	A *	5/2000	Stein	206/373
D444,949	S	7/2001	Whittaker	
D484,011	S	12/2003	Strobel et al.	
D488,891	S	4/2004	Smith et al.	
D492,113	S *	6/2004	Bayer et al.	D3/310
D492,846	S *	7/2004	Weiser et al.	D3/311

(Continued)

Primary Examiner — Elizabeth Albert

Assistant Examiner — Kelley Donnelly

(74) *Attorney, Agent, or Firm* — Griffiths & Seaton PLLC

(57) **CLAIM**

The ornamental design for a caddy, as shown and described.

DESCRIPTION

FIG. 1 is a top, front perspective view of a caddy showing our new design;

FIG. 2 is a rear, bottom perspective view thereof;

FIG. 3 is a front view thereof, the rear view being identical to the front view;

FIG. 4 is a right side view thereof, the left side view being identical to the right side view;

FIG. 5 is a top view thereof; and

FIG. 6 is a bottom view thereof.

FIG. 7 is a top, front perspective view of the caddy of FIG. 1 showing our new design illustrated with additional environmental subject matter;

FIG. 8 is a rear, bottom perspective view thereof;

FIG. 9 is a front view thereof, the rear view being identical to the front view;

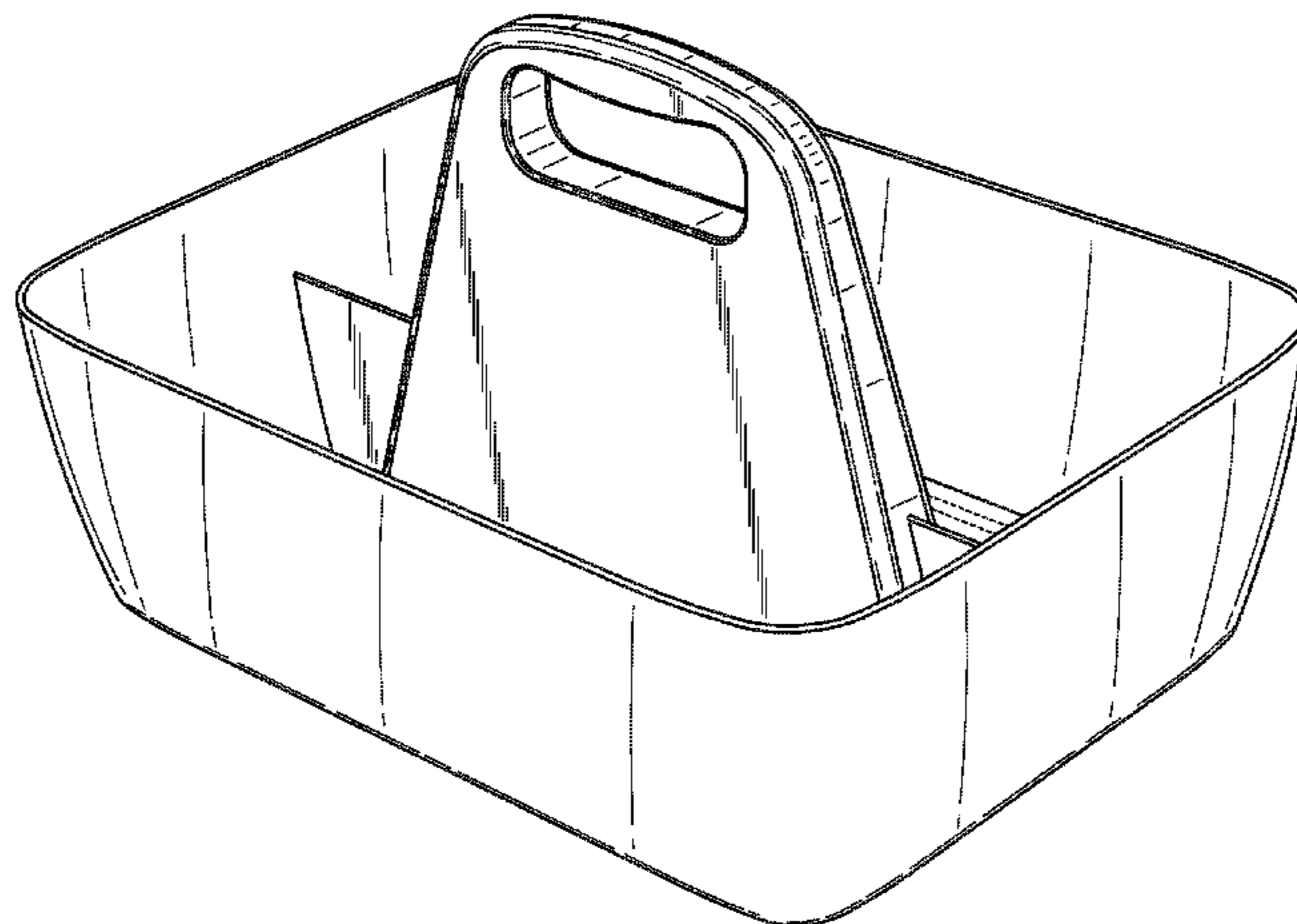
FIG. 10 is a right side view thereof, the left side view being identical to the right side view;

FIG. 11 is a top view thereof; and,

FIG. 12 is a bottom view thereof.

The features shown in broken lines depict environmental subject matter only and form no part of the claimed design.

1 Claim, 12 Drawing Sheets



US D649,786 S

Page 2

U.S. PATENT DOCUMENTS

D505,336 S	5/2005	Schuster		D541,531 S	5/2007	Leao	
D522,751 S *	6/2006	Irwin et al.	D3/315	D591,950 S	5/2009	Kim et al.	
D531,402 S	11/2006	Sofy		D614,404 S *	4/2010	Brunner	D3/304
D537,251 S	2/2007	Musgrove		7,997,191 B2 *	8/2011	Chrysson	100/295

* cited by examiner

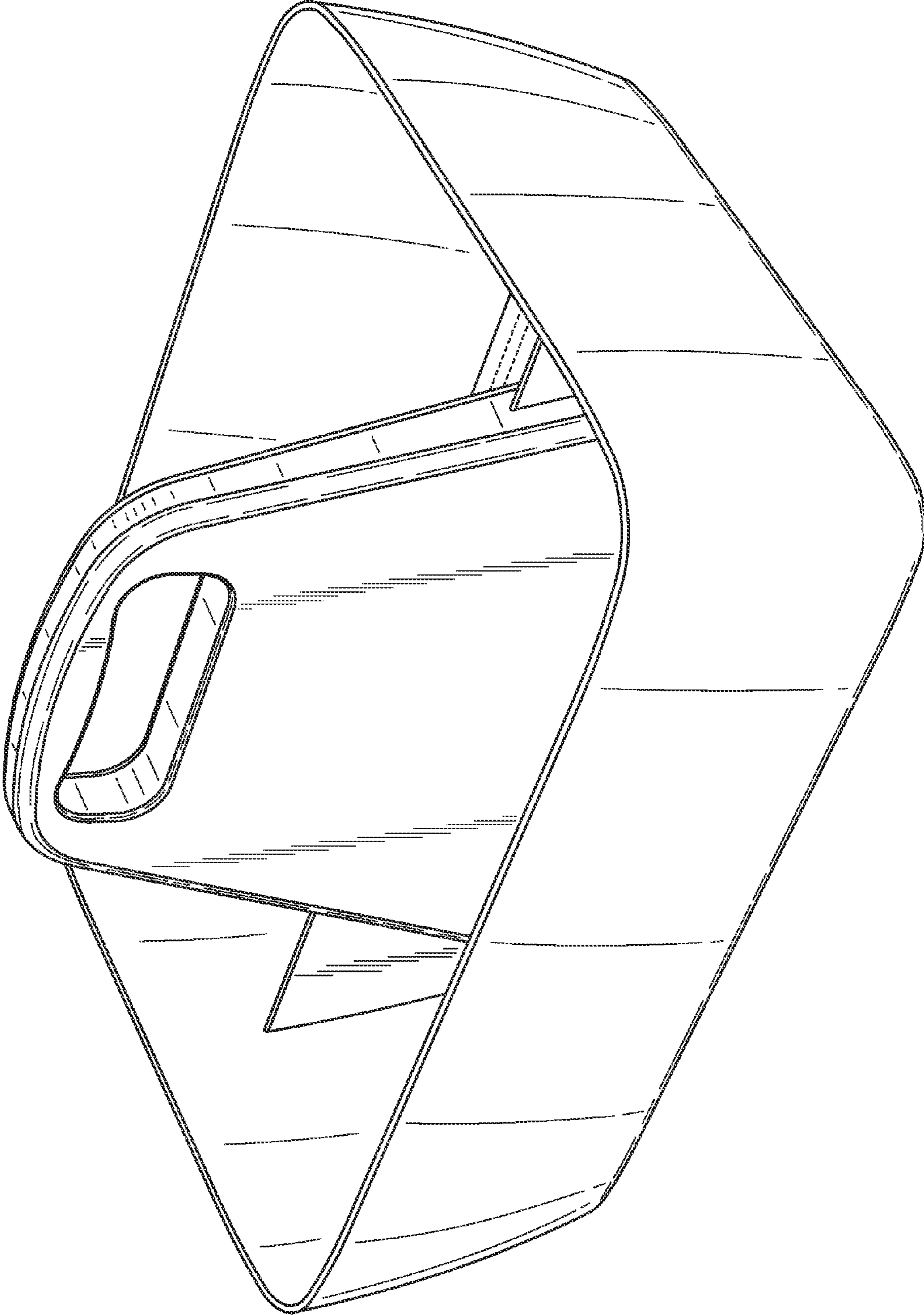


FIG. 1

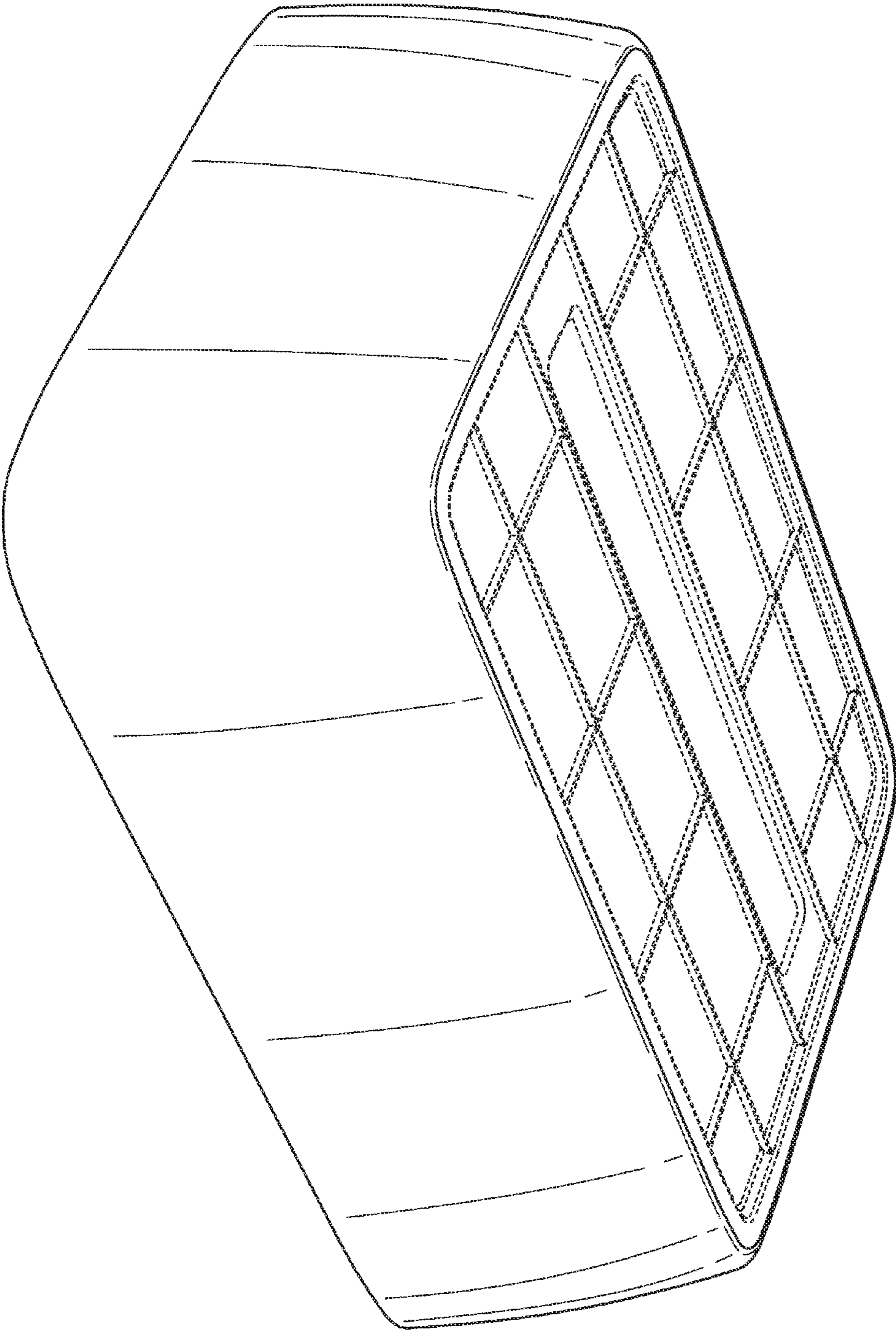


FIG. 2

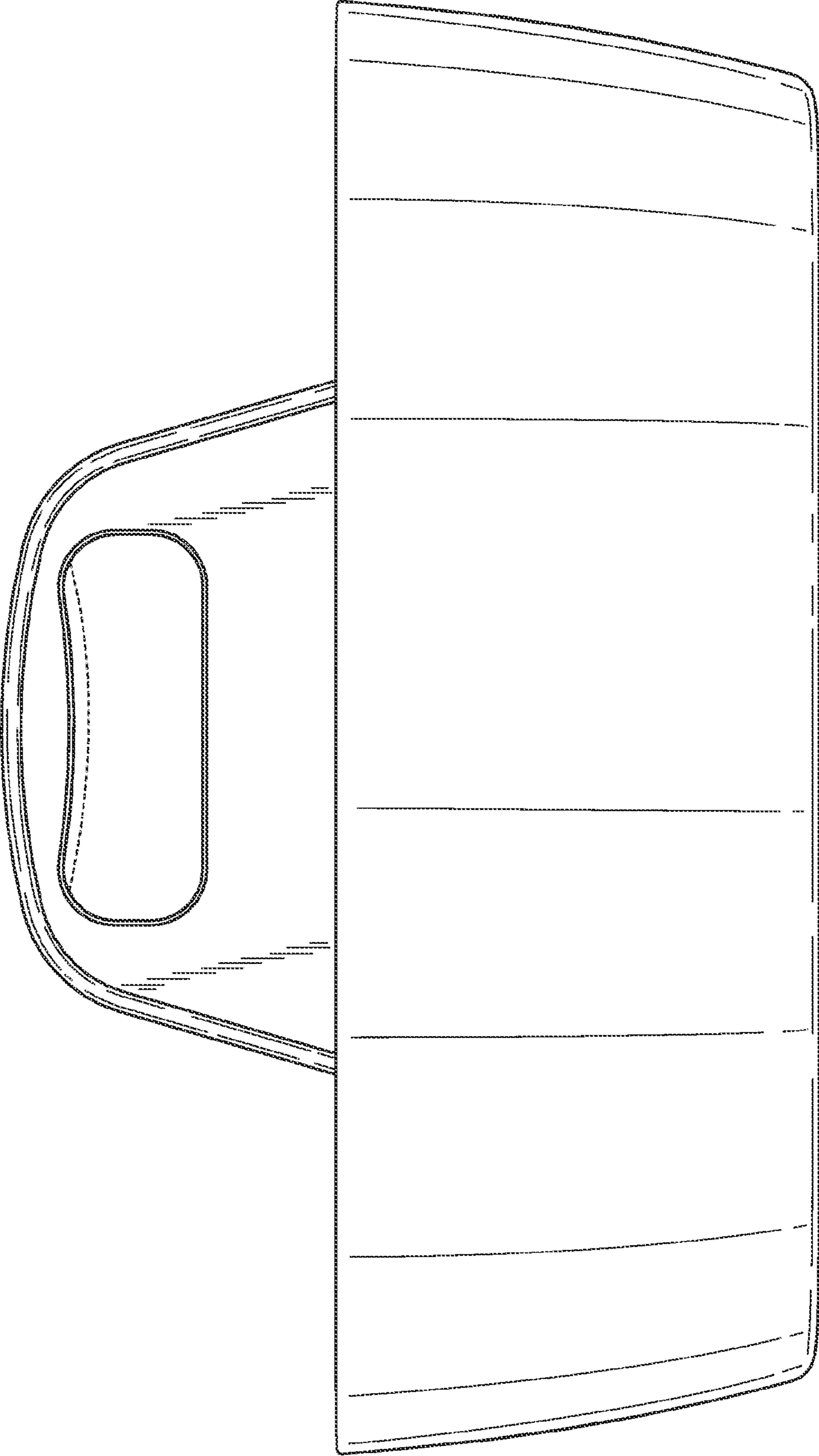


FIG. 3

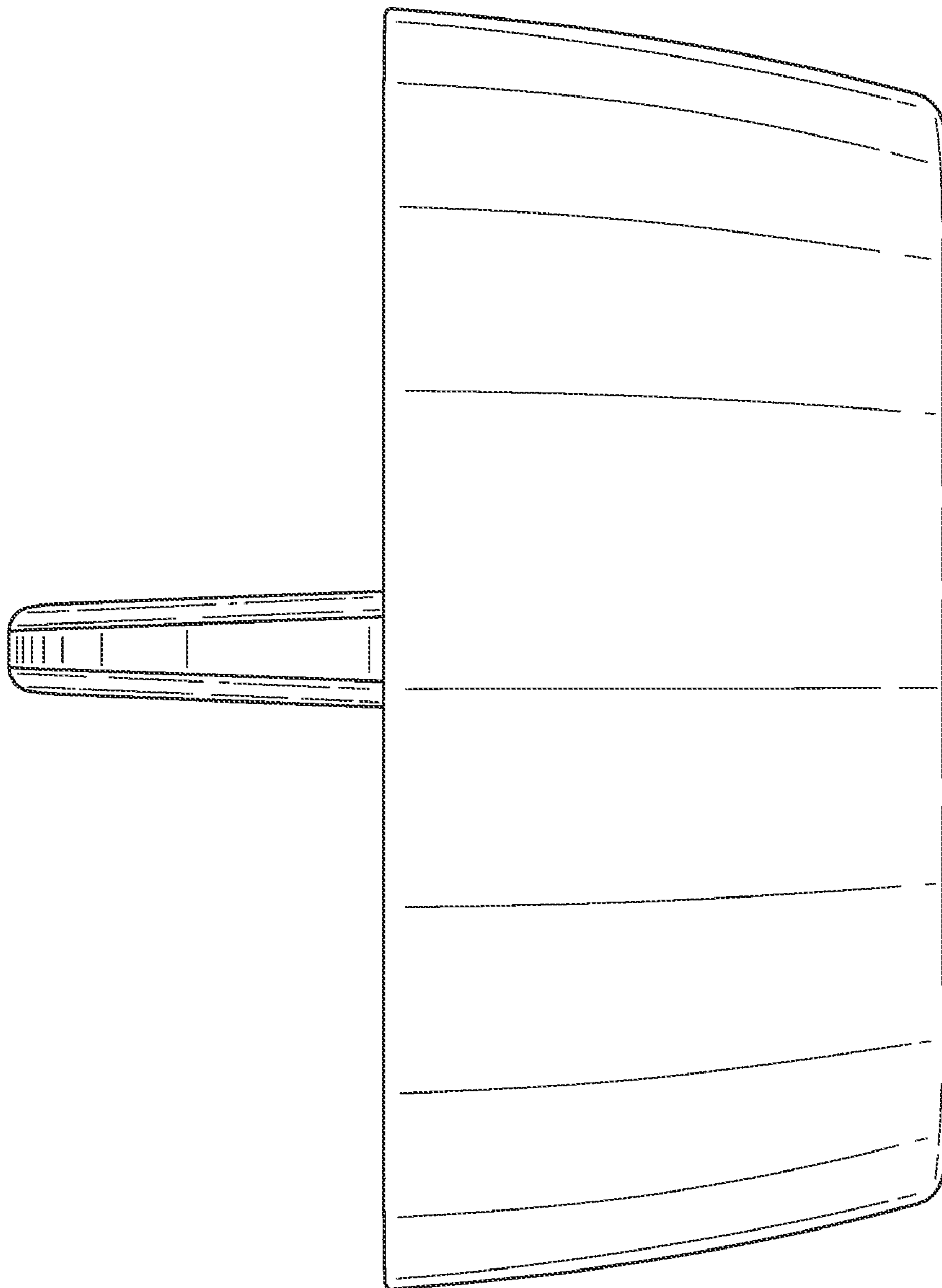


FIG. 4

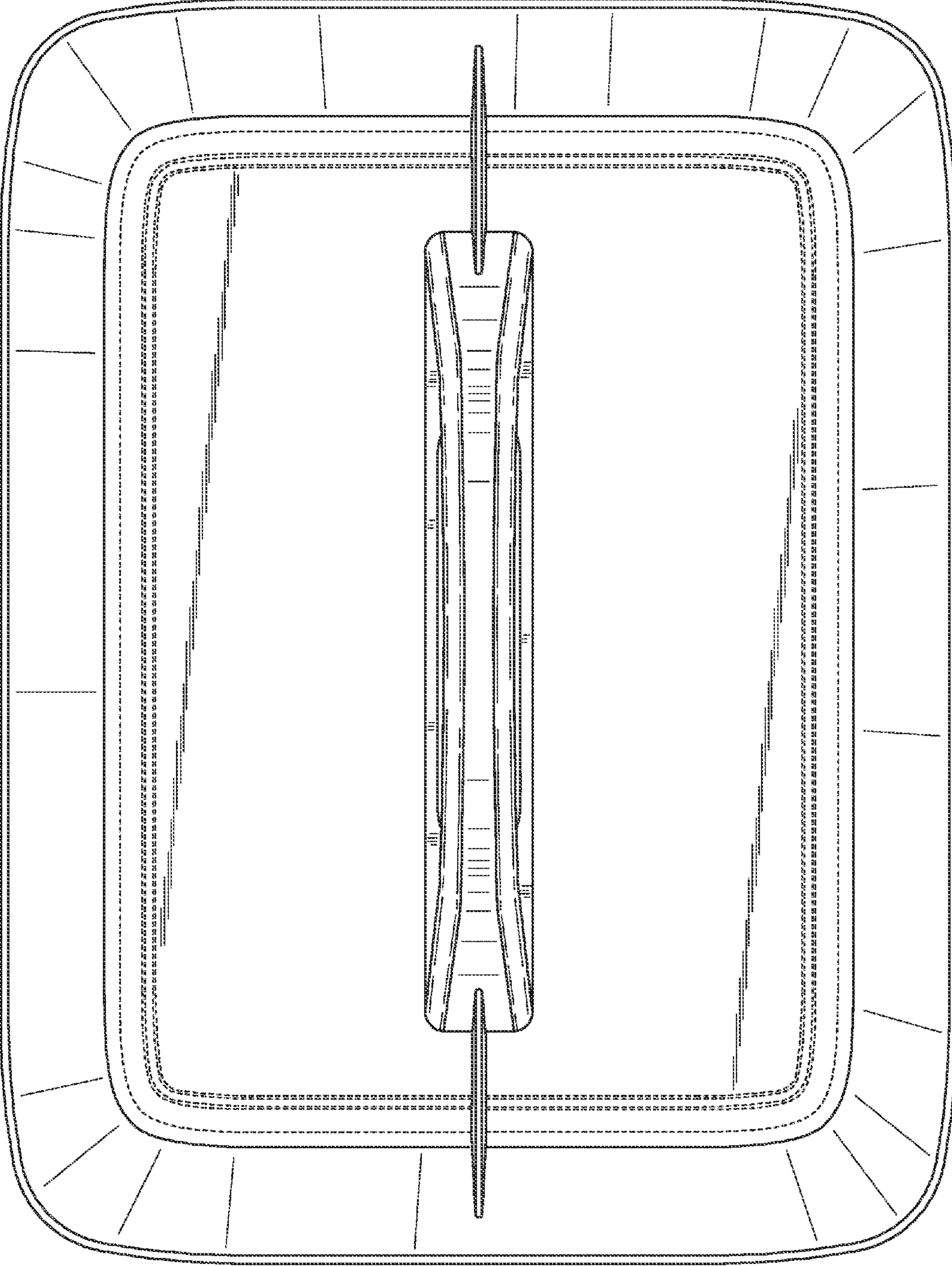


FIG. 5

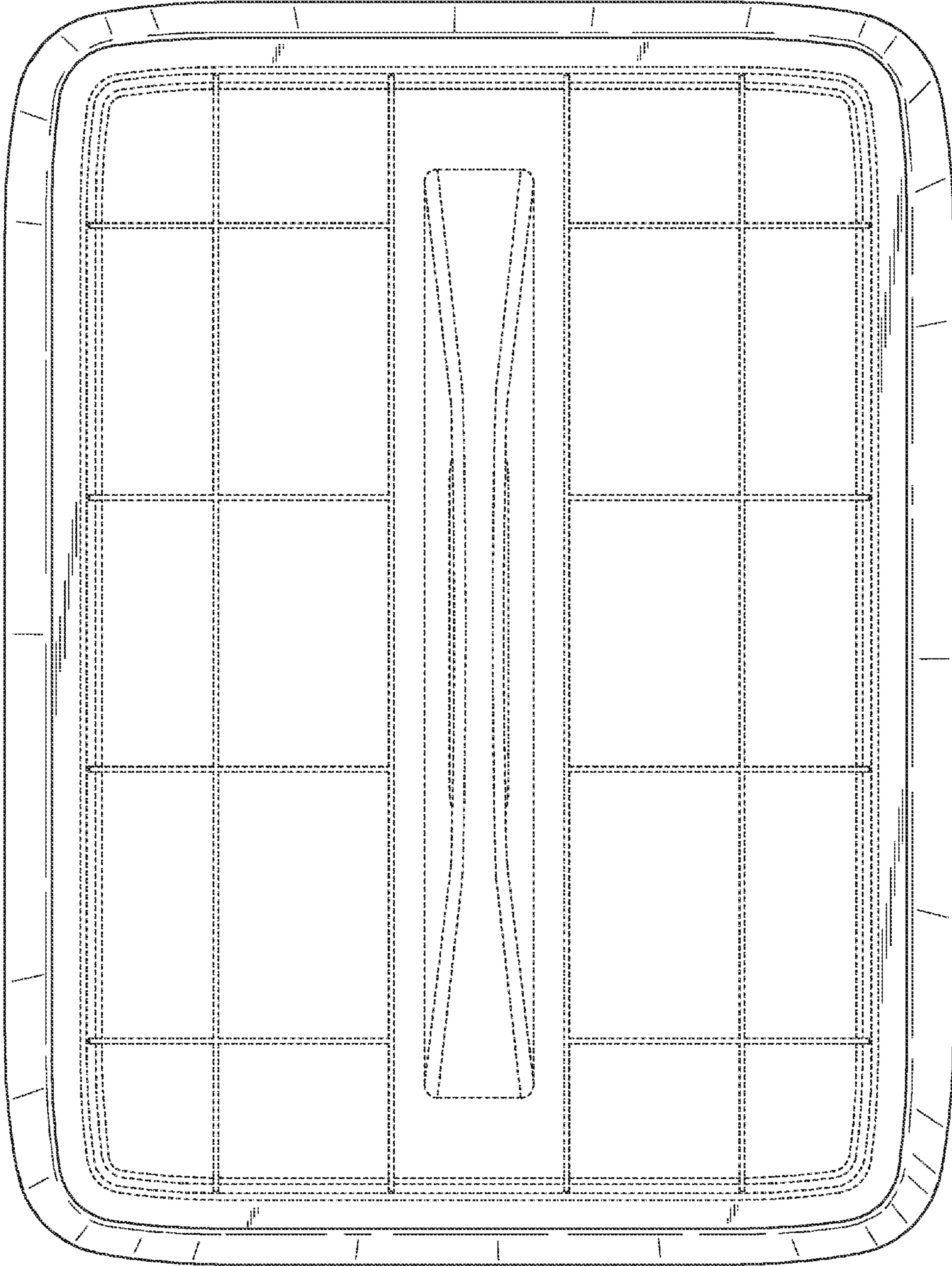


FIG. 6

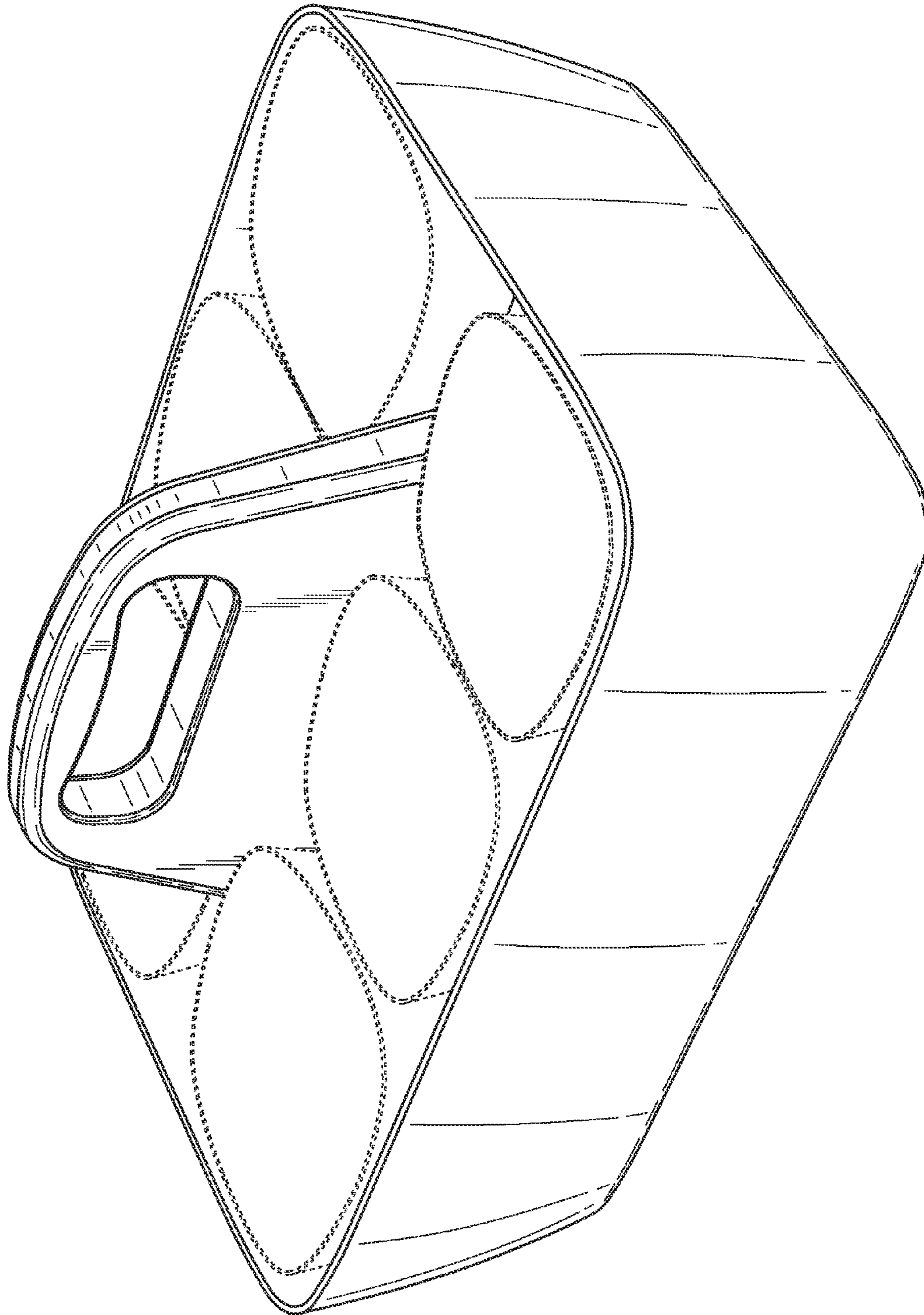


FIG. 7

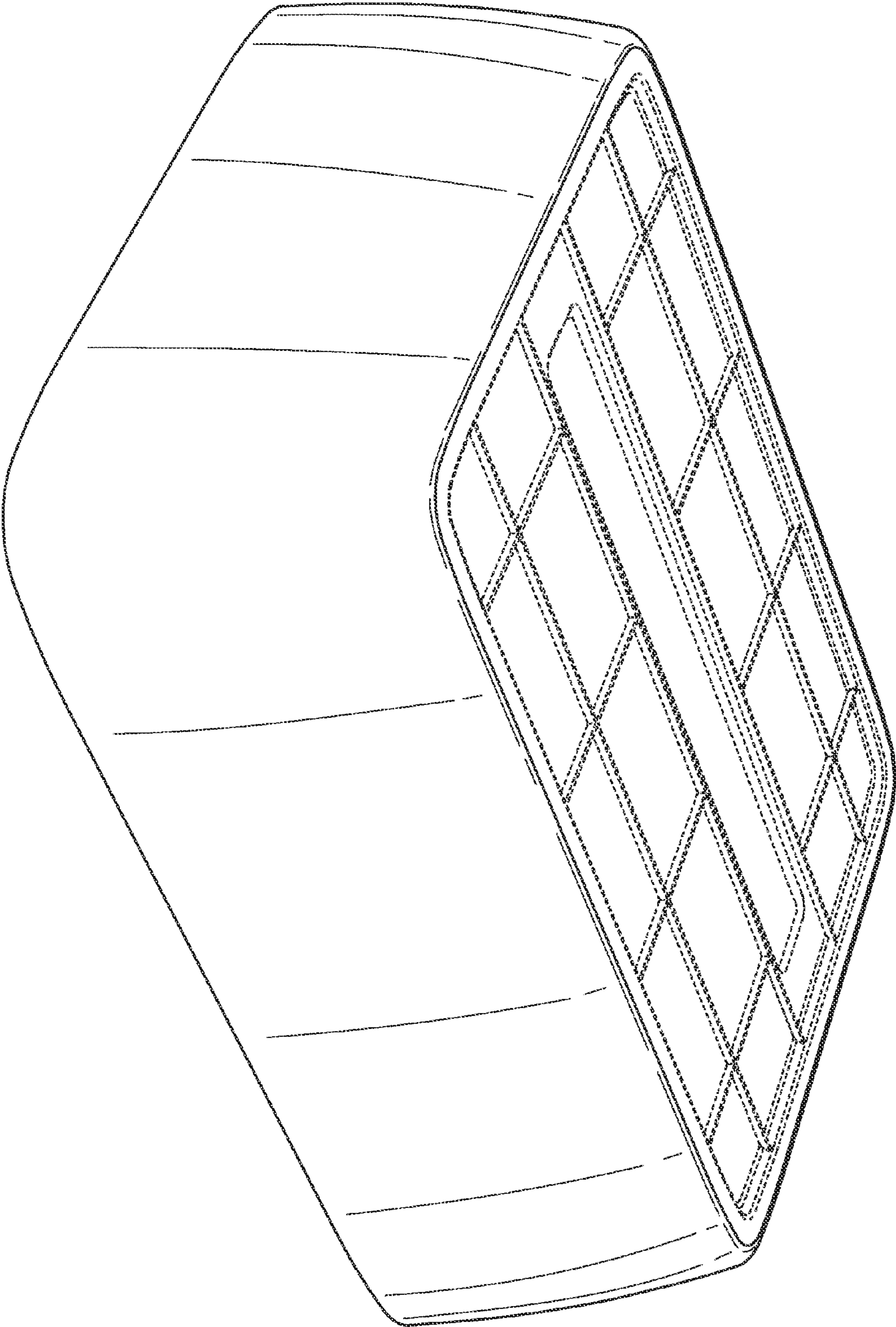


FIG. 8

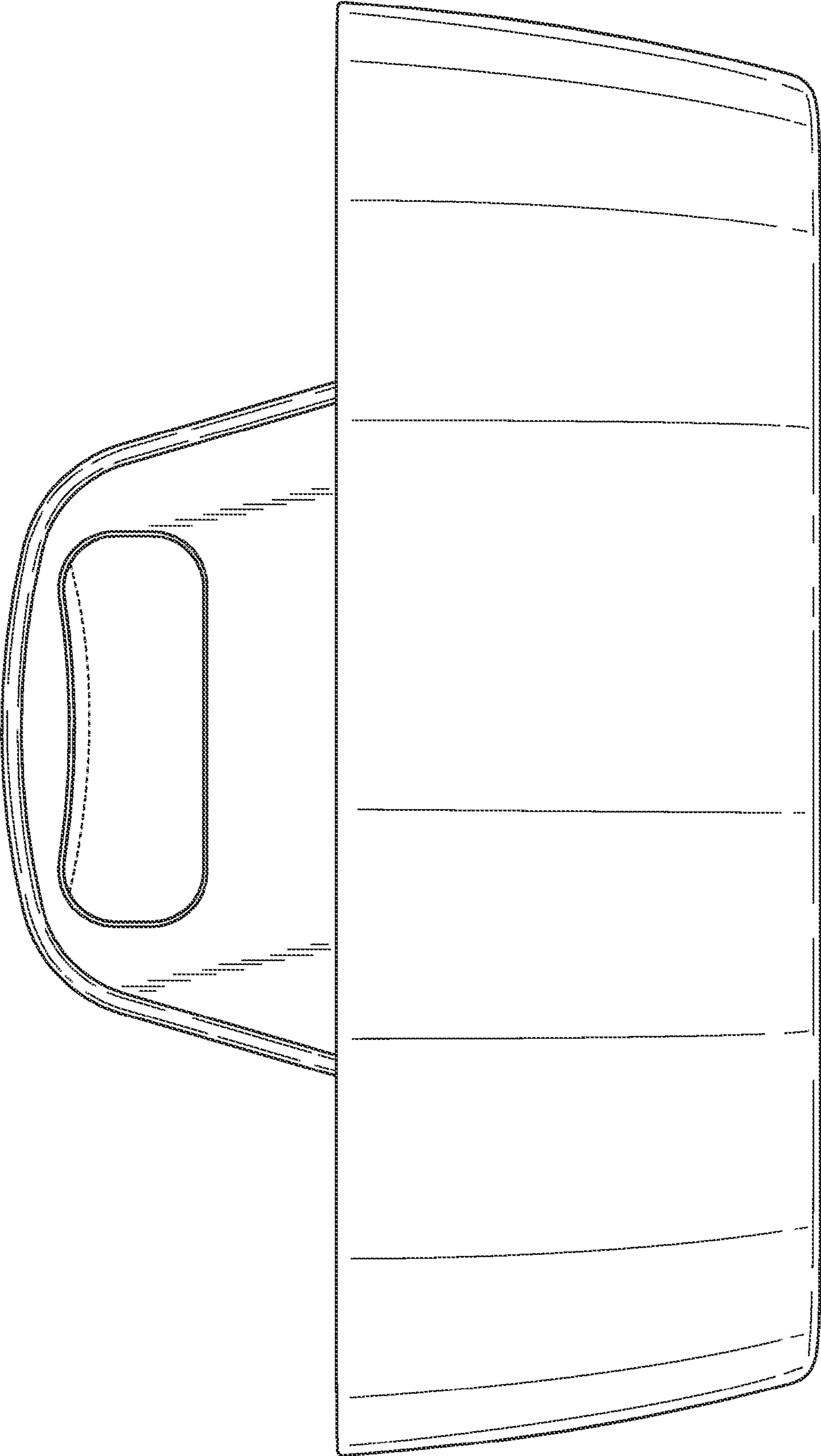


FIG. 9

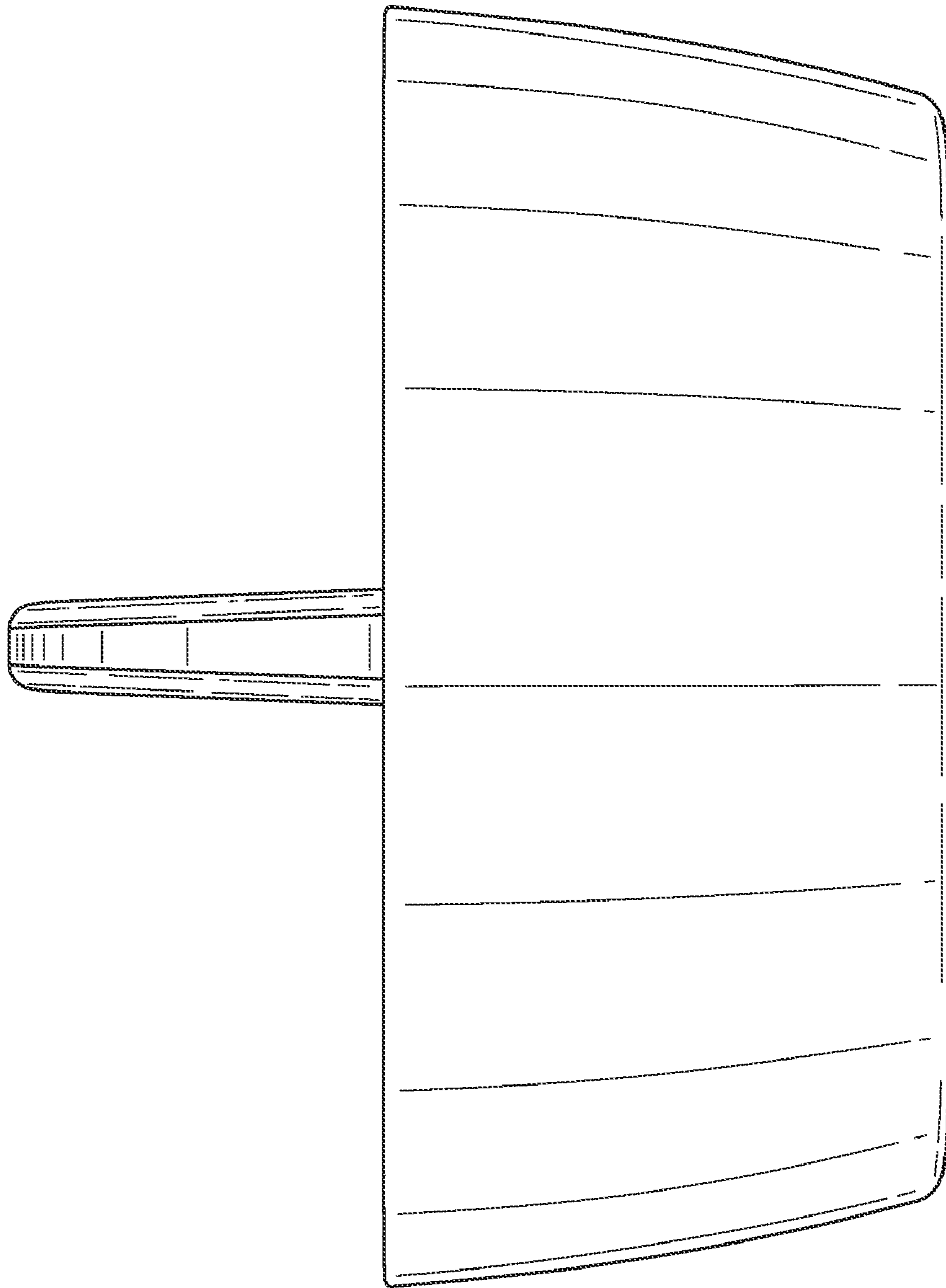


FIG. 10

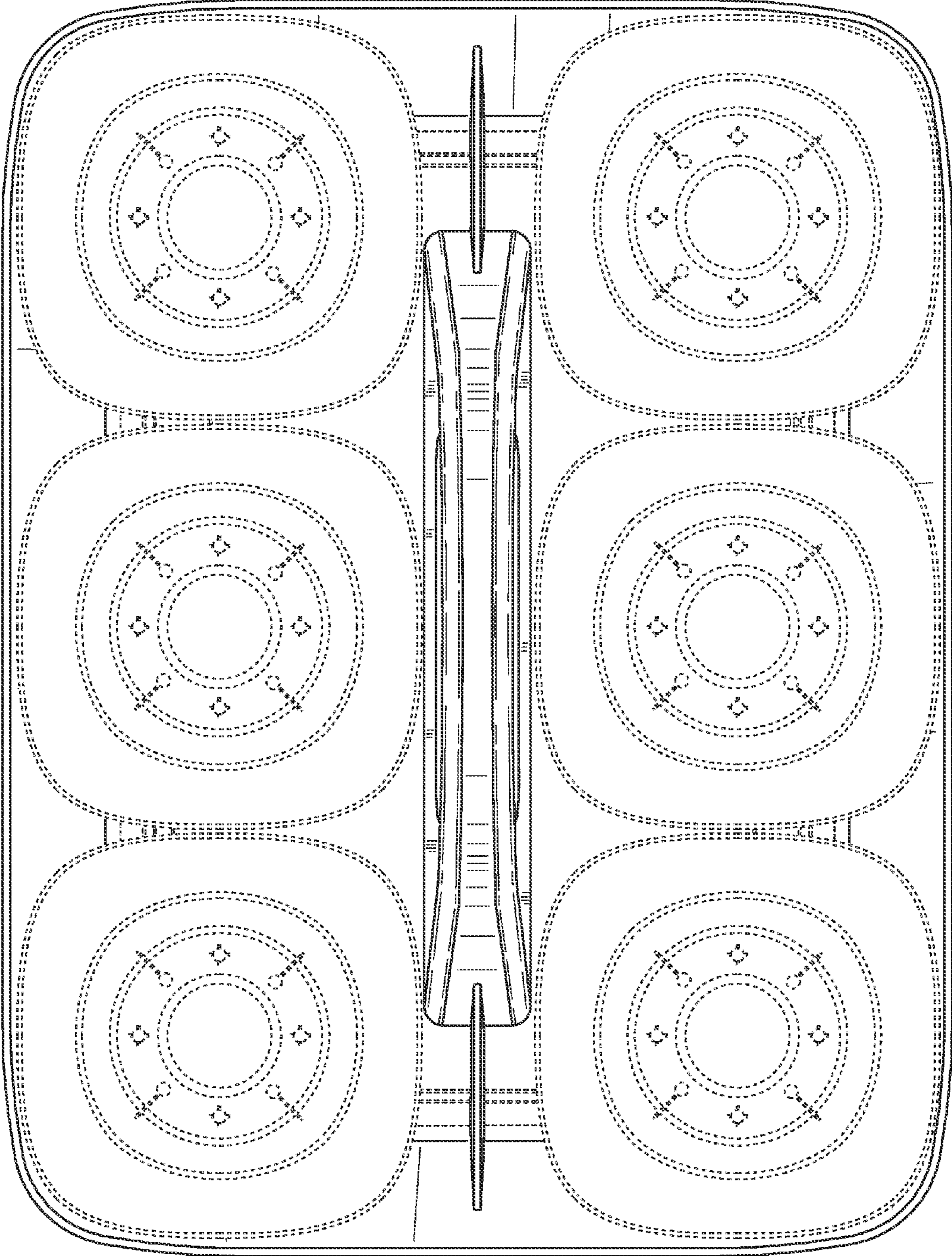


FIG. 11

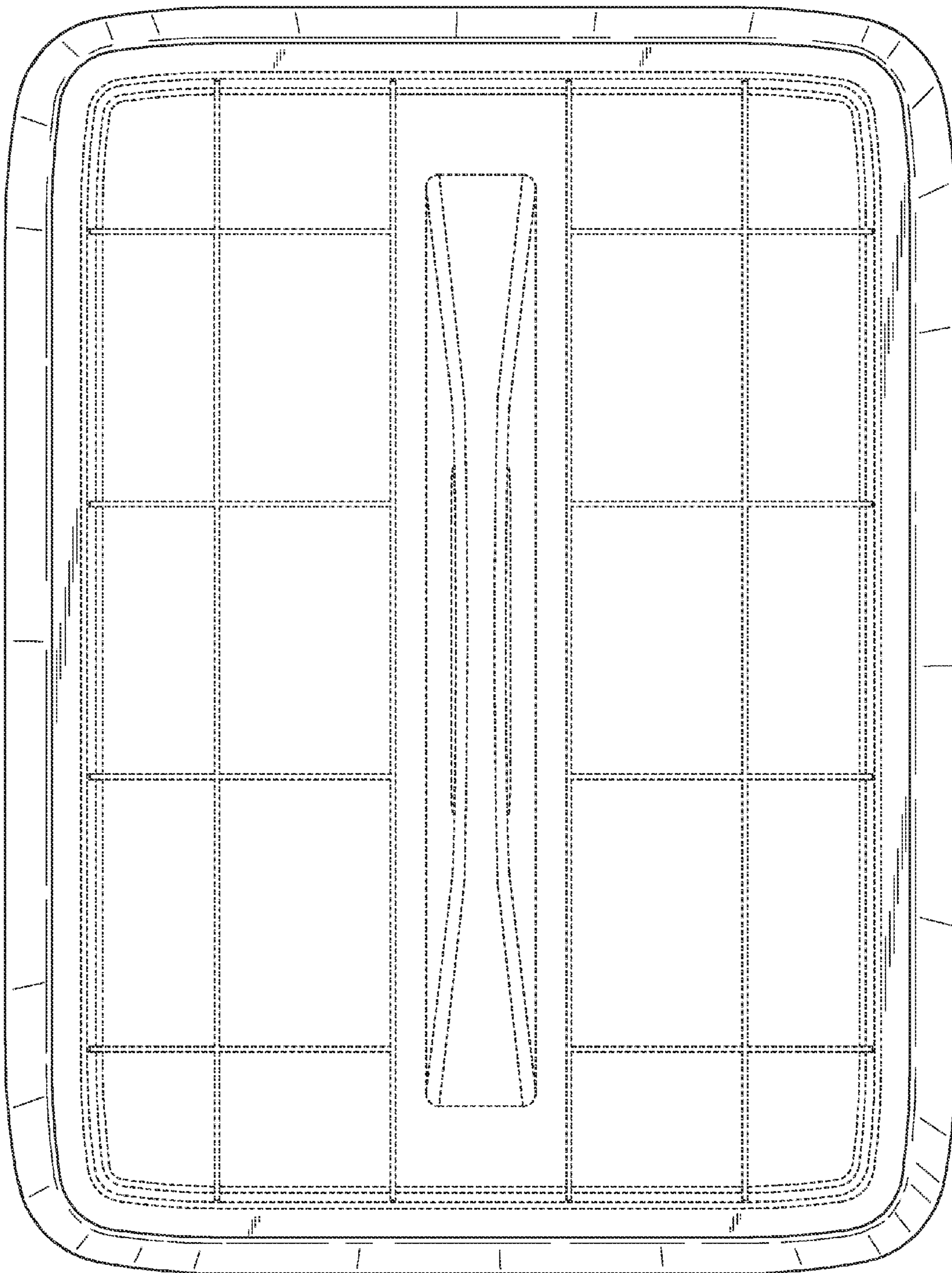


FIG. 12