



US00D649785S

(12) **United States Design Patent**  
**Akana et al.**

(10) **Patent No.:** **US D649,785 S**  
(45) **Date of Patent:** **\*\* Dec. 6, 2011**

(54) **CASE**

(75) Inventors: **Jody Akana**, San Francisco, CA (US);  
**Bartley K. Andre**, Menlo Park, CA (US); **Jeremy Bataillou**, San Francisco, CA (US); **Daniel J. Coster**, San Francisco, CA (US); **Daniele De Iuliis**, San Francisco, CA (US); **Evans Hankey**, San Francisco, CA (US); **Richard P. Howarth**, San Francisco, CA (US); **Jonathan P. Ive**, San Francisco, CA (US); **Duncan Robert Kerr**, San Francisco, CA (US); **Shin Nishibori**, Portola Valley, CA (US); **Matthew Dean Rohrbach**, San Francisco, CA (US); **Peter Russell-Clarke**, San Francisco, CA (US); **Christopher J. Stringer**, Woodside, CA (US); **Eugene Antony Whang**, San Francisco, CA (US); **Rico Zorkendorfer**, San Francisco, CA (US)

(73) Assignee: **Apple Inc.**, Cupertino, CA (US)

(\*\*) Term: **14 Years**

(21) Appl. No.: **29/391,992**

(22) Filed: **May 16, 2011**

**Related U.S. Application Data**

(63) Continuation of application No. 29/353,322, filed on Jan. 6, 2010, now Pat. No. Des. 637,814.

(51) **LOC (9) Cl.** ..... **03-01**

(52) **U.S. Cl.** ..... **D3/303**

(58) **Field of Classification Search** ..... D3/249–253,  
D3/303; D19/26; 190/109, 115; 206/214;  
150/130–132, 136–137

See application file for complete search history.

(56) **References Cited**

**U.S. PATENT DOCUMENTS**

4,432,827 A	2/1984	Graetz et al.	
4,501,361 A	2/1985	Rose, Jr.	
D283,950 S *	5/1986	Markowitz .....	D3/247
4,718,550 A	1/1988	Johnson	
5,145,068 A	9/1992	Schmitz et al.	
D407,432 S	3/1999	Tell	
D459,887 S	7/2002	Johnson	
6,513,836 B2	2/2003	Li	
D514,862 S	2/2006	Fair	
D516,363 S	3/2006	Fair	
D523,078 S	6/2006	Ong	
D524,051 S	7/2006	Krueger	
D552,348 S	10/2007	Martin	
D553,415 S	10/2007	Steele	
D554,859 S	11/2007	Sides et al.	
D556,193 S	11/2007	Laituri et al.	
D559,907 S	1/2008	Howe	
D582,405 S	12/2008	Andre et al.	
D599,400 S *	9/2009	Lapsker .....	D19/26
D637,814 S	5/2011	Akana et al.	

\* cited by examiner

*Primary Examiner* — Holly Baynham

(74) *Attorney, Agent, or Firm* — Sterne, Kessler, Goldstein & Fox PLLC

(57) **CLAIM**

The ornamental design for a case, as shown and described.

**DESCRIPTION**

FIG. 1 is a top plan view of a case showing our new design.

The case is shown in an open position;

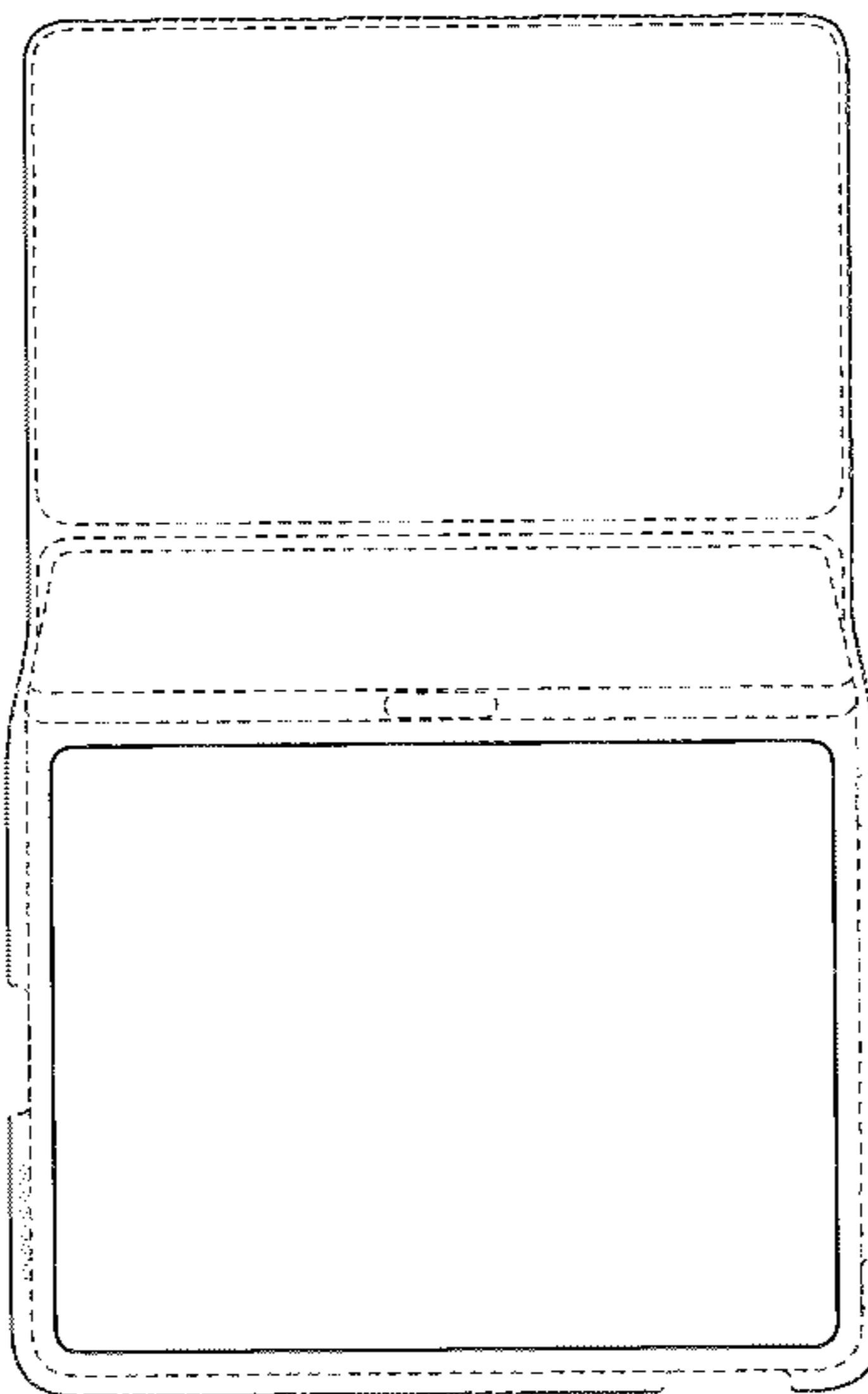
FIG. 2 is another top plan view thereof with the flap in a closed position;

FIG. 3 is a rear view thereof; and,

FIG. 4 is a front perspective view thereof showing the case in a closed position.

The broken line showing of portions of the case is included for the purpose of illustrating environmental structure and forms no part of the claimed design.

**1 Claim, 2 Drawing Sheets**



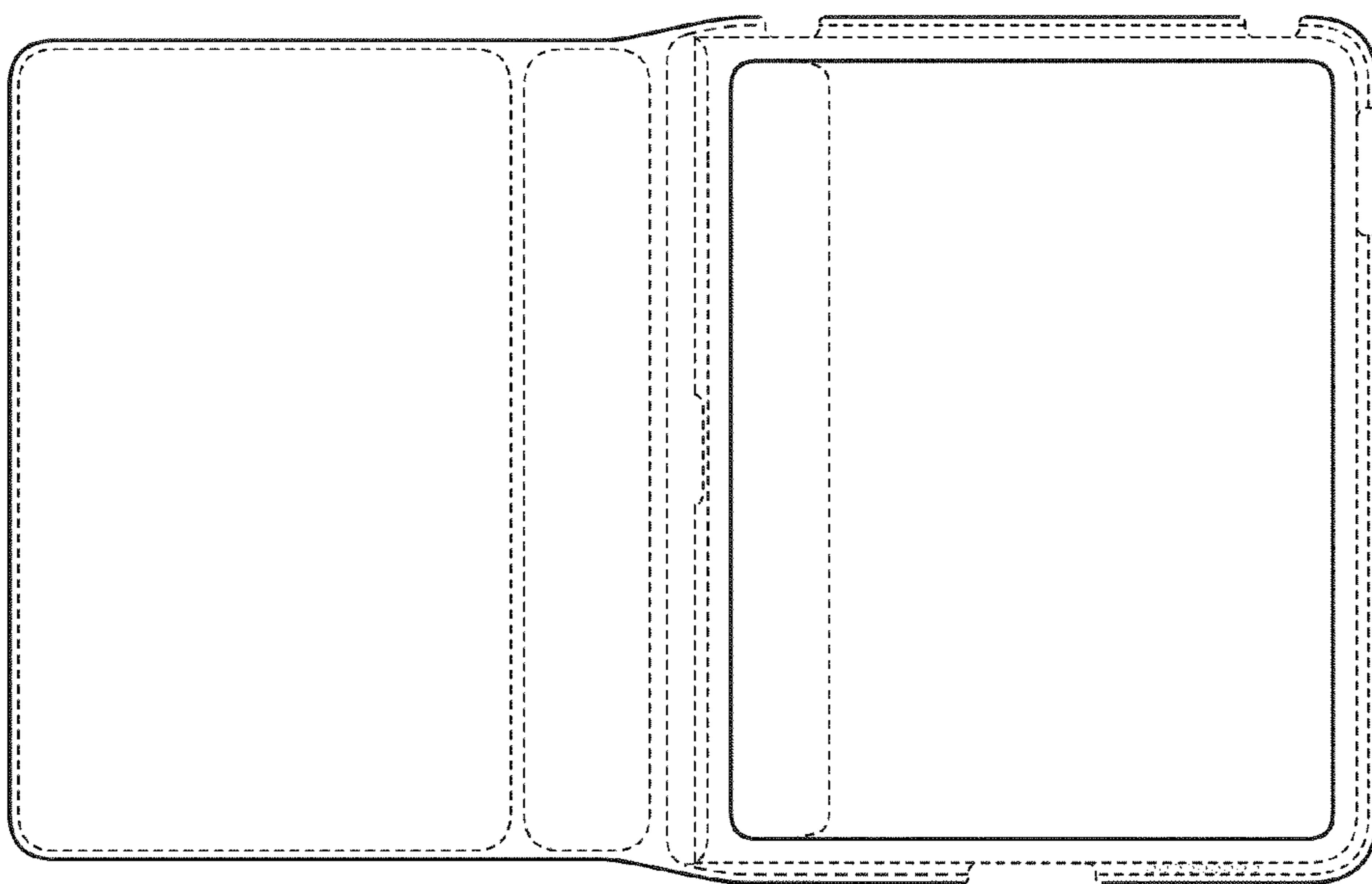


FIG. 2

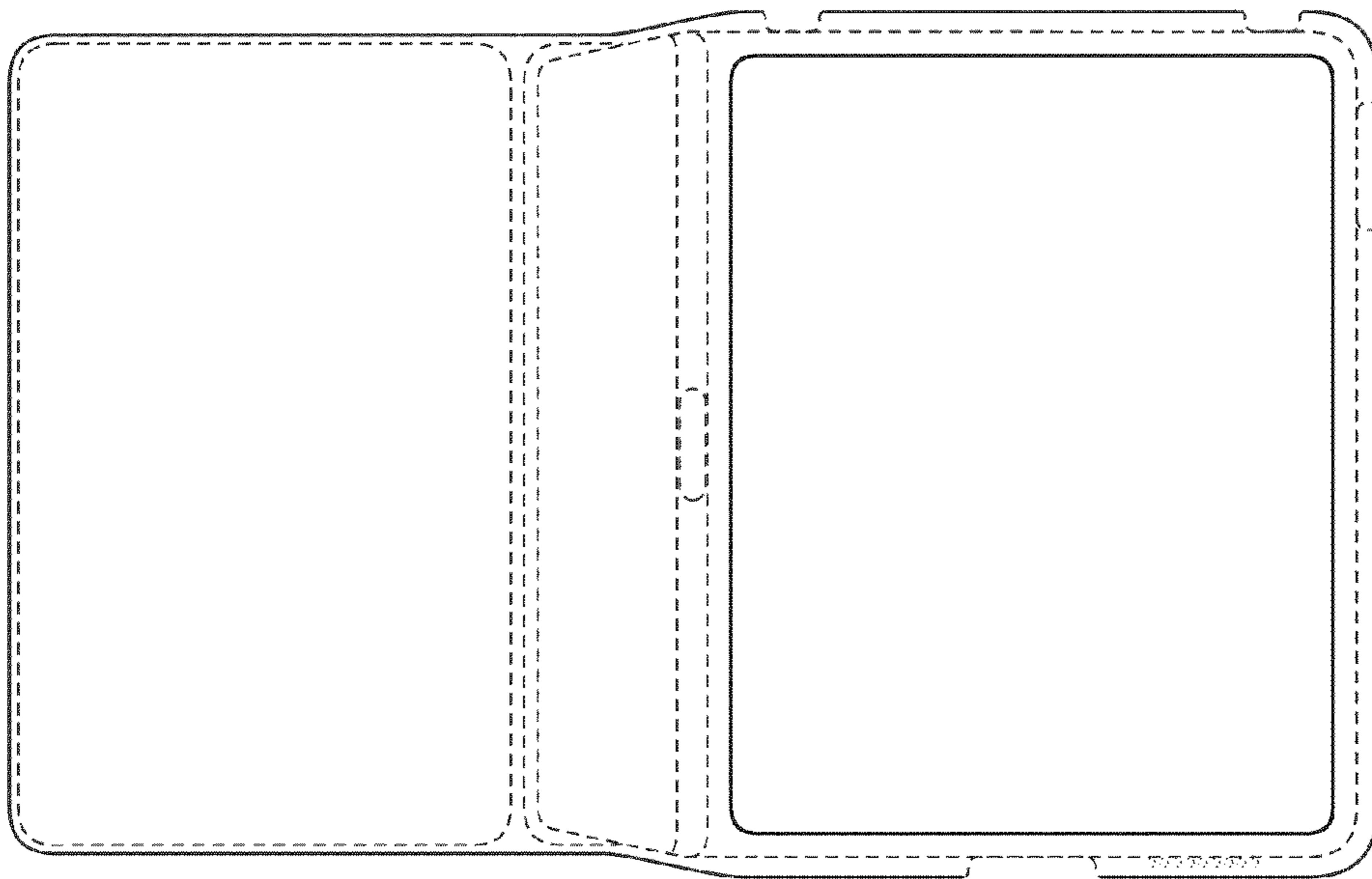


FIG. 1

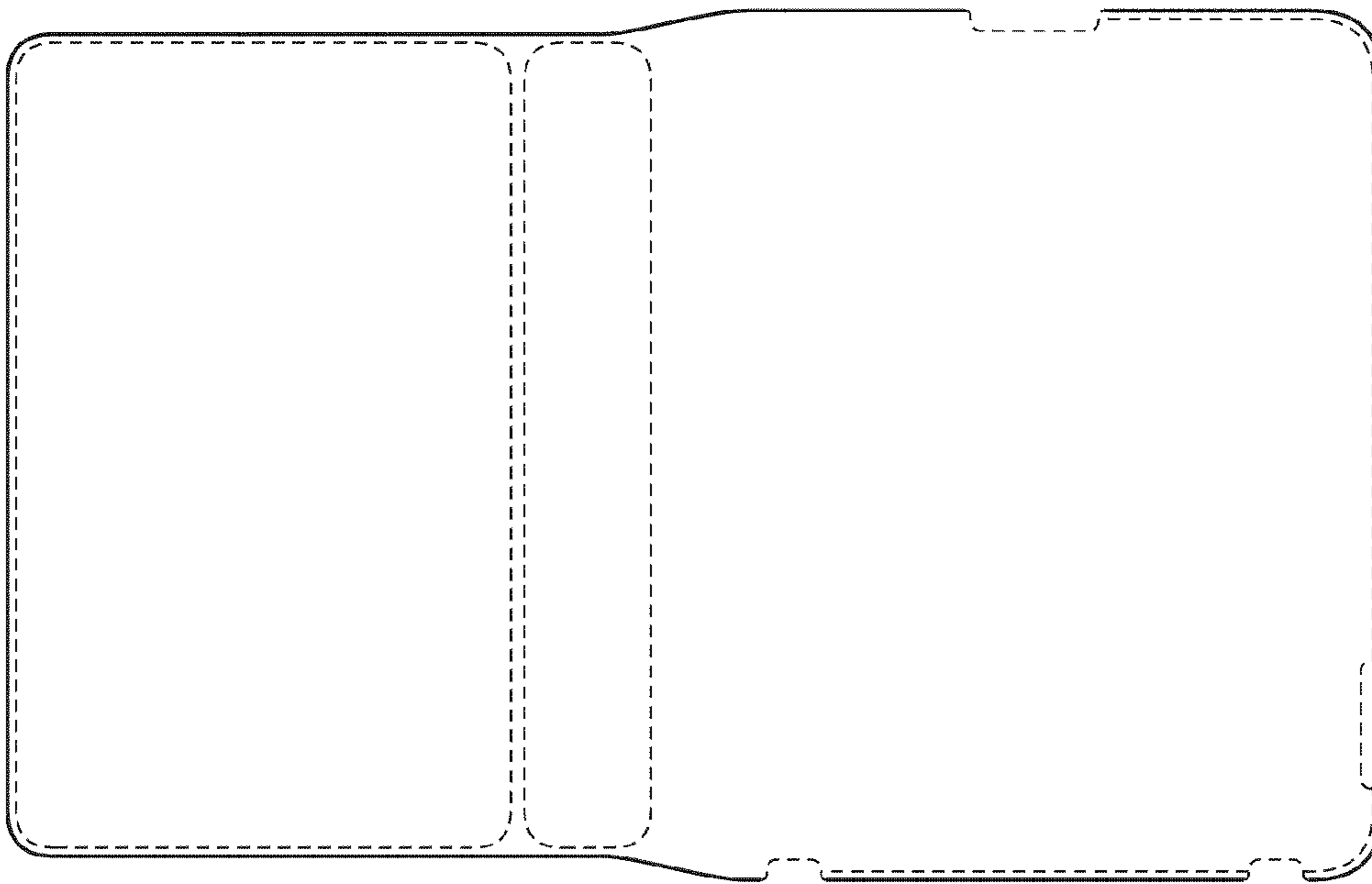


FIG. 3

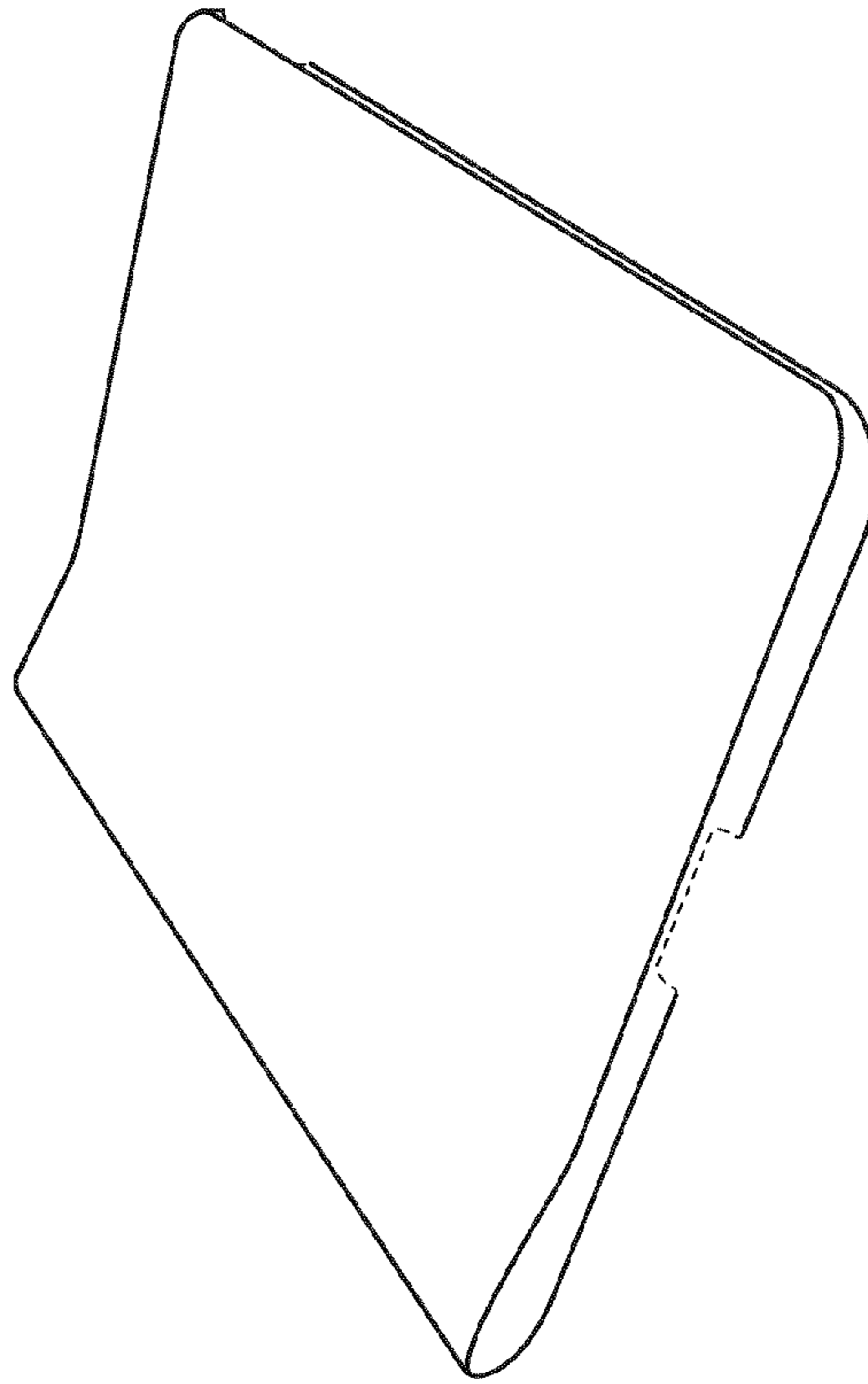


FIG. 4