



US00D649783S

(12) **United States Design Patent**
Brunner

(10) **Patent No.:** **US D649,783 S**

(45) **Date of Patent:** **** Dec. 6, 2011**

(54) **PORTABLE TOOL BOX**

(75) Inventor: **Yaron Brunner**, Timrat (IL)

(73) Assignee: **Keter Plastic Ltd.**, Herzelyia (IL)

(**) Term: **14 Years**

(21) Appl. No.: **29/365,888**

(22) Filed: **Jul. 16, 2010**

(30) **Foreign Application Priority Data**

Jan. 19, 2010 (EM) 1658428

(51) **LOC (9) Cl.** **03-01**

(52) **U.S. Cl.** **D3/279; D3/284**

(58) **Field of Classification Search** D3/273,
D3/274, 276, 279, 280–284, 286, 288, 291,
D3/292, 294–295, 905; 206/349, 372–379;
220/523, 527; 190/18 A; D7/605

See application file for complete search history.

(56) **References Cited**

U.S. PATENT DOCUMENTS

D415,658 S * 10/1999 Frehse D7/605
D467,426 S * 12/2002 Hardigg et al. D3/279
7,284,763 B1 * 10/2007 King 190/18 A
D574,150 S * 8/2008 Ross D3/279

D609,911 S * 2/2010 Twig D3/279
D613,560 S * 4/2010 Robichaud et al. D7/605
D630,851 S * 1/2011 Landau et al. D3/279

* cited by examiner

Primary Examiner — Jennifer Rivard

(74) *Attorney, Agent, or Firm* — Sughrue Mion, PLLC

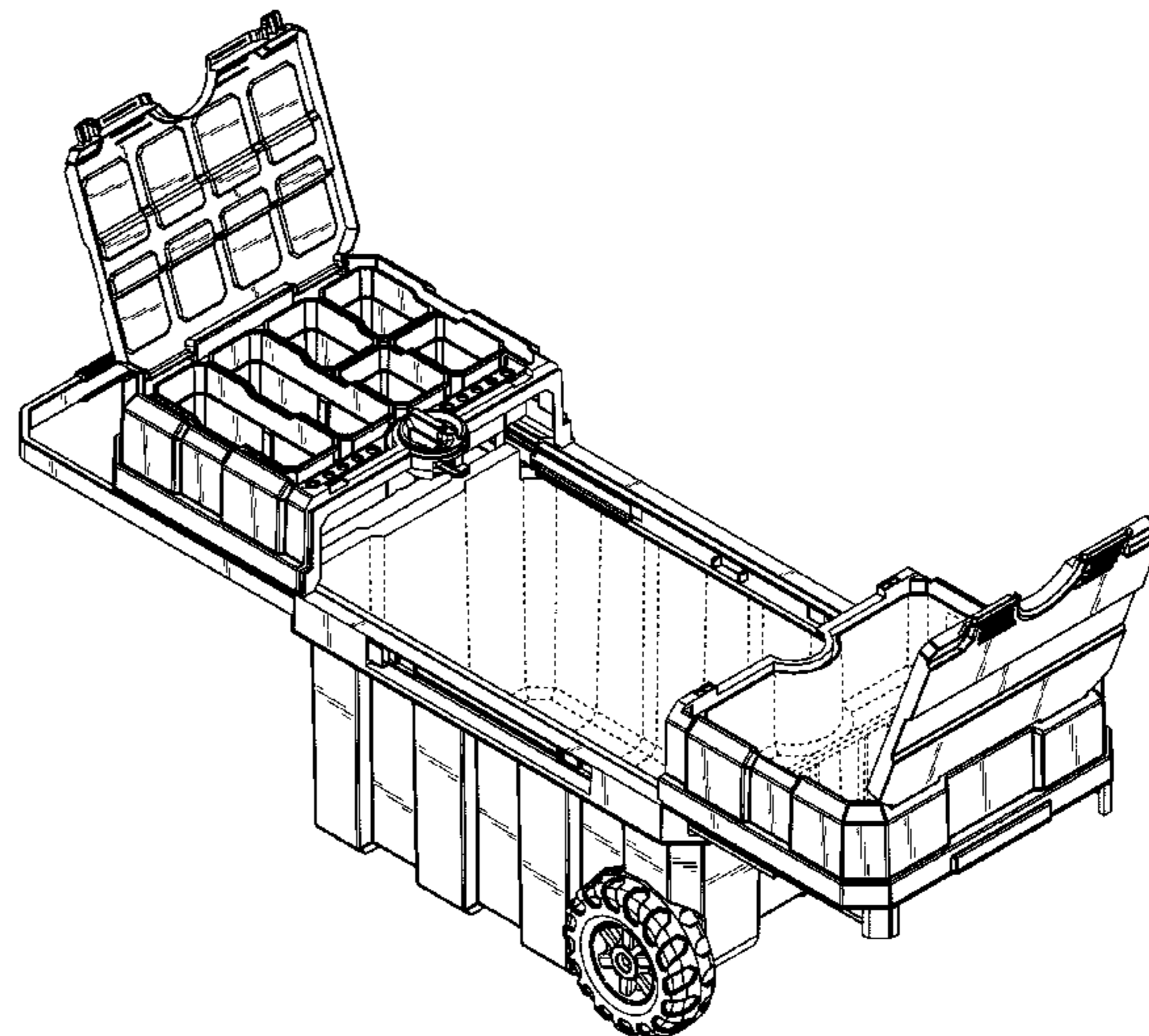
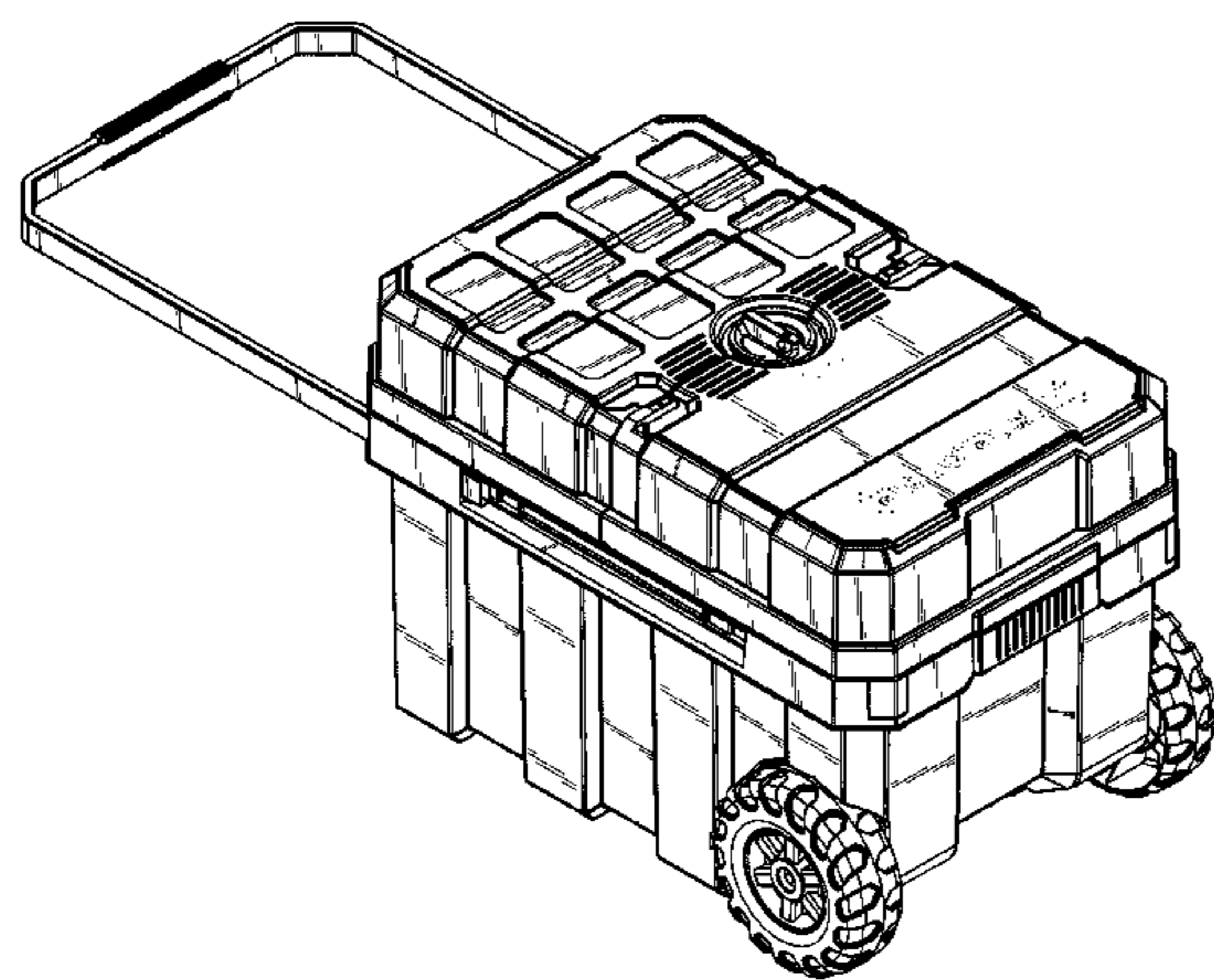
(57) **CLAIM**

The ornamental design for a portable tool box, as shown and described.

DESCRIPTION

FIG. 1 is a front side view of the tool box at first position; FIG. 2 is a left side view of the tool box seen in FIG. 1 at first position; right side view being a mirror image thereof; FIG. 3 is a front left and top perspective view of the tool box at second position; FIG. 4 is a left side view of the tool box seen in FIG. 1 at second position; right side view being a mirror image thereof; FIG. 5 is a rear right and top perspective view of the tool box seen in FIG. 1 at third position; FIG. 6 is a front left and top perspective view of the tool box at fourth position; and, FIG. 7 is a right side view of the tool box seen in FIG. 1 at fourth position; left side view being a mirror image thereof. Broken lines in the drawing figures are used to show portions of the tool box that are not being claimed and thus form no part of the claimed design.

1 Claim, 7 Drawing Sheets



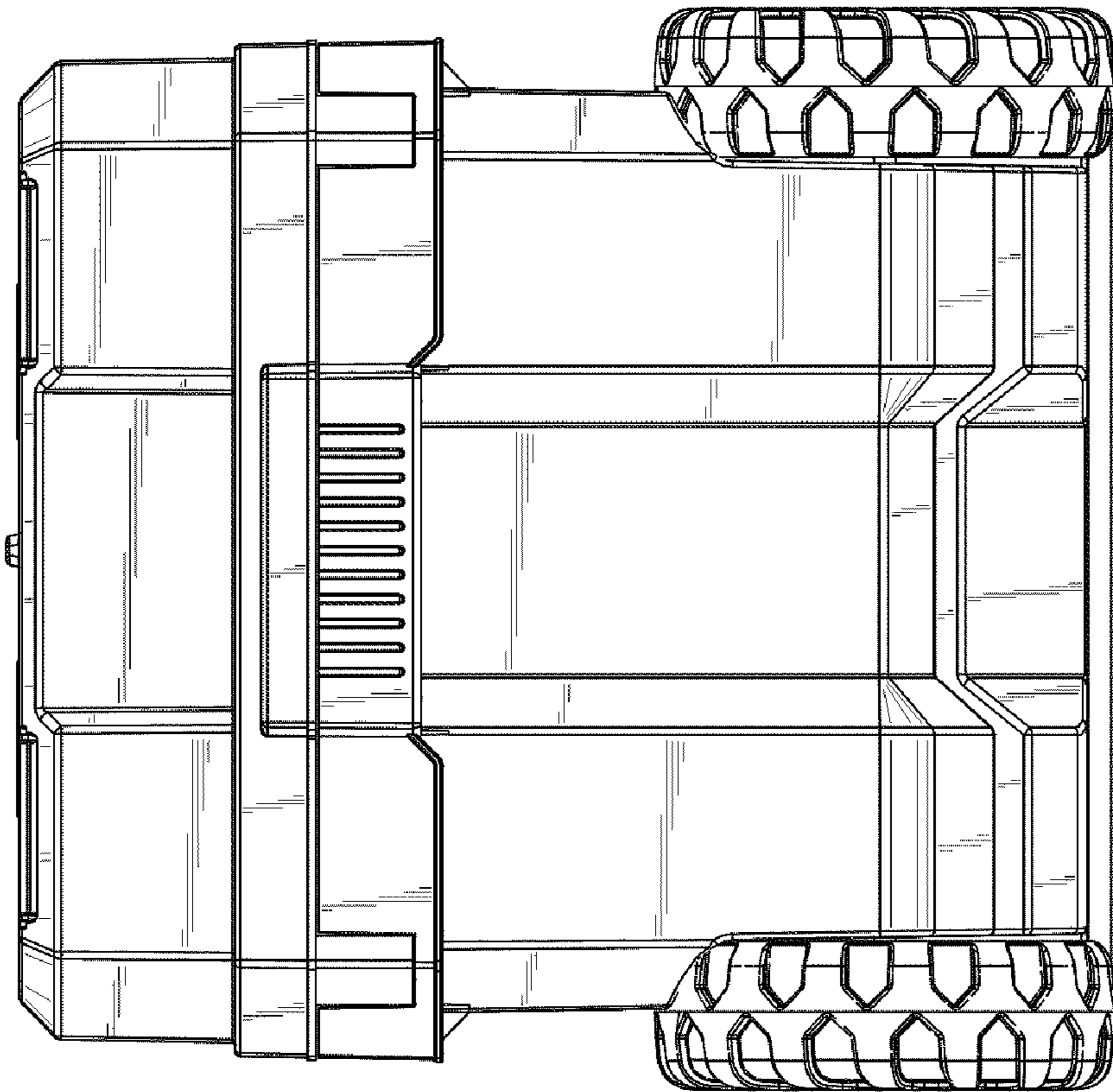


Fig. 1

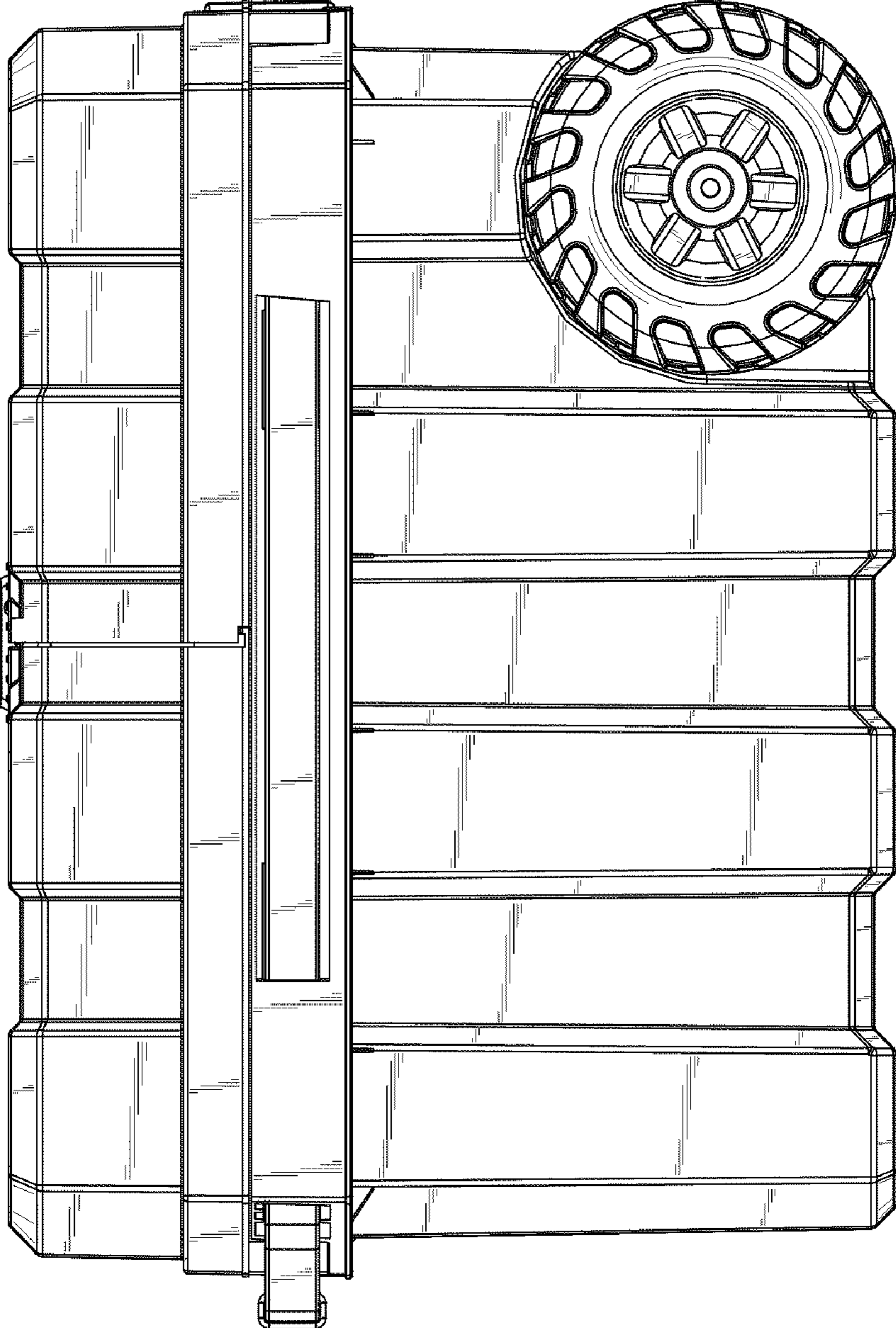


Fig. 2

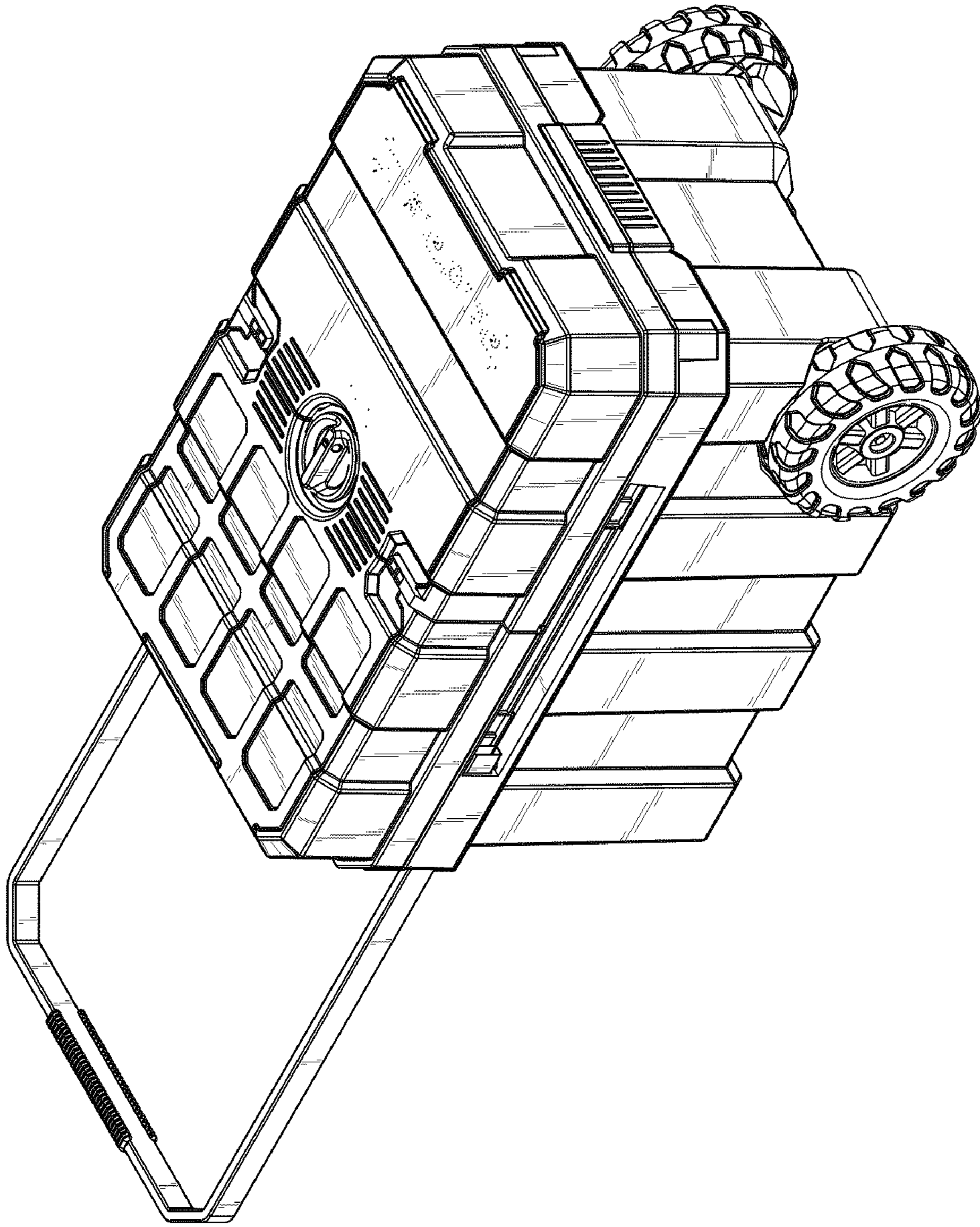


Fig. 3

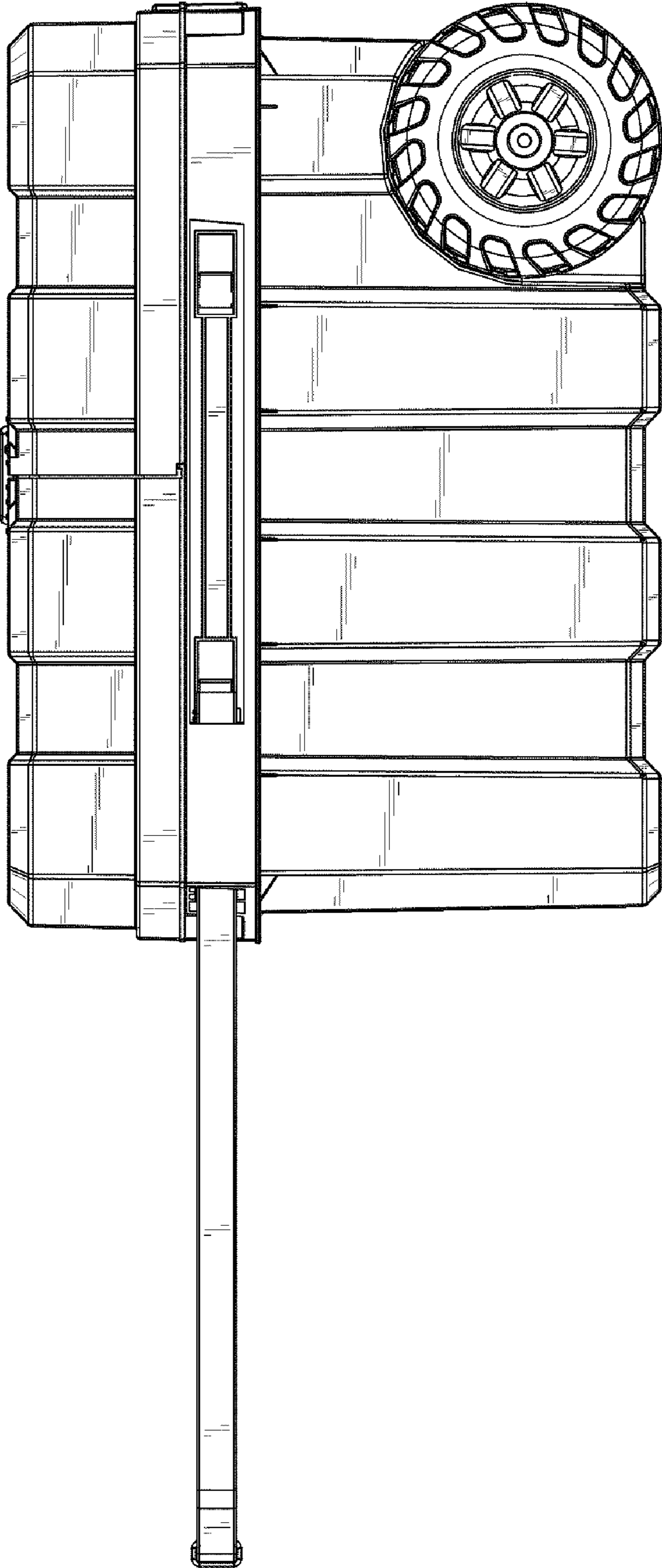


Fig. 4

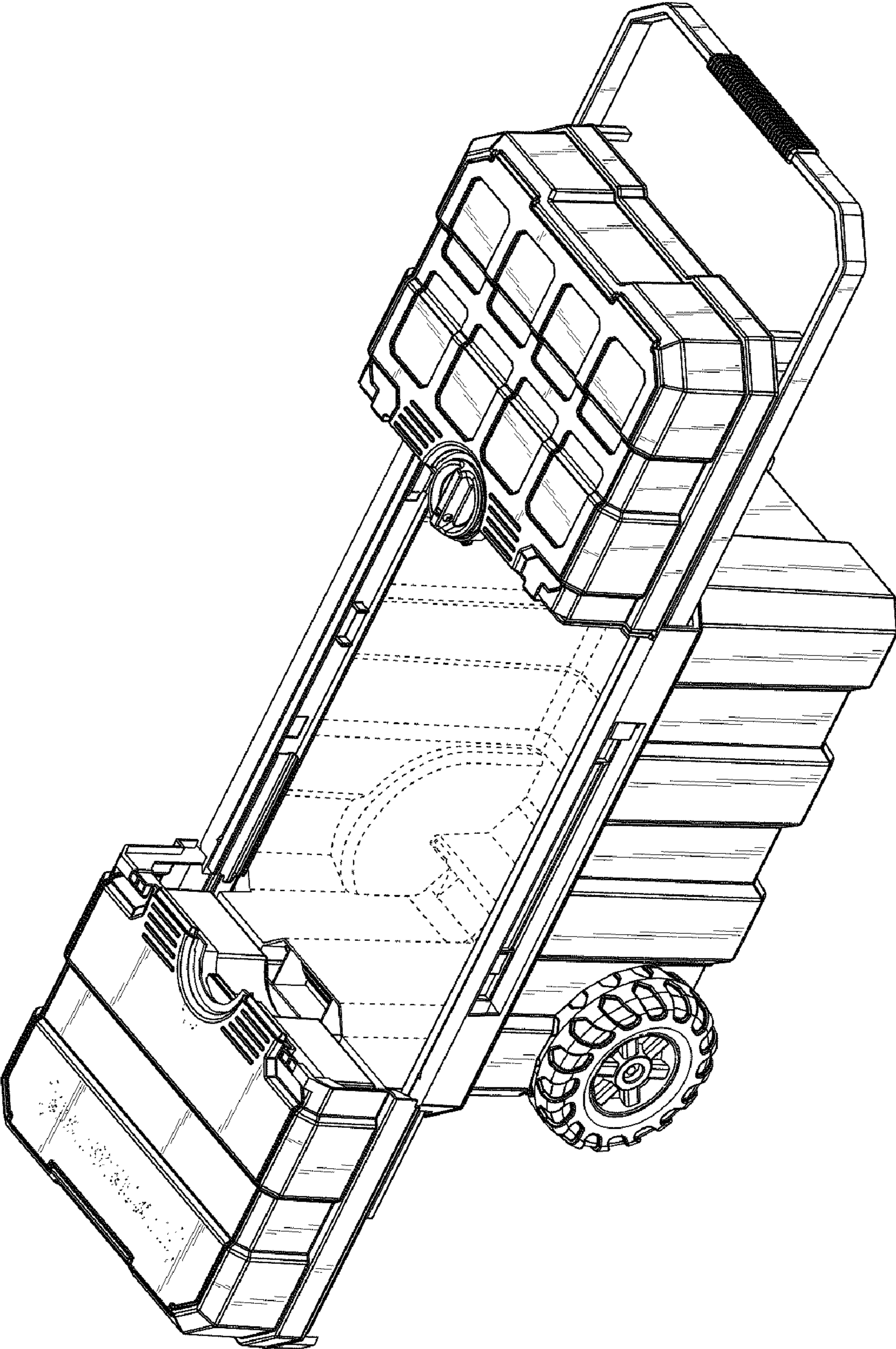


Fig. 5

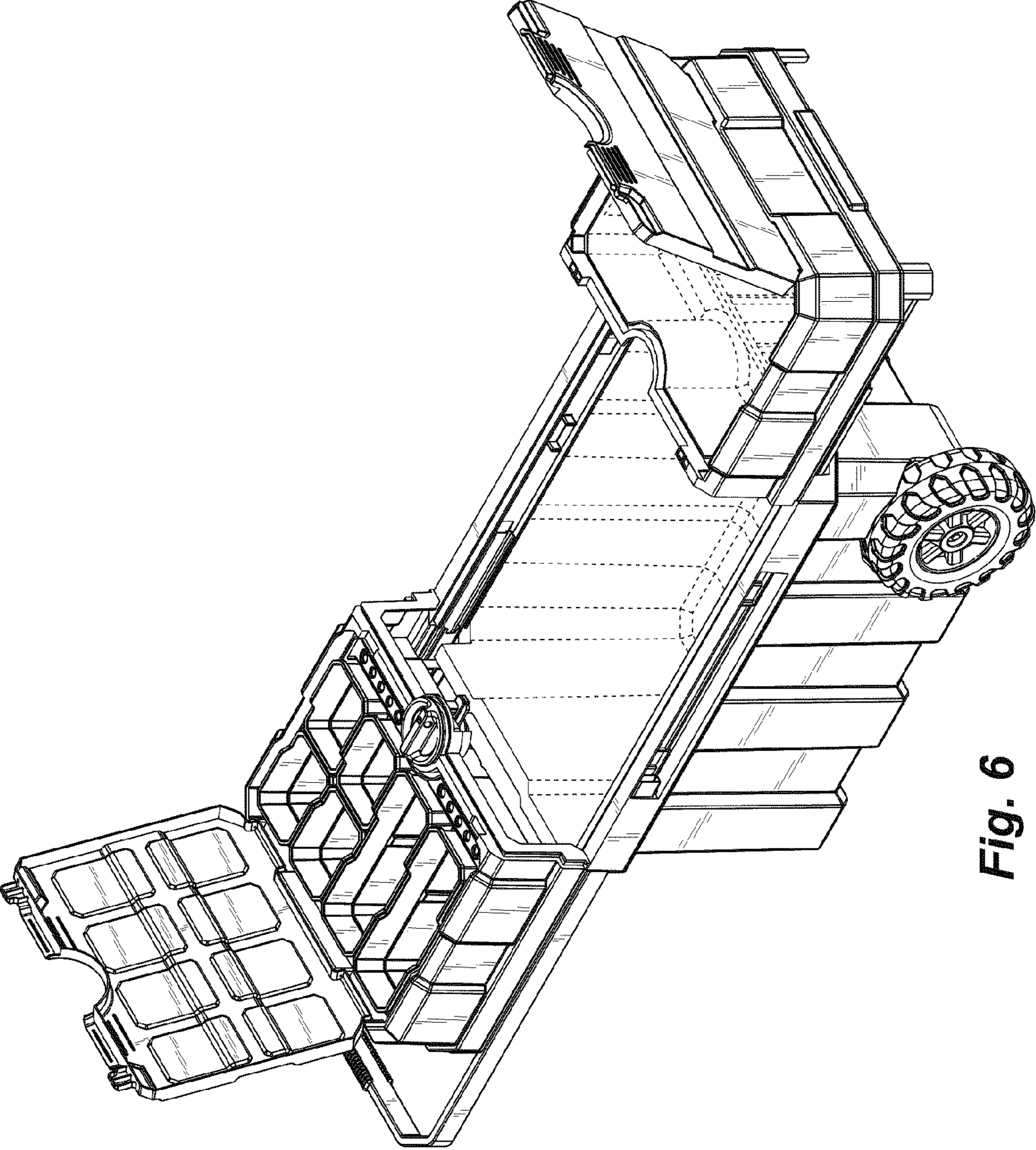


Fig. 6

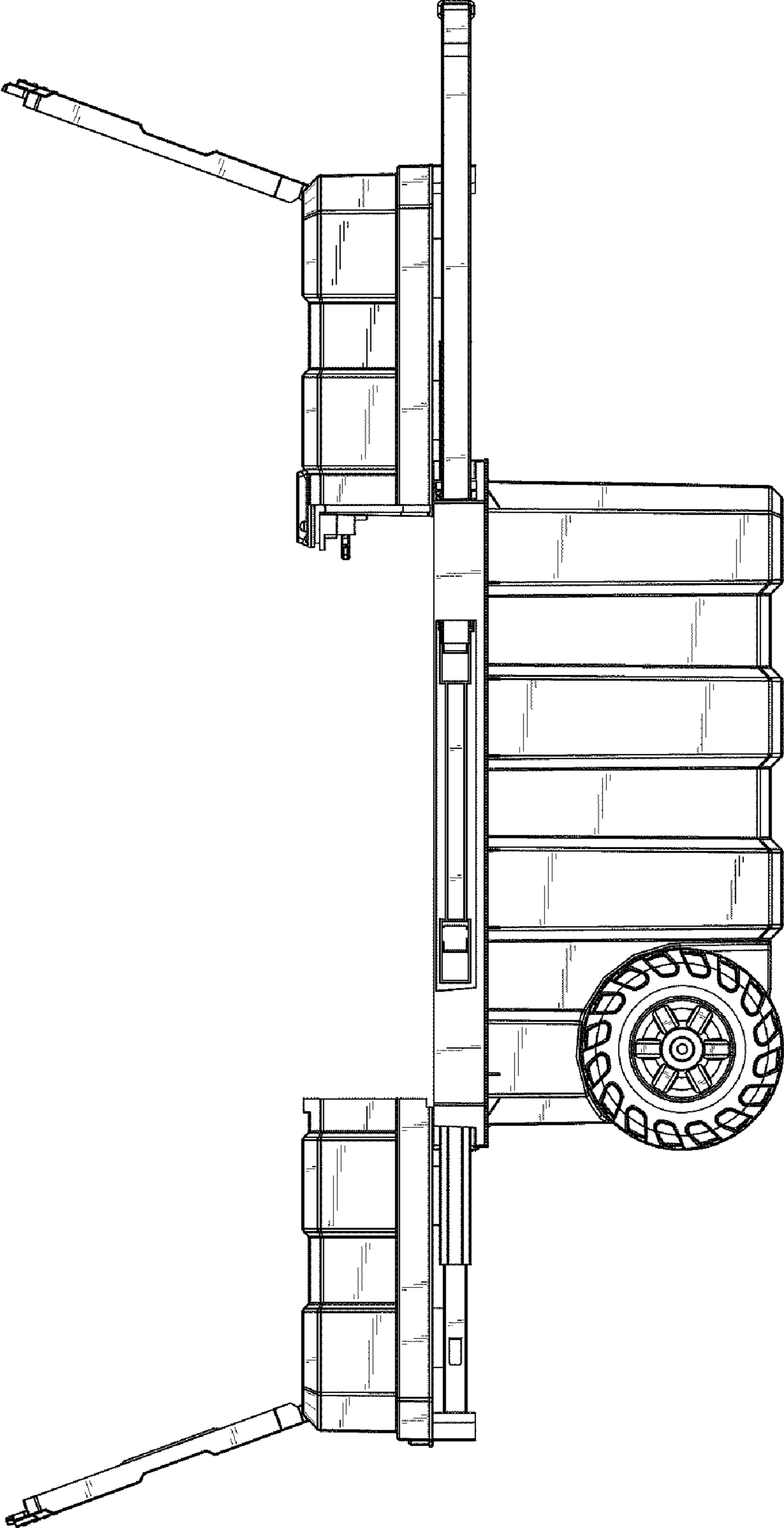


Fig. 7