

US00D649776S

(12) **United States Design Patent**  
**Tyybakinoja et al.**

(10) **Patent No.:** **US D649,776 S**

(45) **Date of Patent:** **\*\* Dec. 6, 2011**

(54) **INNER CASING OF SPRAY HOLSTER**

(75) Inventors: **Jarno Tyybakinoja**, Hyvinkaa (FI);  
**Sami Helle**, Masku (FI)

(73) Assignee: **Holster Tech Finland Oy**, Lahela (FI)

(\*\*) Term: **14 Years**

(21) Appl. No.: **29/389,700**

(22) Filed: **Apr. 15, 2011**

(51) **LOC (9) Cl.** ..... **03-01**

(52) **U.S. Cl.** ..... **D3/201**

(58) **Field of Classification Search** ..... D3/201-205,  
D3/215; 224/148.5, 148.7, 196, 246, 674,  
224/914, 669, 904, 683; 222/153.1, 153.11,  
222/153.13, 183, 402.11

See application file for complete search history.

(56) **References Cited**

**U.S. PATENT DOCUMENTS**

5,002,214 A \* 3/1991 Caranci ..... 224/669  
5,458,263 A \* 10/1995 Ciammitti et al. .... 222/153.1  
D368,364 S \* 4/1996 Reitano et al. .... D3/215

5,531,359 A \* 7/1996 Winner ..... 222/153.11  
5,570,817 A \* 11/1996 Anderson et al. .... 222/153.11  
D631,648 S \* 2/2011 Pullin ..... D3/203.1  
D644,424 S \* 9/2011 Paboojian et al. .... D3/203.1

\* cited by examiner

*Primary Examiner* — Catheri Oliver

(74) *Attorney, Agent, or Firm* — Fildes & Outland, P.C.

(57) **CLAIM**

The ornamental design for an inner casing of spray holster, as shown and described.

**DESCRIPTION**

FIG. 1 is a top plan view of an inner casing of spray holster embodying our new design;

FIG. 2 is a bottom plan view of the inner casing of spray holster;

FIG. 3 is a side view of the inner casing of spray holster;

FIG. 4 is a side view of the other side of the inner casing of spray holster; and,

FIG. 5 is a front perspective view of the inner casing of spray holster.

**1 Claim, 5 Drawing Sheets**

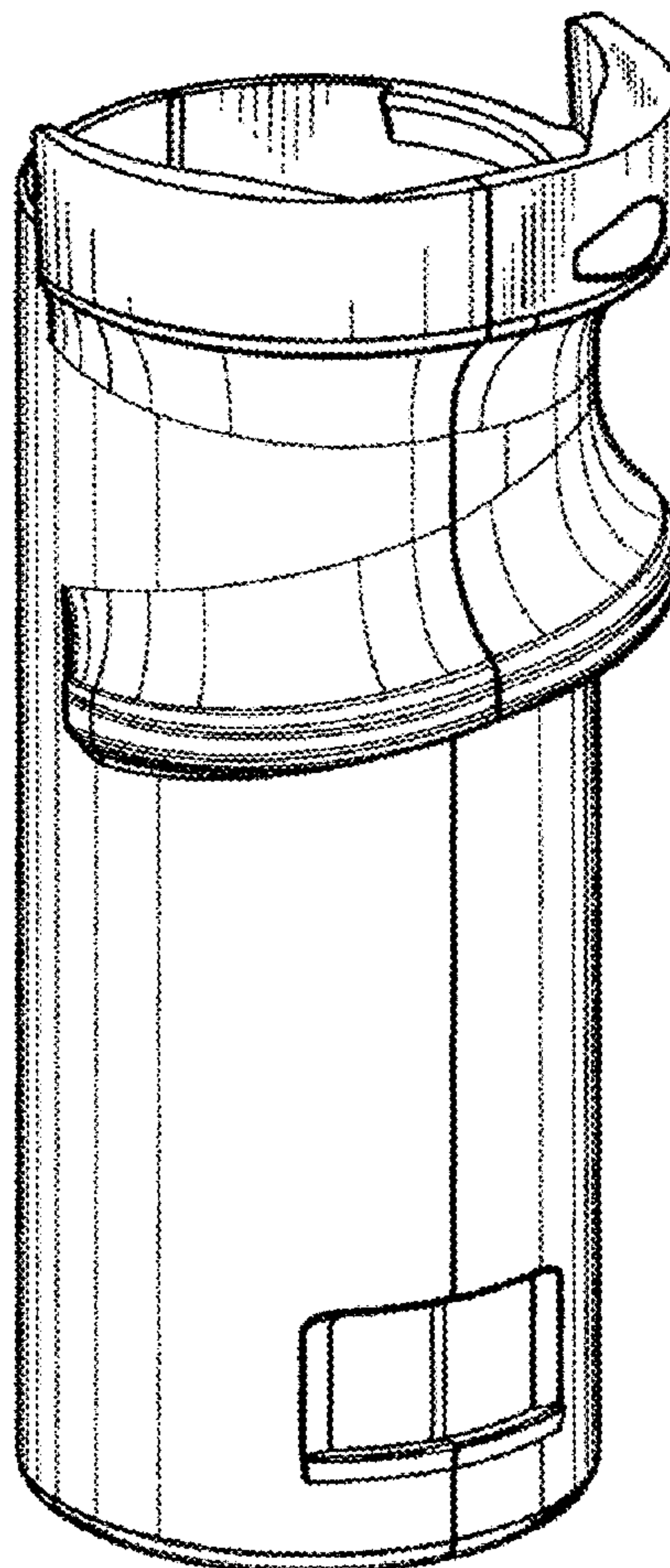


FIG. 1

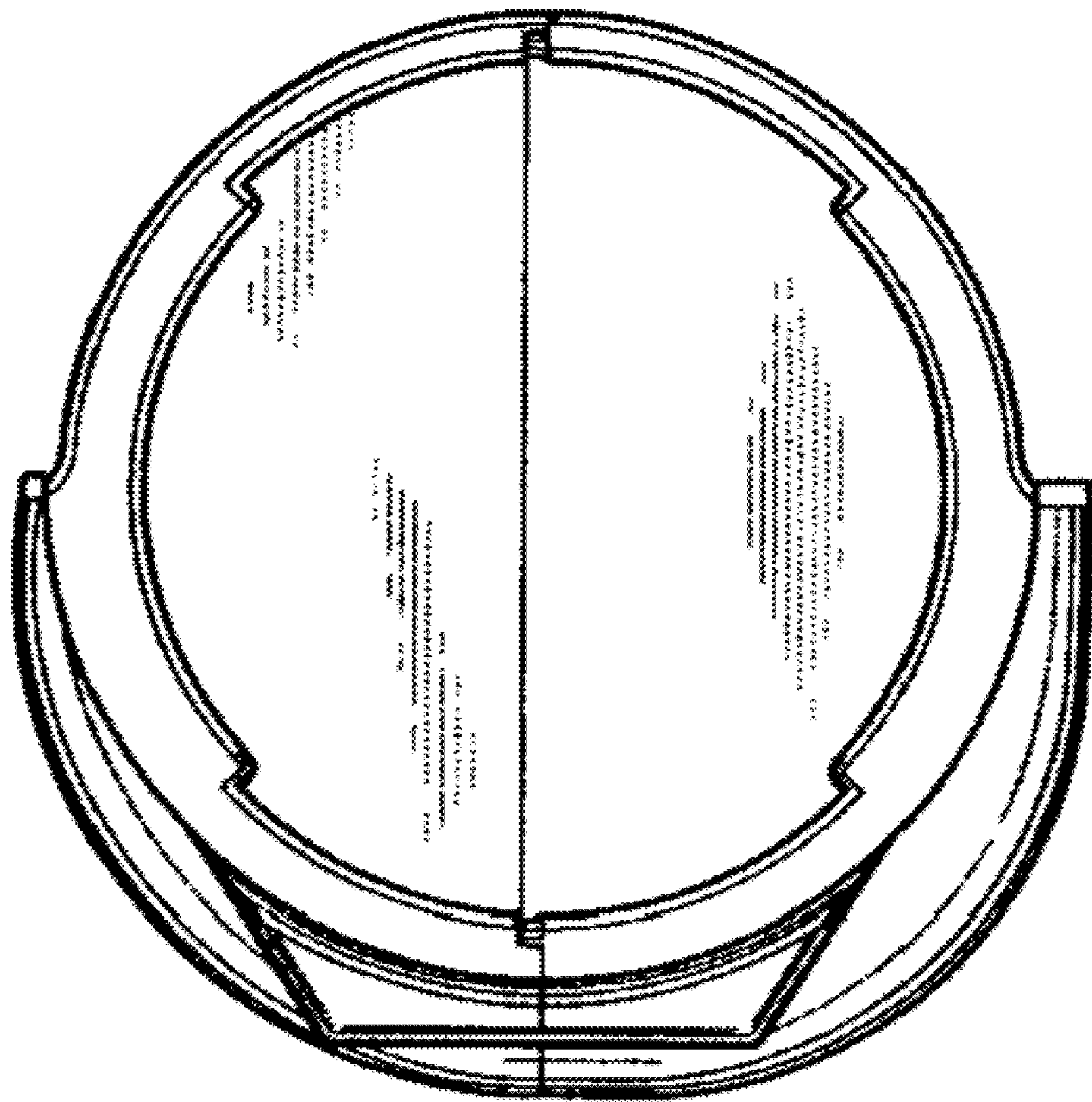


FIG. 2

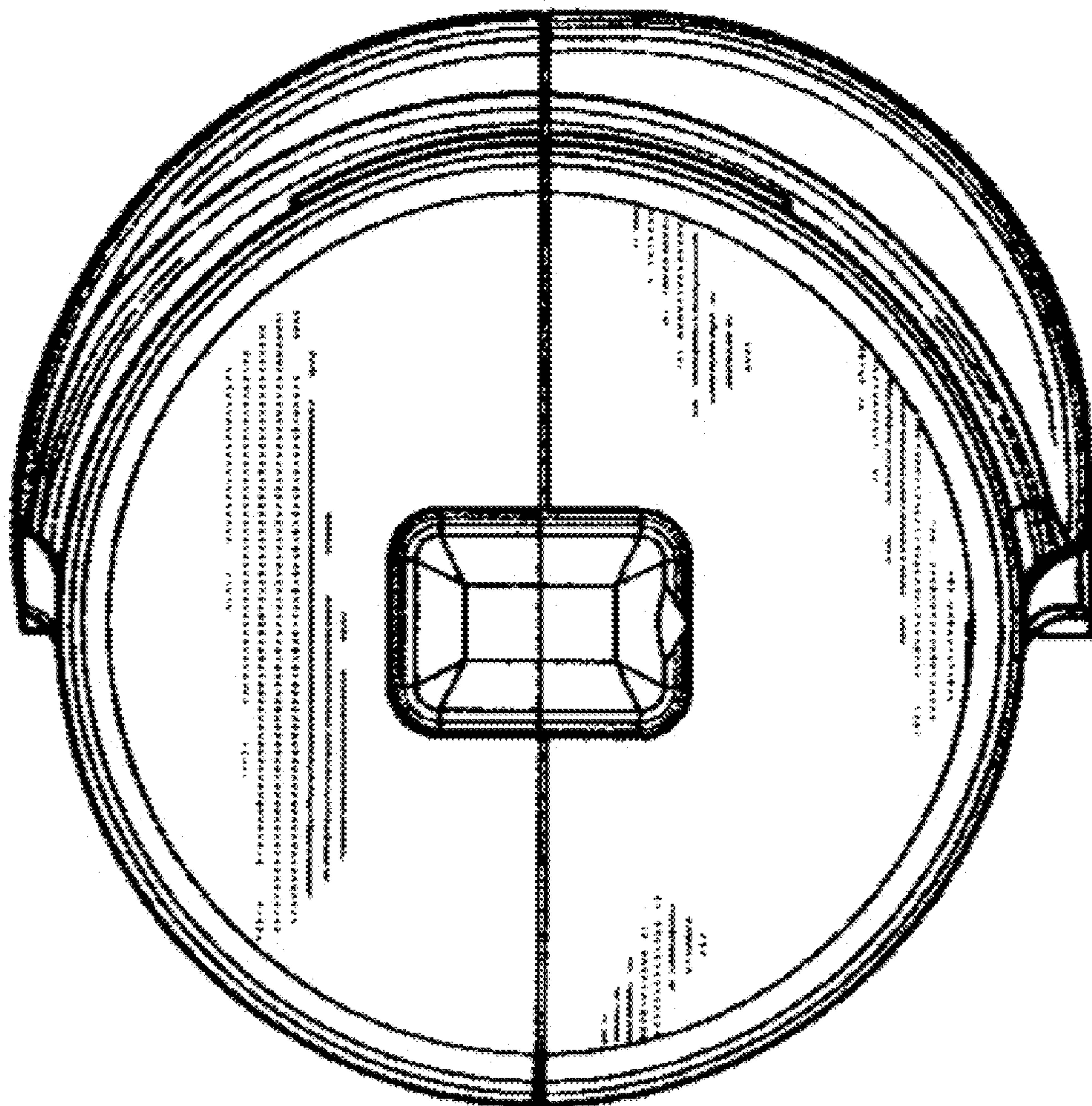




FIG. 3

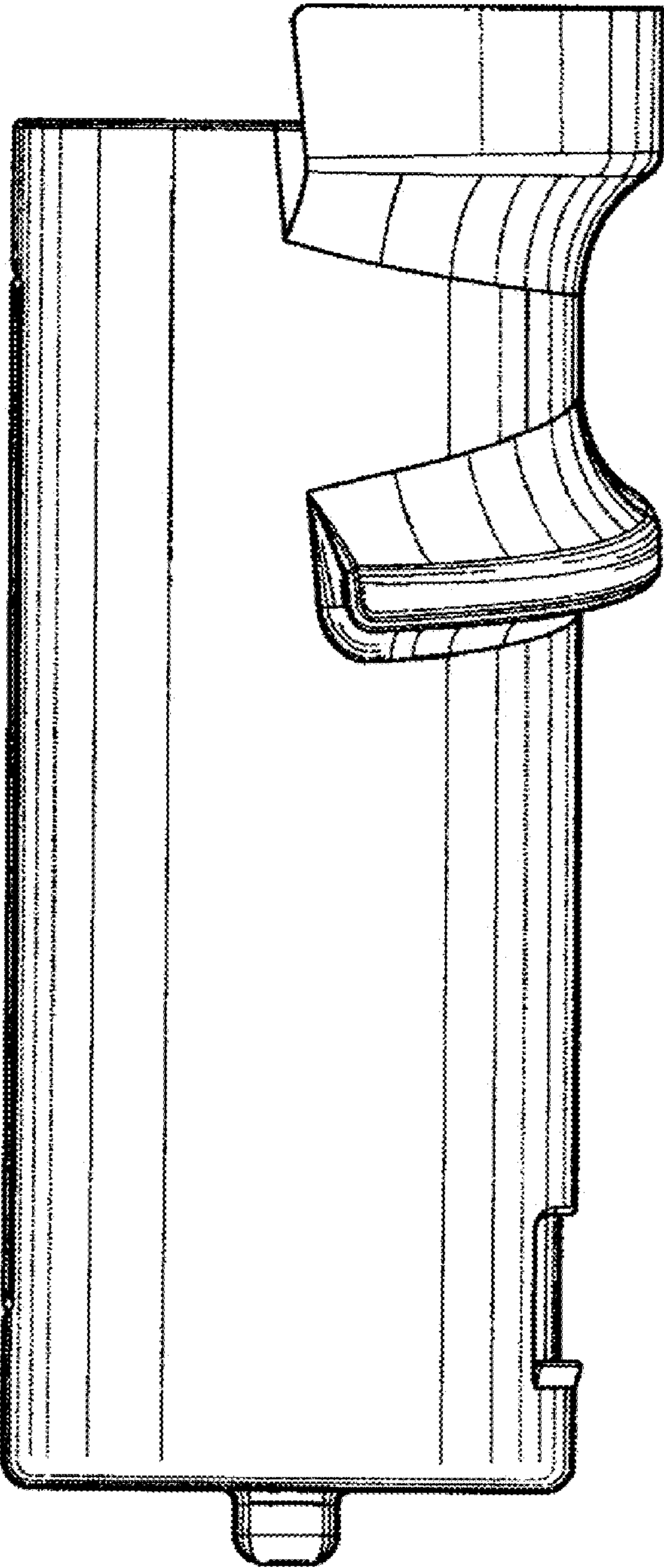


FIG. 4

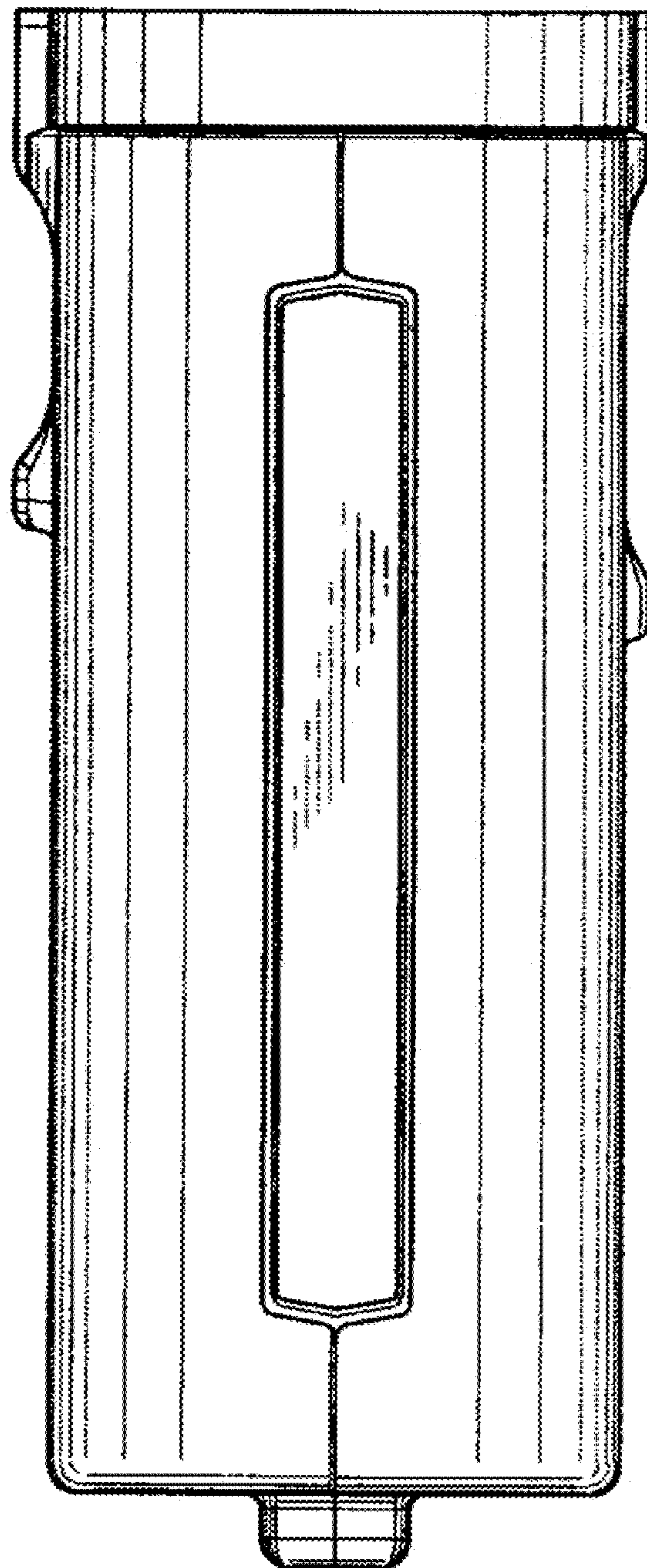


FIG. 5

