



US00D649775S

(12) **United States Design Patent**
Munch

(10) **Patent No.:** **US D649,775 S**

(45) **Date of Patent:** **** Dec. 6, 2011**

(54) **CORD CADDY**

(76) **Inventor:** **Phillip Joseph Munch**, Laytonville, CA
(US)

(**) **Term:** **14 Years**

(21) **Appl. No.:** **29/312,773**

(22) **Filed:** **Nov. 13, 2008**

(51) **LOC (9) Cl.** **03-01**

(52) **U.S. Cl.** **D3/201**

(58) **Field of Classification Search** D3/315,
D3/201, 320, 317, 307, 304, 310, 904, 305,
D3/313; D25/62-65; 242/388.5, 401, 405.2,
242/127; 294/137; D6/570

See application file for complete search history.

(56) **References Cited**

U.S. PATENT DOCUMENTS

579,056 A * 3/1897 Gibbons et al. 242/405.2
2,420,839 A * 5/1947 Ostrom 242/127
3,529,786 A * 9/1970 Holden 242/388.1

4,193,563 A * 3/1980 Vitale 242/405.2
D310,926 S * 10/1990 Bass et al. D6/570
D441,243 S * 5/2001 Williams D6/570
6,497,382 B2 * 12/2002 King 242/405.2
6,962,306 B2 * 11/2005 West 242/405.2
D535,103 S * 1/2007 Fischer et al. D3/315
7,395,985 B2 * 7/2008 Lazzaro 242/401

* cited by examiner

Primary Examiner — Catheri Oliver

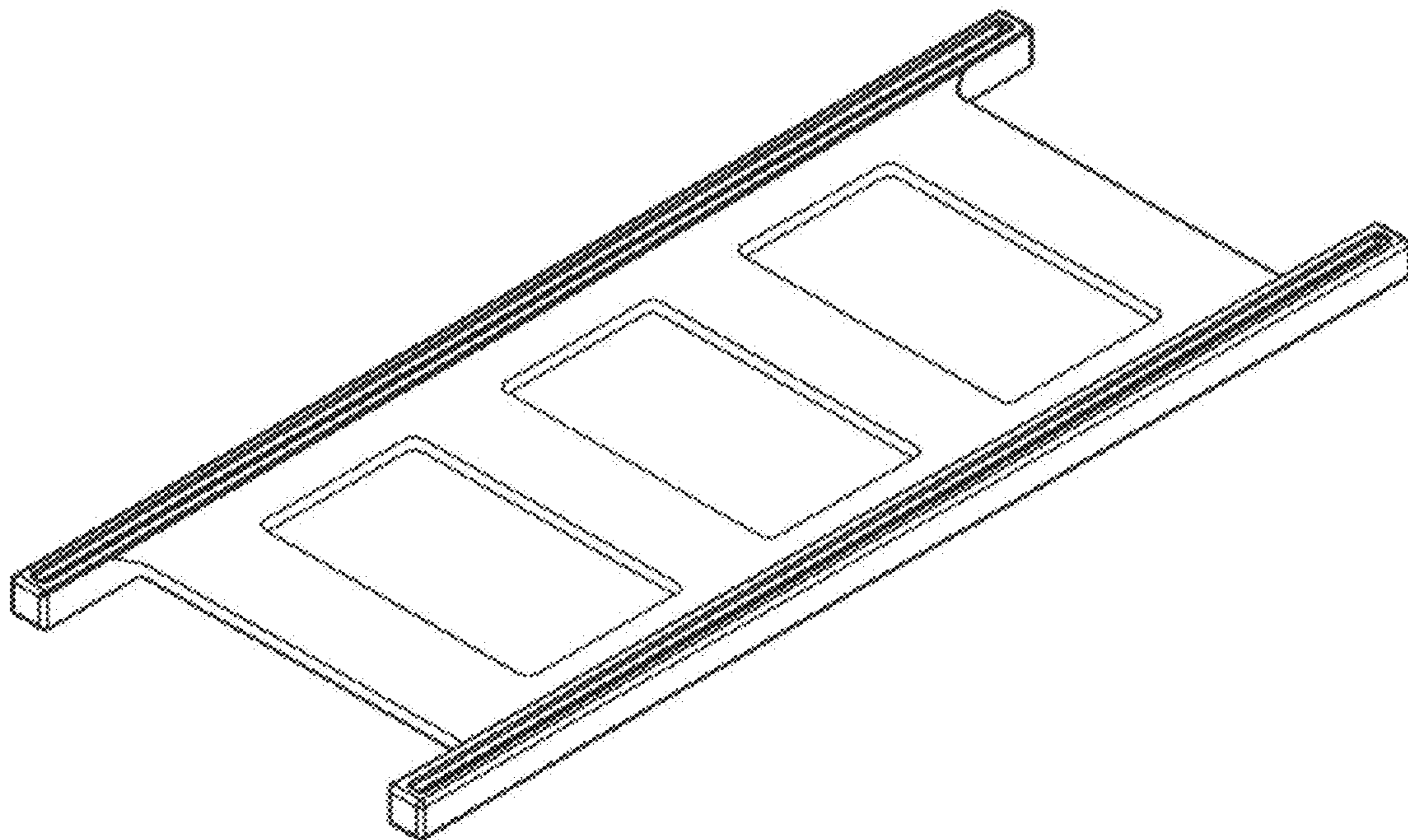
(57) **CLAIM**

The ornamental design for a cord caddy, as shown and described.

DESCRIPTION

FIG. 1 is a perspective view showing my new design;
FIG. 2 is front view thereof;
FIG. 3 is a side view thereof with both sides being identical;
FIG. 4 is a rear view thereof;
FIG. 5 is a top view thereof with the bottom view identical;
and,
FIG. 6 is a cross sectional view taken along line 6-6 in FIG. 4.

1 Claim, 1 Drawing Sheet



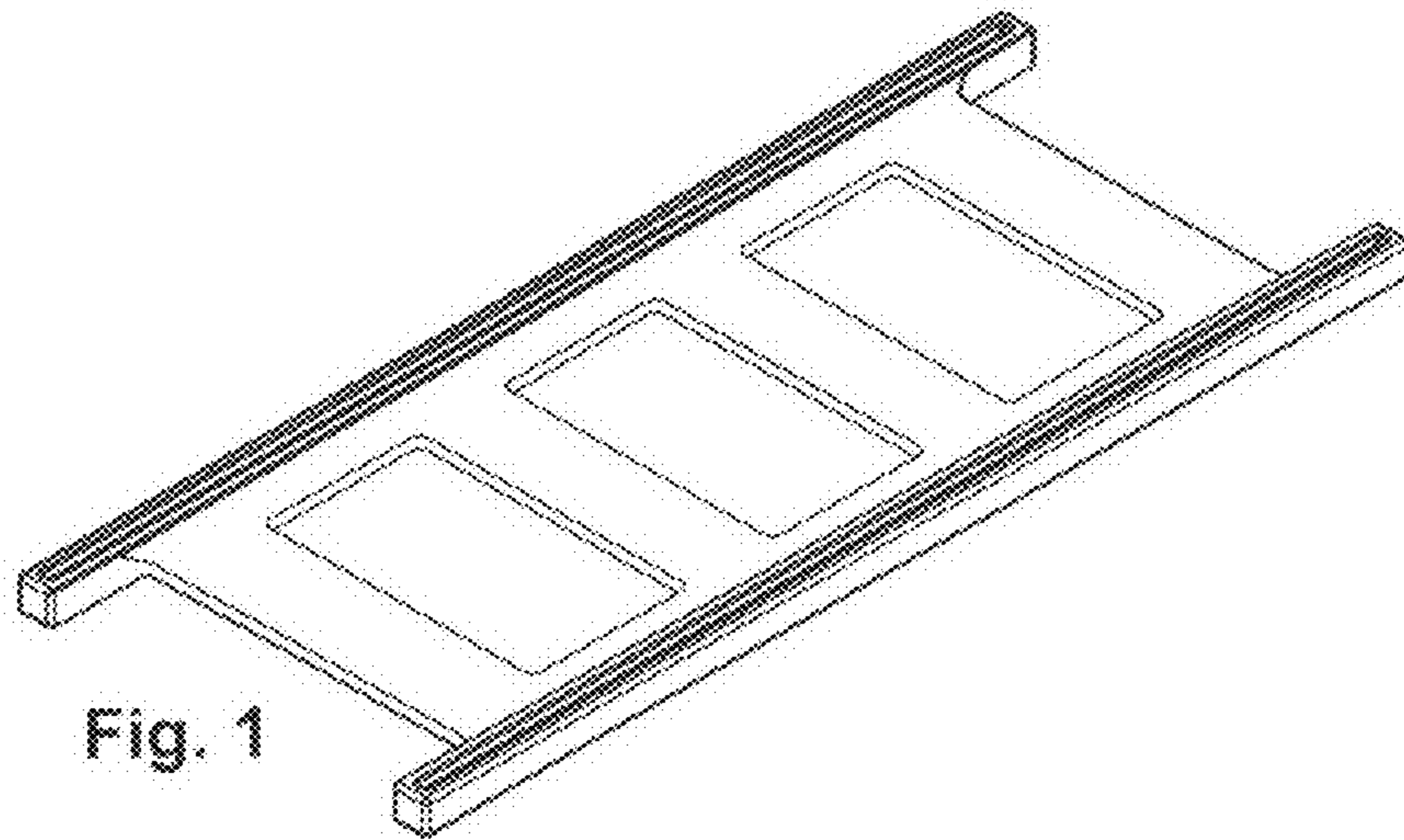


Fig. 1

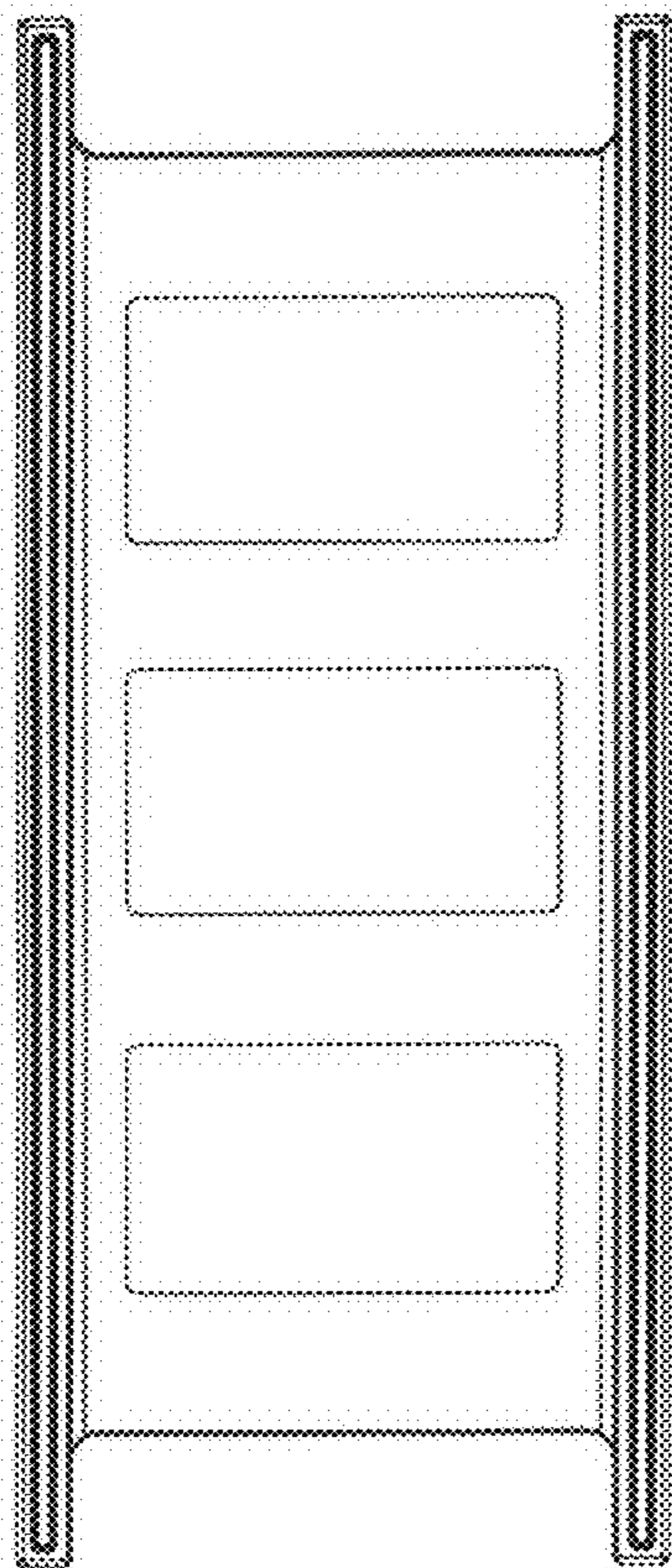


Fig. 2

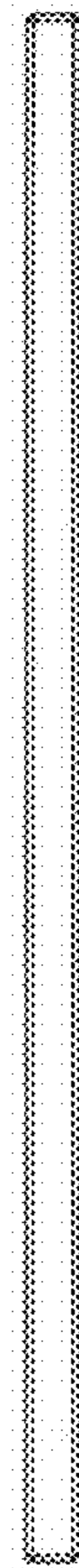


Fig. 3

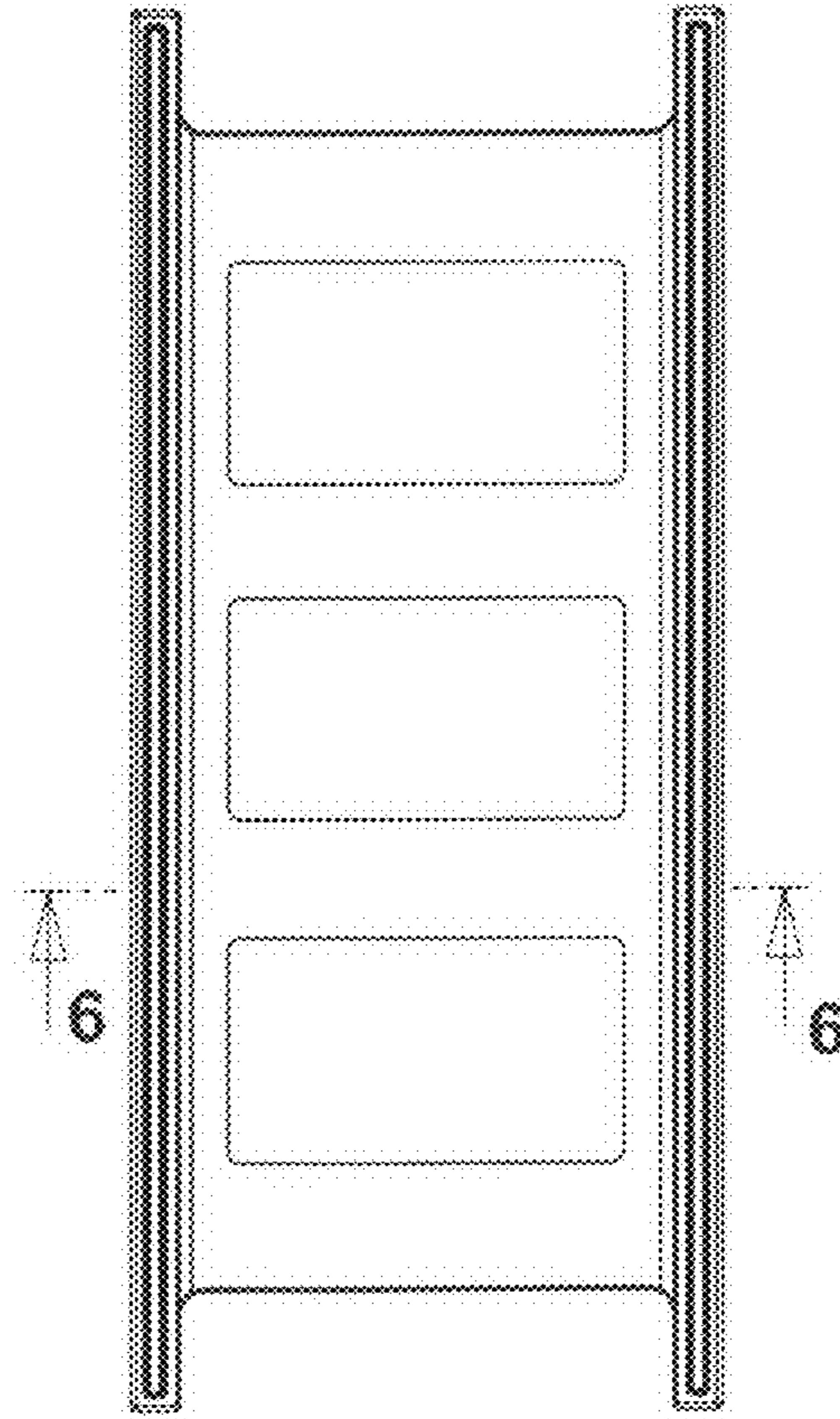


Fig. 4

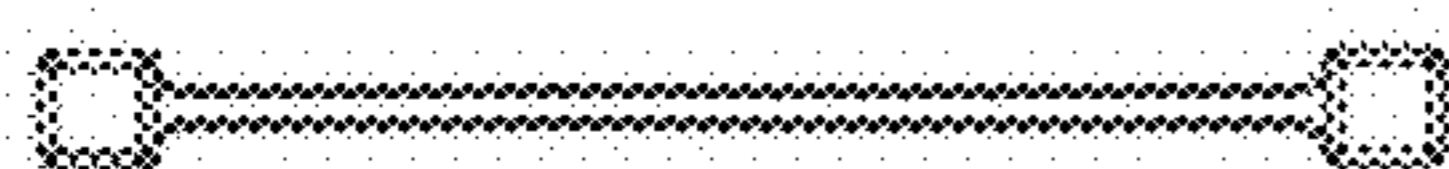


Fig. 5

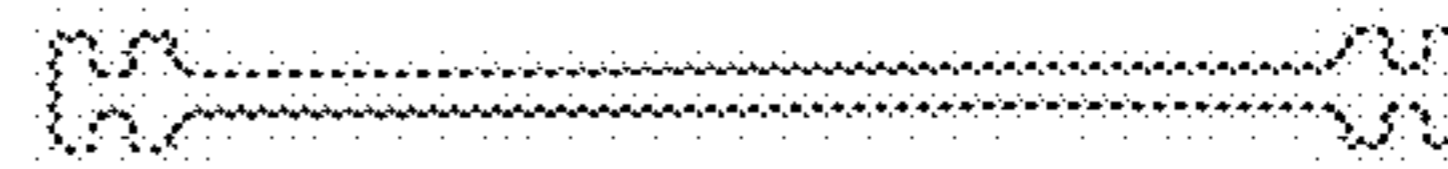


Fig. 6