



US00D649773S

(12) **United States Design Patent**
Mahoney

(10) **Patent No.:** **US D649,773 S**

(45) **Date of Patent:** **** Dec. 6, 2011**

- (54) **KNEE CRUTCH WITH HINGED LEG CRADLE**
 - (76) Inventor: **Ormonde M. Mahoney**, Athens, GA (US)
 - (**) Term: **14 Years**
 - (21) Appl. No.: **29/391,652**
 - (22) Filed: **May 11, 2011**
 - (51) **LOC (9) Cl.** **03-03**
 - (52) **U.S. Cl.** **D3/7**
 - (58) **Field of Classification Search** D3/5-17; D12/128-133; 135/65-70, 912; D24/155, D24/188, 190; 623/32
- See application file for complete search history.

(56) **References Cited**

U.S. PATENT DOCUMENTS

2,778,370	A *	1/1957	Chamblee	135/68
3,633,967	A *	1/1972	Timmins	297/423.45
4,141,375	A	2/1979	Tykwinski	
4,291,715	A *	9/1981	Monte	135/68
D265,248	S *	6/1982	Grigorieff	D24/190
4,349,016	A *	9/1982	Glassman et al.	602/23
4,489,716	A *	12/1984	Blackwood et al.	602/20
D283,165	S *	3/1986	Womack	D24/190
D291,148	S *	8/1987	Rizzo	D3/7
4,924,894	A	5/1990	Martinez	
5,300,016	A *	4/1994	Marlatt	602/16
5,575,299	A *	11/1996	Bieri	135/66
5,746,236	A	5/1998	Tilsley et al.	
D399,968	S *	10/1998	Petersen	D24/190
5,941,263	A *	8/1999	Bierman	135/68
D419,288	S	1/2000	Hartfield	
6,494,919	B1 *	12/2002	Matthews	623/32
6,595,937	B1 *	7/2003	Moon et al.	602/5
6,799,592	B1 *	10/2004	Reynolds	135/74
D516,800	S *	3/2006	Bacon	D3/8
7,303,537	B1 *	12/2007	Snyder et al.	602/16
7,600,524	B2 *	10/2009	West	135/71
7,959,545	B2 *	6/2011	Olexenko	482/148
2010/0269872	A1	10/2010	Tharp	

OTHER PUBLICATIONS

IWalk-FREE.com. Web. May 11, 2011. <<http://www.iwalk-free.com/>>.

* cited by examiner

Primary Examiner — Celia A Murphy
Assistant Examiner — John Windmuller
 (74) *Attorney, Agent, or Firm* — Smith Risley Tempel Santos LLC; Matthew T. Hoots

(57) **CLAIM**

The ornamental design for a knee crutch with hinged leg cradle, as shown and described.

DESCRIPTION

This application is related to the U.S. Non-provisional application Ser. No. 13/105,647 filed concurrently herewith under 37 CFR 1.53(b), having a title of Knee Crutch System, and filed under customer No. 35856, the entire contents of which are hereby incorporated by reference. This application is also related to the U.S. application Ser. No. 29/391,655 for design patent filed concurrently herewith under 37 CFR 1.53(d), having a title of Knee Crutch, and filed under customer No. 35856, the entire contents of which are hereby incorporated by reference.

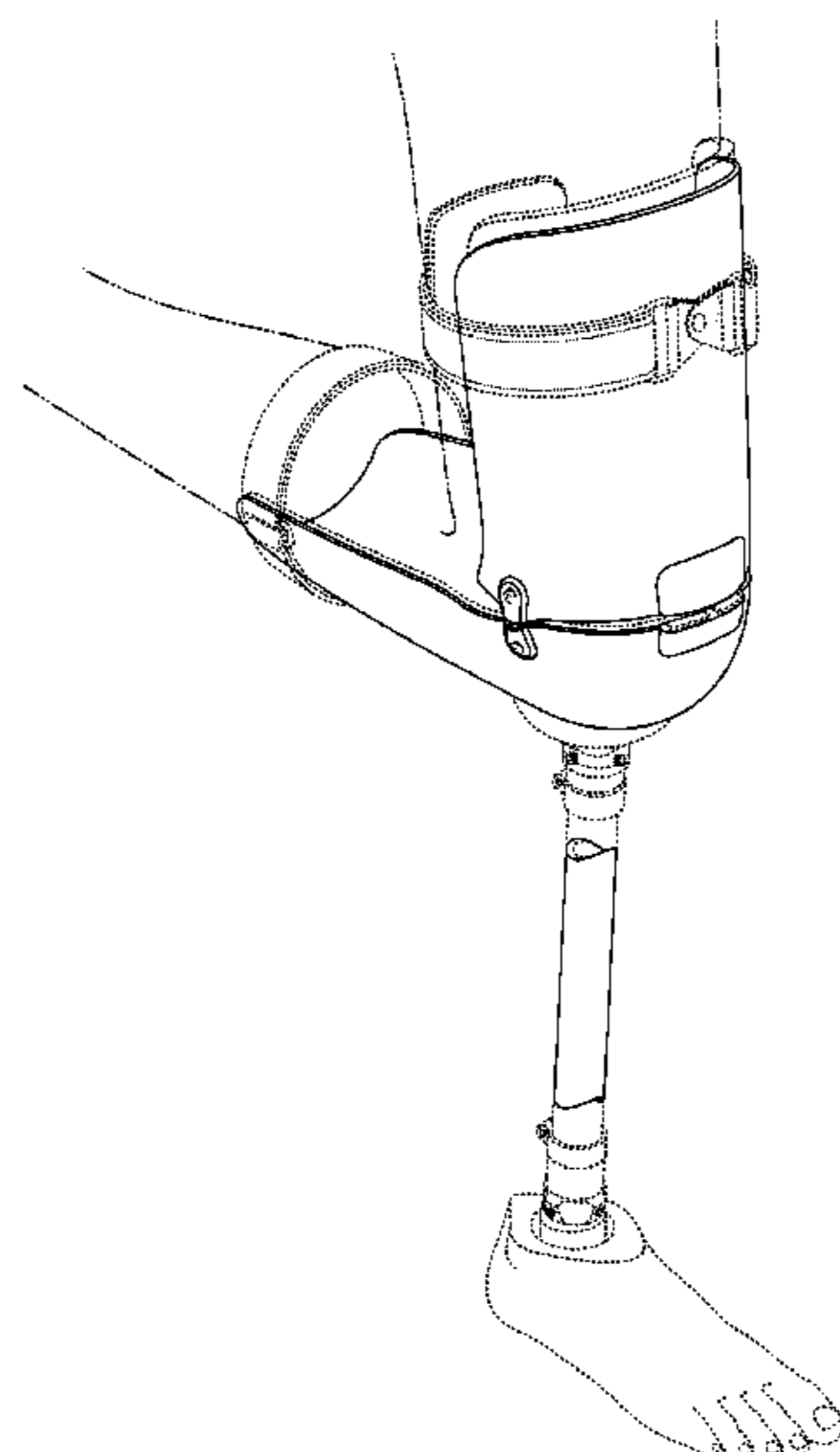
FIG. 1 is a perspective view of my new ornamental design for a knee crutch with hinged leg cradle;
 FIG. 2 is a left-side elevation view of the knee crutch with hinged leg cradle shown in FIG. 1;
 FIG. 3 is a front elevation view of the knee crutch with hinged leg cradle shown in FIG. 1; and,
 FIG. 4 is a back elevation view of the knee crutch with hinged leg cradle shown in FIG. 1.

The broken lines in the drawings are for illustrative purposes only and form no part of the claimed design.

The post portion is shown broken away to indicated that it has no specific length beyond what is shown.

All of the material from the above applications which is essential to the claimed design is included herein. Any material in these applications which is not present herein forms no part of the claimed design.

1 Claim, 3 Drawing Sheets



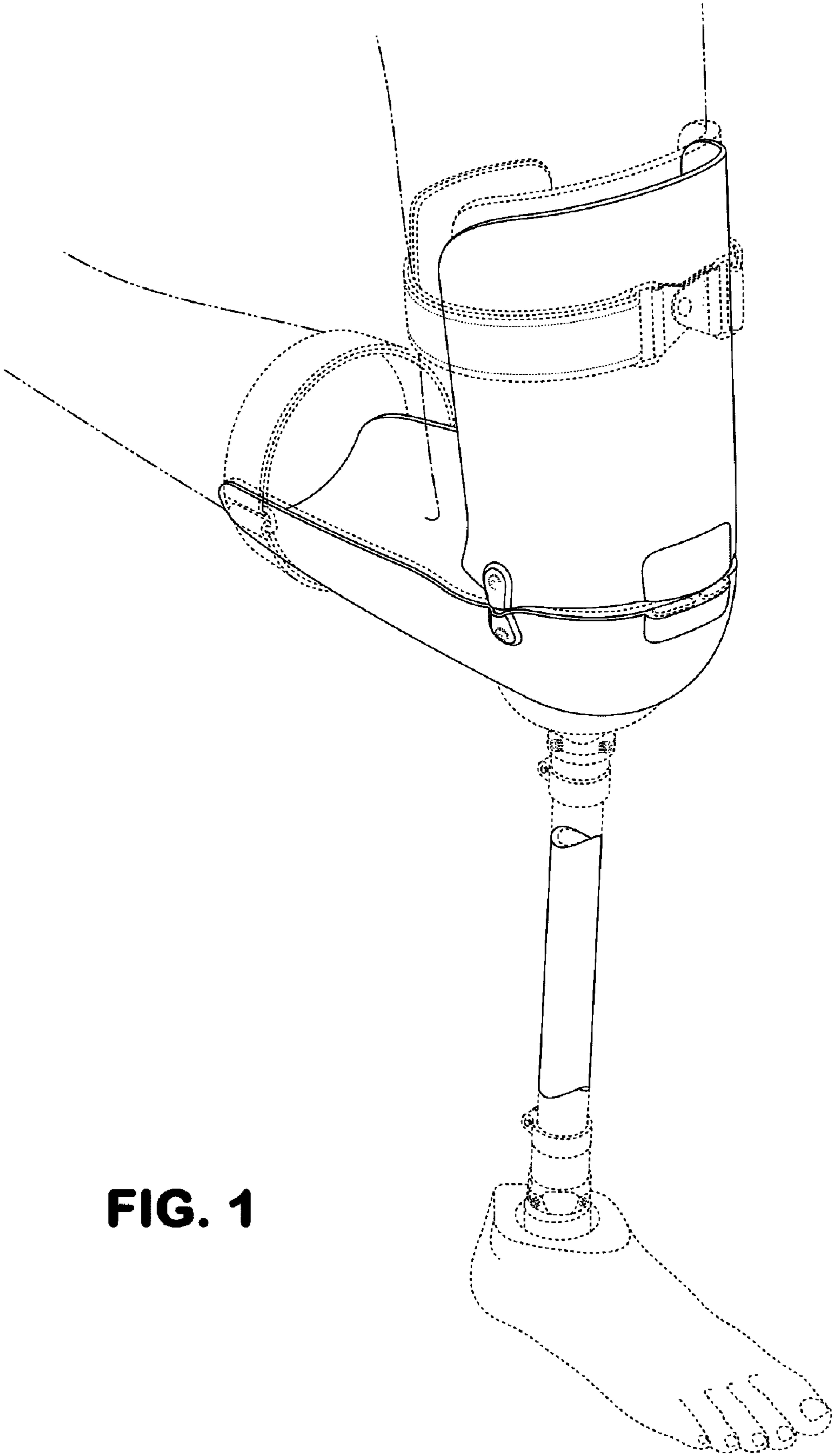


FIG. 1

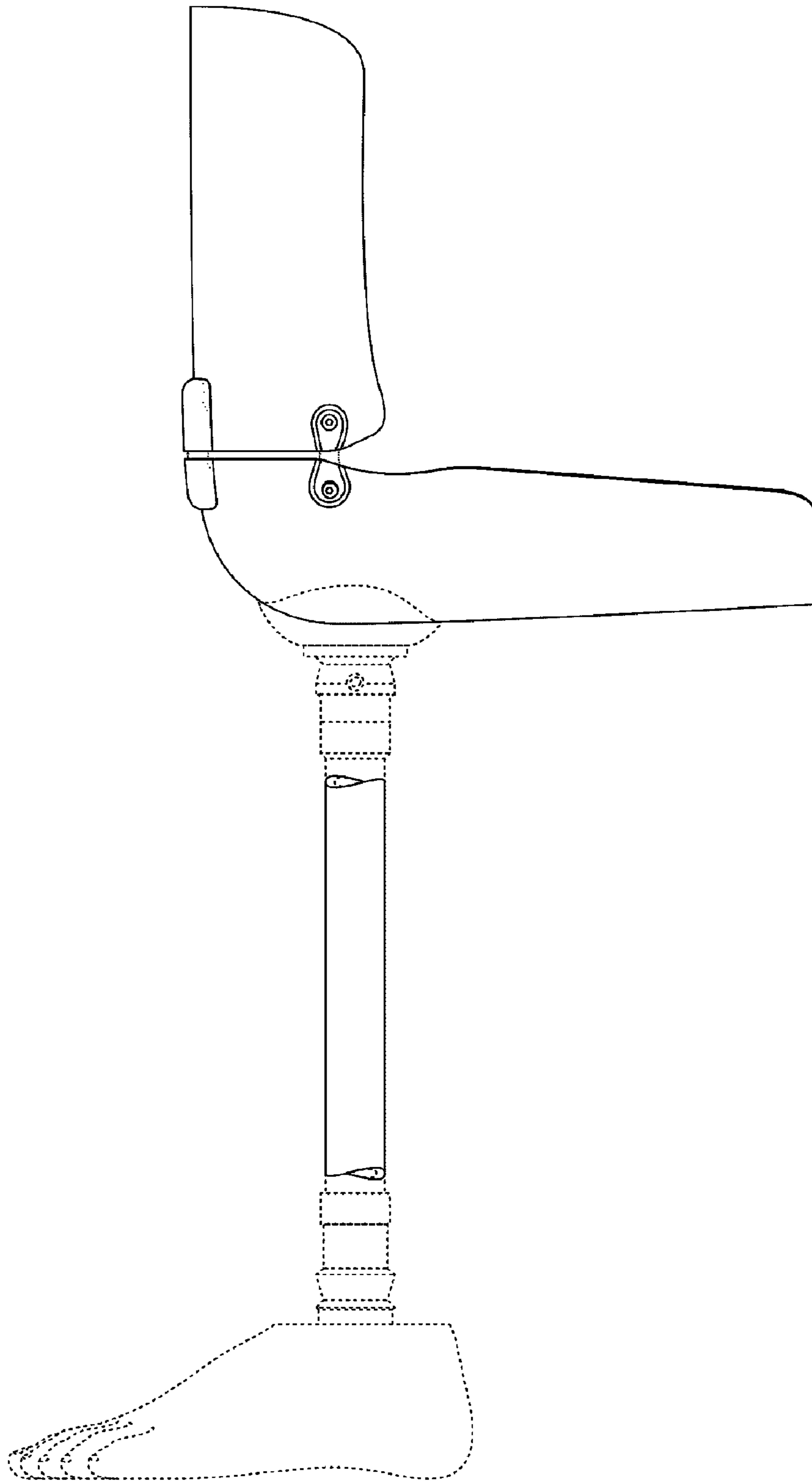


FIG. 2

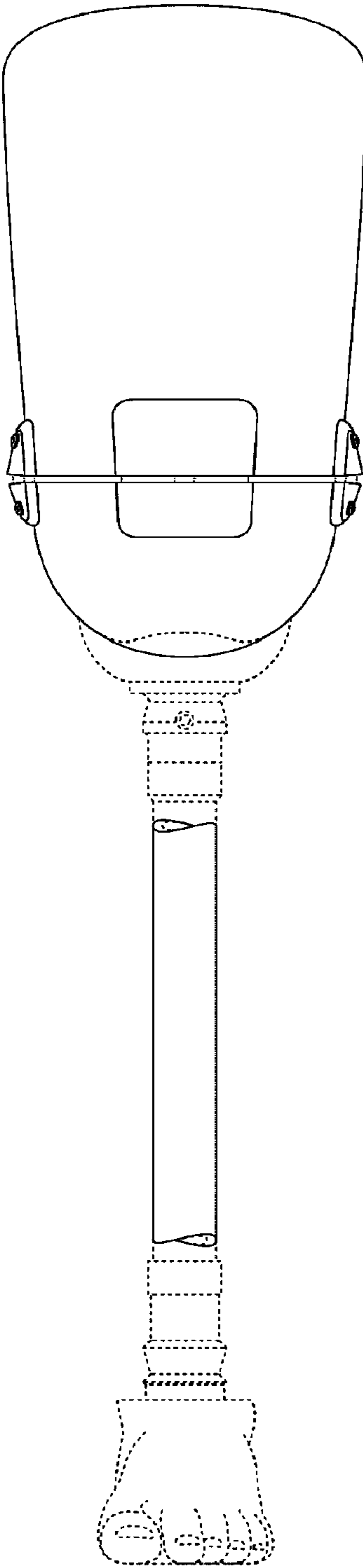


FIG. 3

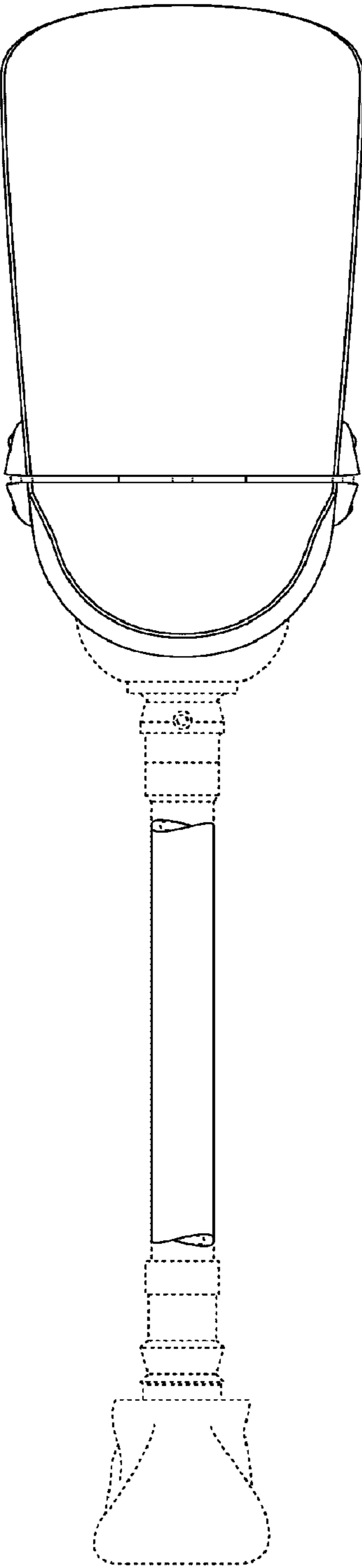


FIG. 4