



US00D649754S

(12) **United States Design Patent**
Callahan et al.

(10) **Patent No.:** **US D649,754 S**
(45) **Date of Patent:** **** Dec. 6, 2011**

(54) **PORTION OF A SHOE SOLE**

(75) Inventors: **Erica Callahan**, Medford, MA (US);
Matthew Montross, Middleboro, MA
(US); **Henry Hardigan**, Pawtucket, RI
(US); **Ricardo Vestuti**, Providence, RI
(US)

(73) Assignee: **Reebok International Ltd.**, Canton,
MA (US)

(**) Term: **14 Years**

(21) Appl. No.: **29/353,673**

(22) Filed: **Jan. 12, 2010**

(51) **LOC (9) Cl.** **02-04**

(52) **U.S. Cl.** **D2/953; D2/951; D2/954; D2/960**

(58) **Field of Classification Search** D2/902,
D2/908, 916, 918, 925, 946, 947, 951-954,
D2/956-962, 977; 36/3 B, 22 R, 24.5, 25 R,
36/28, 32 R, 34 R, 59 C, 103

See application file for complete search history.

(56) **References Cited**

U.S. PATENT DOCUMENTS

1,607,375	A	11/1926	Whipple	
3,444,632	A	5/1969	Hack et al.	
4,130,947	A *	12/1978	Denu	36/30 R
4,561,195	A	12/1985	Onoda et al.	
4,642,917	A *	2/1987	Ungar	36/59 C
4,798,010	A	1/1989	Sugiyama	
4,805,319	A	2/1989	Tonkel	
4,864,737	A	9/1989	Marrello	
D334,282	S *	3/1993	Greene	D2/953
5,319,866	A *	6/1994	Foley et al.	36/91
D360,065	S	7/1995	Werman	
D364,497	S *	11/1995	Schelling	D2/916
5,469,639	A *	11/1995	Sessa	36/28
D367,952	S *	3/1996	Shea	D2/908
D378,011	S *	2/1997	Lucas	D2/947

(Continued)

FOREIGN PATENT DOCUMENTS

JP 11000203 1/1999
(Continued)

OTHER PUBLICATIONS

K-Swiss, Inc. Online Store—Tubes Run 100A, http://www.kswiss.com/item/201.200/02316-162/Men/Footwear_Running/Tubes_Run_100_A/Wht_Blk_Sunorng.html (visited on Oct. 2, 2009), 2 pages.

(Continued)

Primary Examiner — T. Chase Nelson

(74) *Attorney, Agent, or Firm* — Sterne, Kessler, Goldstein & Fox P.L.L.C.

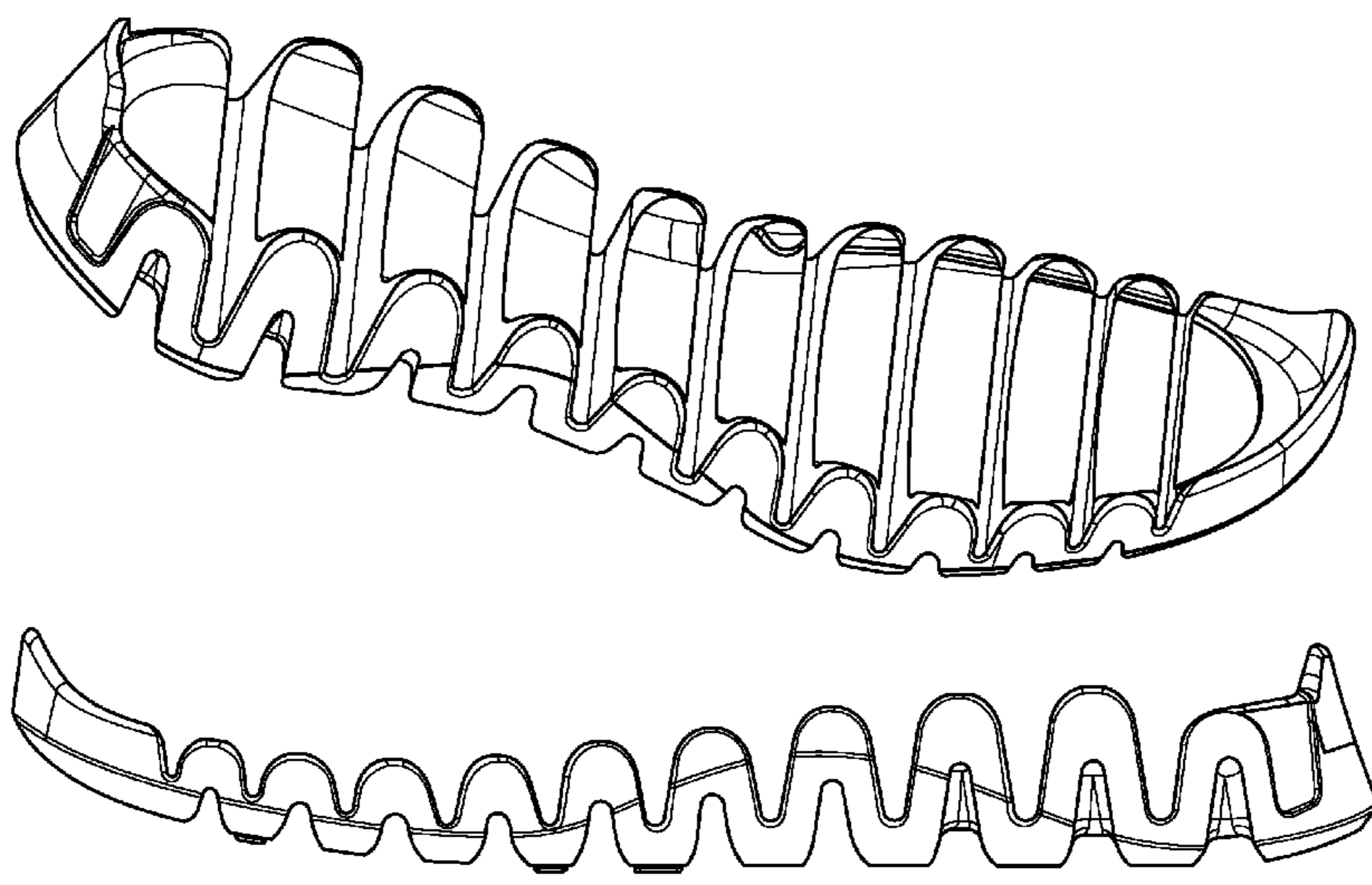
(57) **CLAIM**

The ornamental design for a portion of a shoe sole, as shown and described.

DESCRIPTION

FIG. 1 is a top perspective view of a portion of a shoe sole showing our new design;
FIG. 2 is a front view thereof;
FIG. 3 is a rear view thereof;
FIG. 4 is a side view thereof;
FIG. 5 is another side view thereof;
FIG. 6 is a top plan view thereof;
FIG. 7 is a bottom view thereof;
FIG. 8 is a top perspective view of another embodiment of a portion of a shoe sole showing our new design;
FIG. 9 is a front view thereof;
FIG. 10 is a rear view thereof;
FIG. 11 is a side view thereof;
FIG. 12 is another side view thereof;
FIG. 13 is a top plan view thereof; and,
FIG. 14 is a bottom view thereof.
The broken lines and areas within them depict portions of the shoe sole that form no part of the claimed design.

1 Claim, 8 Drawing Sheets



US D649,754 S

Page 2

U.S. PATENT DOCUMENTS

D379,259 S * 5/1997 Kayano D2/953
D385,987 S * 11/1997 Bramani D2/959
D390,346 S * 2/1998 Loveder D2/953
5,713,140 A 2/1998 Baggenstoss
D395,739 S 7/1998 Mervar
D396,947 S * 8/1998 Serna D2/959
D397,847 S * 9/1998 Hudson D2/947
5,799,415 A 9/1998 Kenji et al.
5,987,782 A 11/1999 Bramani
D420,497 S * 2/2000 Panella D2/957
D424,287 S * 5/2000 Edwards D2/957
6,079,125 A * 6/2000 Quellais et al. 36/25 R
6,108,943 A * 8/2000 Hudson et al. 36/102
6,138,385 A 10/2000 Jungkind et al.
6,205,681 B1 3/2001 Kita
6,219,939 B1 4/2001 Kita et al.
6,219,940 B1 4/2001 Kita
6,226,896 B1 * 5/2001 Friton 36/28
6,289,608 B1 9/2001 Kita et al.
6,295,741 B1 10/2001 Kita
6,311,414 B1 11/2001 Kita
6,314,664 B1 11/2001 Kita et al.
6,338,206 B1 1/2002 Kita
6,389,713 B1 5/2002 Kita
6,393,732 B1 5/2002 Kita
6,401,365 B2 6/2002 Kita et al.
6,516,539 B2 * 2/2003 Nishiwaki et al. 36/28
6,557,270 B2 5/2003 Nakano et al.
6,606,804 B2 8/2003 Kaneko et al.
6,625,905 B2 9/2003 Kita
6,647,645 B2 11/2003 Kita
6,675,500 B1 1/2004 Cadamuro
6,711,834 B1 3/2004 Kita
D489,881 S * 5/2004 Recchi D2/954
6,754,981 B1 6/2004 Edwards
6,810,605 B2 11/2004 Nakano et al.
6,964,119 B2 11/2005 Weaver, III
D523,614 S * 6/2006 Mitchell D2/960
7,055,198 B2 6/2006 Cadamuro et al.
7,089,152 B2 8/2006 Oda et al.
7,162,815 B2 1/2007 Miyauchi et al.
D537,611 S * 3/2007 Matis et al. D2/953
D546,532 S * 7/2007 Matis et al. D2/953
7,337,559 B2 * 3/2008 Russell 36/28
D569,594 S * 5/2008 Horne et al. D2/958
D569,595 S * 5/2008 Le D2/960
D570,078 S 6/2008 Davis
D574,581 S * 8/2008 Cooper D2/902
D574,583 S * 8/2008 St-Louis et al. D2/956
D574,602 S * 8/2008 Grenet D2/977
D574,604 S * 8/2008 McMillan D2/977
D586,991 S * 2/2009 Fuerst D2/957
D592,383 S 5/2009 Wawrousek
D592,847 S * 5/2009 Rosenbaum D2/957
D594,195 S * 6/2009 Nakano D2/957
7,549,236 B2 * 6/2009 Dillon et al. 36/30 R
D596,386 S * 7/2009 Brambilla D2/953
7,556,846 B2 * 7/2009 Dojan et al. 428/35.4
D599,986 S * 9/2009 Reiss D2/947
D601,334 S * 10/2009 Werman D2/959

D605,838 S * 12/2009 Foust D2/957
D607,193 S * 1/2010 Recchi D2/959
D607,633 S * 1/2010 Mongelli D2/947
D609,441 S 2/2010 Wawrousek
D615,741 S * 5/2010 Matis et al. D2/957
D617,085 S * 6/2010 Recchi et al. D2/957
7,762,008 B1 * 7/2010 Clark et al. 36/3 B
D622,043 S * 8/2010 Hauglin D2/957
D624,293 S * 9/2010 Recchi et al. D2/959
7,946,058 B2 * 5/2011 Johnson et al. 36/25 R
D642,776 S * 8/2011 Raysse D2/946
D643,194 S * 8/2011 Raysse D2/951
D644,420 S * 9/2011 Christopherson D2/946
D644,824 S * 9/2011 Leleu D2/946
2001/0008053 A1 7/2001 Belli
2003/0101621 A1 * 6/2003 Nishiwaki et al. 36/30 R
2004/0154189 A1 8/2004 Wang
2006/0137227 A1 6/2006 Kita et al.
2006/0283045 A1 12/2006 Kita et al.
2007/0209230 A1 * 9/2007 Dillon et al. 36/25 R
2008/0052965 A1 3/2008 Sato
2008/0066347 A1 3/2008 Suzuki
2008/0229617 A1 * 9/2008 Johnson et al. 36/102
2010/0175280 A1 * 7/2010 Rinehart et al. 36/59 C
2010/0192420 A1 * 8/2010 Favraud 36/3 B
2010/0325917 A1 * 12/2010 Cass et al. 36/88
2011/0016746 A1 * 1/2011 Callahan et al. 36/28
2011/0016749 A1 * 1/2011 Callahan et al. 36/103

FOREIGN PATENT DOCUMENTS

JP	11235202	8/1999
JP	2001275711	10/2001
JP	2002336003	11/2002
JP	2003339405	12/2003
JP	2004173884	6/2004
JP	2004267516	9/2004
JP	2005253578	9/2005

OTHER PUBLICATIONS

Adidas Q2 2007 Footwear Catalog, p. 5, showing the T 7 ATS shoe, and p. 122, showing the J S3 W shoe.
U.S. Appl. No. 12/506,957, Erica Callahan, "Article of Footwear Having an Undulating Sole", filed Jul. 21, 2009.
U.S. Appl. No. 29/342,098, Erica Callahan, "Shoe Sole and Portion of a Shoe Sole", filed Aug. 8, 2009.
U.S. Appl. No. 29/345,964, Christopher S. Pope, "Shoe Sole and Portion of a Shoe", filed Oct. 23, 2009.
U.S. Appl. No. 12/748,246, Matthew Boudreau, "Article of Footwear With Support Element", filed Mar. 26, 2010.
U.S. Appl. No. 29/362,605, Ricardo Vestuti, "Shoe and Portion of a Shoe", filed May 27, 2010.
U.S. Appl. No. 12/832,464, Erica Callahan, "Article of Footwear and Methods of Making Same", filed Jul. 8, 2010.
U.S. Appl. No. 29/375,659, Toby Birkinhead, "Portion of a Shoe", filed Sep. 24, 2010.
U.S. Appl. No. 12/980,961, Brian Christensen, "Sole and Article of Footwear", filed Dec. 29, 2010.

* cited by examiner

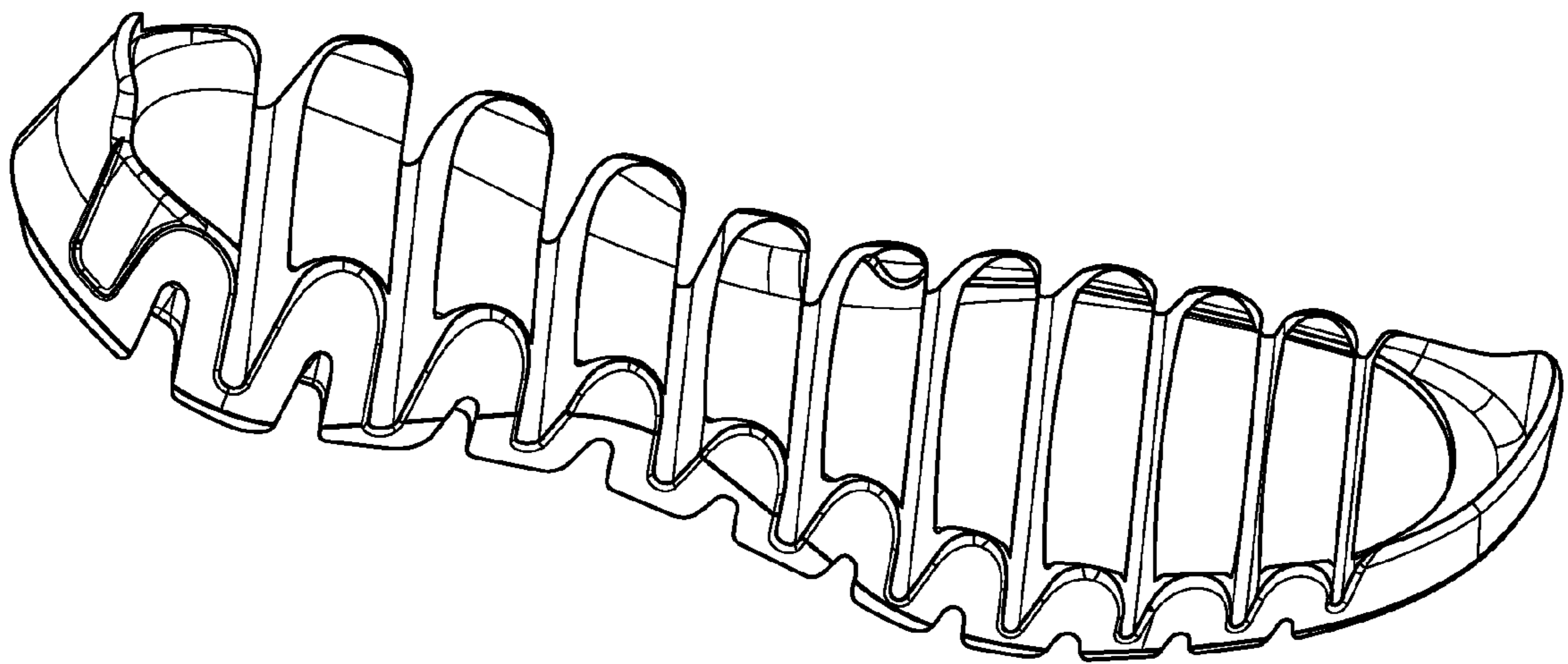


FIG. 1

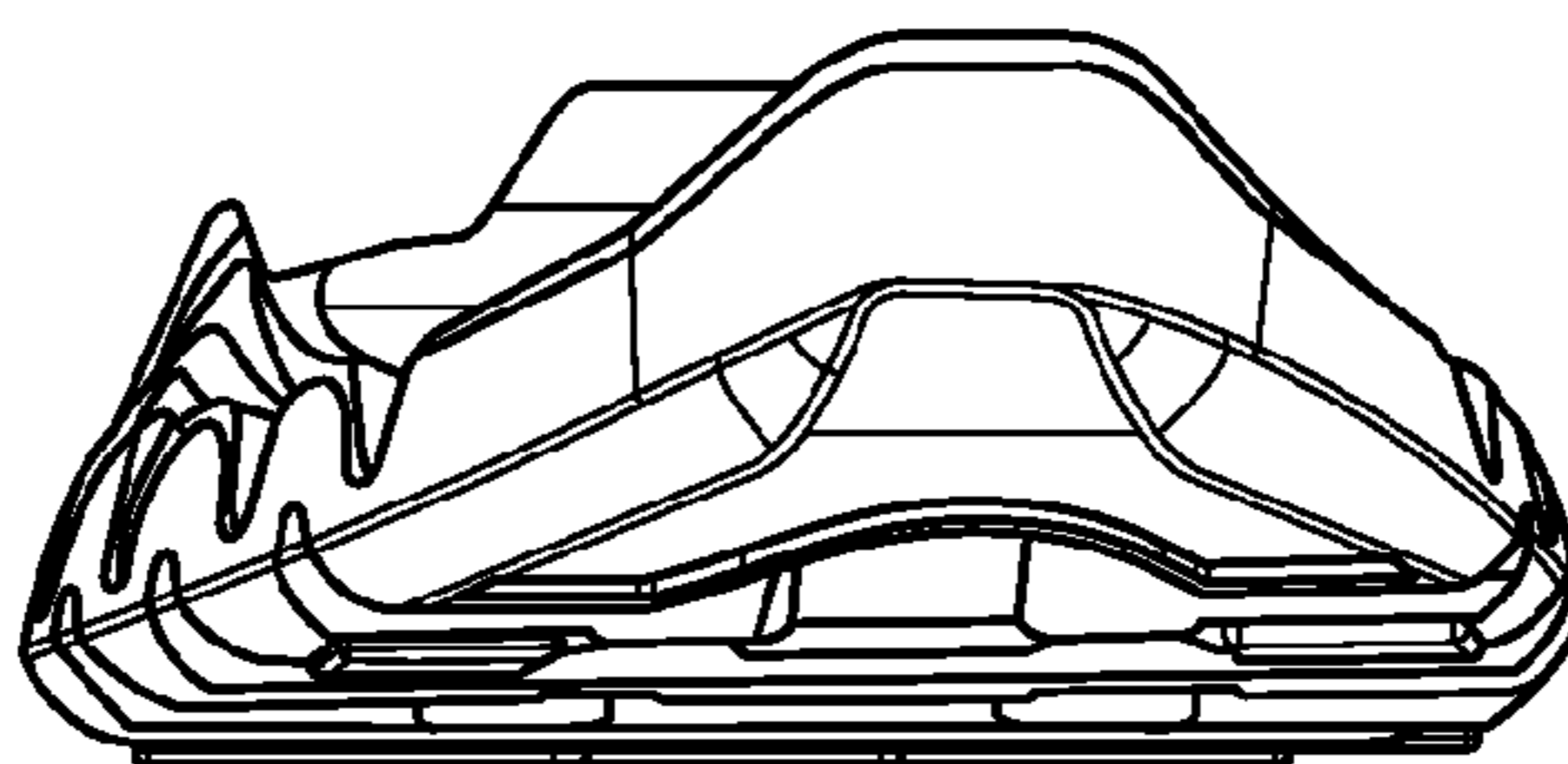


FIG. 2

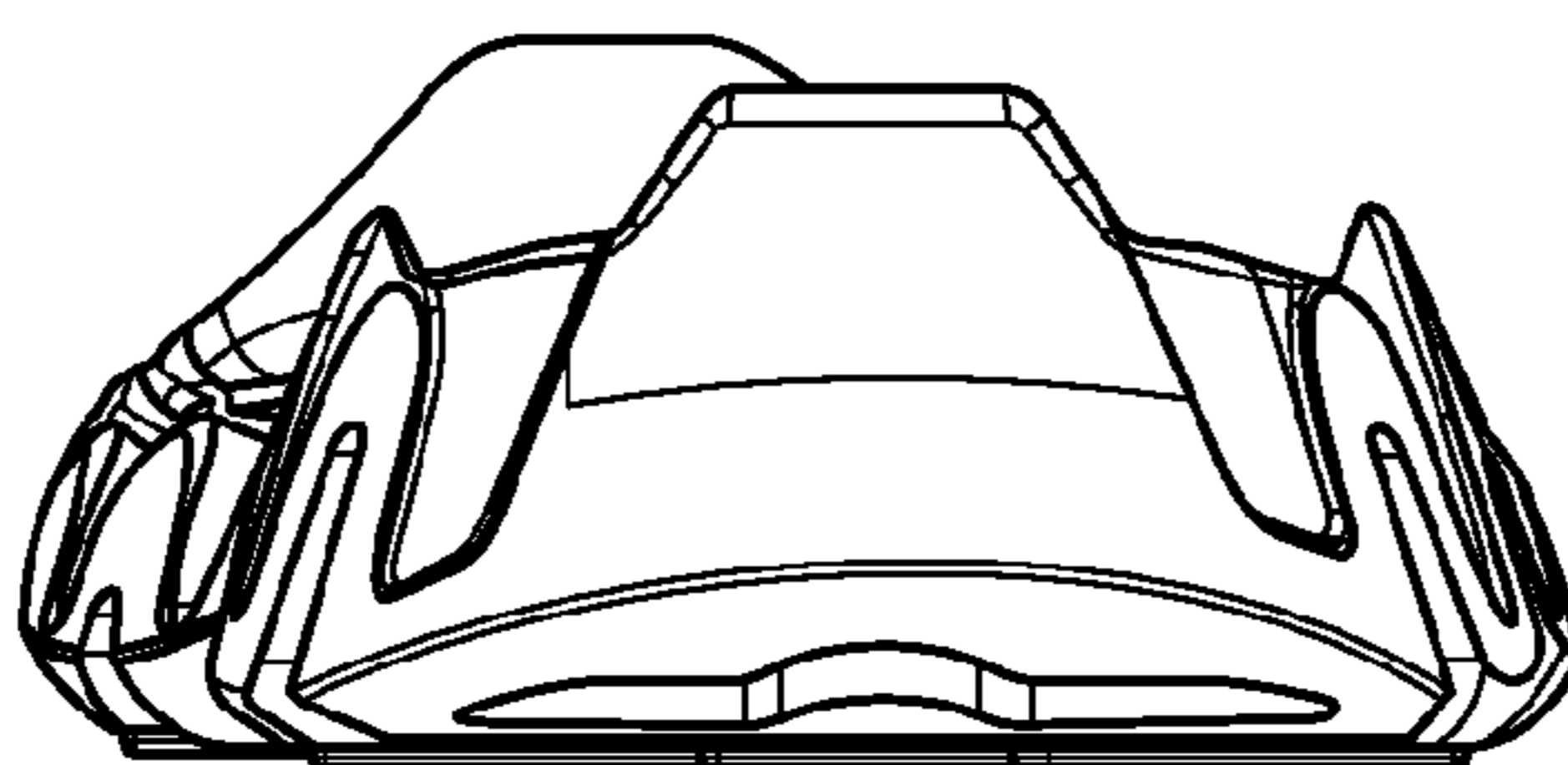


FIG. 3

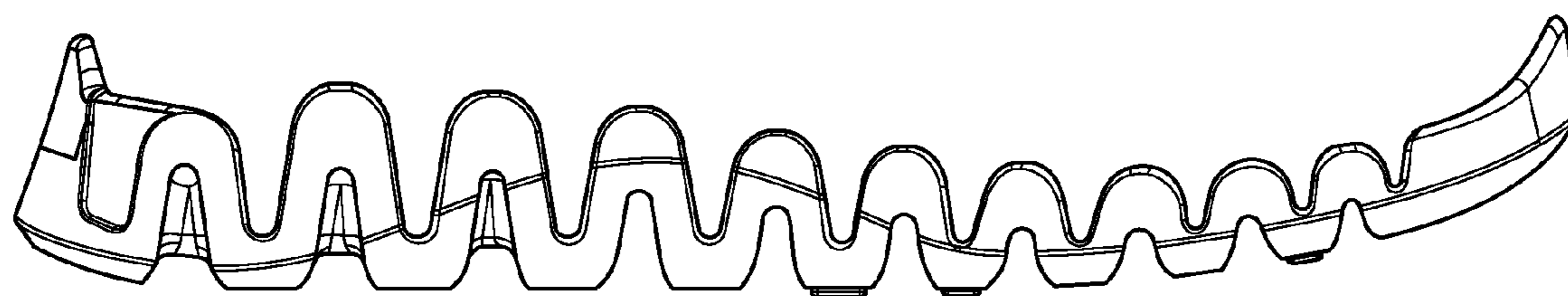


FIG. 4

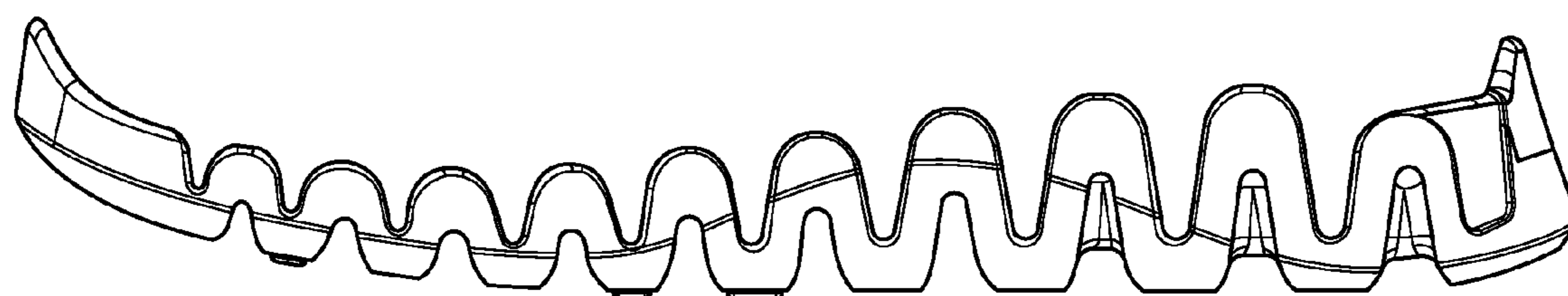


FIG. 5

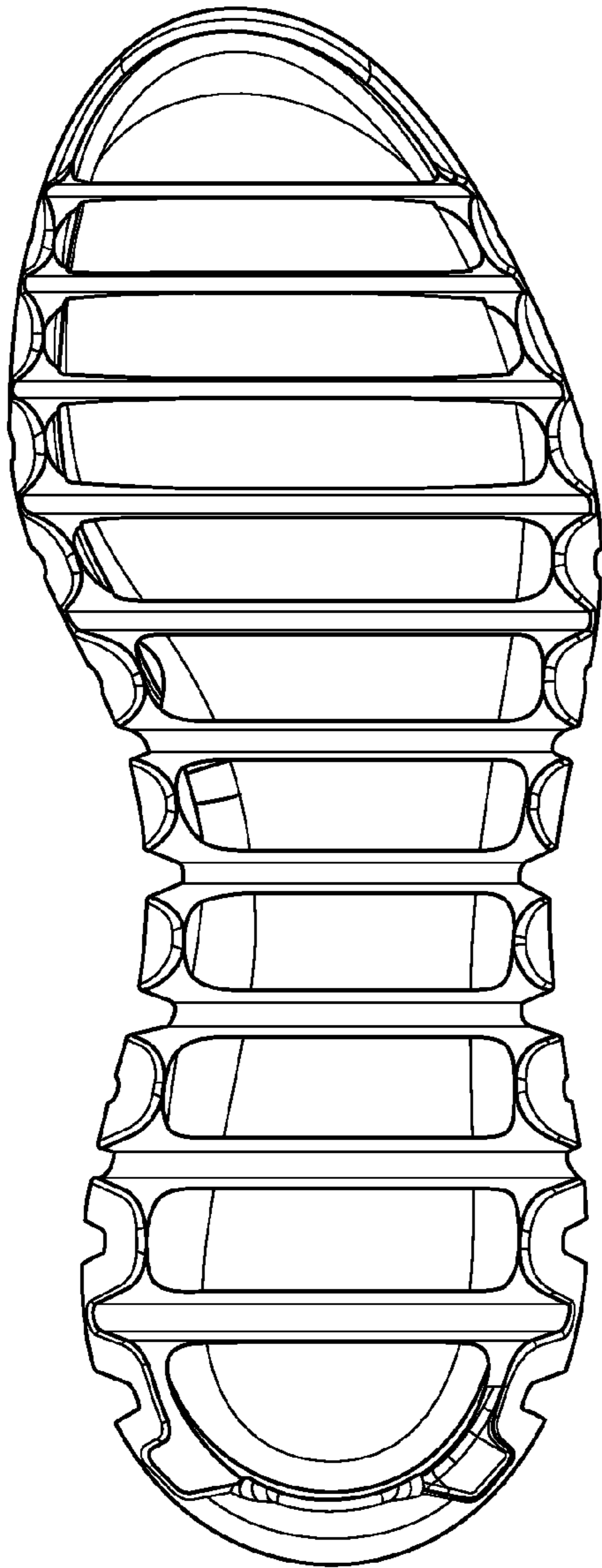


FIG. 6

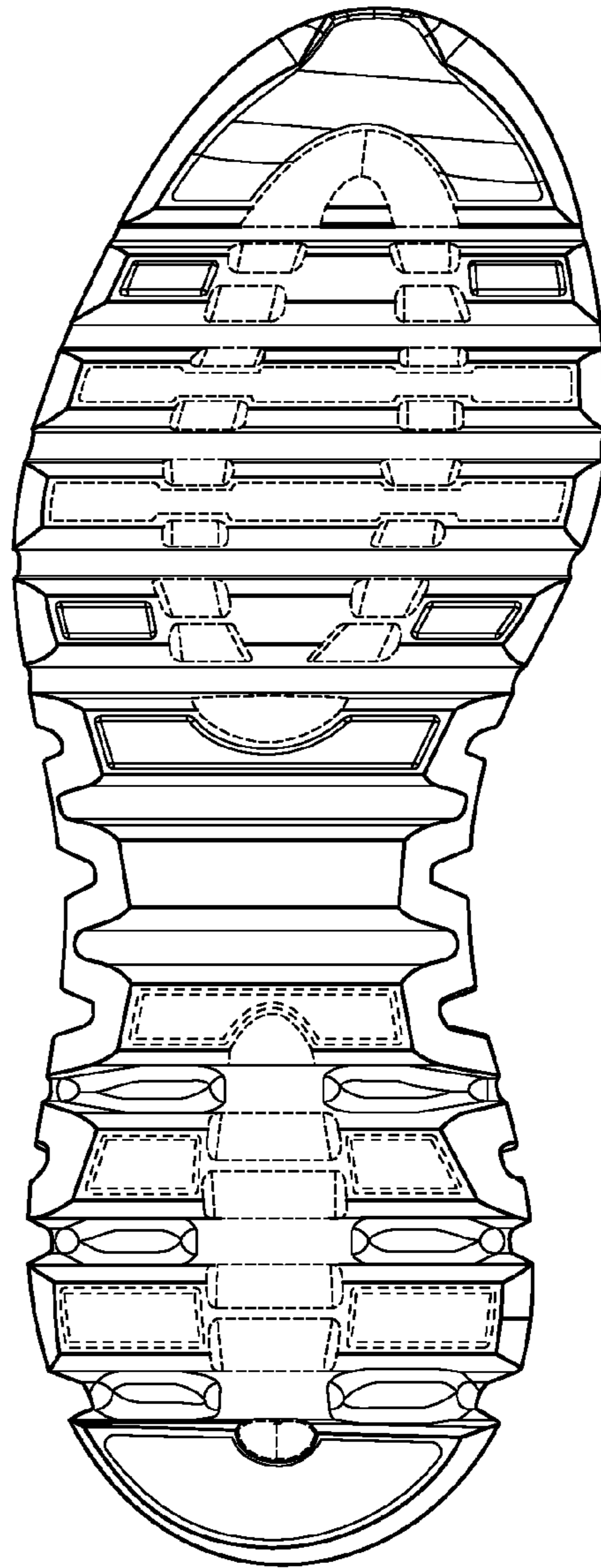


FIG. 7

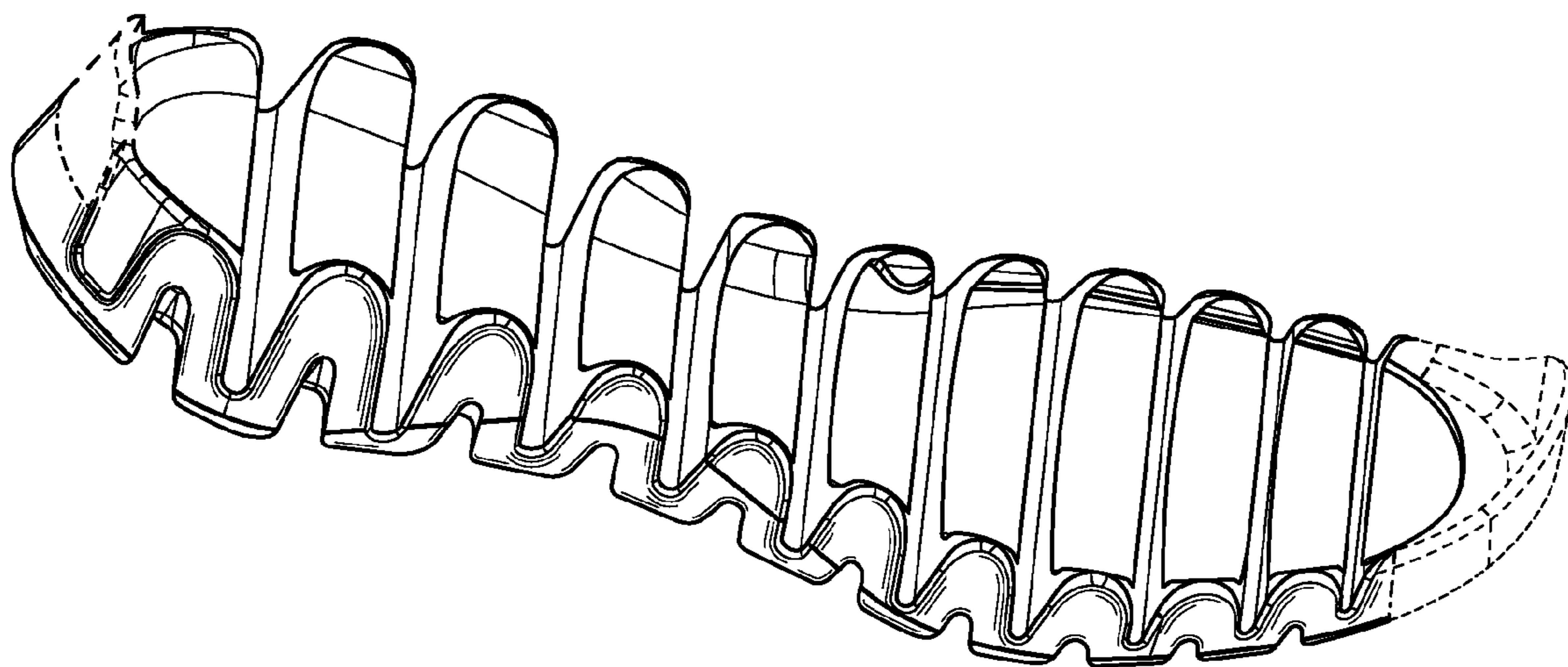


FIG. 8

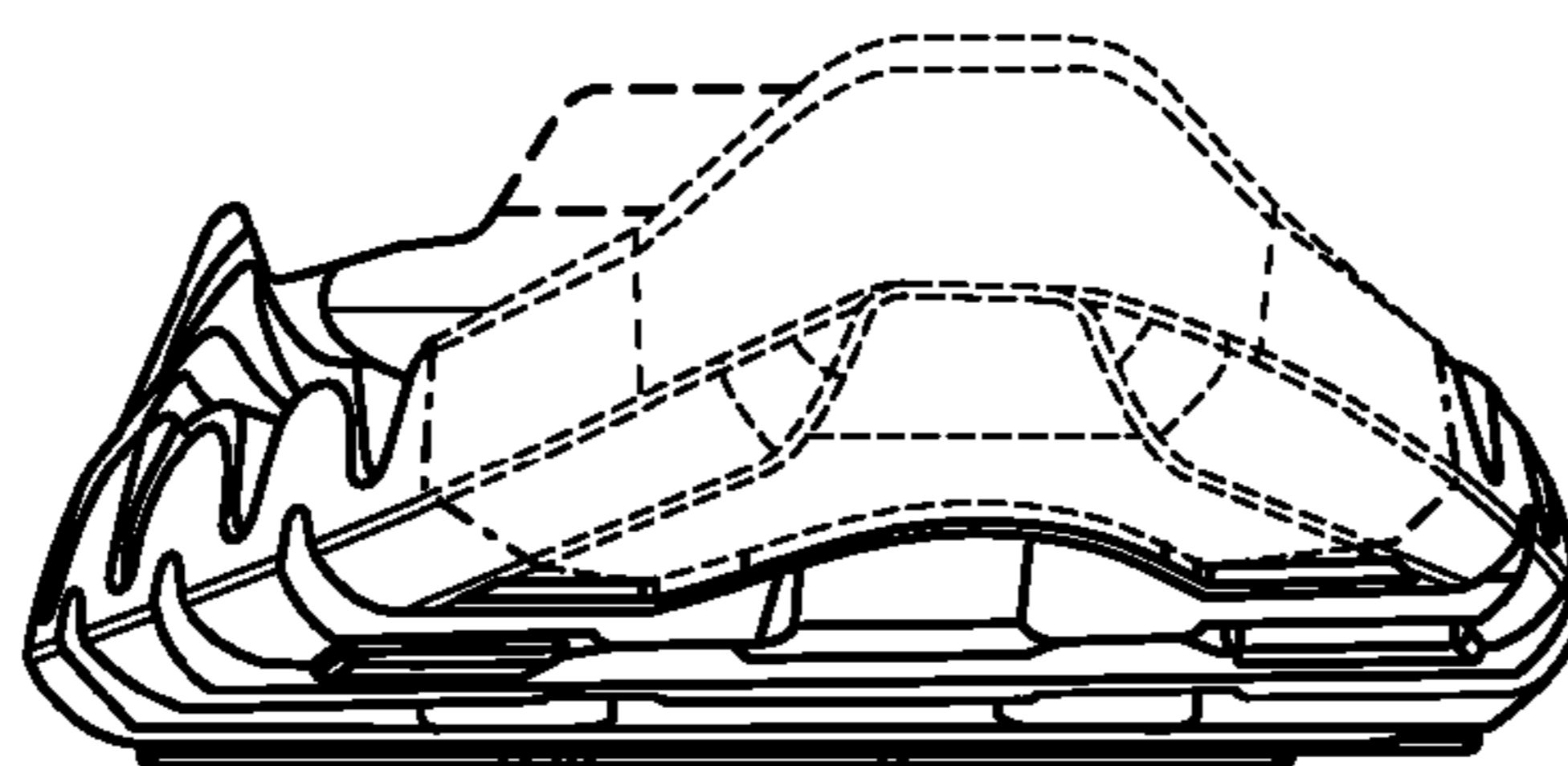


FIG. 9

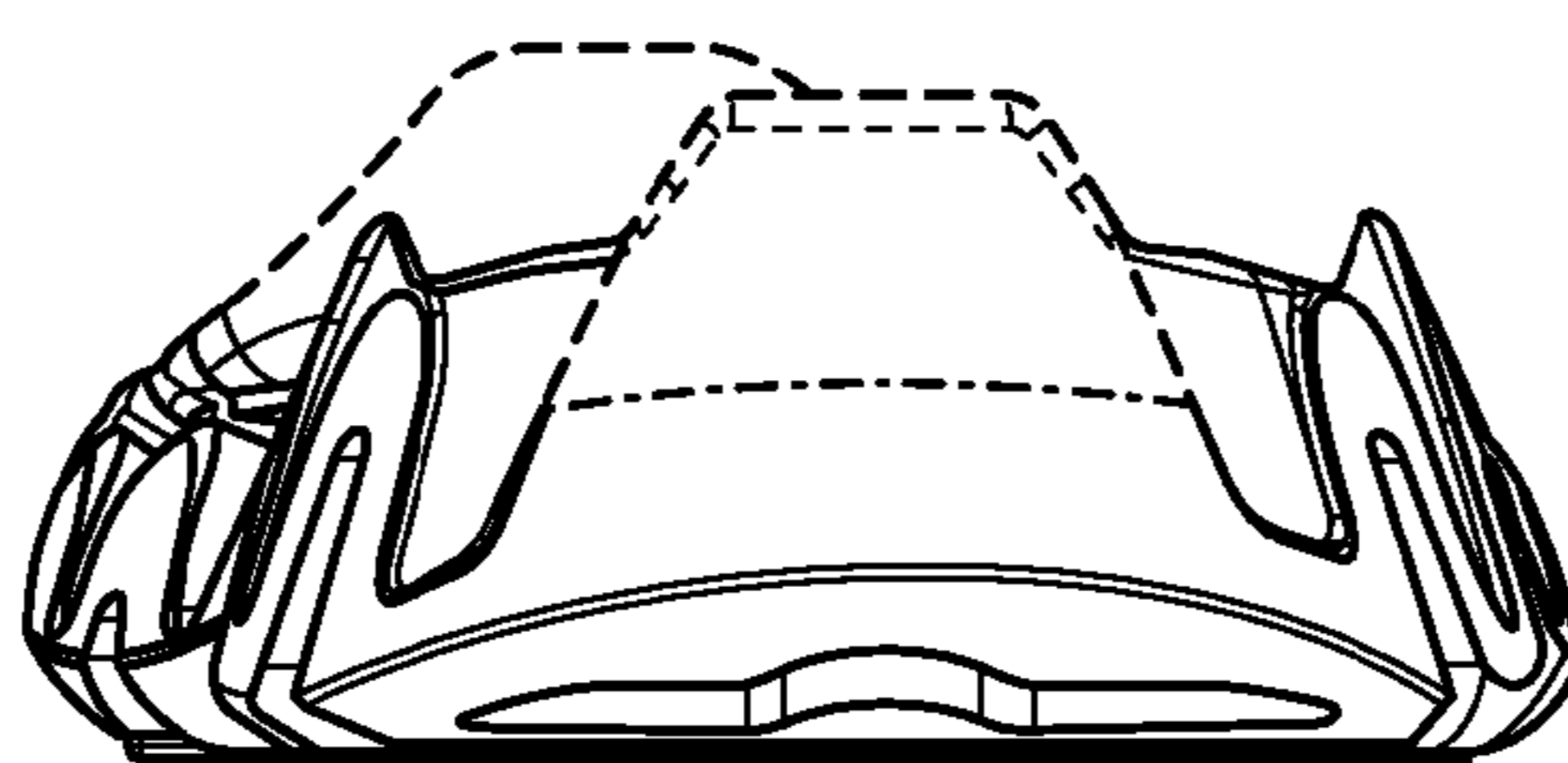


FIG. 10

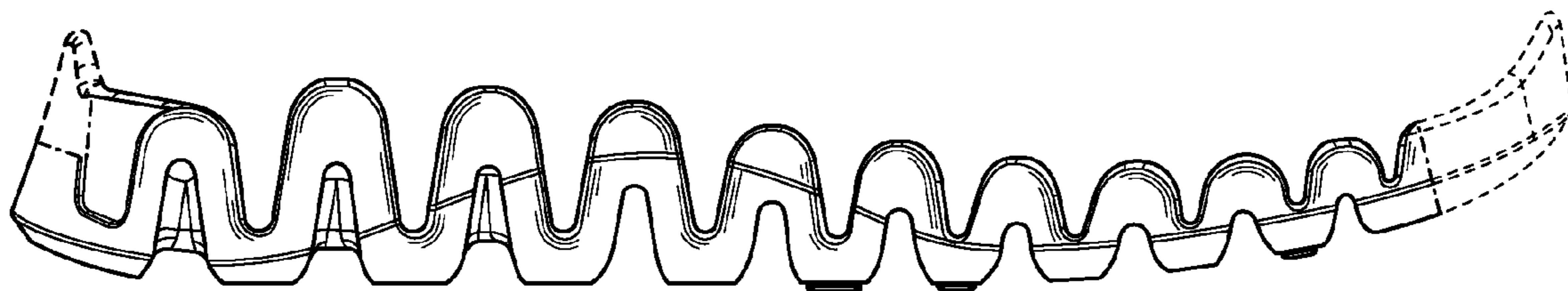


FIG. 11



FIG. 12

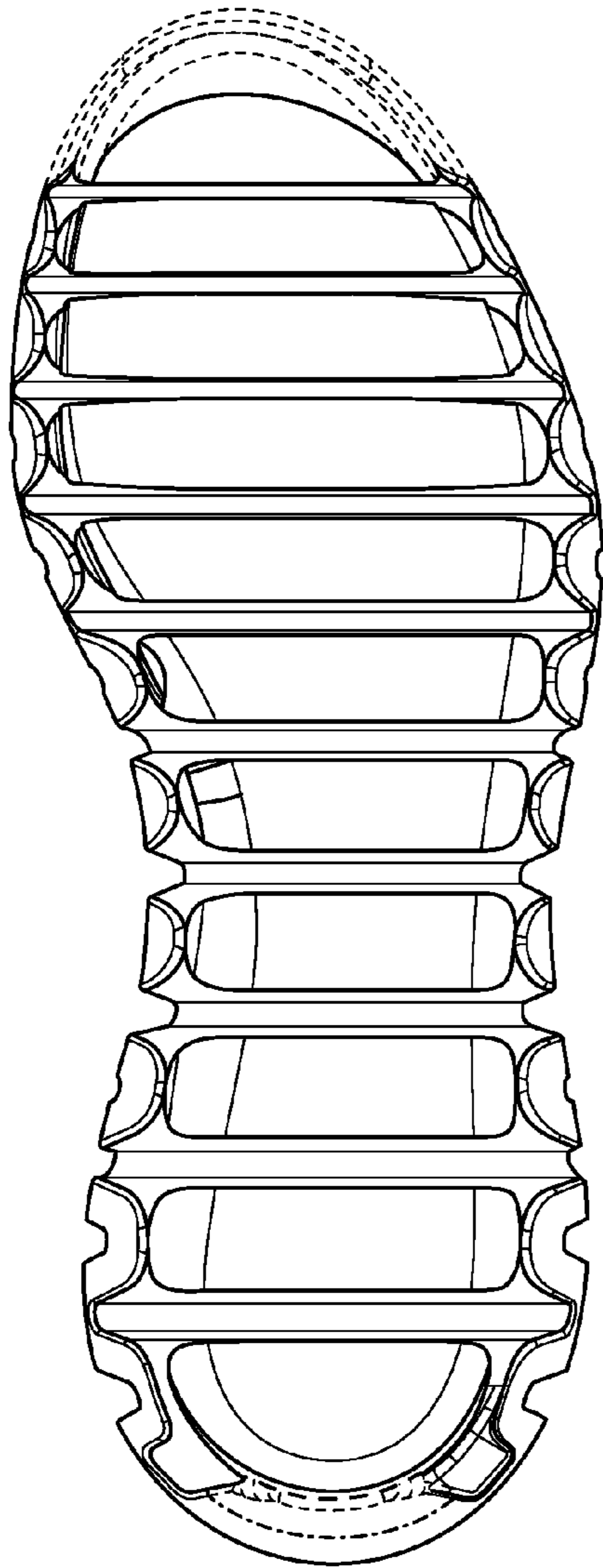


FIG. 13

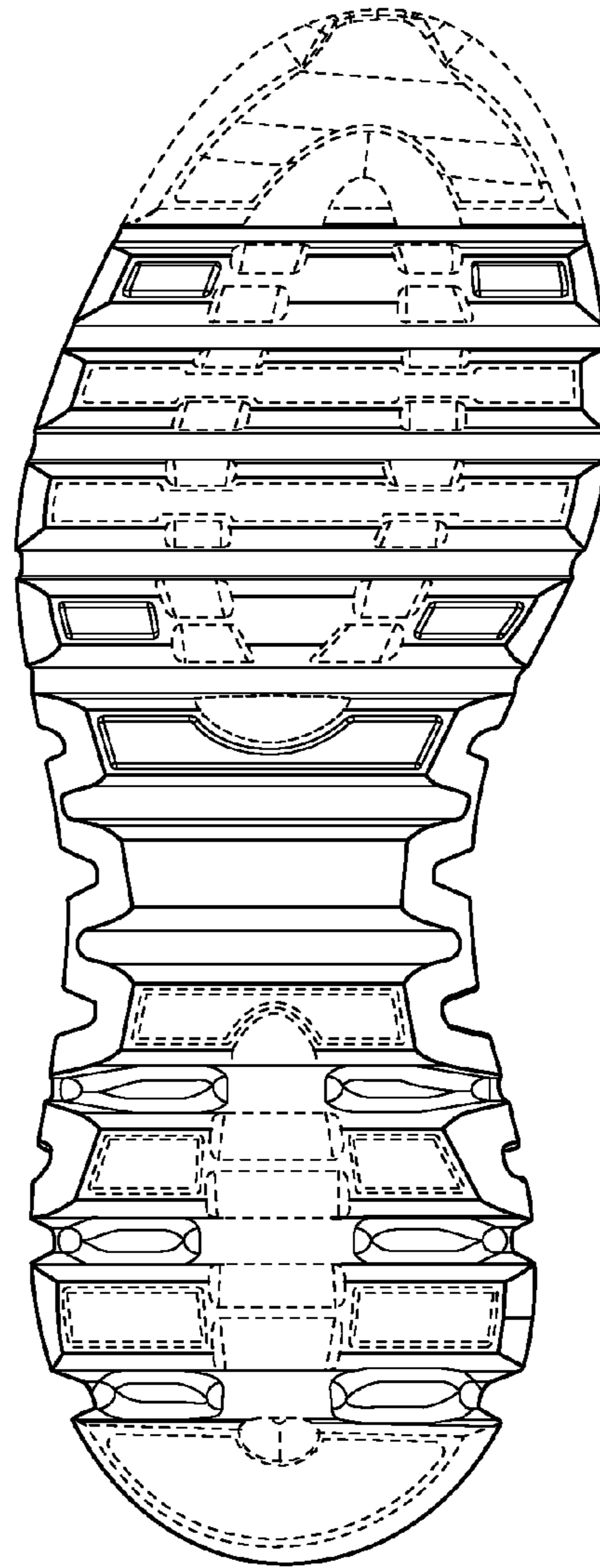


FIG. 14