

US00D649749S

(12) **United States Design Patent**  
**Kampff**

(10) **Patent No.:** **US D649,749 S**

(45) **Date of Patent:** **\*\* Dec. 6, 2011**

(54) **BOOT**

(75) **Inventor:** **Patrick Kampff**, Sao Paulo (BR)

(73) **Assignee:** **Alpargatas S.A.**, Sao Paulo (BR)

(\*\*) **Term:** **14 Years**

(21) **Appl. No.:** **29/392,796**

(22) **Filed:** **May 26, 2011**

(30) **Foreign Application Priority Data**

Dec. 9, 2010 (BR) ..... D17005125-9

(51) **LOC (9) Cl.** ..... **02-04**

(52) **U.S. Cl.** ..... **D2/911**

(58) **Field of Classification Search** ..... D2/896,  
D2/902, 906-908, 923, 943, 944, 946, 953,  
D2/959, 969; 36/45, 50.1, 83, 113, 114,  
36/127, 77 R, 77 M  
See application file for complete search history.

(56) **References Cited**

**U.S. PATENT DOCUMENTS**

4,813,158 A \* 3/1989 Brown ..... 36/114

4,858,339 A \* 8/1989 Hayafuchi et al. .... 36/45

D393,939 S *	5/1998	Greene	.....	D2/972
D438,697 S *	3/2001	Matis et al.	.....	D2/969
D456,985 S *	5/2002	Clegg	.....	D2/972
D457,296 S *	5/2002	Burt	.....	D2/969
D458,015 S *	6/2002	Dolan et al.	.....	D2/972
6,401,364 B1 *	6/2002	Burt	.....	36/3 A
D460,251 S *	7/2002	Dolan	.....	D2/972
D579,186 S *	10/2008	Mervar et al.	.....	D2/969

\* cited by examiner

*Primary Examiner* — Rob M Spear

*Assistant Examiner* — Rashida C McCoy

(74) *Attorney, Agent, or Firm* — R. Blake Johnston, Esq.;  
DLA Piper US LLP

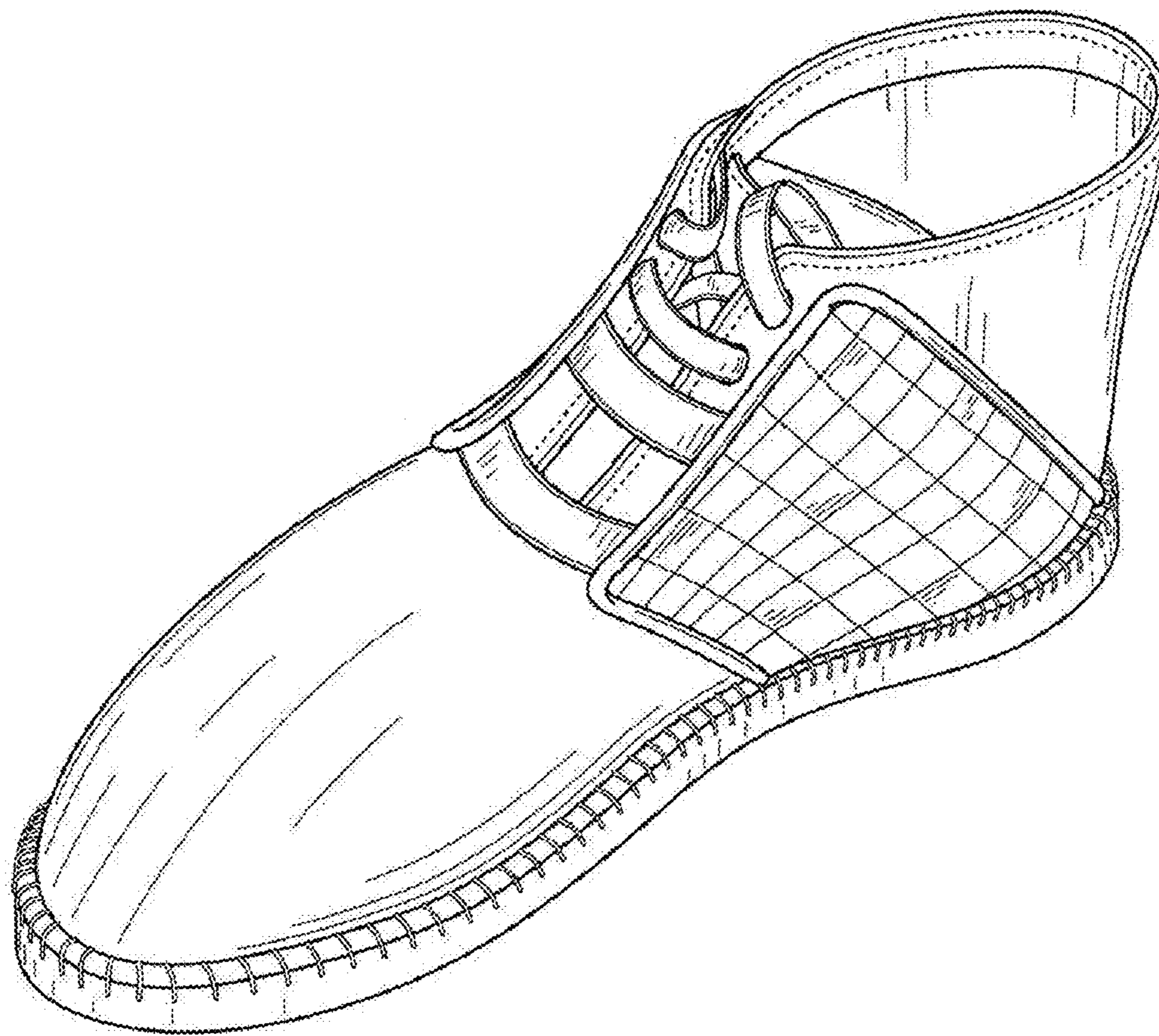
(57) **CLAIM**

The ornamental design for a boot, as shown.

**DESCRIPTION**

FIG. 1 is a perspective view of the boot;  
FIG. 2 is a left side elevational view of the boot;  
FIG. 3 is a right side elevational view of the boot;  
FIG. 4 is a front elevational view of the boot;  
FIG. 5 is a rear elevational view of the boot;  
FIG. 6 is a bottom plan view of the boot; and,  
FIG. 7 is a top plan view of the boot.

**1 Claim, 4 Drawing Sheets**



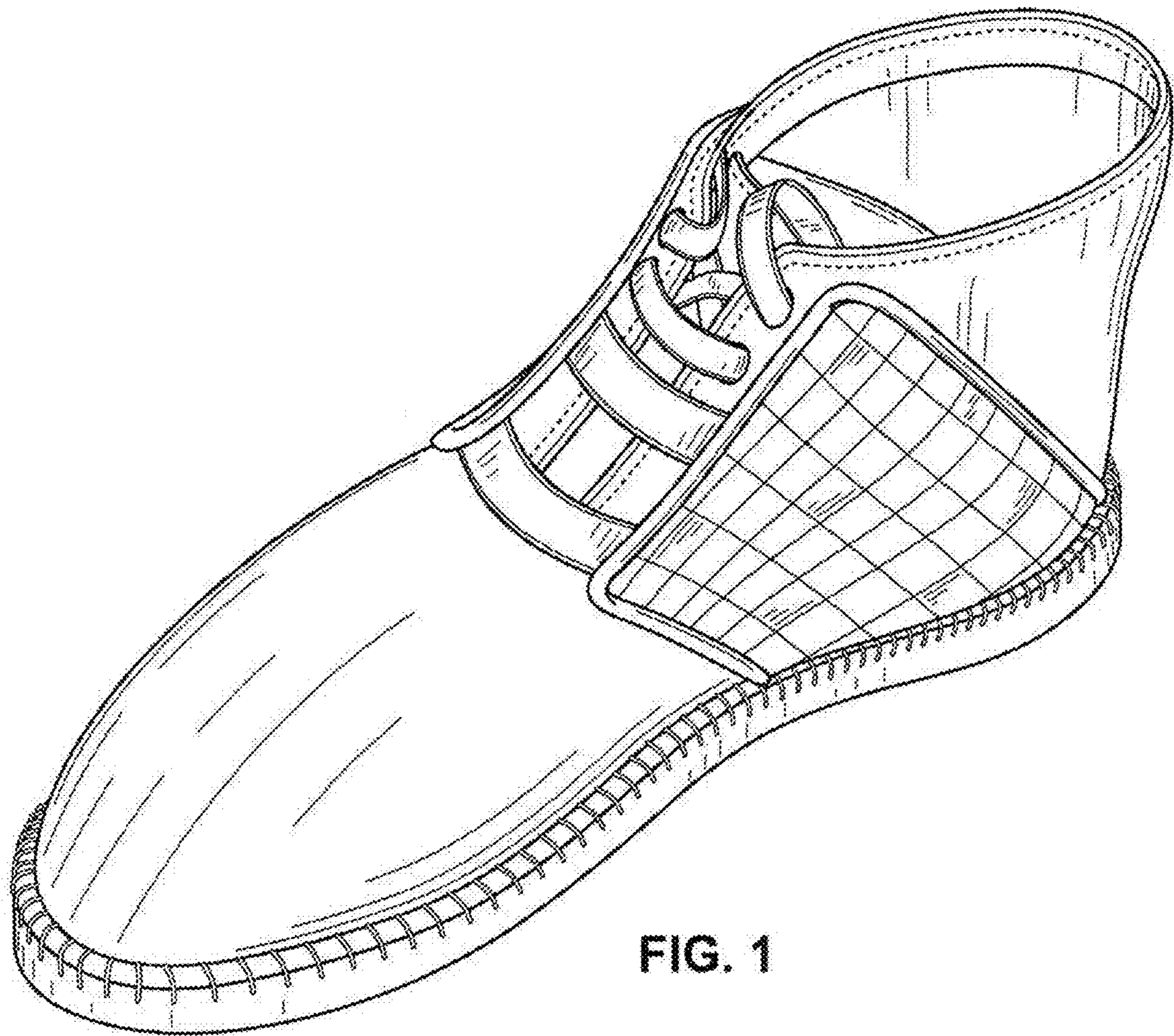


FIG. 1



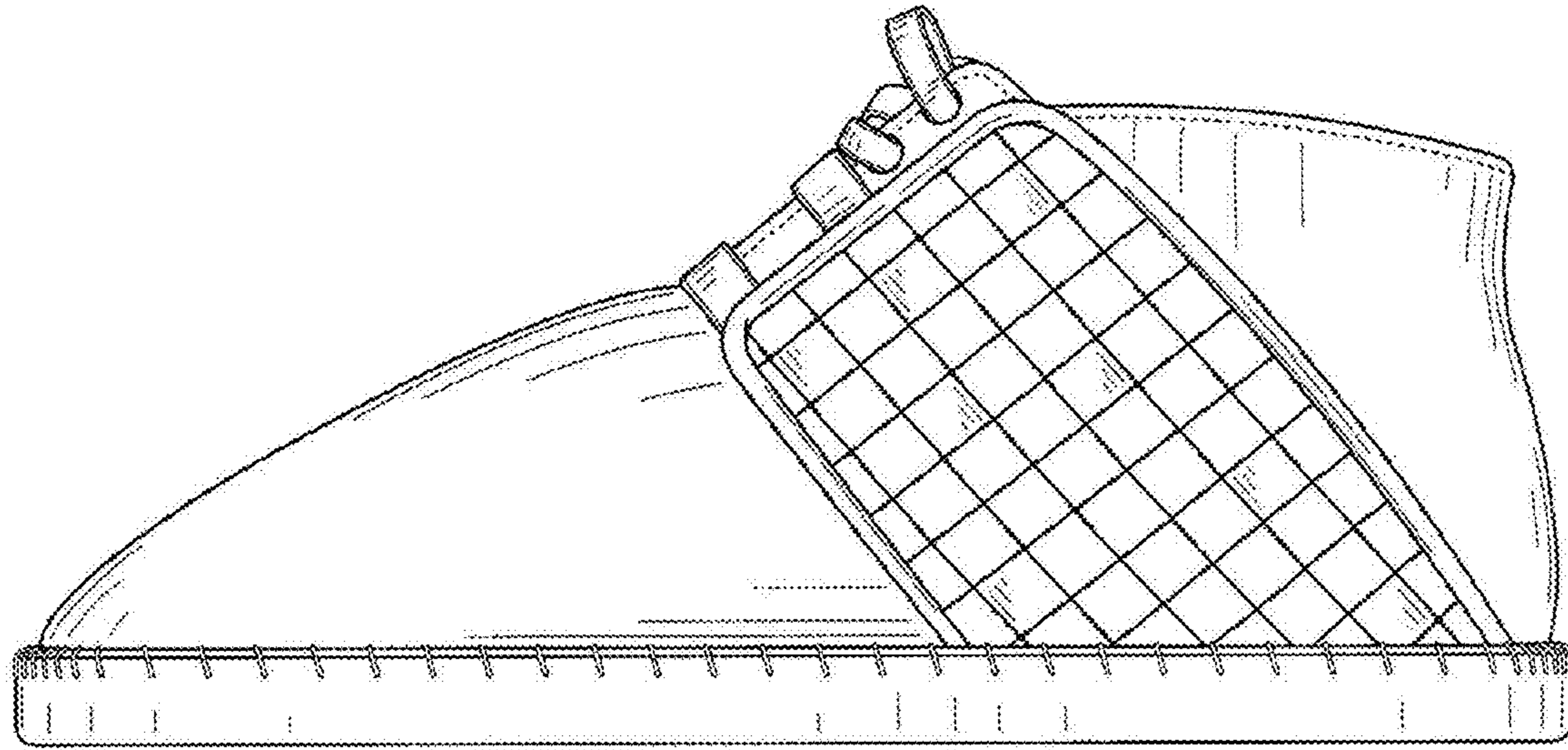


FIG. 2

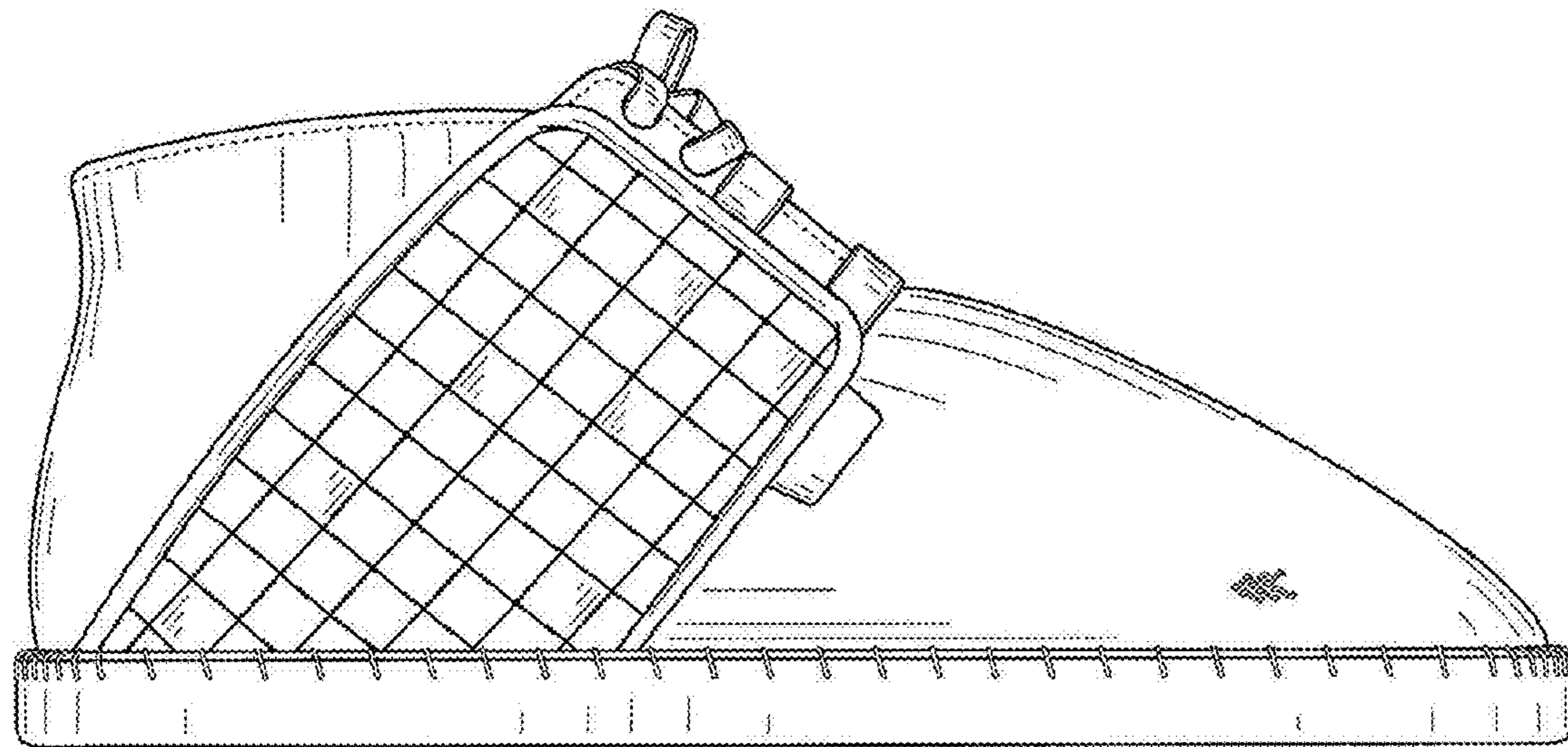


FIG. 3

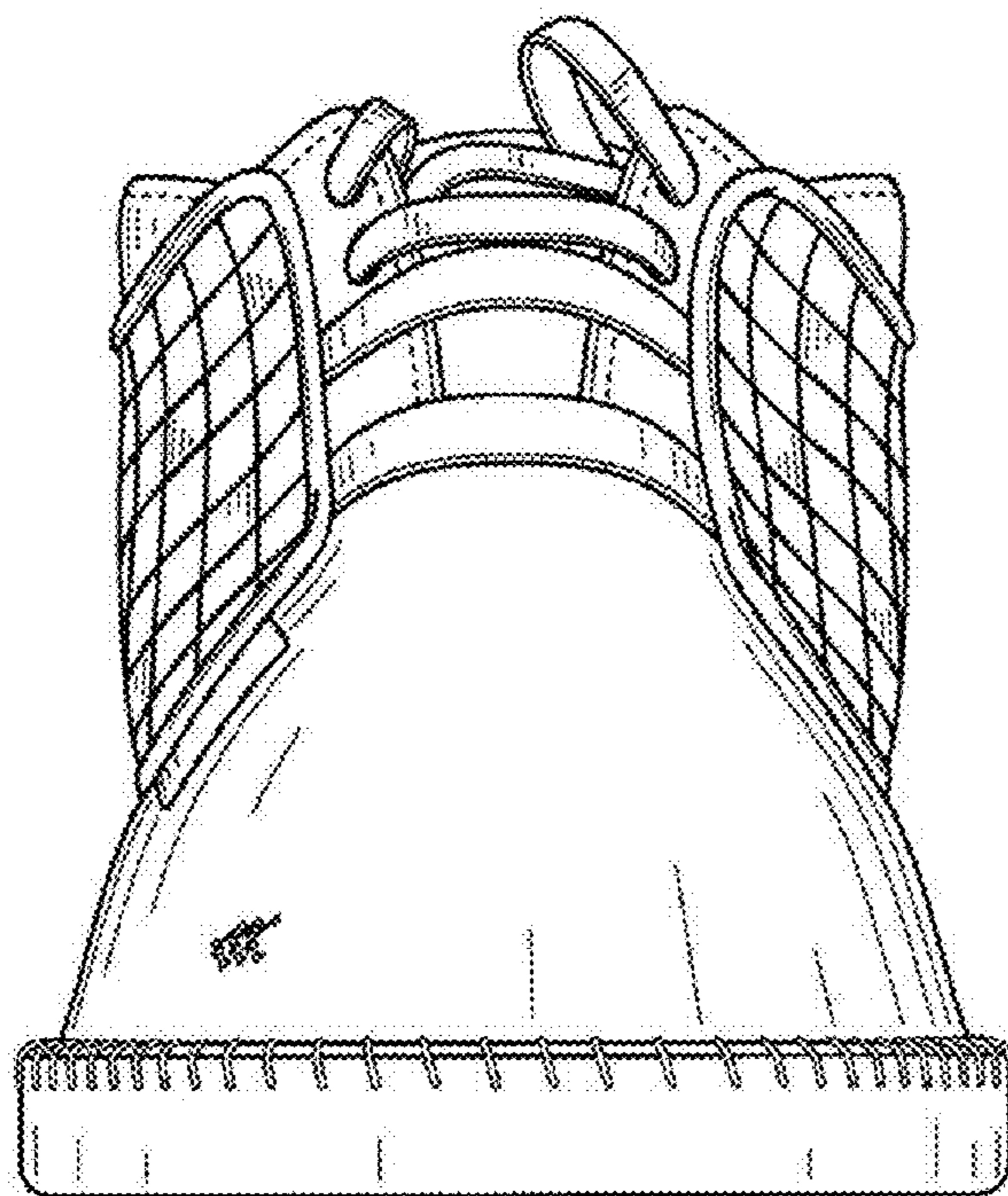


FIG. 4

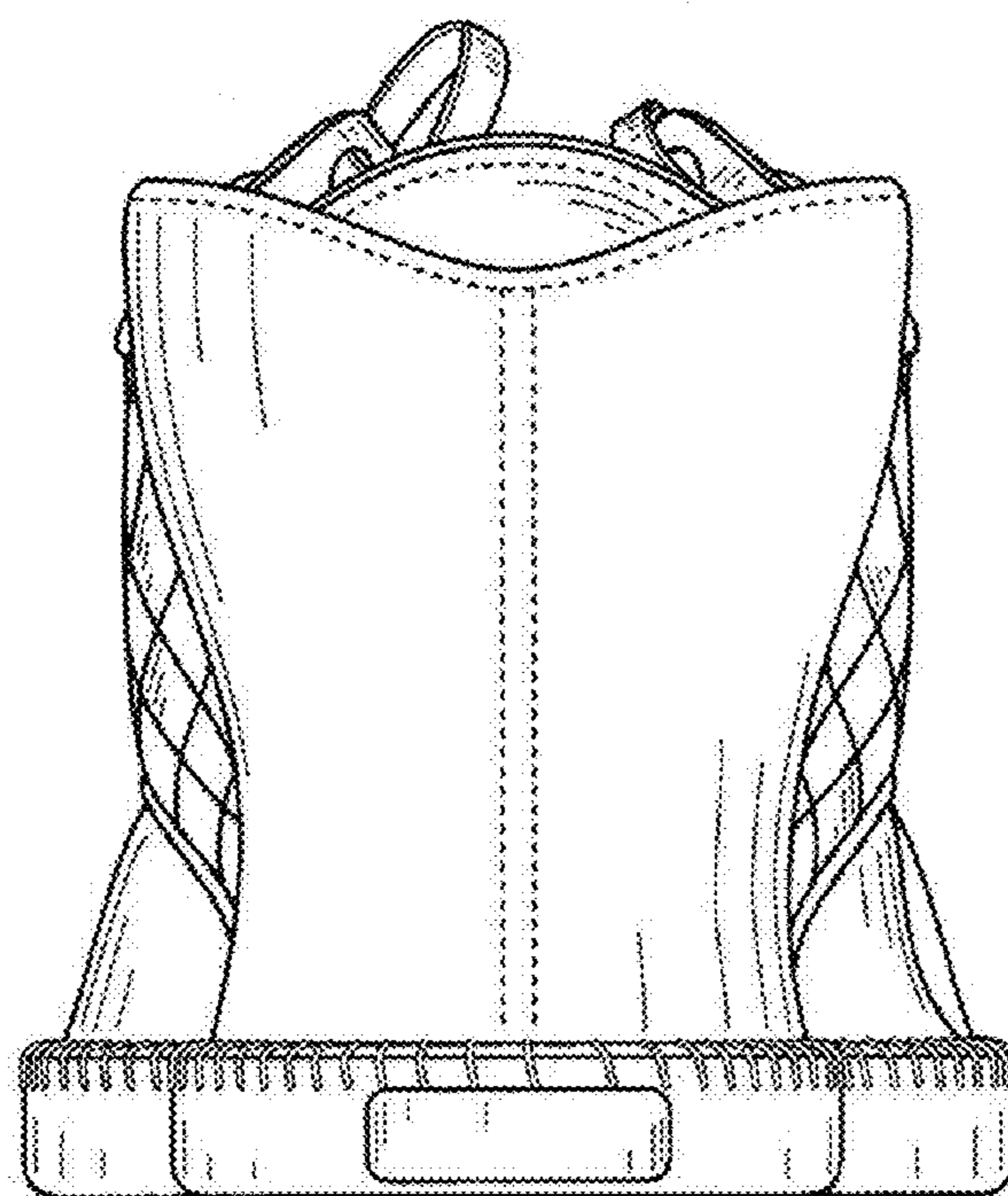


FIG. 5



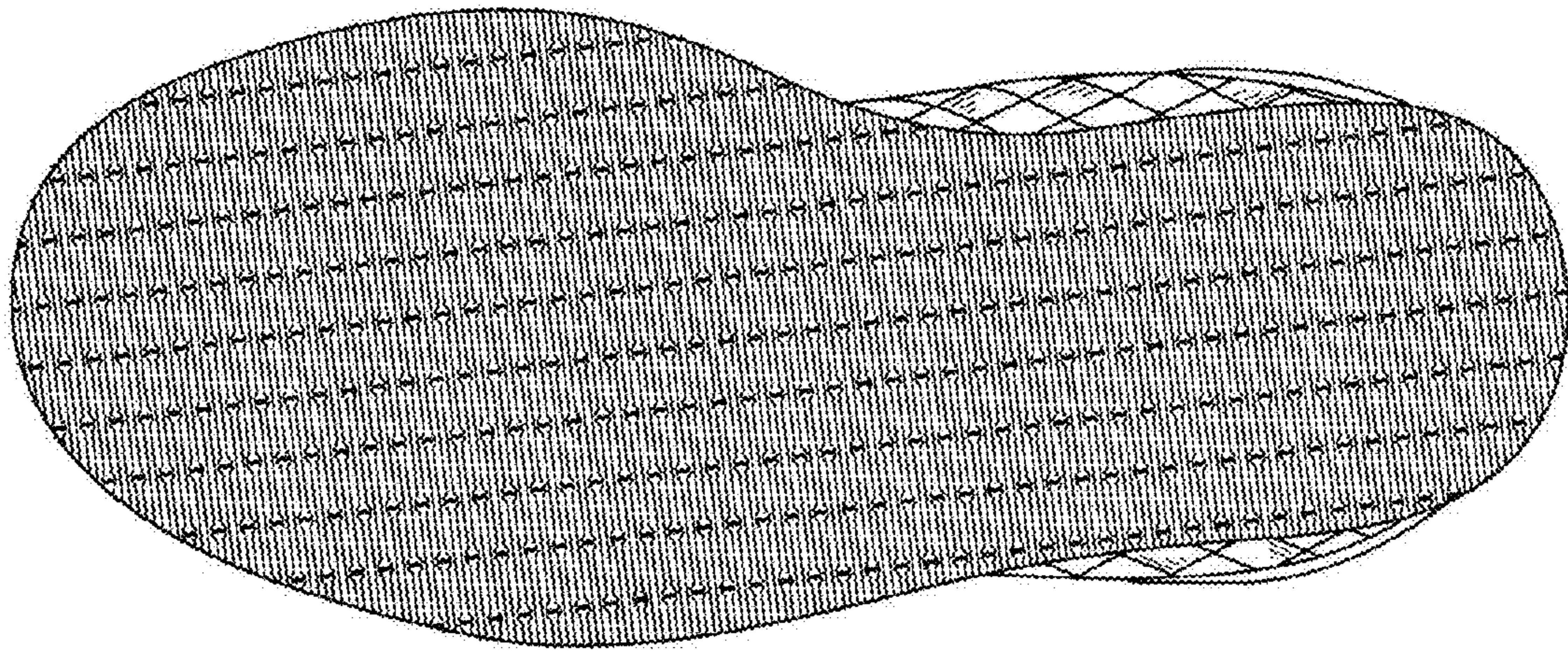


FIG. 6

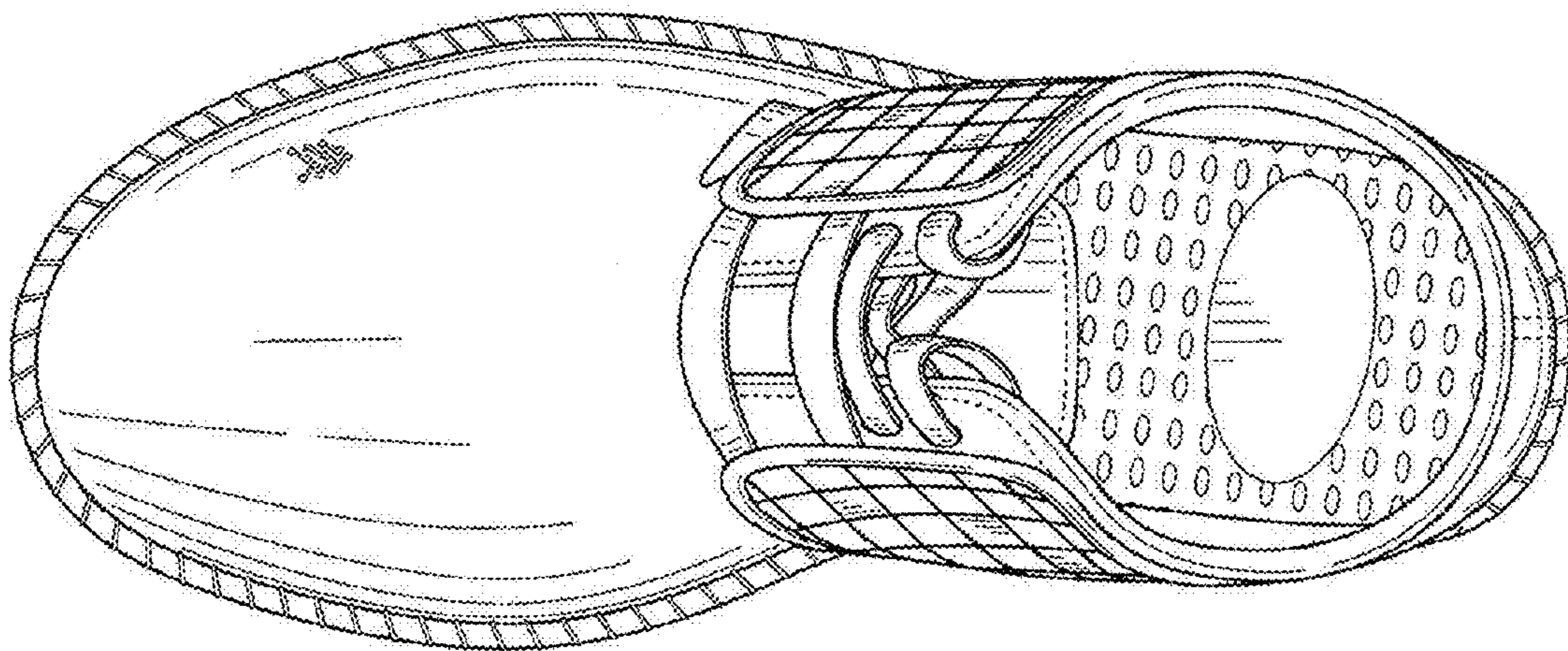


FIG. 7