

US00D649731S

(12) **United States Design Patent**
Wang

(10) **Patent No.:** **US D649,731 S**

(45) **Date of Patent:** **** Nov. 29, 2011**

(54) **GOLF CART**

(76) Inventor: **Jonathan Hwan Wang**, Hayward, CA
(US)

(**) Term: **14 Years**

(21) Appl. No.: **29/359,643**

(22) Filed: **Apr. 14, 2010**

(51) **LOC (9) Cl.** **12-02**

(52) **U.S. Cl.** **D34/15**

(58) **Field of Classification Search** D34/12-27;
280/DIG. 5, DIG. 6, 62, 47.19, 47.26, 47.17,
280/47.18, 47.24, 40, 30, 41, 646, 652, 47.22,
280/79.11; 180/19.3, 19.1, 65.6
See application file for complete search history.

(56) **References Cited**

U.S. PATENT DOCUMENTS

D349,796 S *	8/1994	Wimberley et al.	D34/15
D391,730 S *	3/1998	Wang	D34/15
D446,620 S *	8/2001	Liao	D34/15
D448,906 S *	10/2001	Wu	D34/15
D450,167 S *	11/2001	Liao	D34/15
D468,510 S *	1/2003	Jacobs	D34/15
D488,279 S *	4/2004	Wu	D34/15
D502,303 S *	2/2005	Wu	D34/15
D531,374 S *	10/2006	Liao	D34/15

7,128,333 B2 *	10/2006	Reimers et al.	280/651
D597,274 S *	7/2009	Wu	D34/15
D599,973 S *	9/2009	Liao	D34/15
D621,120 S *	8/2010	Liao	D34/15
2004/0135331 A1 *	7/2004	Liao	280/47.2
2006/0071434 A1 *	4/2006	Cheng	280/47.26
2008/0174090 A1 *	7/2008	Gross	280/646

* cited by examiner

Primary Examiner — Cynthia Ramirez

(57) **CLAIM**

The ornamental design for a golf cart, as shown and described.

DESCRIPTION

FIG. 1 is a perspective view of a golf cart showing my new design;

FIG. 2 is a right side elevation view thereof.

FIG. 3 is a lower section top plan view thereof;

FIG. 4 is a front elevational view thereof;

FIG. 5 is a rear view thereof.

FIG. 6 is an upper section right side elevational view thereof;

FIG. 7 is a right elevational view in its folded condition thereof; and,

FIG. 8 illustrates a front view thereof.

The left side elevational view is not shown because it is symmetric to the right side elevational view.

1 Claim, 8 Drawing Sheets





Fig. 1



Fig. 2



Fig. 3

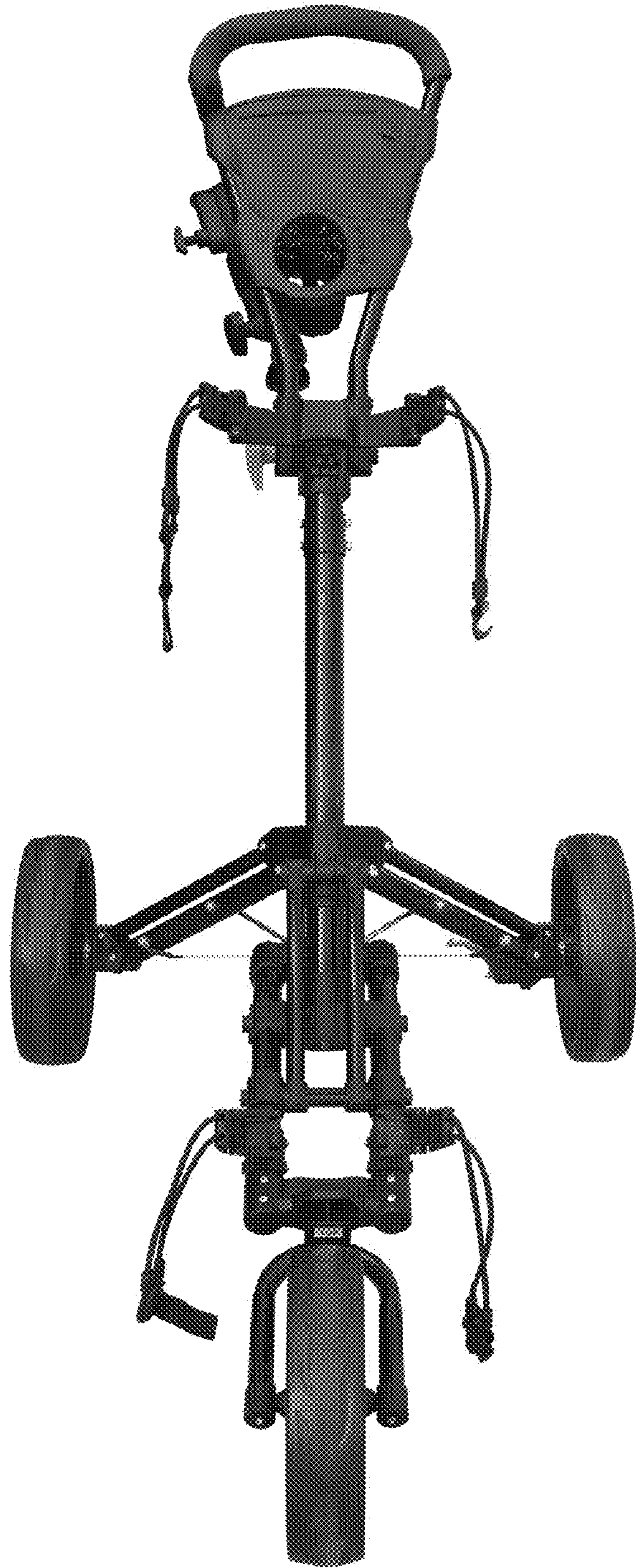


Fig. 4



Fig. 5

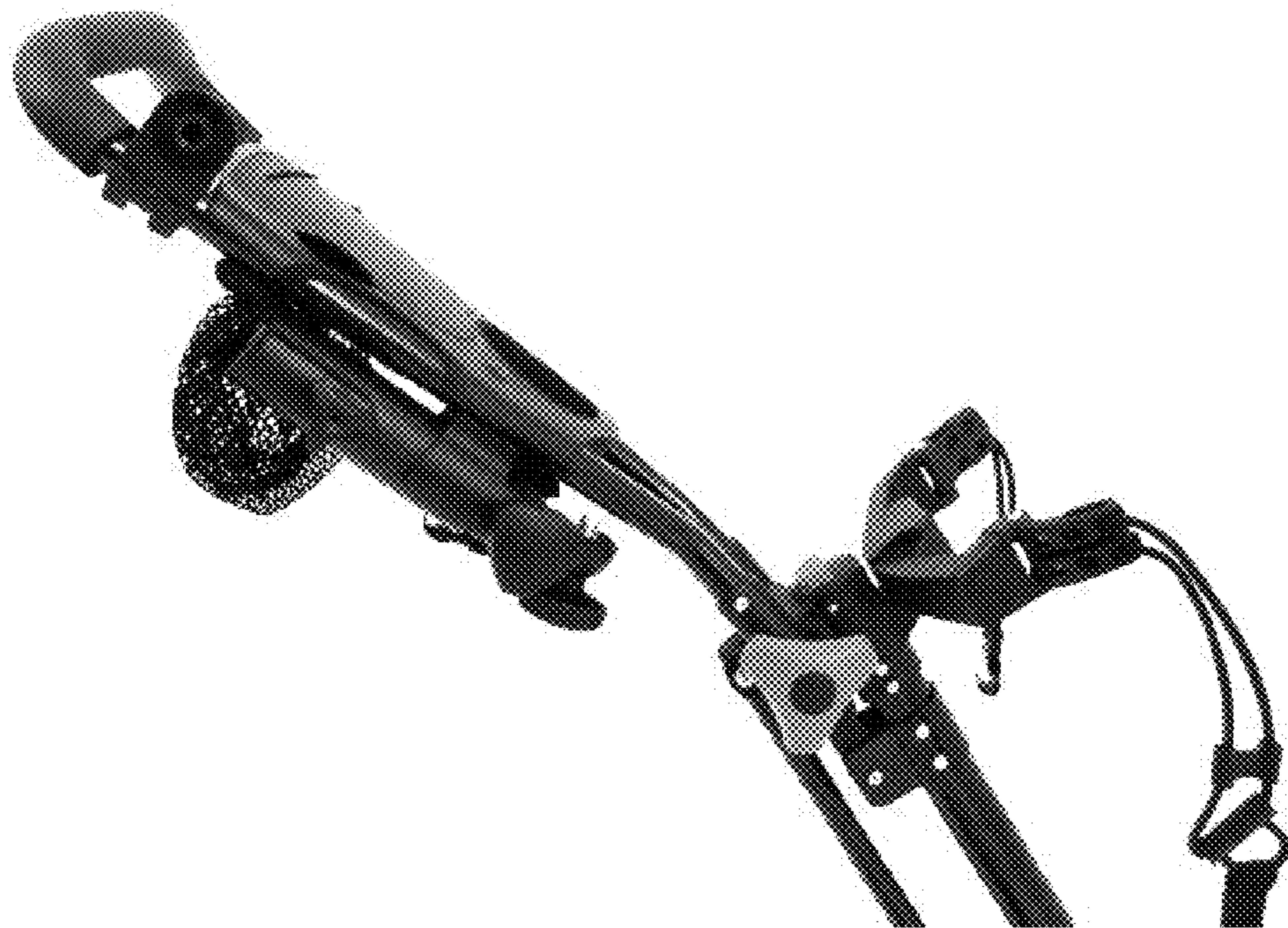


Fig. 6

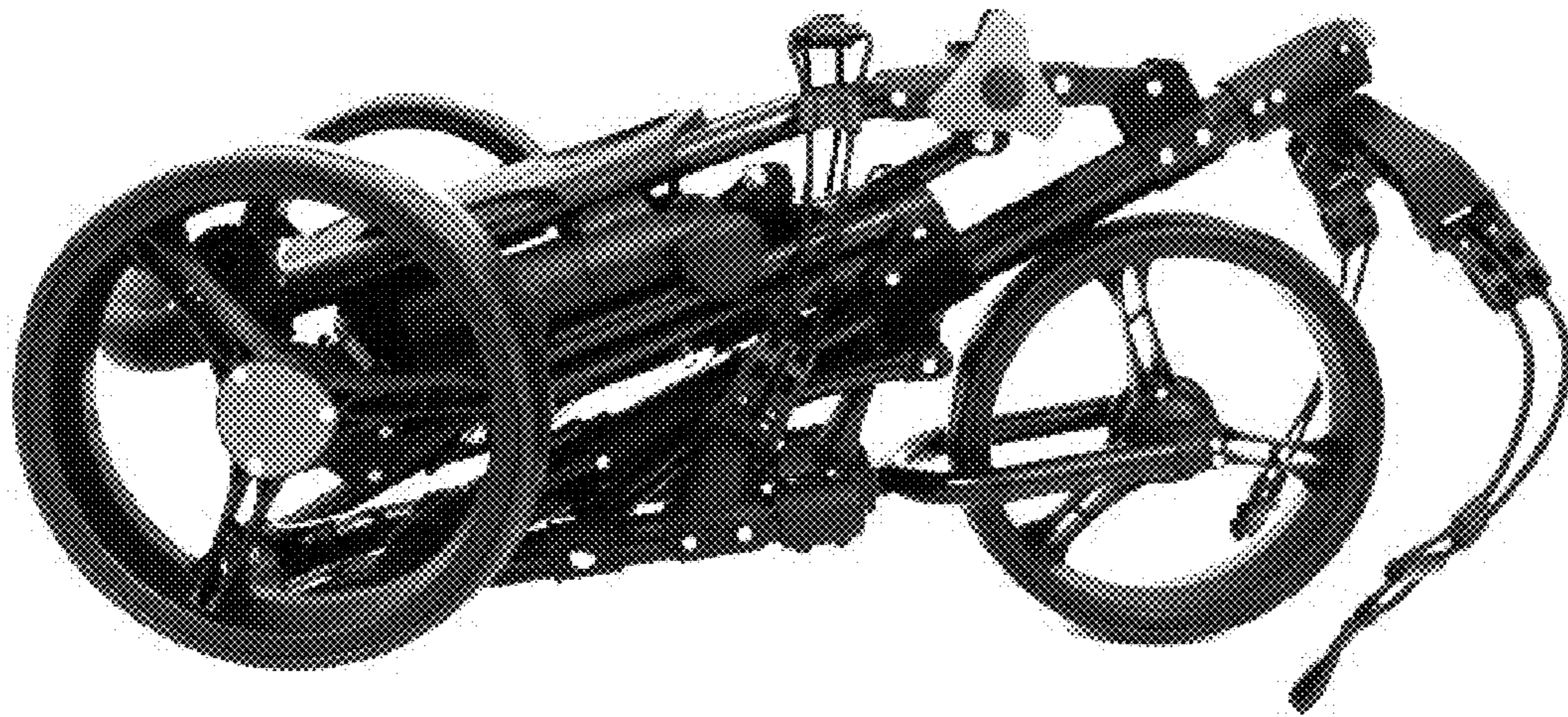


Fig. 7

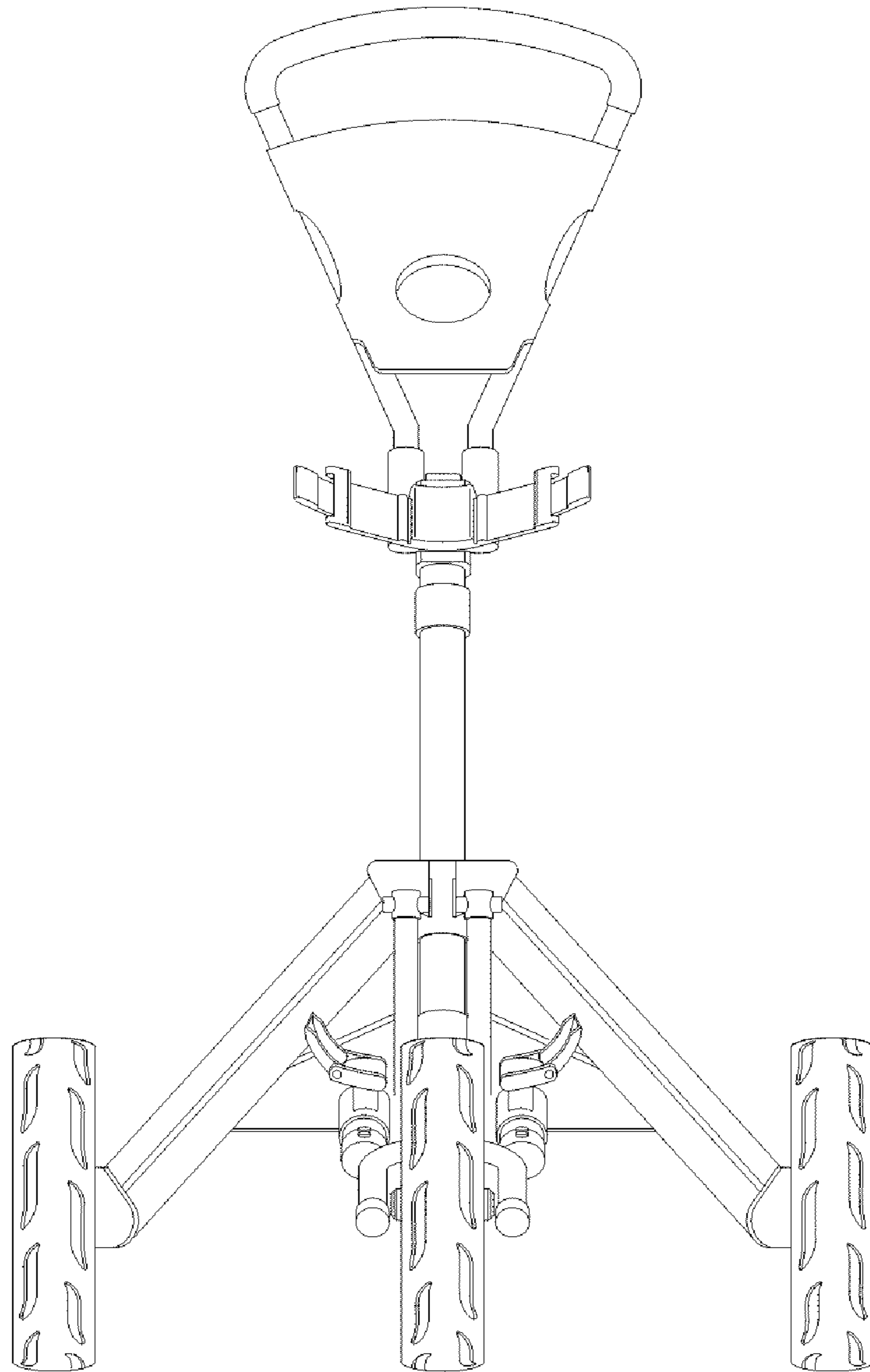


FIG. 8