



US00D649729S

(12) **United States Design Patent**
Salonen et al.

(10) **Patent No.:** **US D649,729 S**

(45) **Date of Patent:** **** Nov. 29, 2011**

(54) **WASTE COLLECTING CONTAINER**

(75) Inventors: **Ari Salonen**, Turku (FI); **Ari Pöllänen**,
Turku (FI)

(73) Assignee: **Hannoa Oy**, Turku (FI)

(**) Term: **14 Years**

(21) Appl. No.: **29/382,617**

(22) Filed: **Jan. 5, 2011**

(30) **Foreign Application Priority Data**

Jul. 5, 2010 (EM) 001727868-0002

(51) **LOC (9) Cl.** **09-09**

(52) **U.S. Cl.** **D34/1**

(58) **Field of Classification Search** D34/1;
D32/53.1; D7/396.2, 396.1; 206/23.86–23.89,
206/604, 640, 656, 657, 904, 908–910, 500,
206/735, 736; D9/569, 772, 773, 774, 776,
D9/777, 778, 779

See application file for complete search history.

(56) **References Cited**

U.S. PATENT DOCUMENTS

1,427,879	A *	9/1922	Weinman	220/655
2,620,006	A *	12/1952	Sorron-Zabala	220/758
D171,578	S *	3/1954	Brucker	D9/778
2,907,491	A *	10/1959	Gunn	220/298
3,148,799	A *	9/1964	Meroney	220/495.11
D204,507	S *	4/1966	Davis	D32/53
3,407,638	A *	10/1968	Greis et al.	72/96
3,468,467	A *	9/1969	Amberg	229/403
3,516,570	A *	6/1970	Morgan	220/799

4,279,357	A *	7/1981	Robinson	220/318
D280,038	S *	8/1985	Anderson	D32/53
D285,765	S *	9/1986	Zieff	D7/603
D285,767	S *	9/1986	Zieff	D7/603
4,890,760	A *	1/1990	Nicoll et al.	220/495.04
D317,120	S *	5/1991	Schwartzburg	D9/778
5,203,836	A *	4/1993	Brazis et al.	206/507
D368,347	S *	3/1996	Kruger	D32/53
5,513,770	A *	5/1996	Seeley et al.	220/729
5,553,733	A *	9/1996	Rosenthal	428/35.2
D521,203	S *	5/2006	Sofy et al.	D34/1
D578,265	S *	10/2008	Presnell	D34/1
D625,066	S *	10/2010	Shannon	D34/1
D626,303	S *	10/2010	Loverbos	D32/53
D641,117	S *	7/2011	Rampton et al.	D34/1
D641,118	S *	7/2011	Rampton et al.	D34/1

* cited by examiner

Primary Examiner — Cynthia Ramirez

(74) *Attorney, Agent, or Firm* — Stiennon & Stiennon

(57) **CLAIM**

The ornamental design for a waste collecting container, as shown and described.

DESCRIPTION

FIG. 1 is top perspective view of the waste collecting container of our invention;
FIG. 2 is a bottom perspective view thereof;
FIG. 3 is a left side elevational view thereof, the right side elevational view is identical thereto;
FIG. 4 is a front elevational view thereof, the rear elevational view is identical thereto;
FIG. 5 is a top plan view thereof; and,
FIG. 6 is a bottom plan view thereof.

1 Claim, 3 Drawing Sheets

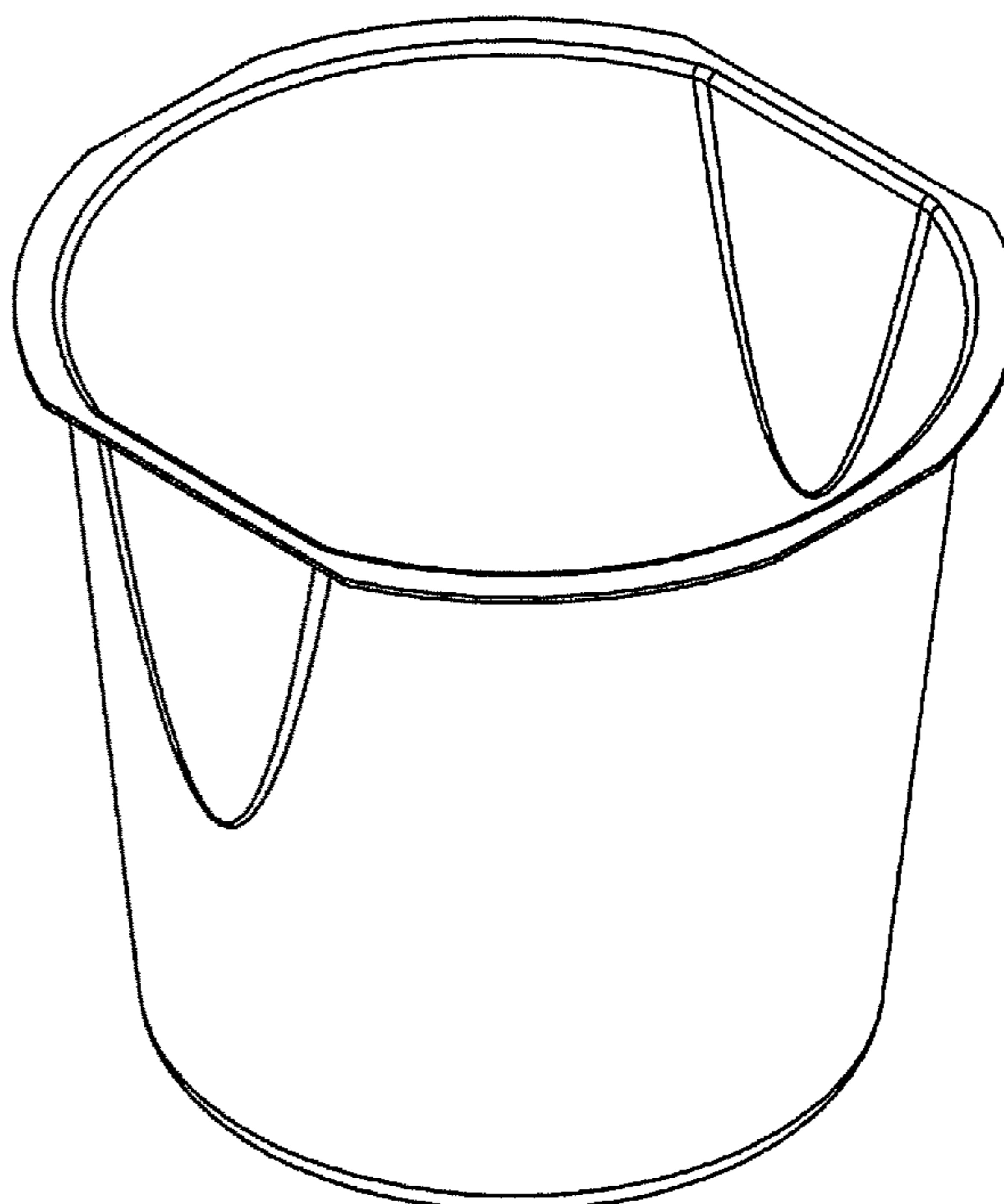


Figure 2

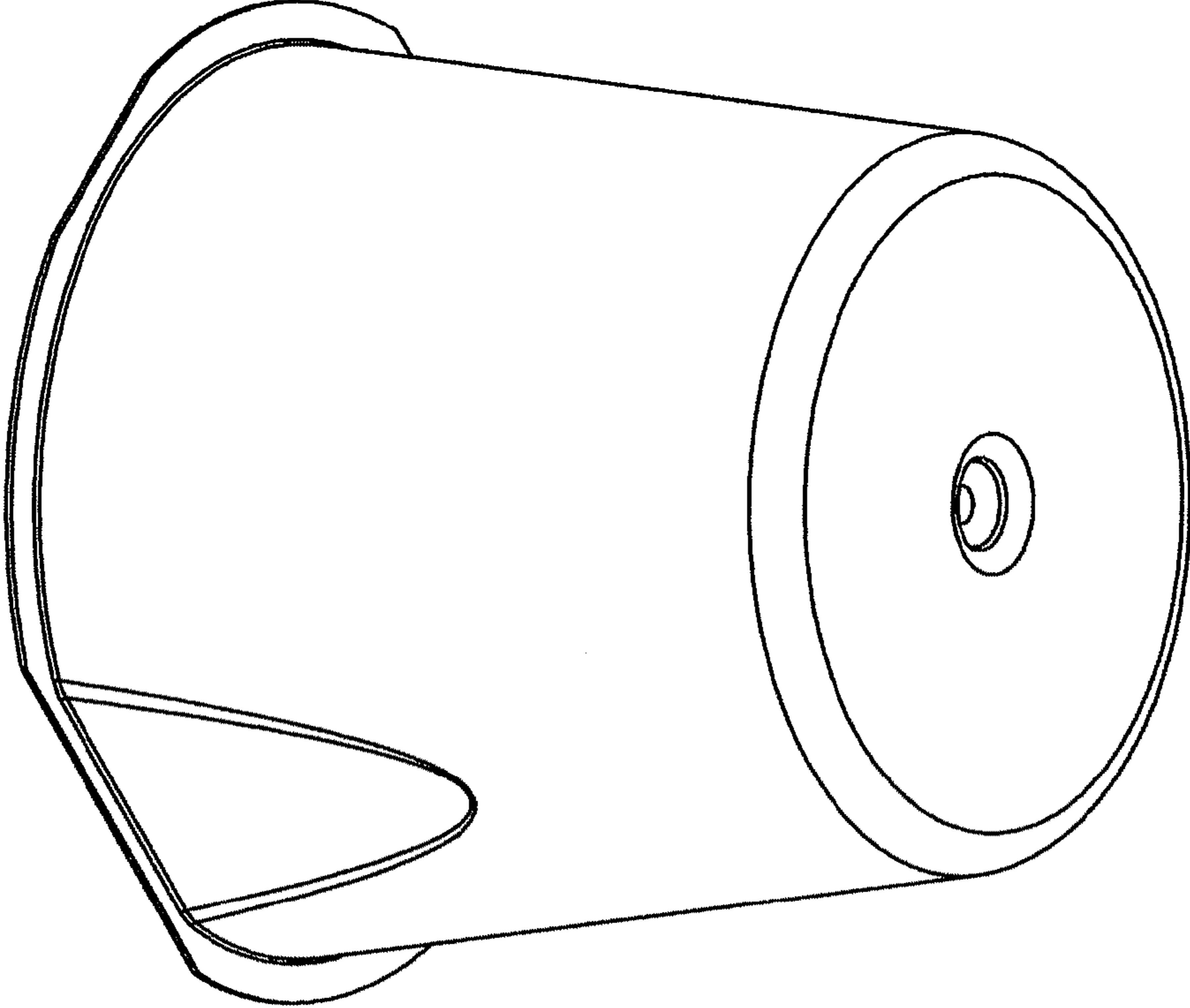


Figure 1

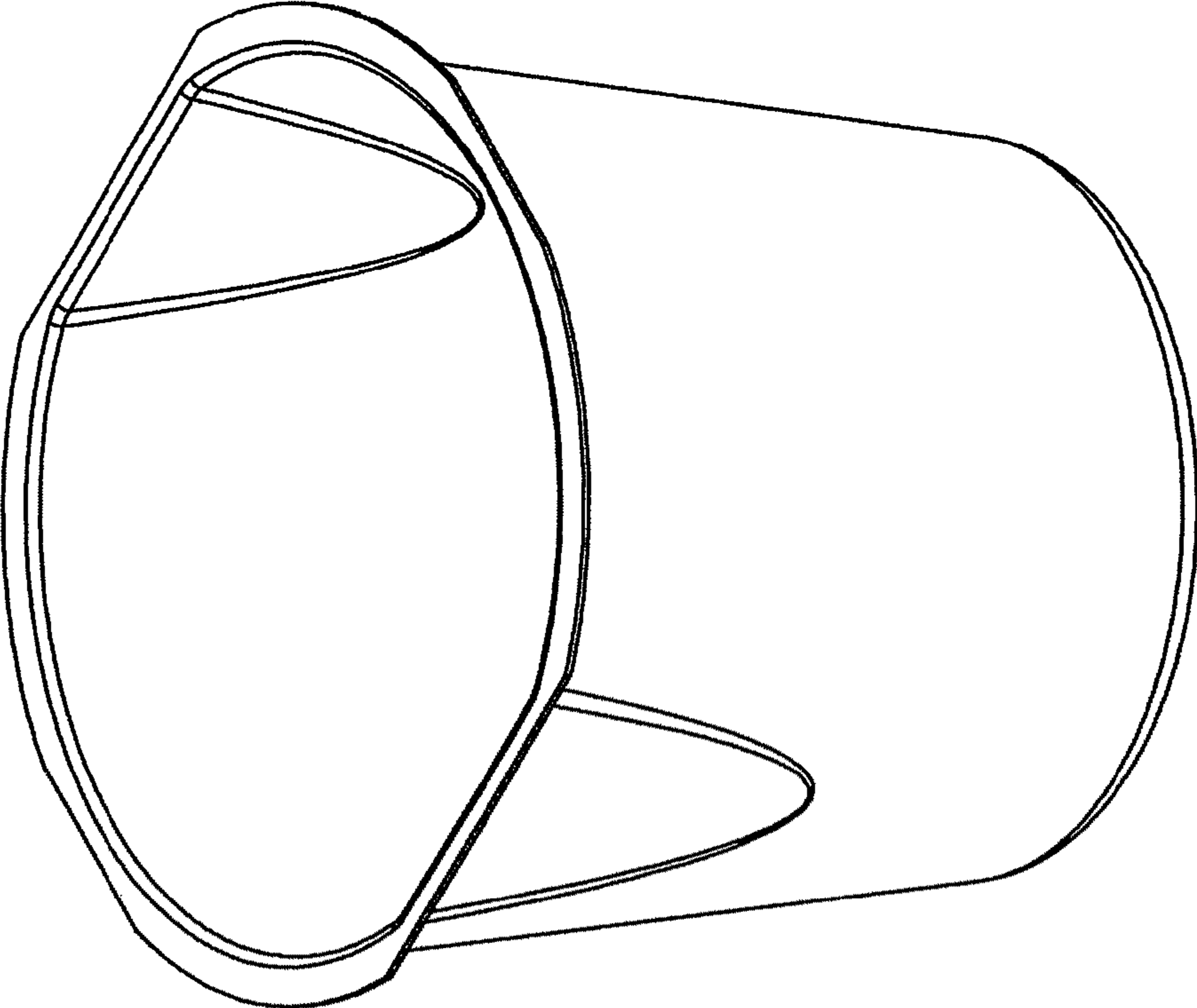


Figure 4

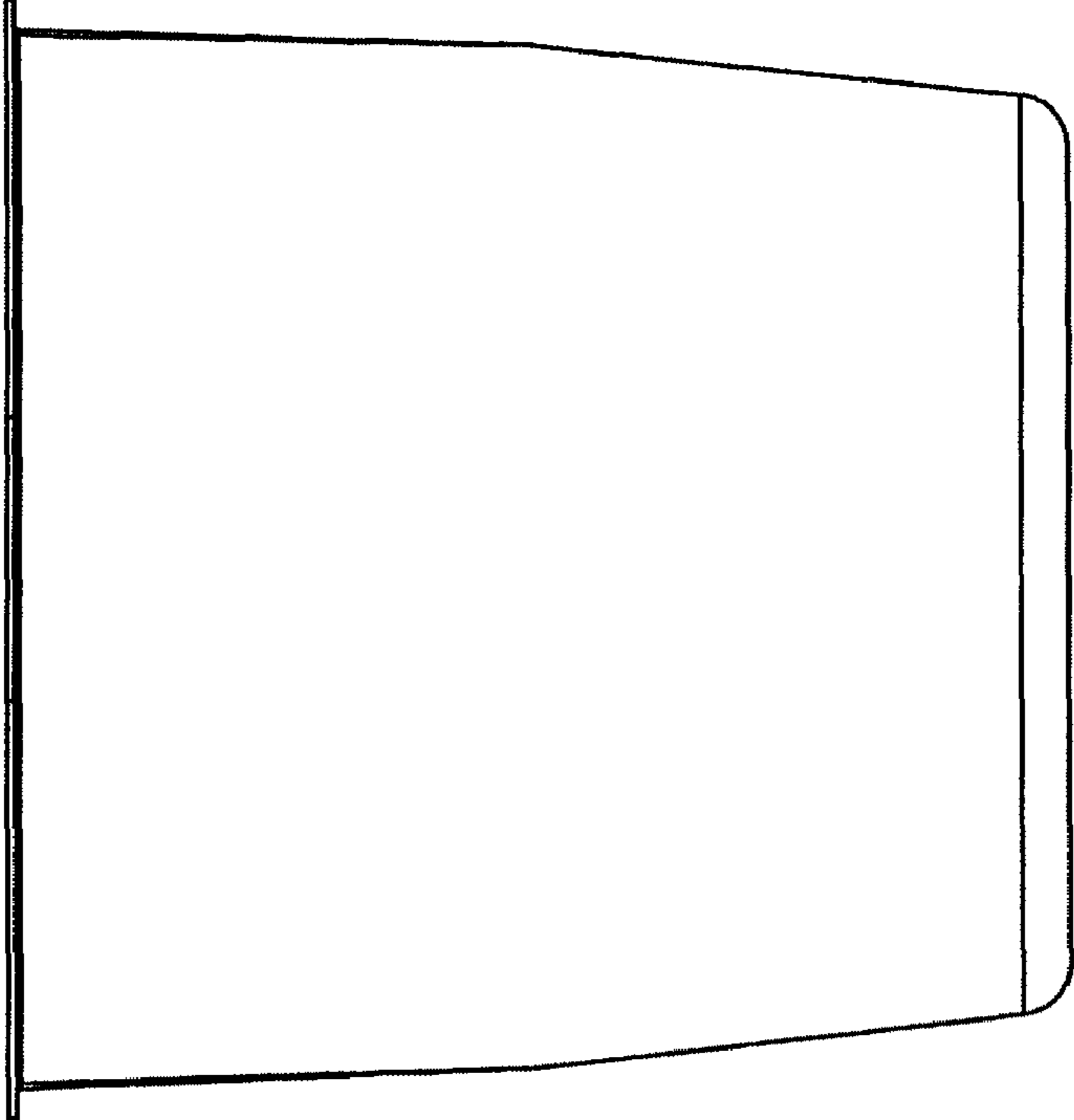


Figure 3

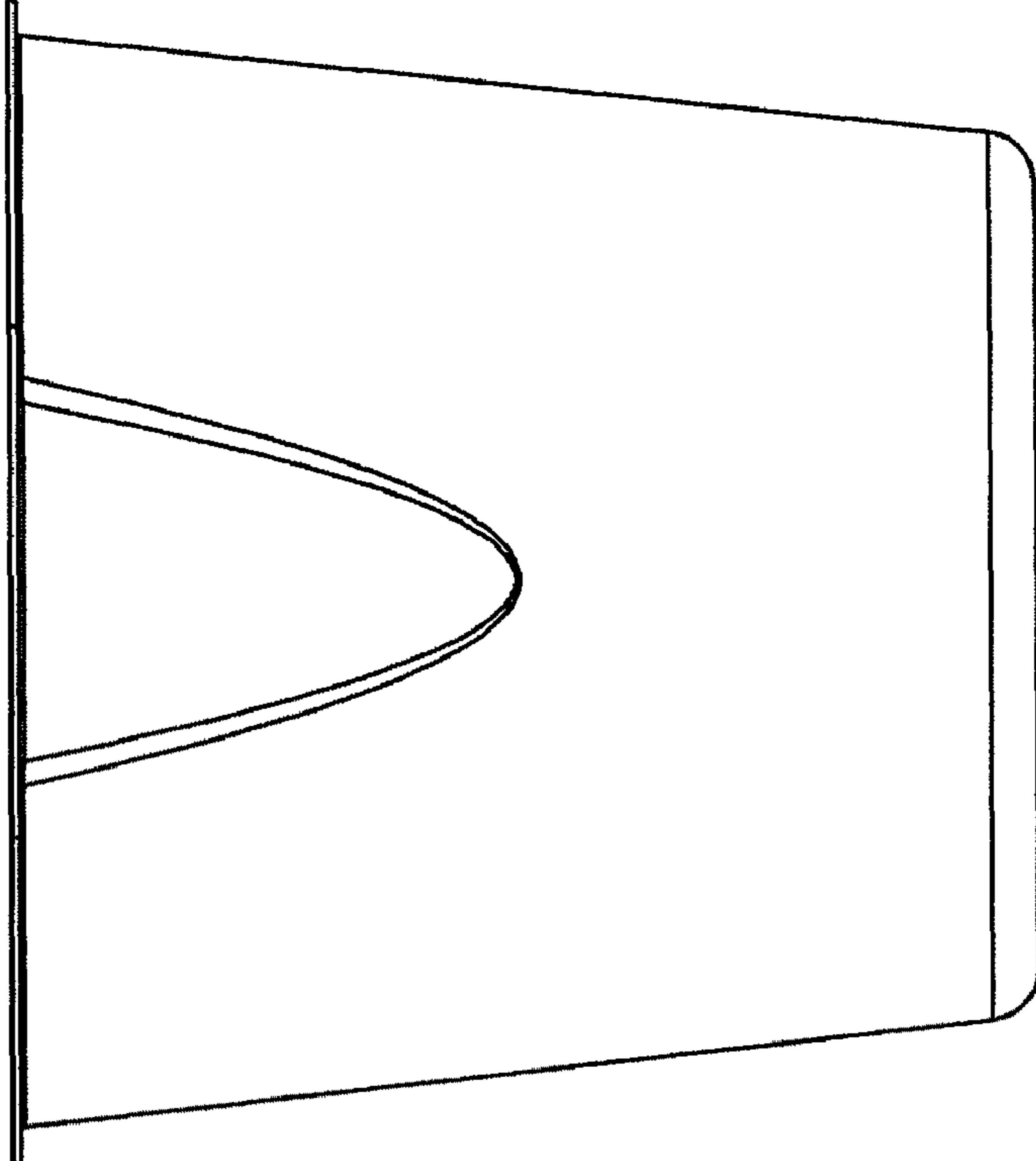


Figure 6

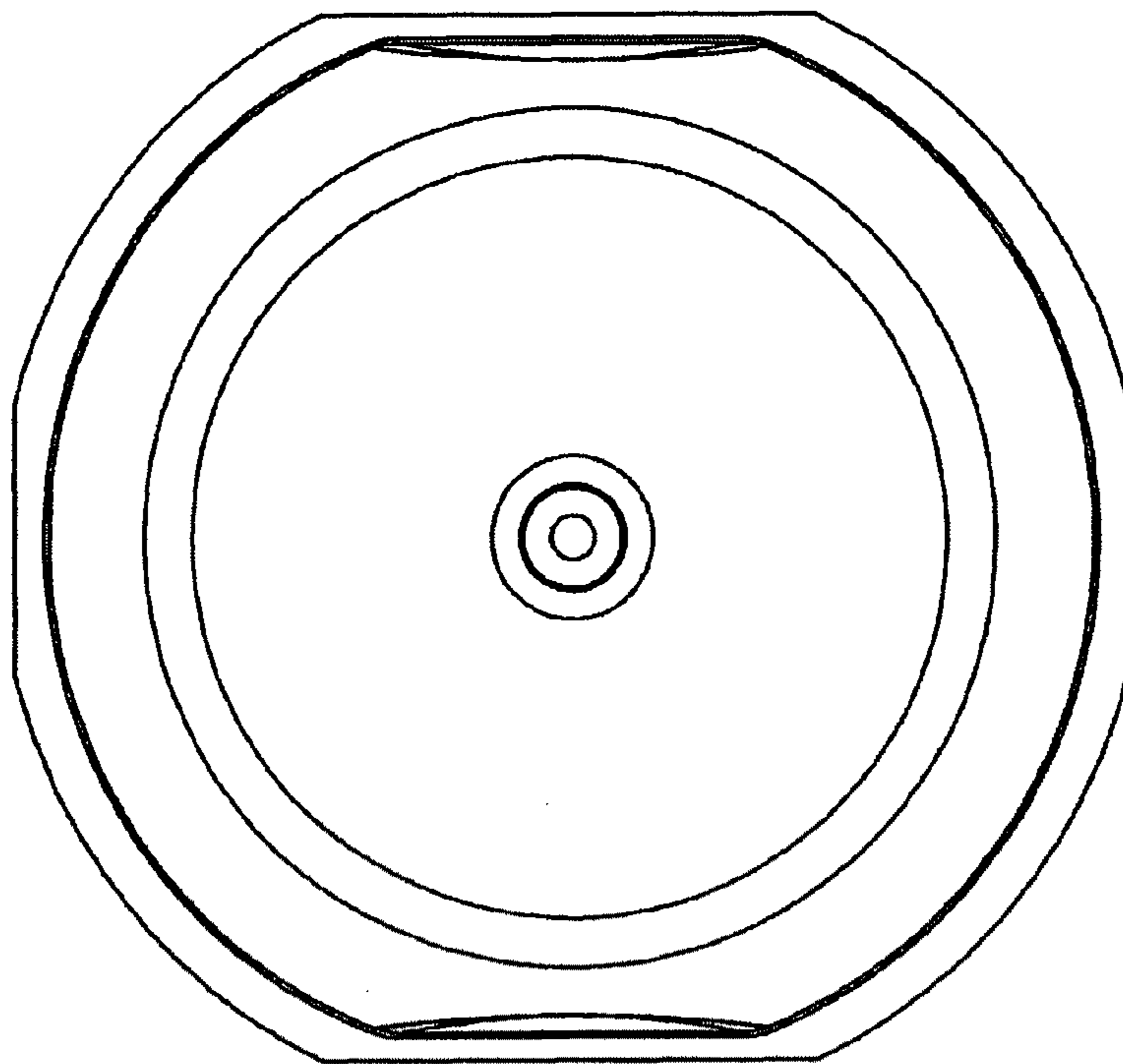


Figure 5

