



US00D649728S

(12) **United States Design Patent**
Campbell

(10) **Patent No.:** **US D649,728 S**

(45) **Date of Patent:** **** Nov. 29, 2011**

- (54) **DISPOSABLE PAPER TRASH BIN**
- (76) Inventor: **Jon R. Campbell**, Edgewater Park, NJ
(US)
- (**) Term: **14 Years**
- (21) Appl. No.: **29/372,736**
- (22) Filed: **Jan. 3, 2011**
- (51) **LOC (9) Cl.** **09-09**
- (52) **U.S. Cl.** **D34/1**
- (58) **Field of Classification Search** D34/1-11;
220/908, 908.1, 909, 911; D19/85; D11/143;
D9/414, 418, 420, 430, 431, 432, 433
See application file for complete search history.

D521,203 S *	5/2006	Sofy et al.	D34/1
D552,319 S *	10/2007	Gusdorf	D34/1
D555,317 S *	11/2007	Yang et al.	D34/1
D568,568 S *	5/2008	Wood	D34/1
D568,569 S *	5/2008	Wood	D34/1

* cited by examiner

Primary Examiner — Cynthia Ramirez

(74) *Attorney, Agent, or Firm* — Norman E. Lehrer

(57) **CLAIM**

The ornamental design for a “disposable paper trash bin,” as shown and described.

DESCRIPTION

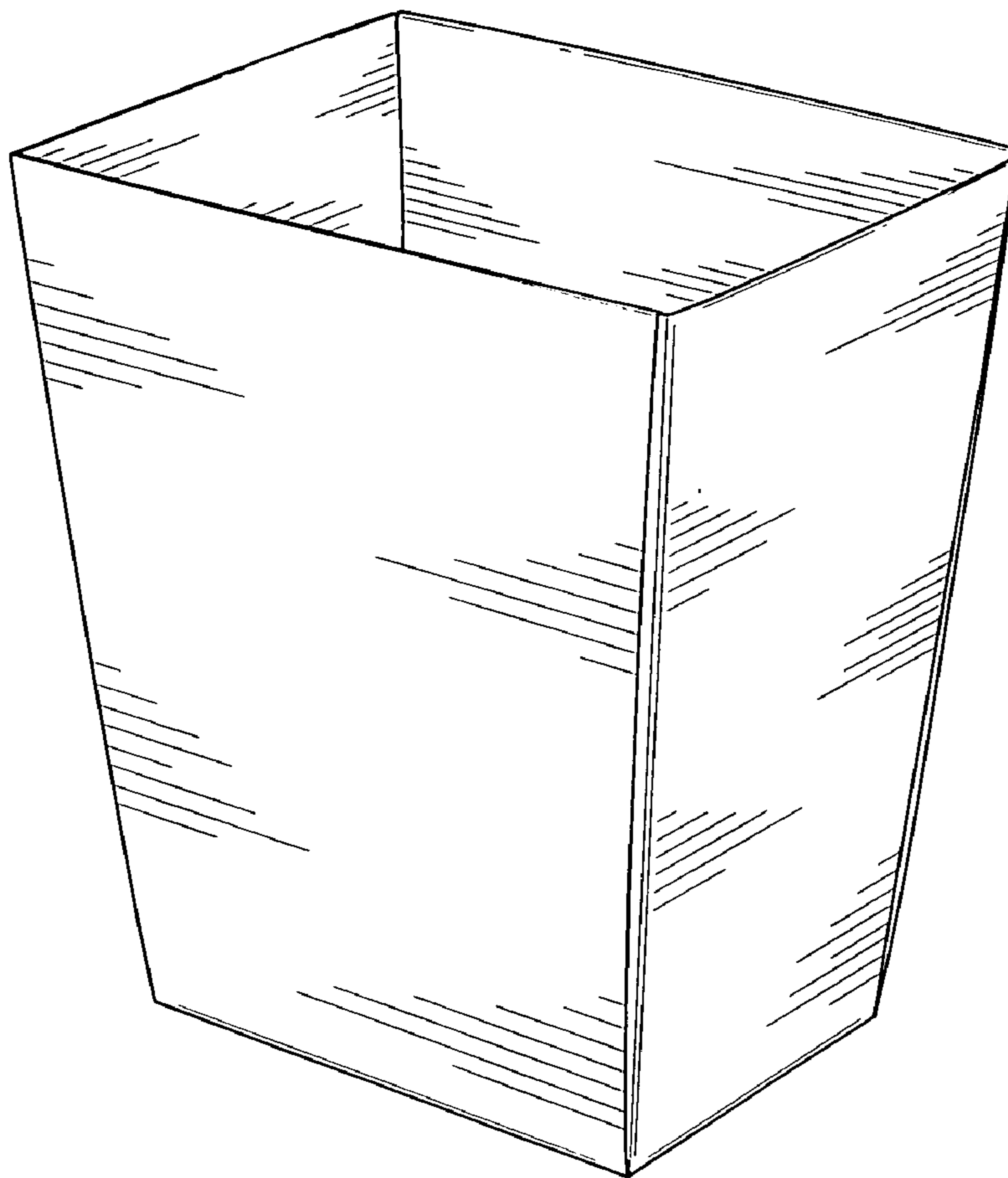
FIG. 1 is a front perspective view of a disposable paper trash bin showing my new design;
 FIG. 2 is a front elevational view thereof, the rear view being identical thereto;
 FIG. 3 is a right side elevational view thereof, the left side view being identical thereto;
 FIG. 4 is a top plan view thereof;
 FIG. 5 is a bottom plan view thereof;
 FIG. 6 is a top, front, right side perspective view thereof; and,
 FIG. 7 is a top, front, left side perspective view thereof.

(56) **References Cited**

U.S. PATENT DOCUMENTS

D209,337 S *	11/1967	Dykes	D9/414
D251,546 S *	4/1979	Larsson et al.	D9/432
D311,686 S *	10/1990	Tozawa	D9/423
D387,530 S *	12/1997	Doxey	D34/1
D405,576 S *	2/1999	Rausch	D34/1
D422,767 S *	4/2000	Presser	D34/6
D480,855 S *	10/2003	Sofy et al.	D34/1
D493,590 S *	7/2004	Chen	D34/1

1 Claim, 4 Drawing Sheets



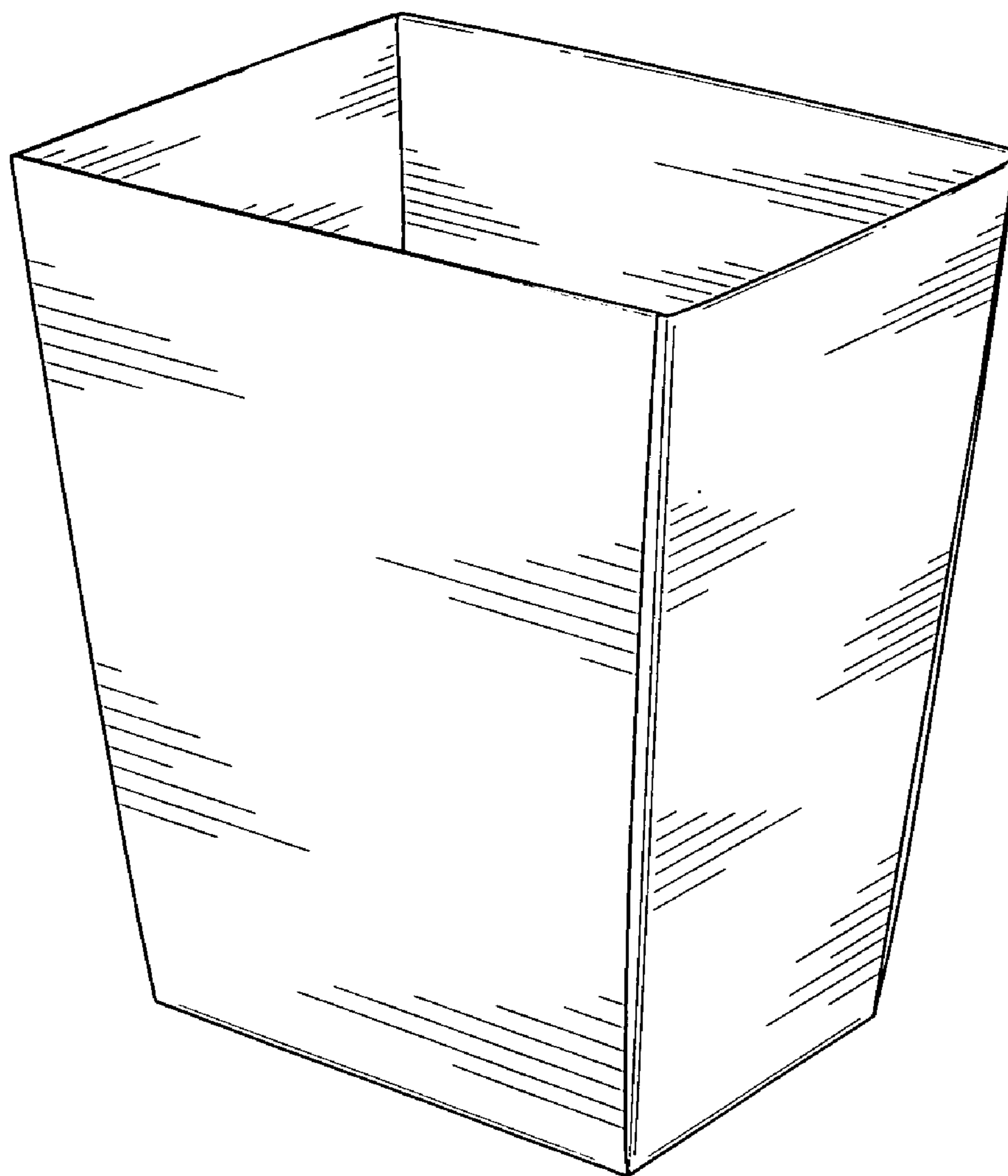


FIG. 1

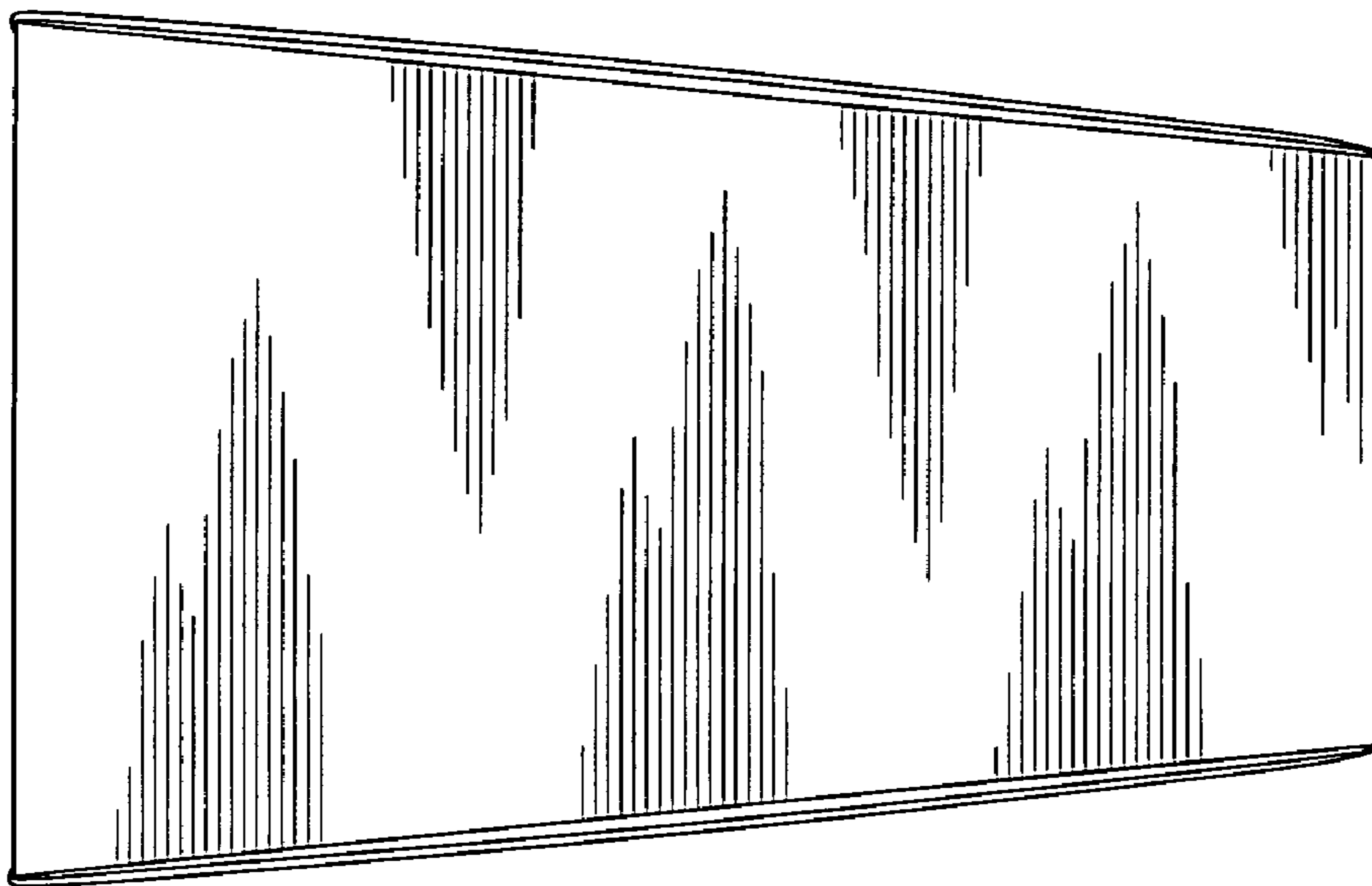


FIG. 3

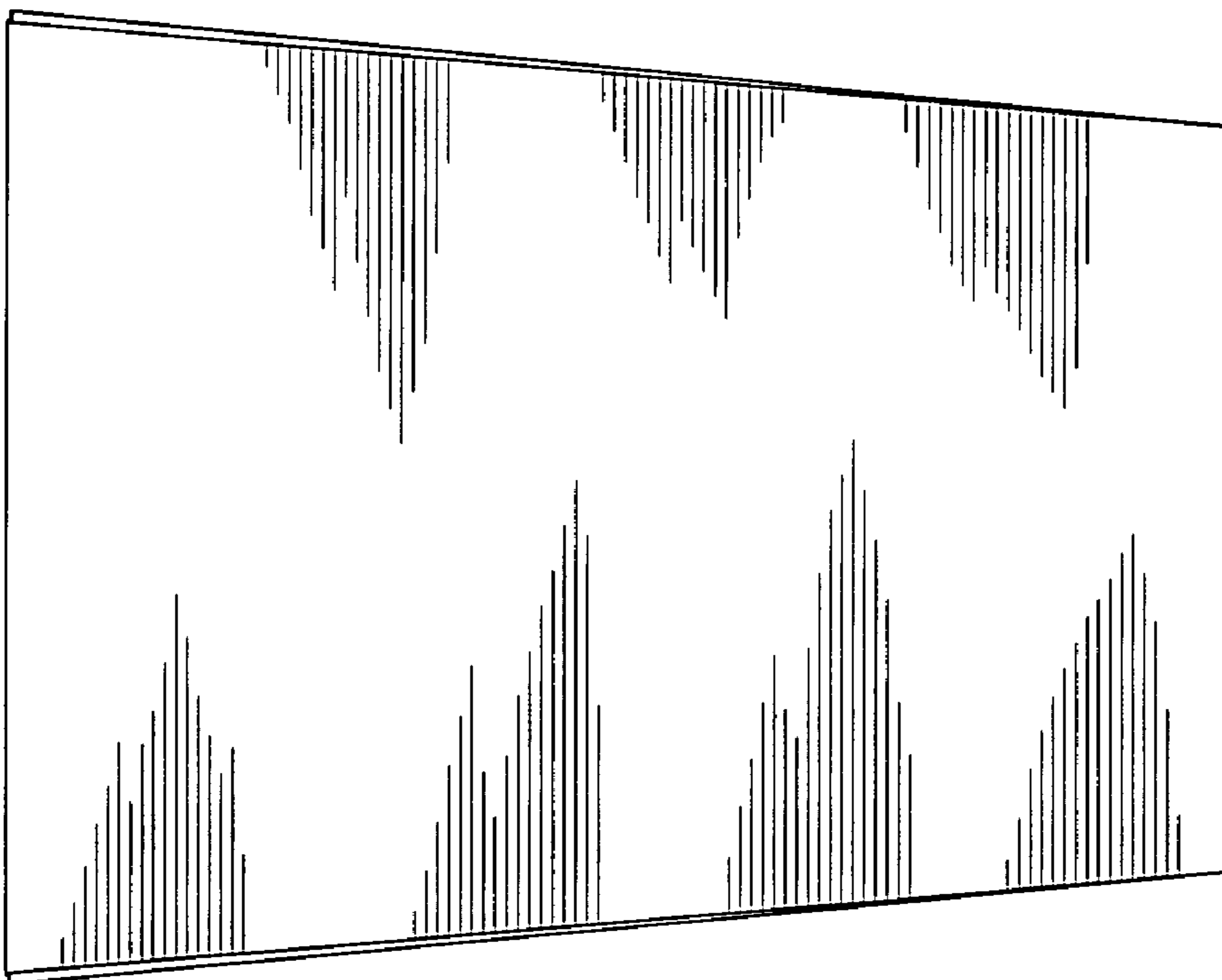


FIG. 2

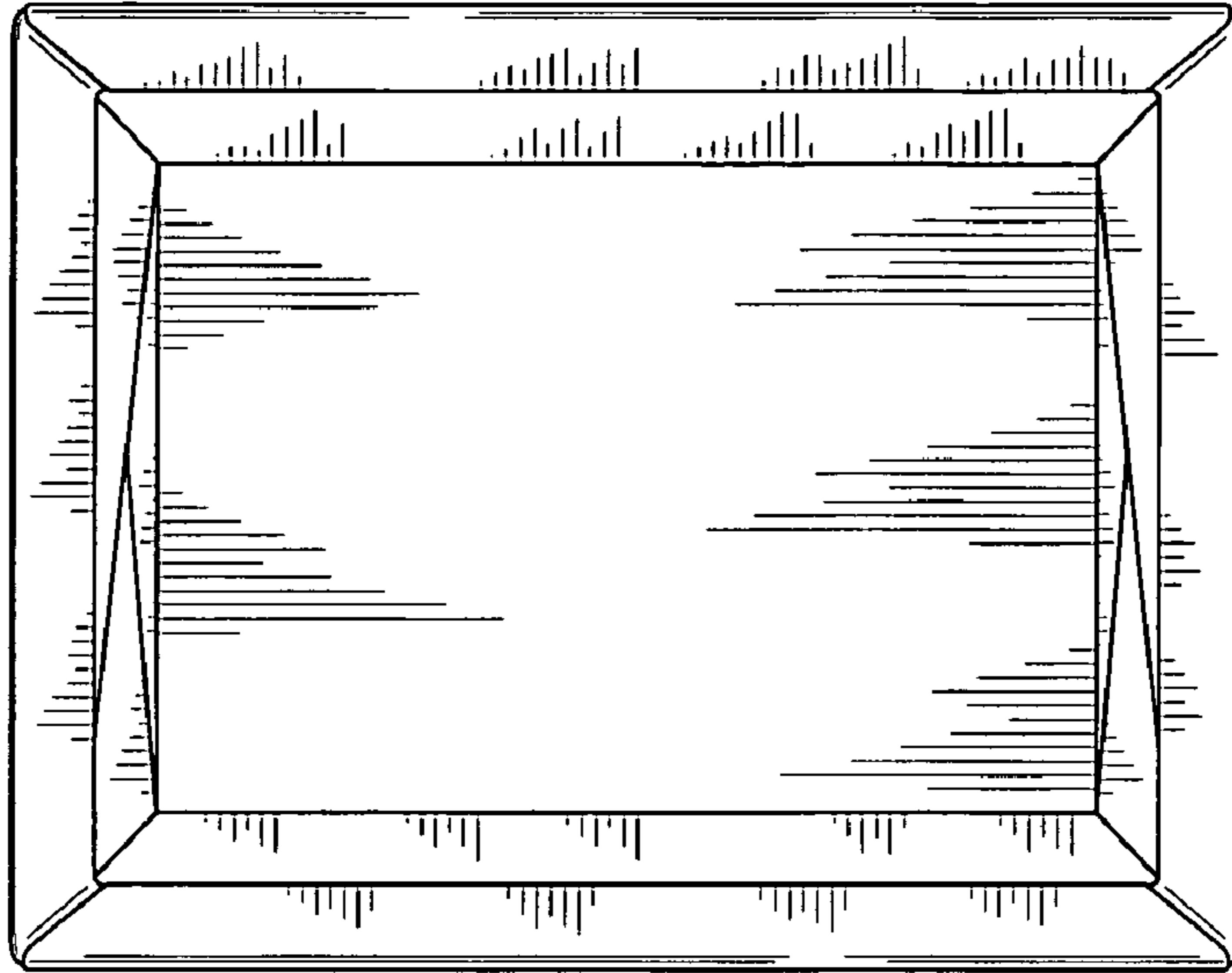


FIG. 4

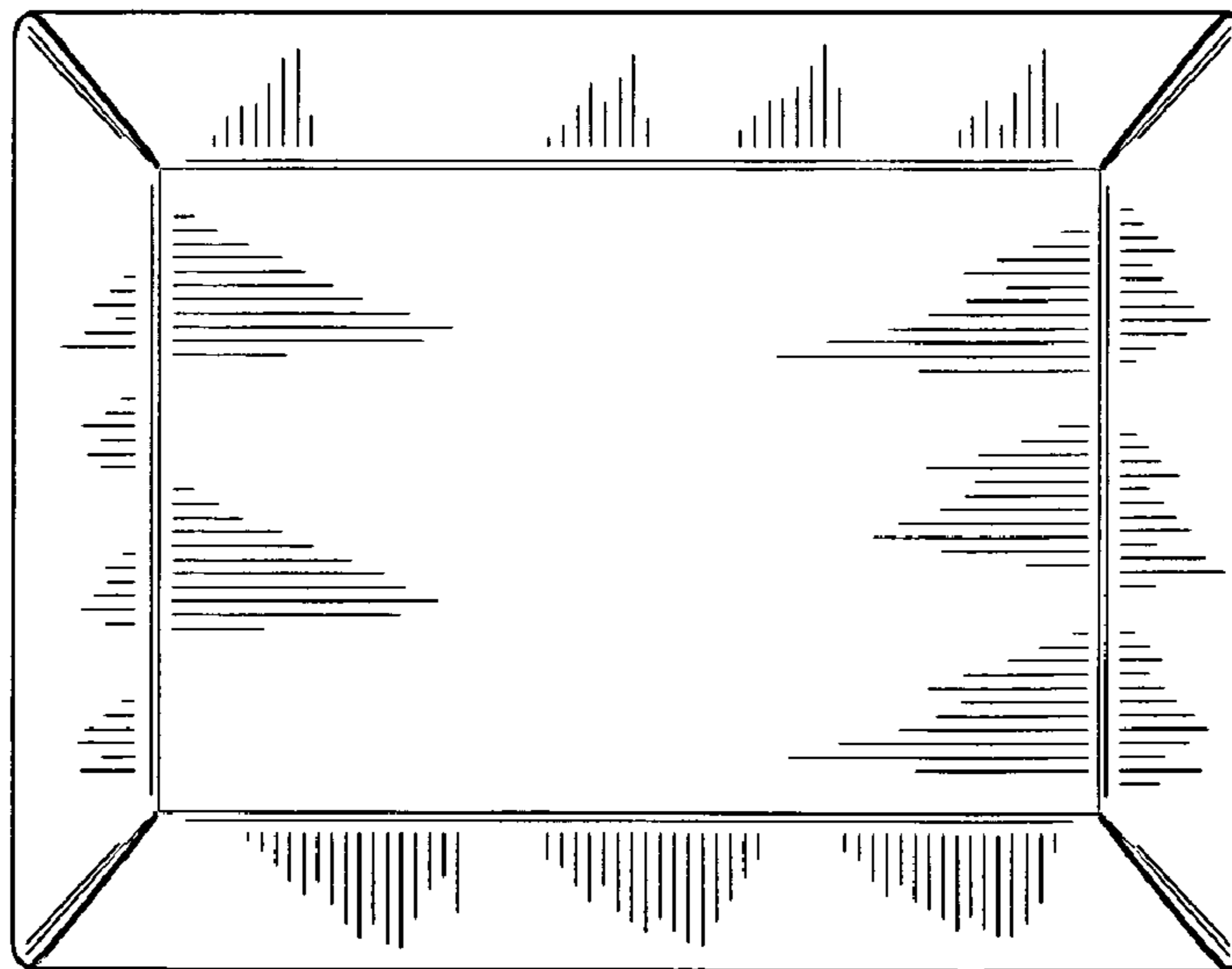


FIG. 5

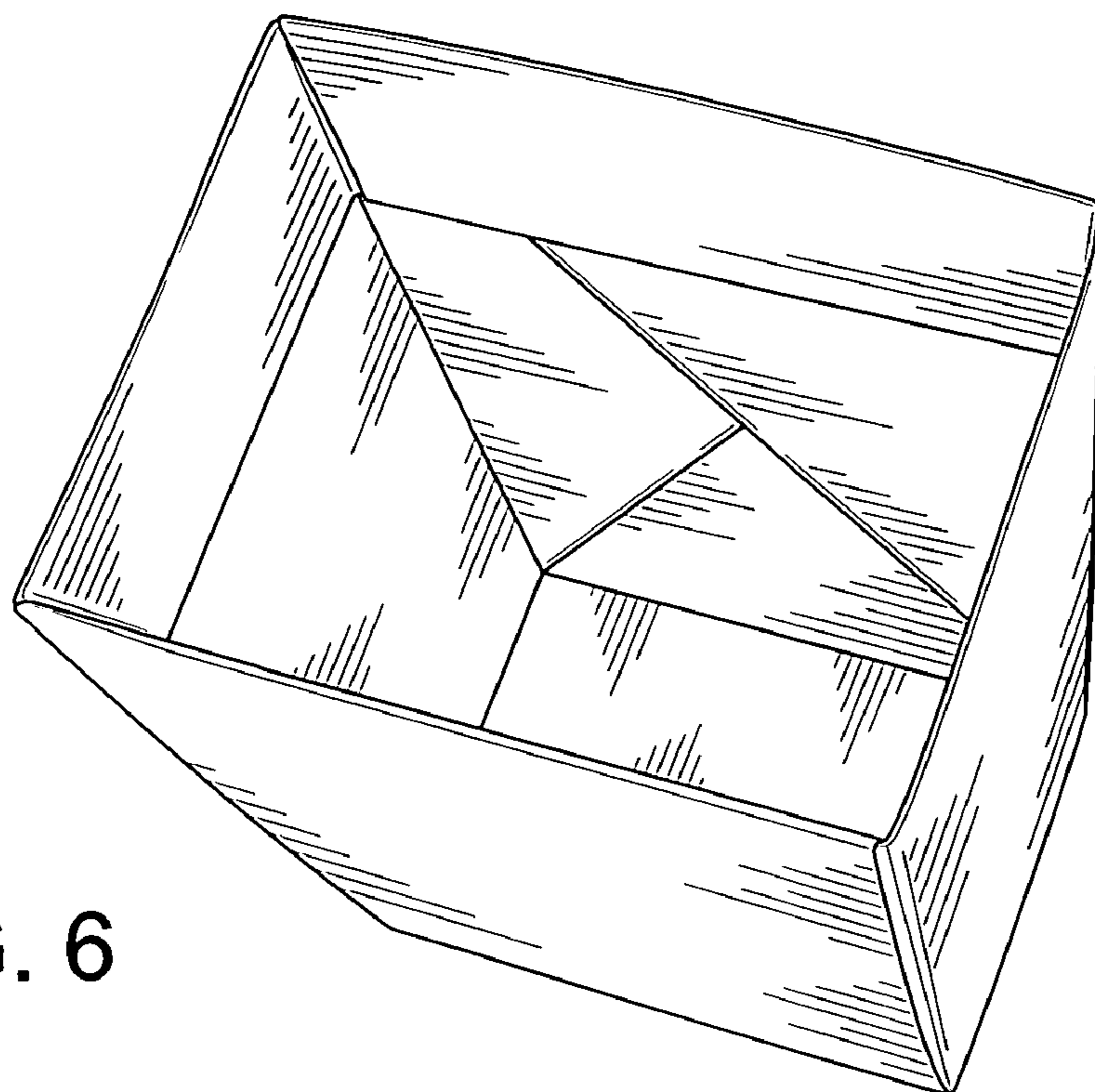


FIG. 6

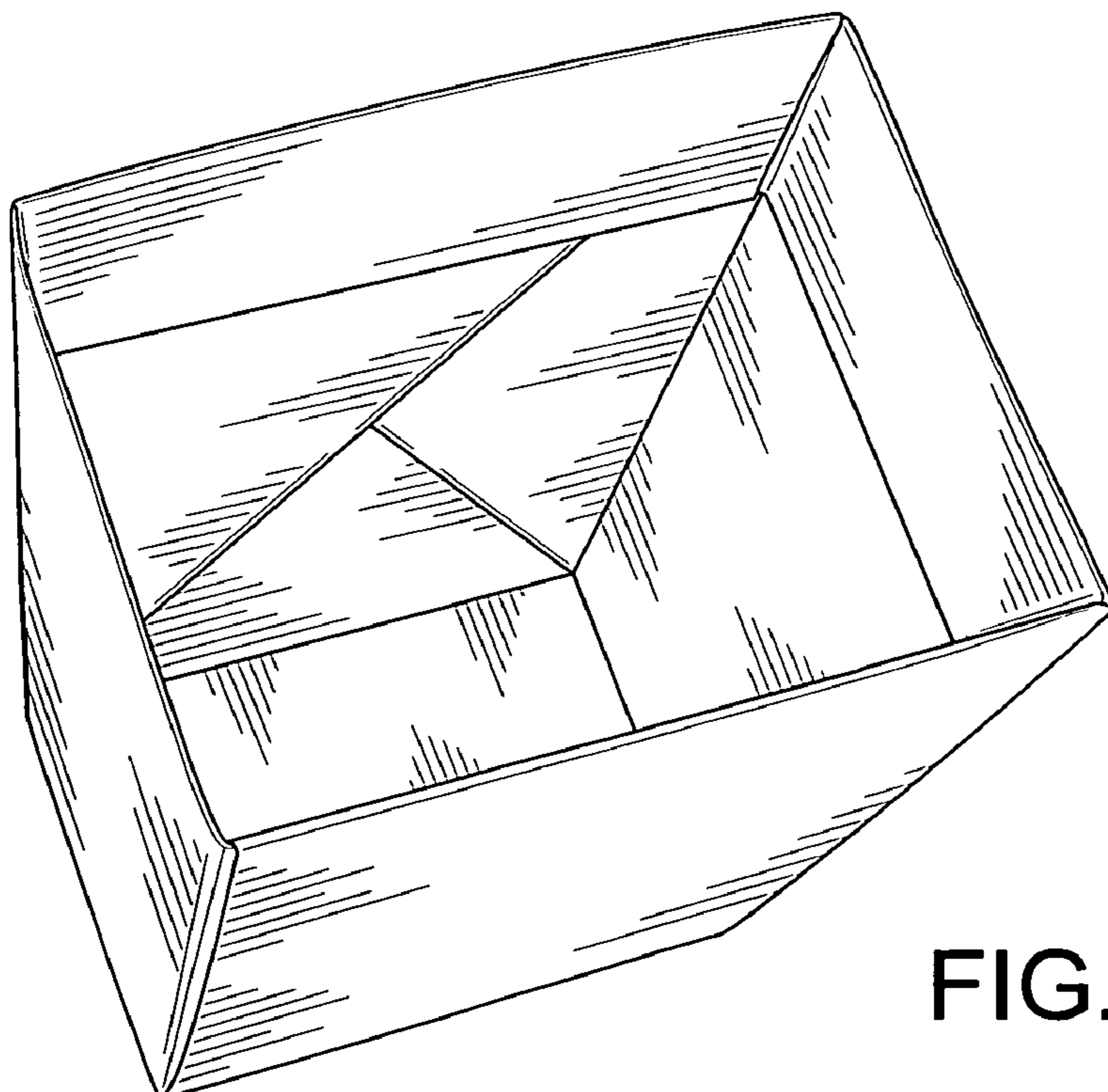


FIG. 7