



US00D649727S

(12) **United States Design Patent**
Memory et al.

(10) **Patent No.:** **US D649,727 S**
(45) **Date of Patent:** **** Nov. 29, 2011**

- (54) **WASTEBASKET**
- (75) Inventors: **Susan H. Memory**, Richmond (CA);
Alex Feldman, Vancouver (CA)
- (73) Assignee: **Waste-Not-Basket, Inc.**, Richmond (CA)
- (**) Term: **14 Years**
- (21) Appl. No.: **29/359,574**
- (22) Filed: **Apr. 13, 2010**

D319,519 S *	8/1991	Keir	D34/7
D407,534 S	3/1999	Howard et al.	
6,024,240 A	2/2000	Howard et al.	
D430,372 S	8/2000	Howard et al.	
D446,374 S	8/2001	Howard et al.	
D446,619 S	8/2001	Howard et al.	
D447,303 S	8/2001	Howard et al.	
D450,413 S	11/2001	Howard et al.	
D453,405 S	2/2002	Howard	
D477,122 S	7/2003	Howard	
D539,998 S	4/2007	Andrade	
D554,320 S *	10/2007	Williams	D34/1
D576,839 S *	9/2008	Mansfield	D7/513
D578,265 S *	10/2008	Presnell	D34/1
D616,622 S *	5/2010	Memory et al.	D34/1

* cited by examiner

Related U.S. Application Data

- (62) Division of application No. 29/340,576, filed on Jul. 21, 2009, now Pat. No. Des. 616,622.

Primary Examiner — Cynthia Ramirez

(74) *Attorney, Agent, or Firm* — Oyen Wiggs Green & Mutala LLP

(30) **Foreign Application Priority Data**

- Jan. 27, 2009 (CA) 129452
- Jan. 27, 2009 (CA) 129453

(57) **CLAIM**

The ornamental design for a wastebasket, as shown and described.

- (51) **LOC (9) Cl.** **09-09**
- (52) **U.S. Cl.** **D34/1**
- (58) **Field of Classification Search** D34/1,
D34/4, 5, 6; D32/53; D3/311, 313; 220/908-911,
220/500; D9/341, 347, 431
See application file for complete search history.

DESCRIPTION

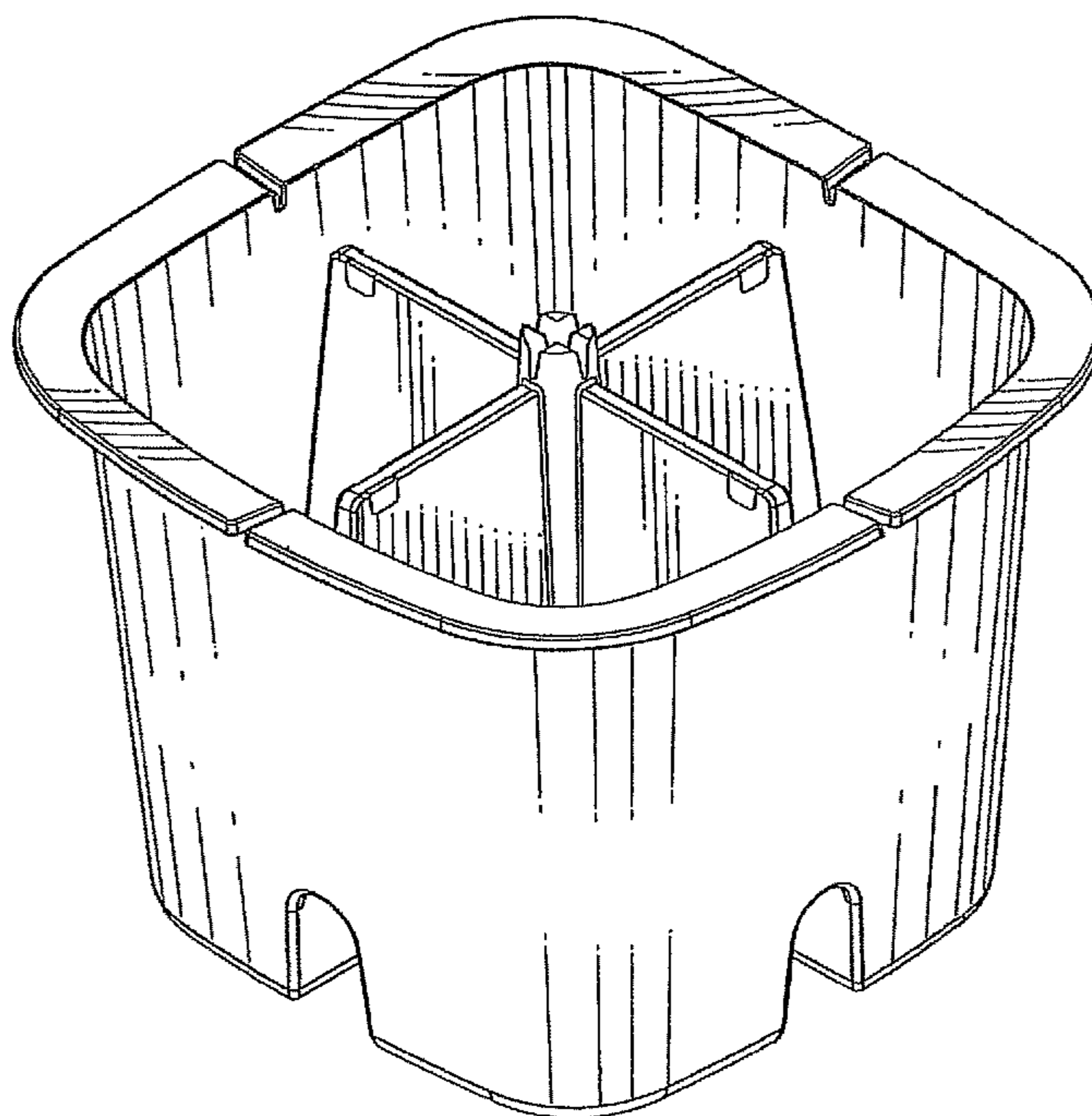
FIG. 1 is an upper side perspective view of the wastebasket; FIG. 2 is a lower side perspective view of the wastebasket of FIG. 1; FIG. 3 is a front elevational view of the wastebasket of FIG. 1, the back, left and right side elevational views being identical thereto; FIG. 4 is a top plan view of the wastebasket of FIG. 1; and FIG. 5 is a bottom plan view of the wastebasket of FIG. 1.

(56) **References Cited**

U.S. PATENT DOCUMENTS

- D223,402 S 4/1972 McGoff
- 4,934,253 A * 6/1990 Berthold et al. 91/506
- 4,991,737 A * 2/1991 Edelman 220/525

1 Claim, 5 Drawing Sheets



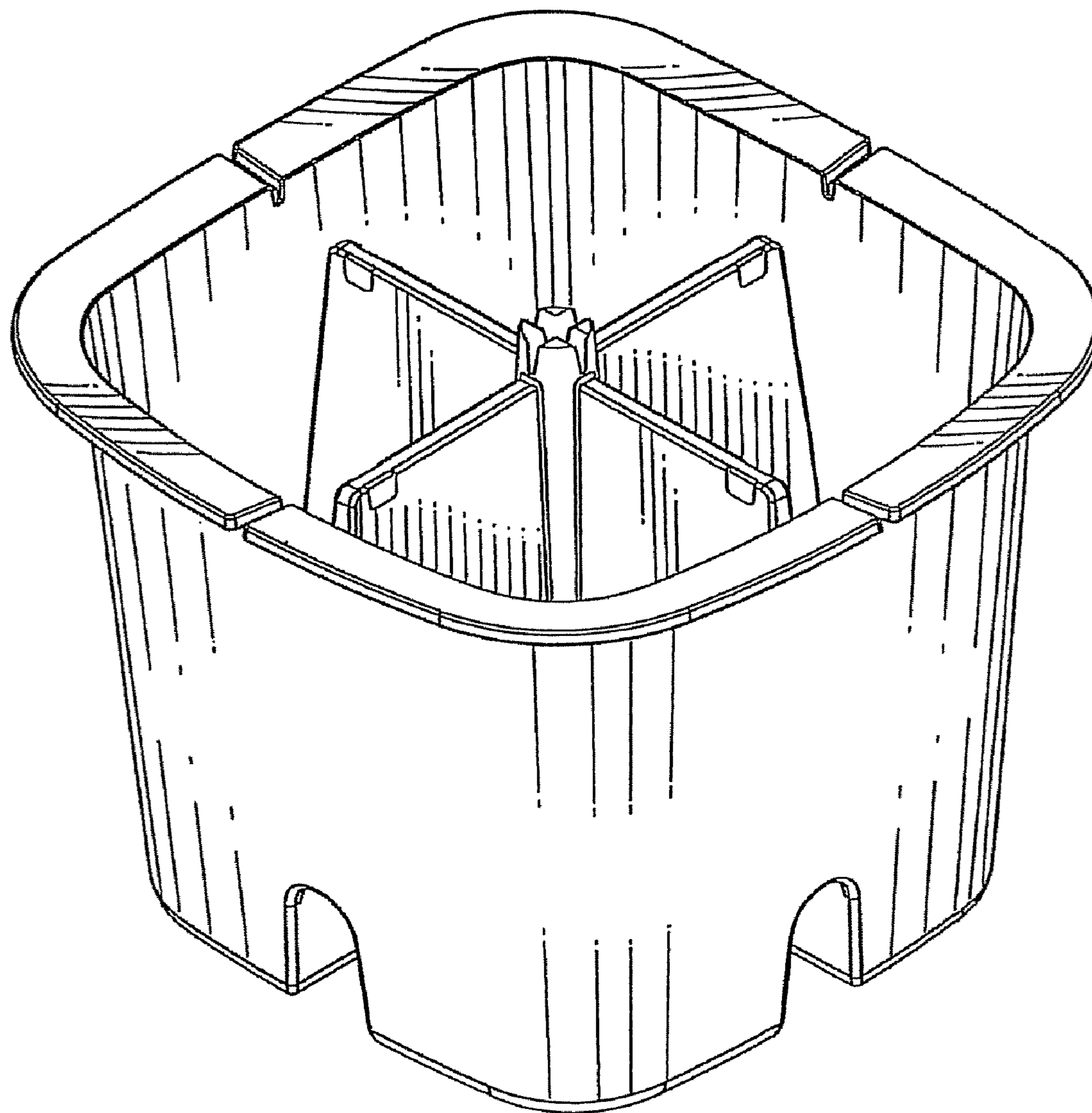


FIG. 1

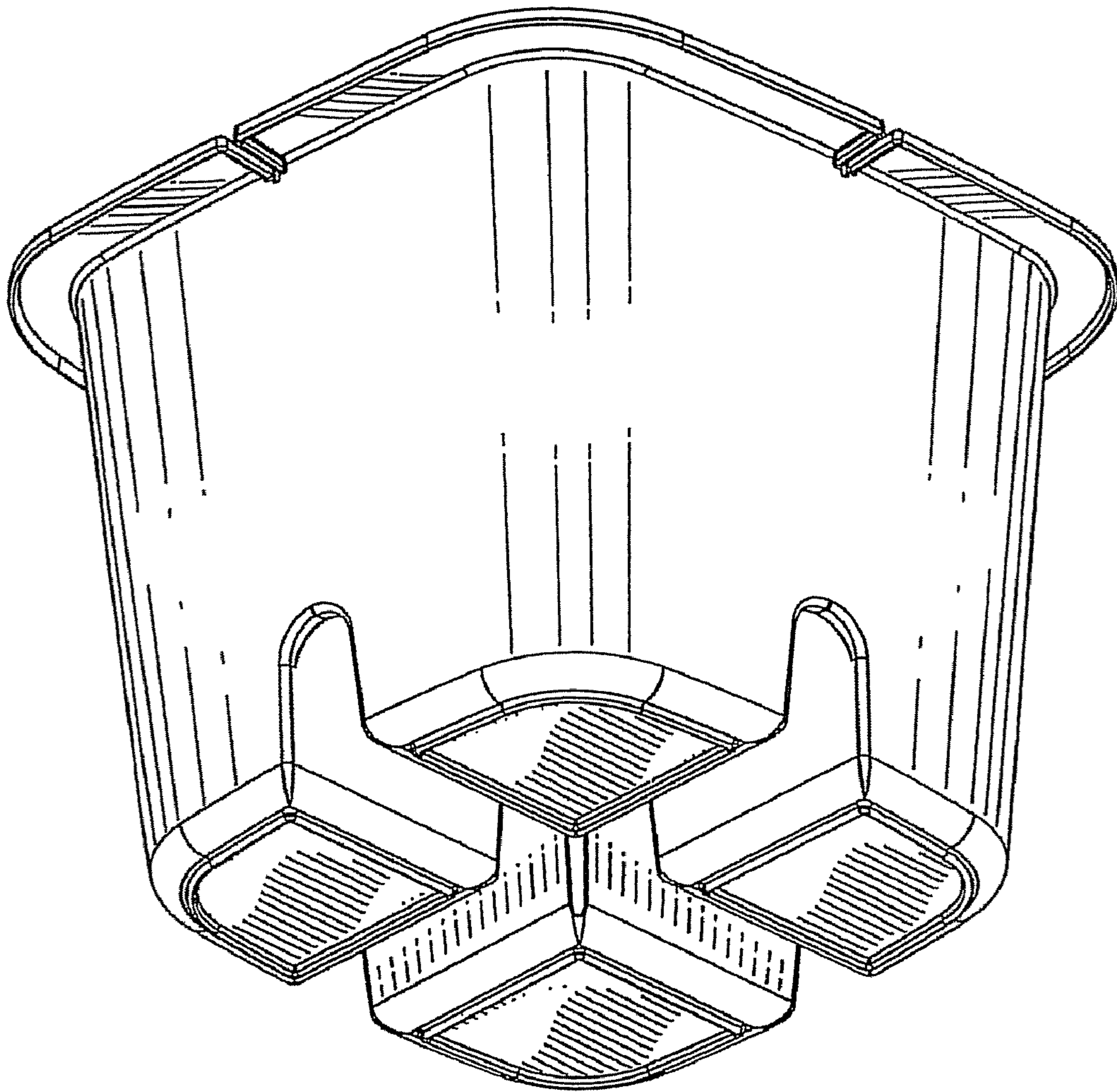


FIG. 2

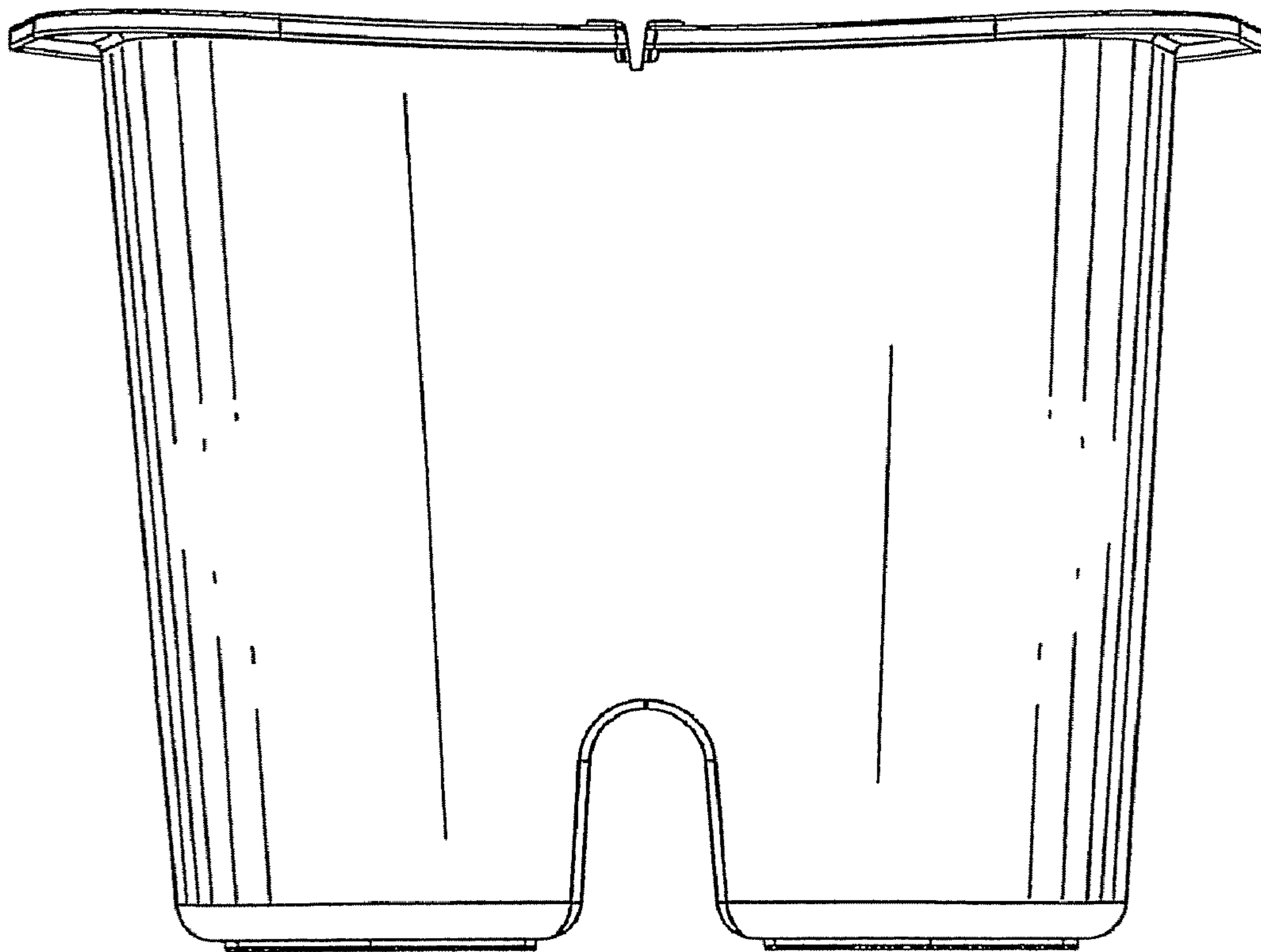


FIG. 3

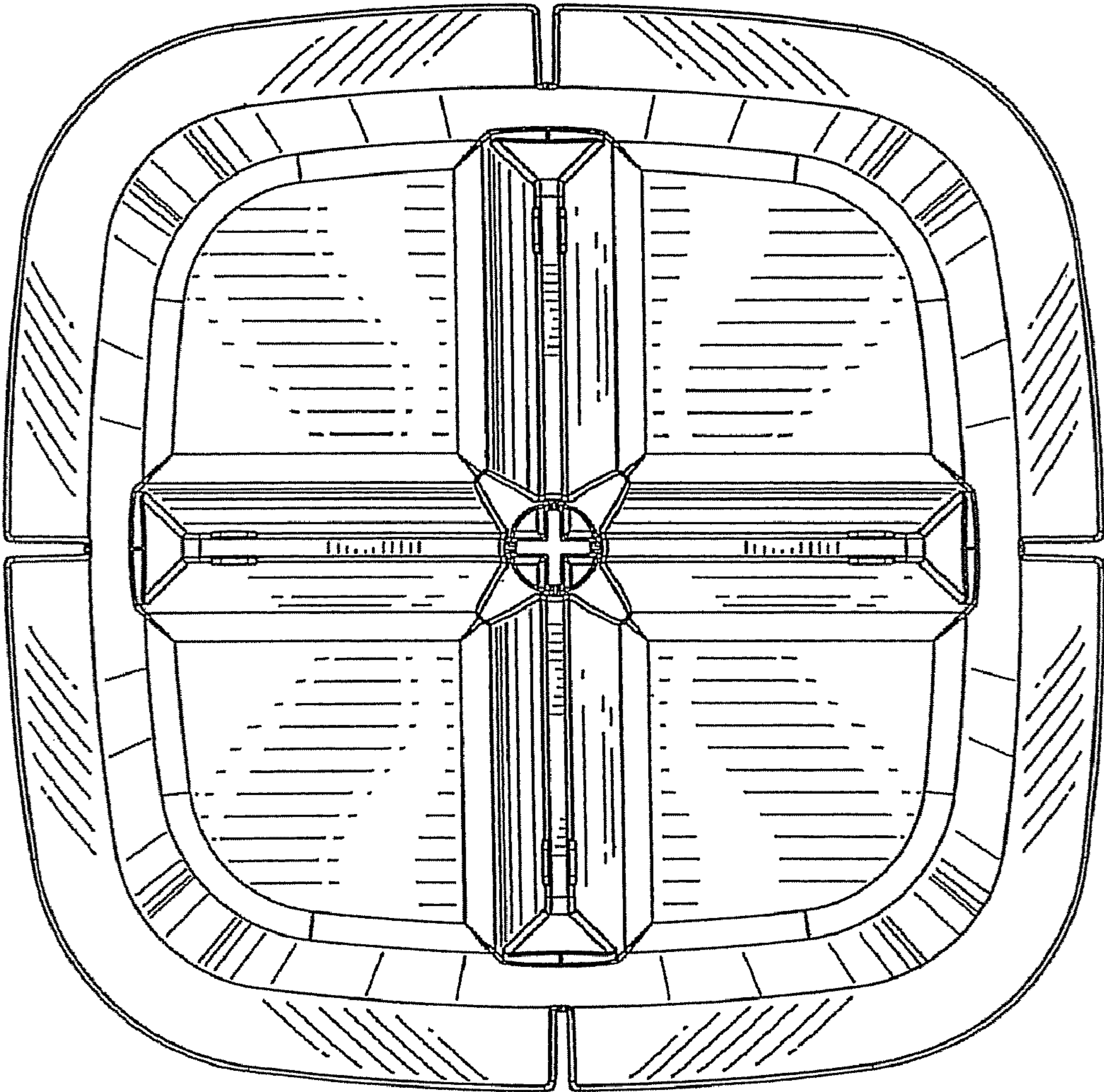


FIG. 4

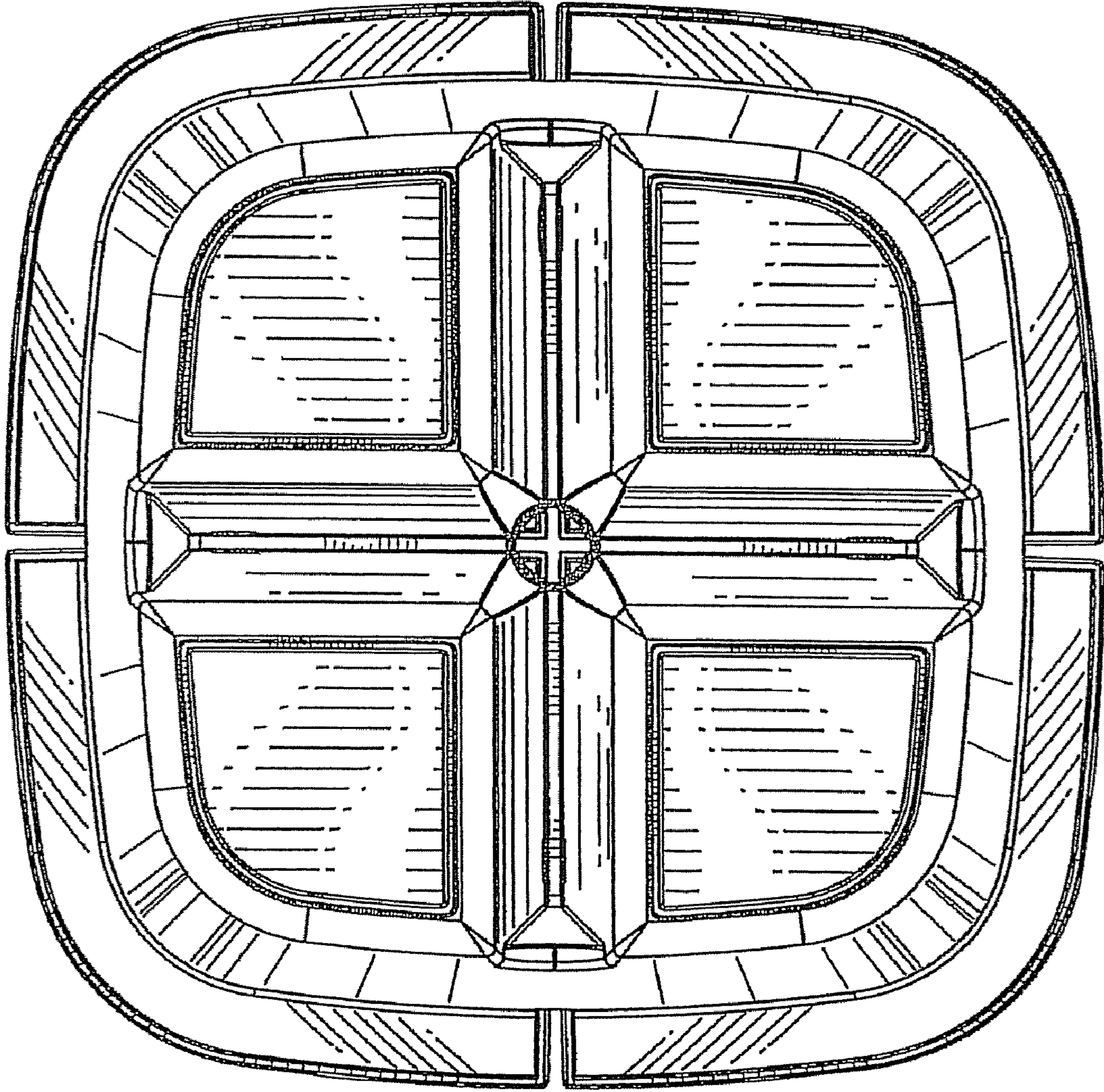


FIG. 5