



US00D649725S

(12) **United States Design Patent**  
**Fjellman**

(10) **Patent No.:** **US D649,725 S**

(45) **Date of Patent:** **\*\* Nov. 29, 2011**

- (54) **BASE FOR A VACUUM CLEANER**
- (75) Inventor: **Oskar Fjellman**, Stockholm (SE)
- (73) Assignee: **Aktiebolaget Electrolux**, Stockholm (SE)
- (\*\*) Term: **14 Years**
- (21) Appl. No.: **29/385,629**
- (22) Filed: **Feb. 17, 2011**

D483,160 S	12/2003	Houghton	
D495,456 S	8/2004	Agren et al.	
D502,578 S	3/2005	Roschi	
D507,387 S	7/2005	Jacobs	
D507,854 S	* 7/2005	Kim	D32/32
D511,231 S	* 11/2005	Langham et al.	D32/33
D518,933 S	* 4/2006	Courtney	D32/32
D525,755 S	7/2006	Simmonds	
D543,325 S	5/2007	Burnham	
D545,011 S	6/2007	Agren et al.	
D548,905 S	8/2007	Bobrosky	
D561,415 S	2/2008	Tavano	
D565,266 S	3/2008	Crevling, Jr. et al.	
D565,814 S	4/2008	Agren et al.	
D565,816 S	4/2008	Agren et al.	
D574,563 S	8/2008	Fjellman et al.	

(Continued)

**Related U.S. Application Data**

- (62) Division of application No. 29/326,599, filed on Oct. 21, 2008, now Pat. No. Des. 635,728.
- (51) **LOC (9) Cl.** ..... **15-05**
- (52) **U.S. Cl.** ..... **D32/32**
- (58) **Field of Classification Search** ..... D32/31-34, D32/22; 15/320-321, 400, 377, 410-412, 15/414, 329, 335, 415.1-422.1, 327.1; 285/7; 16/110.1

See application file for complete search history.

**FOREIGN PATENT DOCUMENTS**

AU 200720593 12/2007

(Continued)

*Primary Examiner* — Ruth McInroy

(74) *Attorney, Agent, or Firm* — Banner & Witcoff, Ltd.

(57) **CLAIM**

The ornamental design for a base for a vacuum cleaner, as shown and described.

(56) **References Cited**

**U.S. PATENT DOCUMENTS**

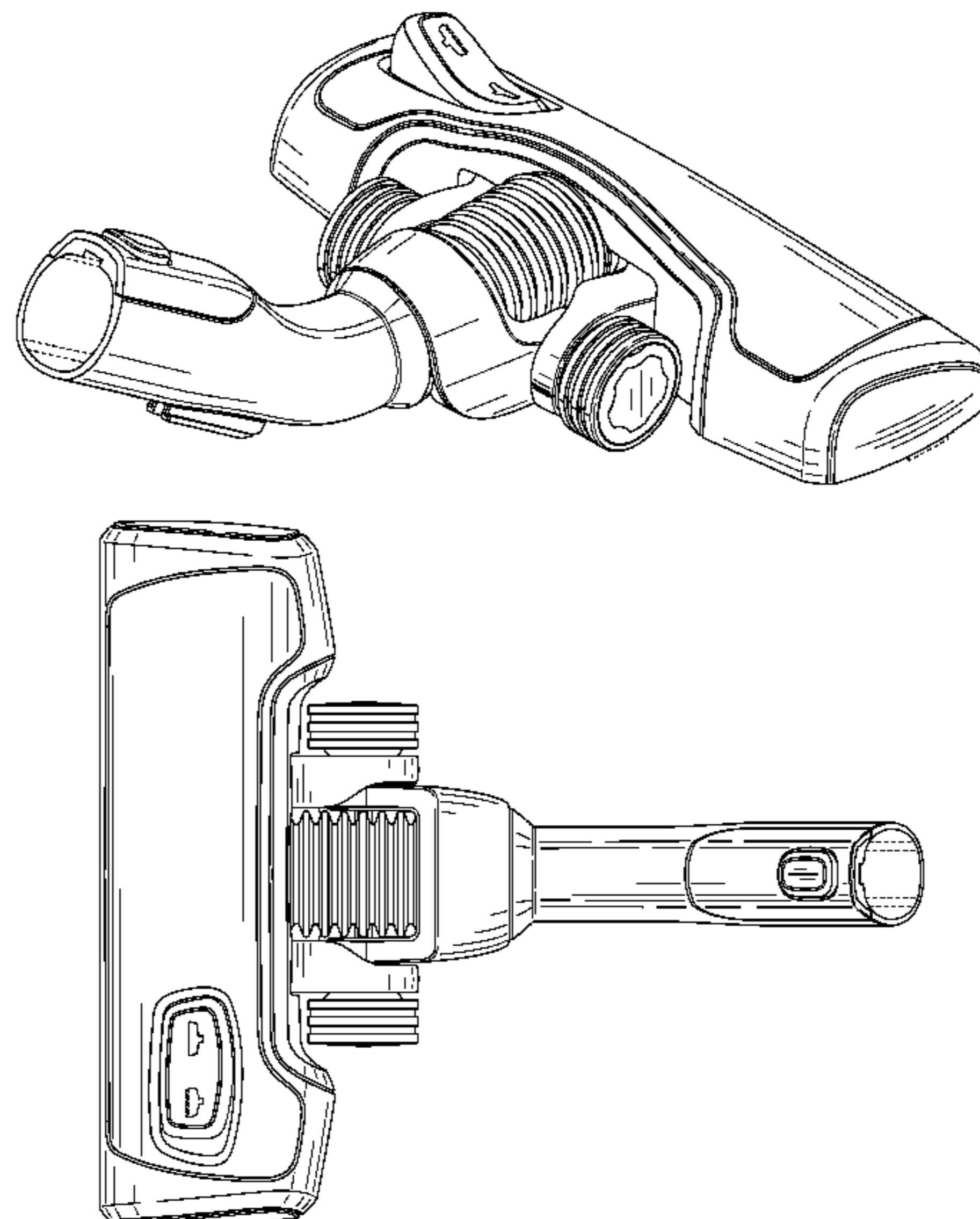
D303,173 S	8/1989	Miyamoto et al.	
D315,043 S	2/1991	Hayden	
D333,023 S	2/1993	Herron, Jr.	
D334,447 S	3/1993	Rohn	
D398,097 S	9/1998	Murphy et al.	
D426,356 S	6/2000	Tsuruha	
D427,737 S	* 7/2000	Dyson et al.	D32/32
D429,044 S	8/2000	Saunders et al.	
D429,392 S	8/2000	Maruyama et al.	
D431,335 S	9/2000	Mchaffey et al.	
D433,546 S	11/2000	Milanese	
D453,866 S	2/2002	Nighy et al.	
D457,696 S	* 5/2002	Worwag	D32/32
D470,983 S	2/2003	Svaldi	
D477,445 S	7/2003	Schroter	
D480,848 S	10/2003	Smith et al.	

**DESCRIPTION**

FIG. 1 is a perspective view of a base for a vacuum cleaner showing my new design;  
 FIG. 2 is a top plan view thereof;  
 FIG. 3 is a front view thereof;  
 FIG. 4 is a bottom view thereof;  
 FIG. 5 is a right side view thereof;  
 FIG. 6 is a left side view thereof; and,  
 FIG. 7 is a rear view thereof.

The broken lines shown in the figures represent portions of the vacuum cleaner base that form no part of the claimed design.

**1 Claim, 7 Drawing Sheets**



# US D649,725 S

Page 2

---

## U.S. PATENT DOCUMENTS

D577,165 S 9/2008 Quance et al.  
D580,116 S 11/2008 Santiago et al.  
D582,111 S 12/2008 Agren et al.  
D591,918 S 5/2009 Vaggas  
D598,616 S 8/2009 Crawley  
D608,513 S 1/2010 Ho  
D611,665 S 3/2010 Braithwaite  
D613,469 S 4/2010 Agren

D616,164 S \* 5/2010 McLeod et al. .... D32/32  
2009/0064448 A1 3/2009 Oh et al.  
2010/0050367 A1 3/2010 Tsai

## FOREIGN PATENT DOCUMENTS

EM 000184759 2/2004  
EM 000298005 5/2007

\* cited by examiner

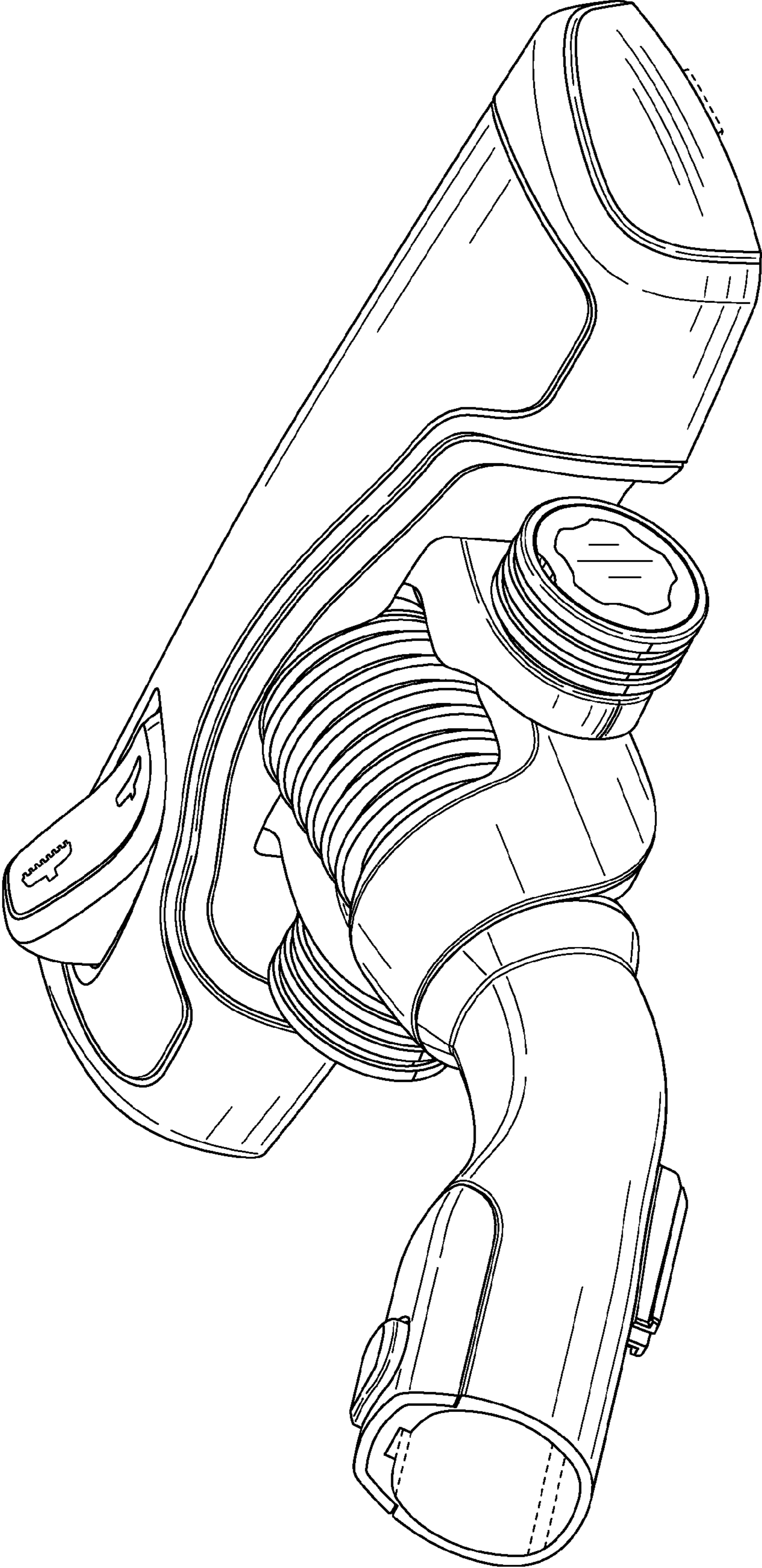


FIG. 1

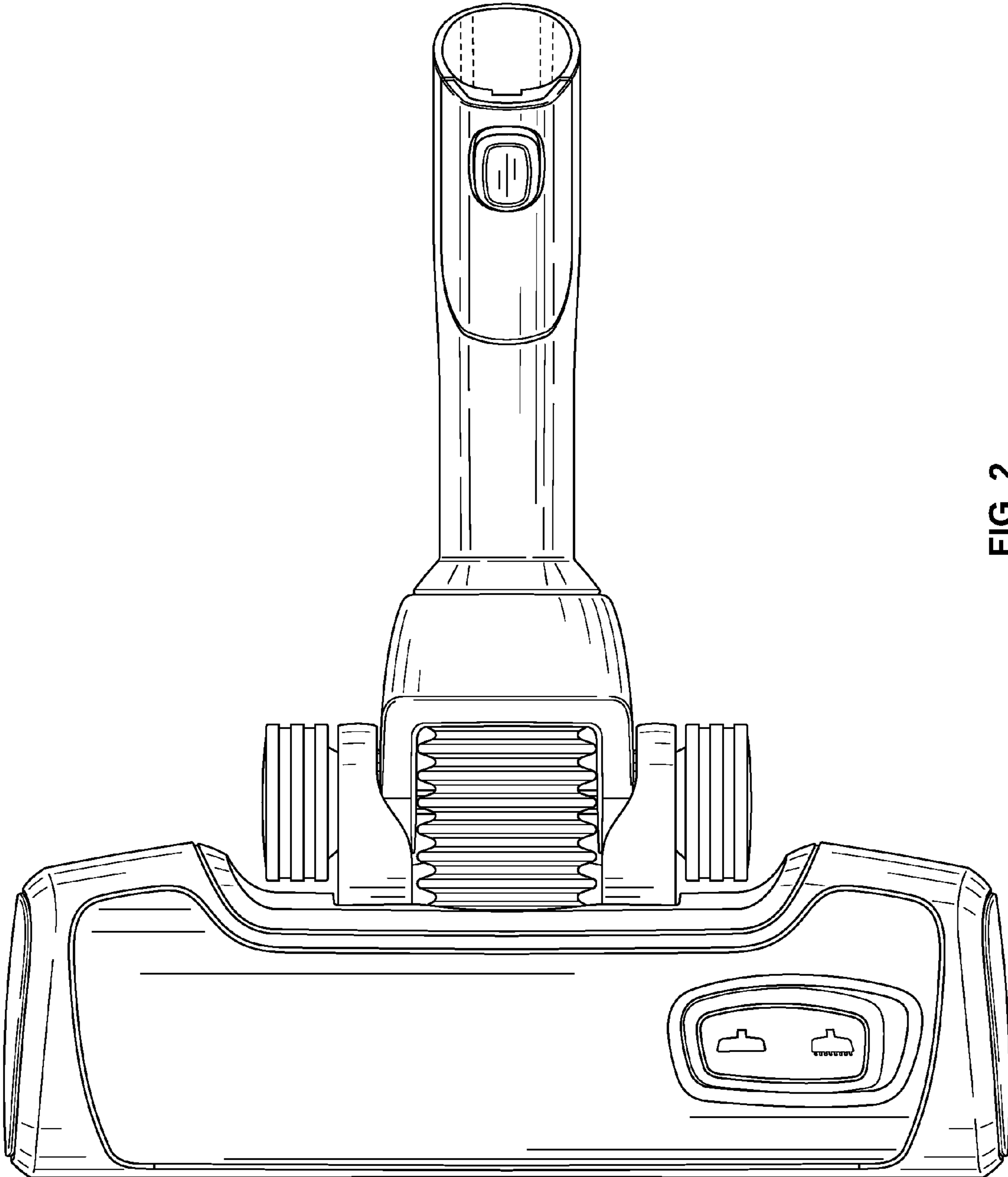


FIG. 2

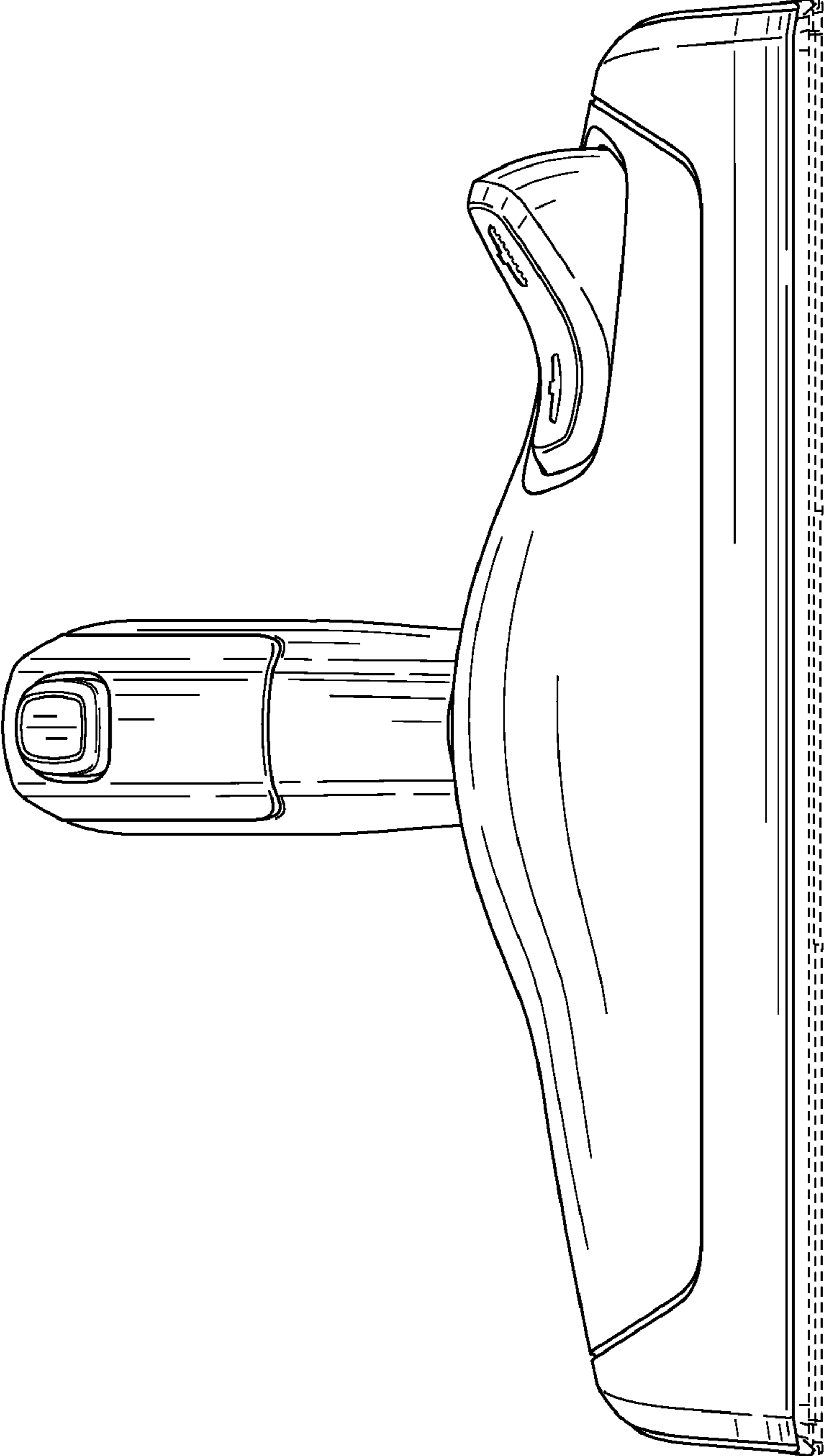


FIG. 3



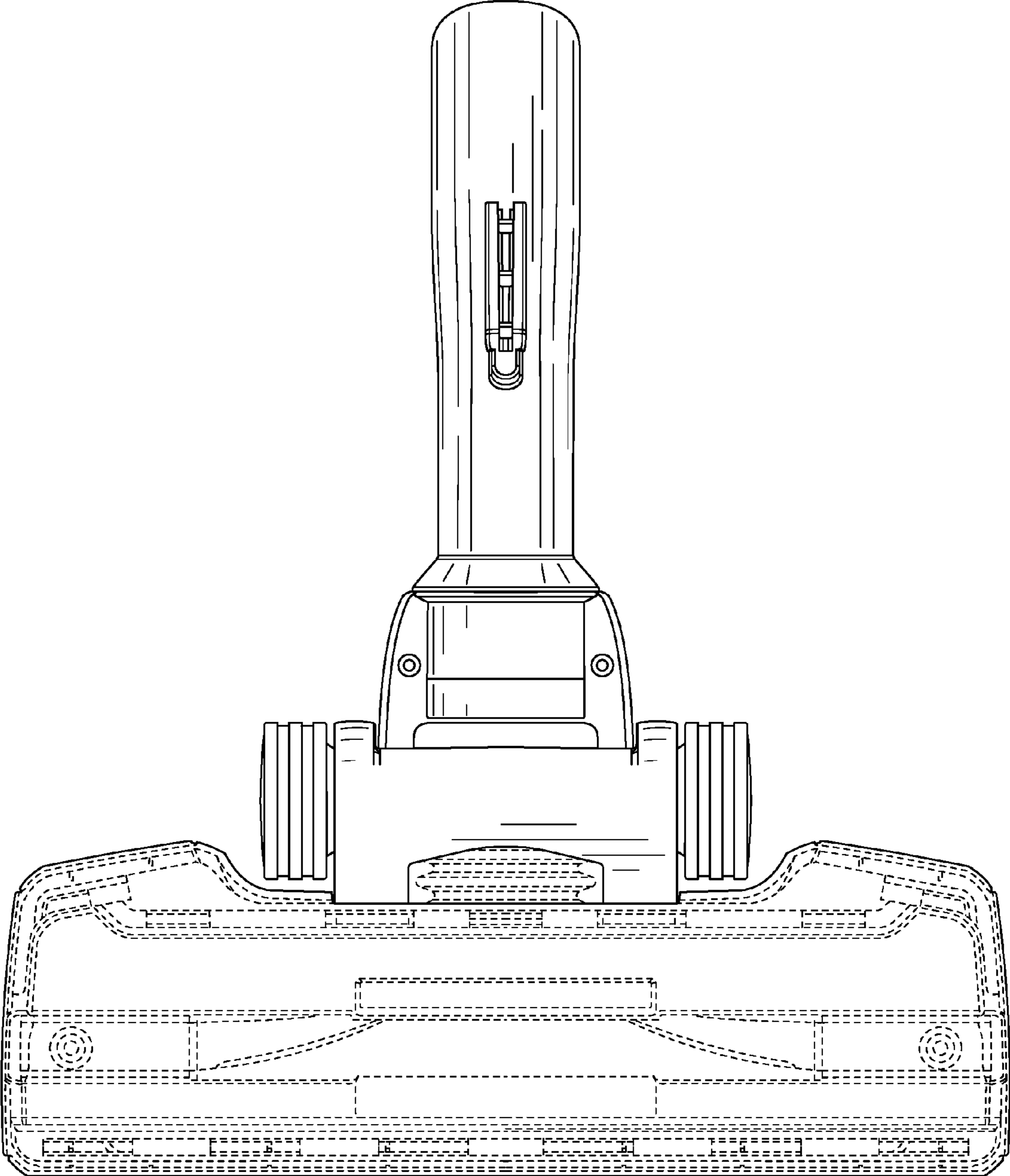


FIG. 4

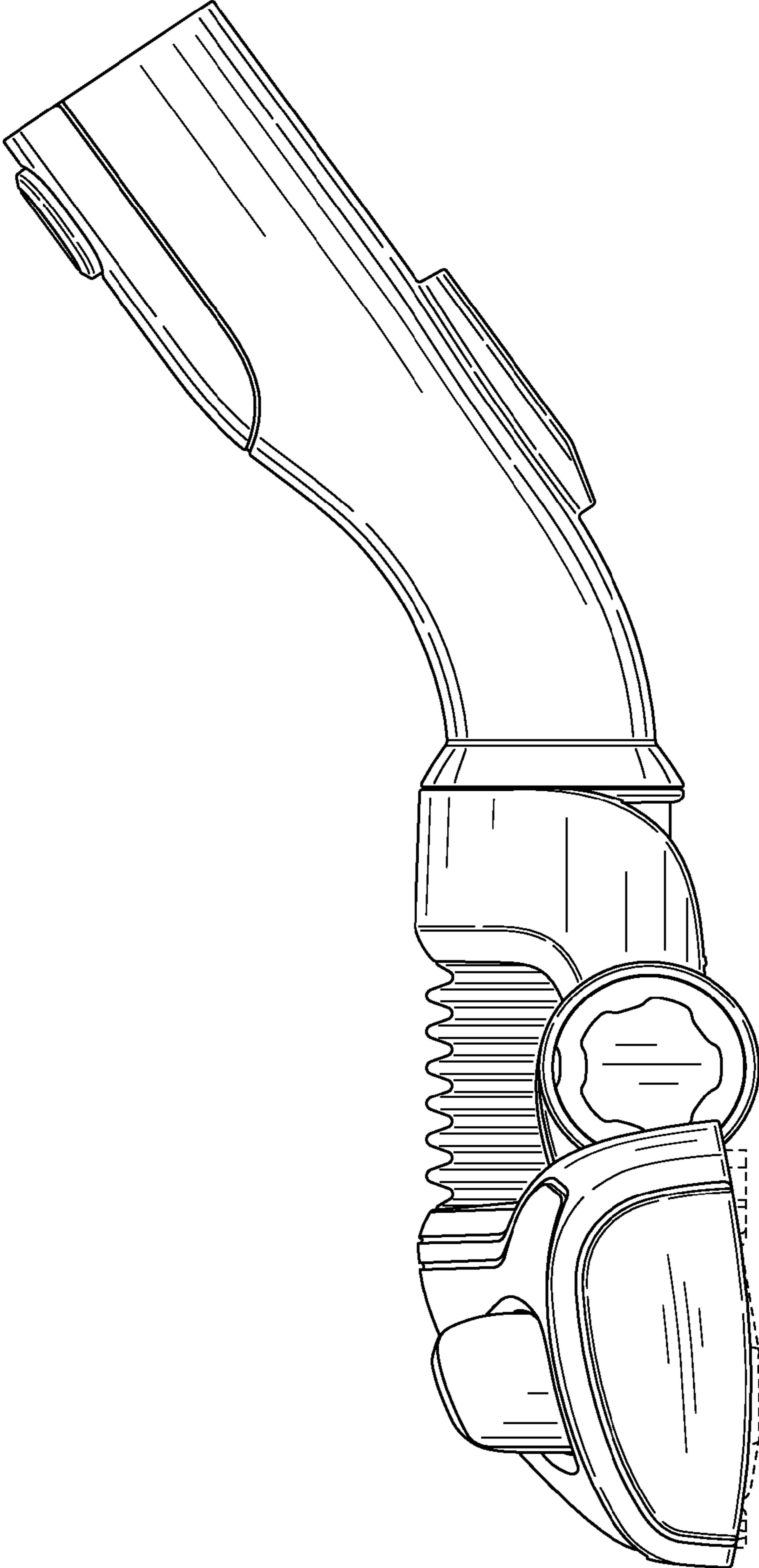


FIG. 5

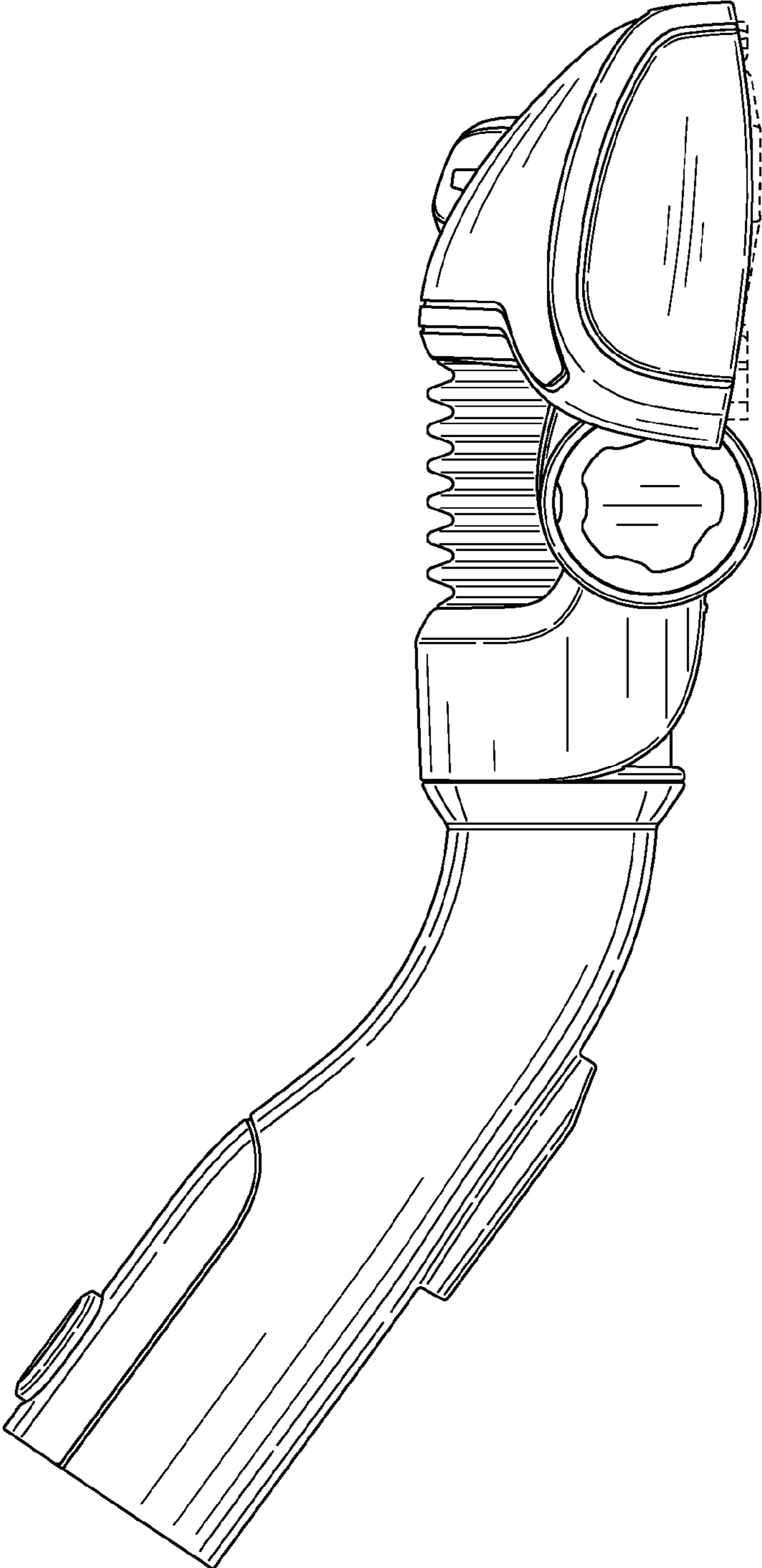


FIG. 6



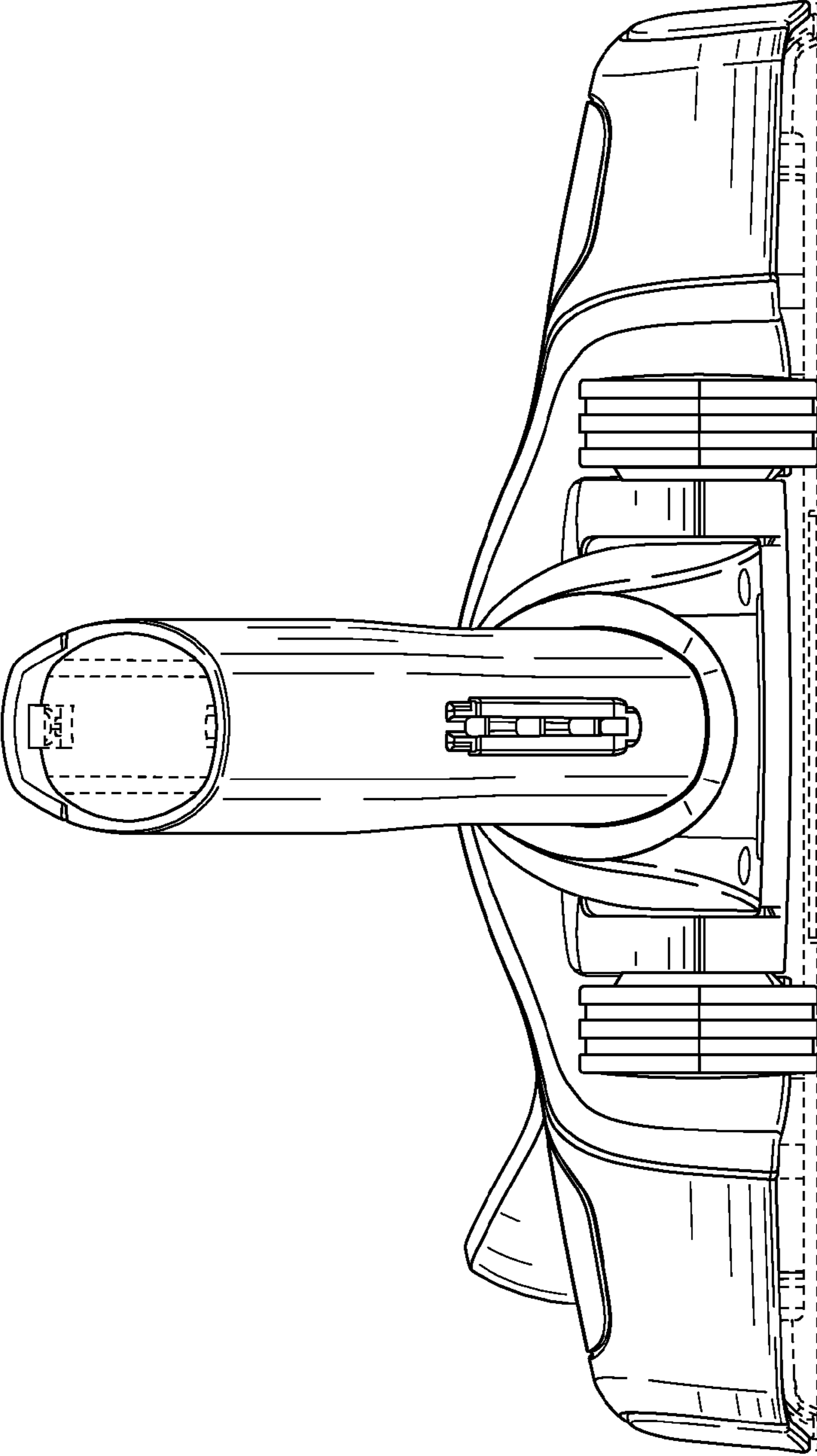


FIG. 7