



US00D649722S

(12) **United States Design Patent**
Chung et al.

(10) **Patent No.:** **US D649,722 S**
(45) **Date of Patent:** **** Nov. 29, 2011**

(54) **WASHING MACHINE**

(75) Inventors: **Wookjun Chung**, Seoul (KR); **Jonghee Han**, Gyeonggi-do (KR); **Jeaseok Seong**, Gyeonggi-do (KR); **Yoonsang Kim**, Seoul (KR); **Kyunga Lee**, Gyeonggi-do (KR)

(73) Assignee: **LG Electronics Inc.**, Seoul (KR)

(**) Term: **14 Years**

(21) Appl. No.: **29/390,701**

(22) Filed: **Apr. 28, 2011**

(30) **Foreign Application Priority Data**

Apr. 8, 2011 (KR) 30-2011-0014356

(51) **LOC (9) Cl.** **15-05**

(52) **U.S. Cl.** **D32/6**

(58) **Field of Classification Search** D32/1,
D32/5, 6, 8; 34/58, 108, 130-131, 523, 595-597,
34/603; 68/3 R, 4, 5 R, 12.01, 12.08, 212
See application file for complete search history.

(56) **References Cited**

U.S. PATENT DOCUMENTS

D584,865 S * 1/2009 Kim et al. D32/6
D585,165 S * 1/2009 Kim et al. D32/6

D589,215 S * 3/2009 Cho et al. D32/6
D614,821 S * 4/2010 Cho et al. D32/6
D618,865 S * 6/2010 Cline et al. D32/6
D619,313 S * 7/2010 Cline et al. D32/25
D627,114 S * 11/2010 Jeon et al. D32/6
D627,115 S * 11/2010 Jeon et al. D32/6
D627,529 S * 11/2010 Jeon et al. D32/6
D631,623 S * 1/2011 Chung et al. D32/6
D634,492 S * 3/2011 Chung et al. D32/6
D635,313 S * 3/2011 Jeon et al. D32/6

* cited by examiner

Primary Examiner — T. Chase Nelson

Assistant Examiner — Kathleen M Sims

(74) *Attorney, Agent, or Firm* — Birch, Stewart, Kolasch & Birch, LLP

(57) **CLAIM**

The ornamental design for a washing machine, as shown and described.

DESCRIPTION

FIG. 1 is a top, front, perspective view of a washing machine showing our new design;
FIG. 2 is a front view thereof;
FIG. 3 is a rear view thereof;
FIG. 4 is a left side view thereof;
FIG. 5 is a right side view thereof;
FIG. 6 is a top view thereof; and,
FIG. 7 is a bottom view thereof.

1 Claim, 7 Drawing Sheets

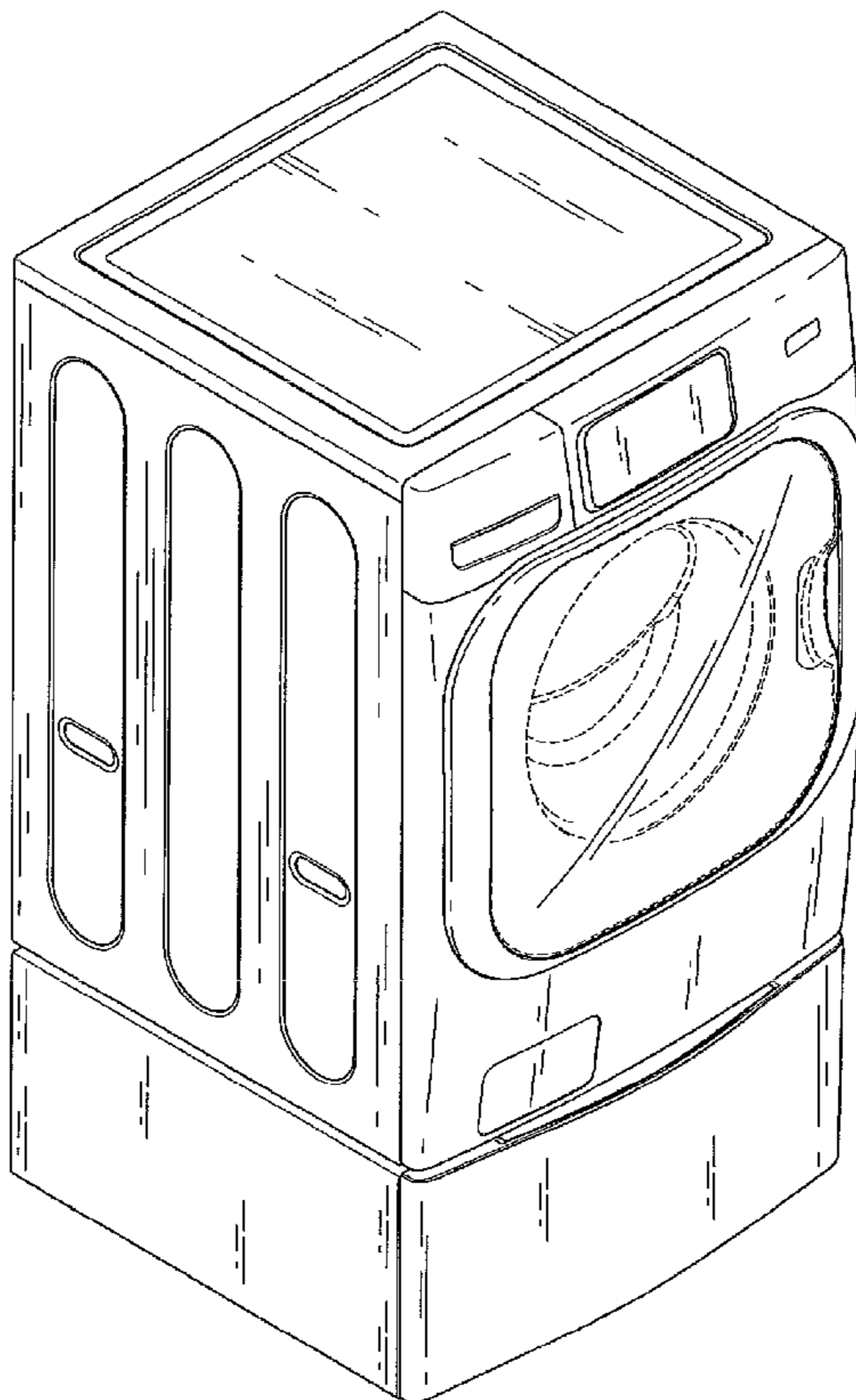


FIG. 1

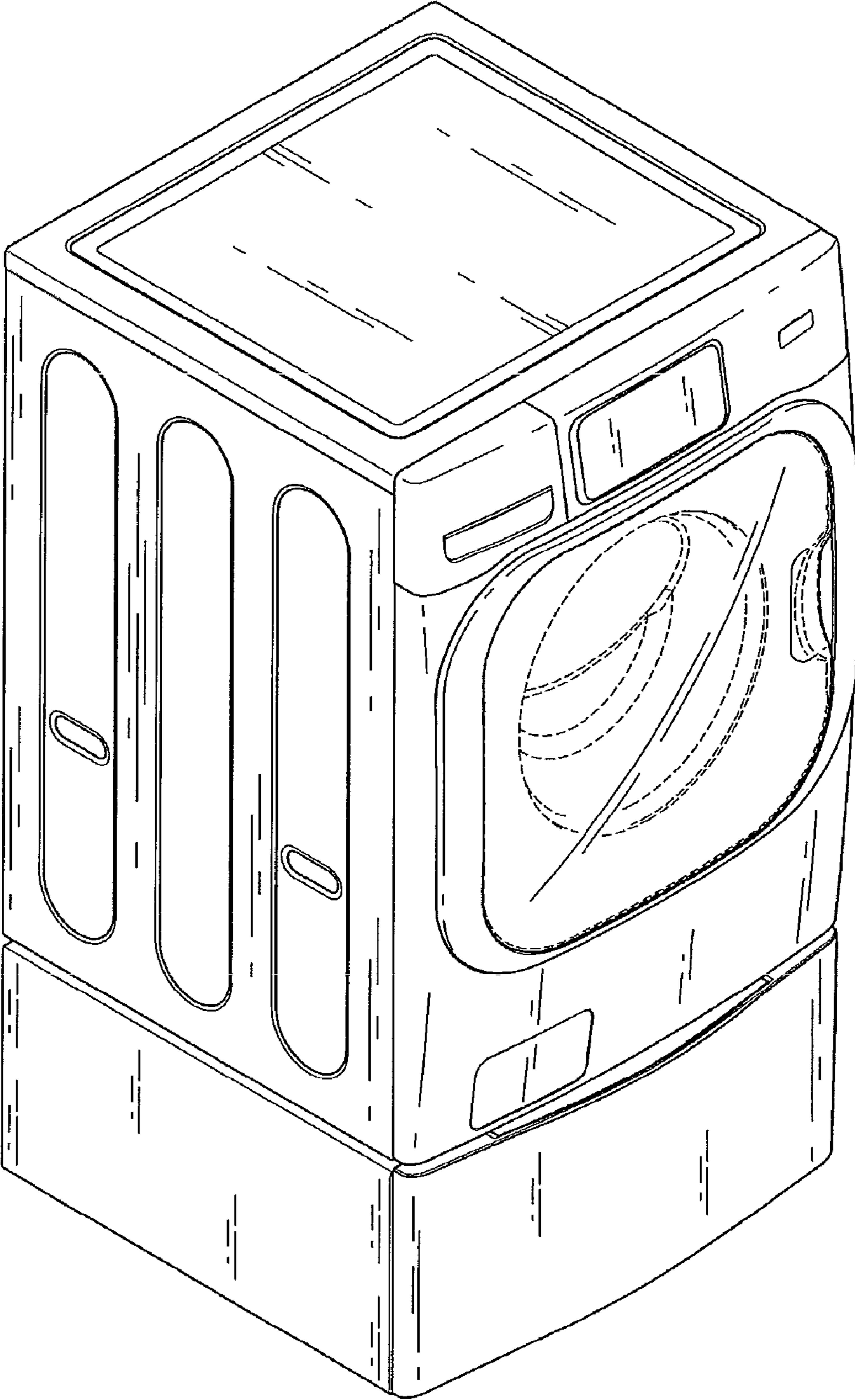


FIG. 2

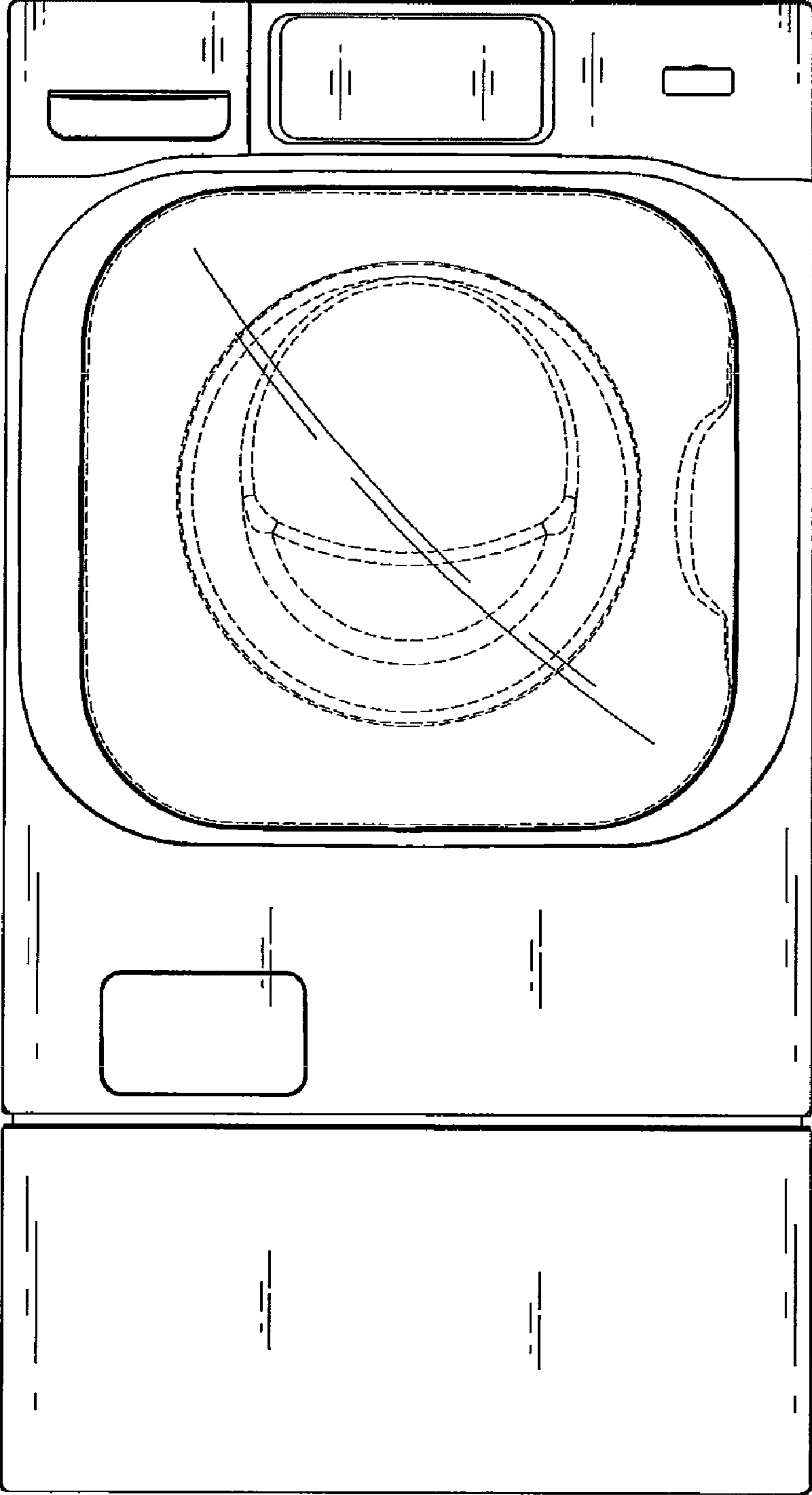


FIG. 3

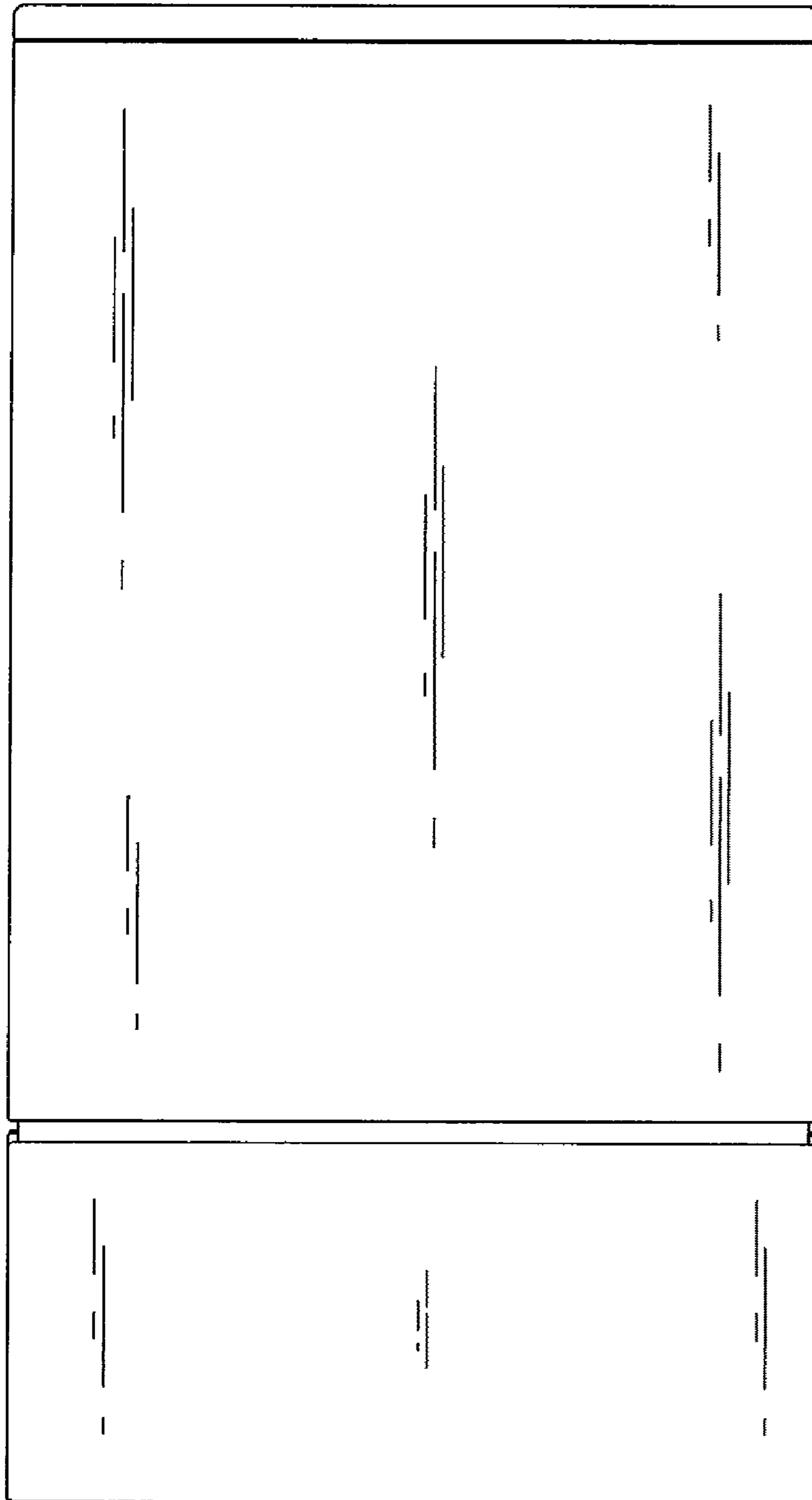


FIG. 4

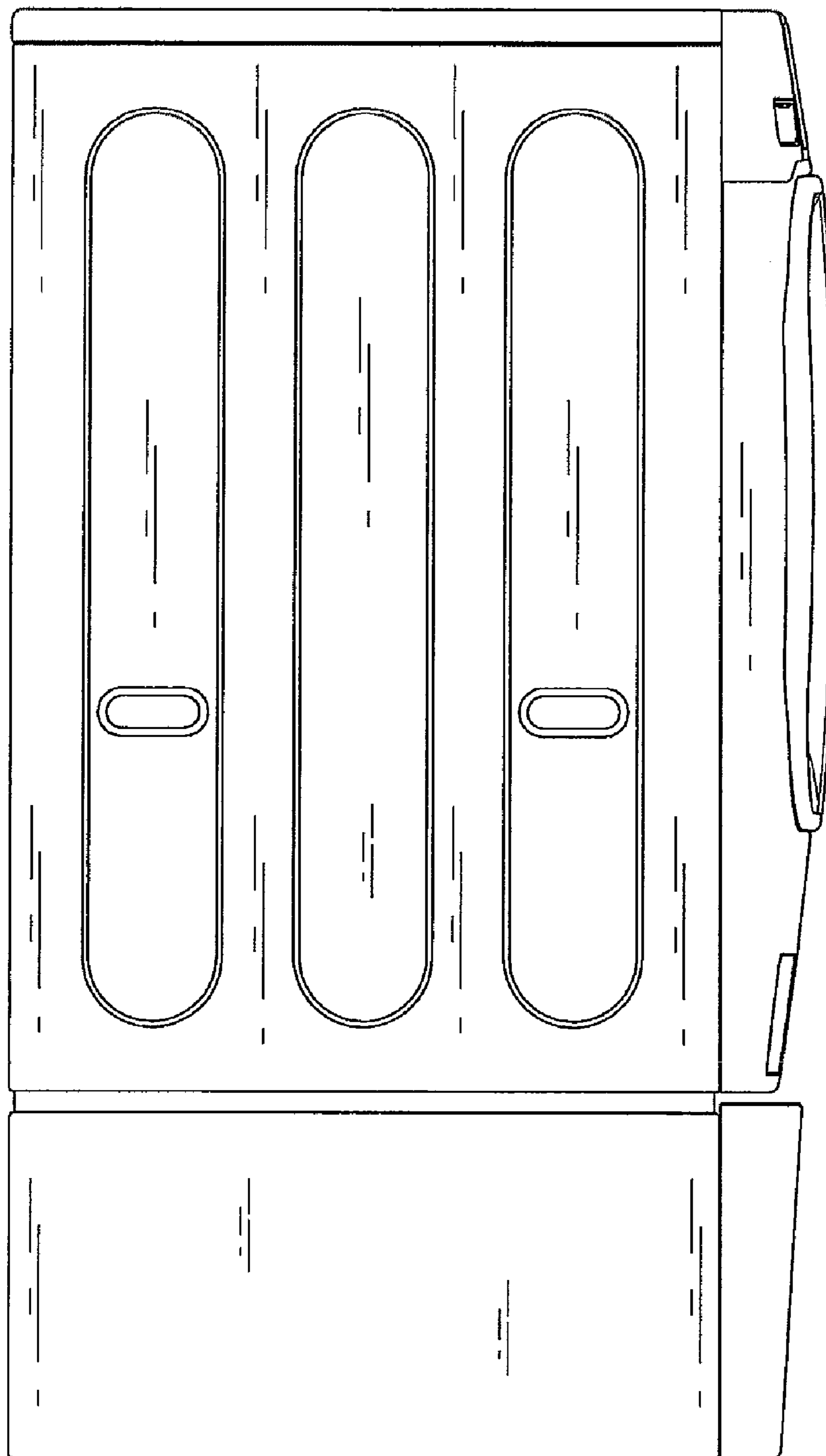


FIG. 5

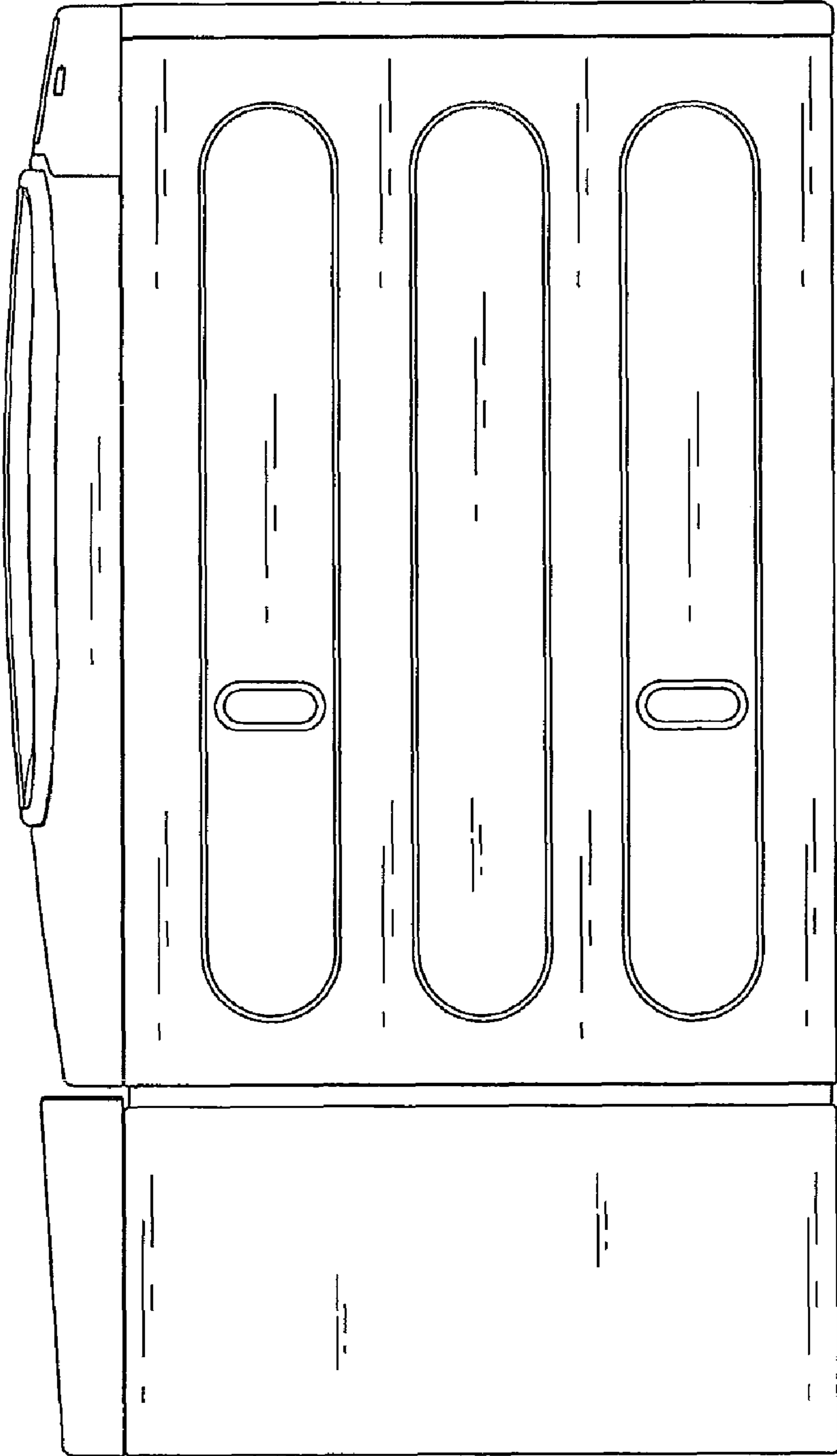


FIG. 6

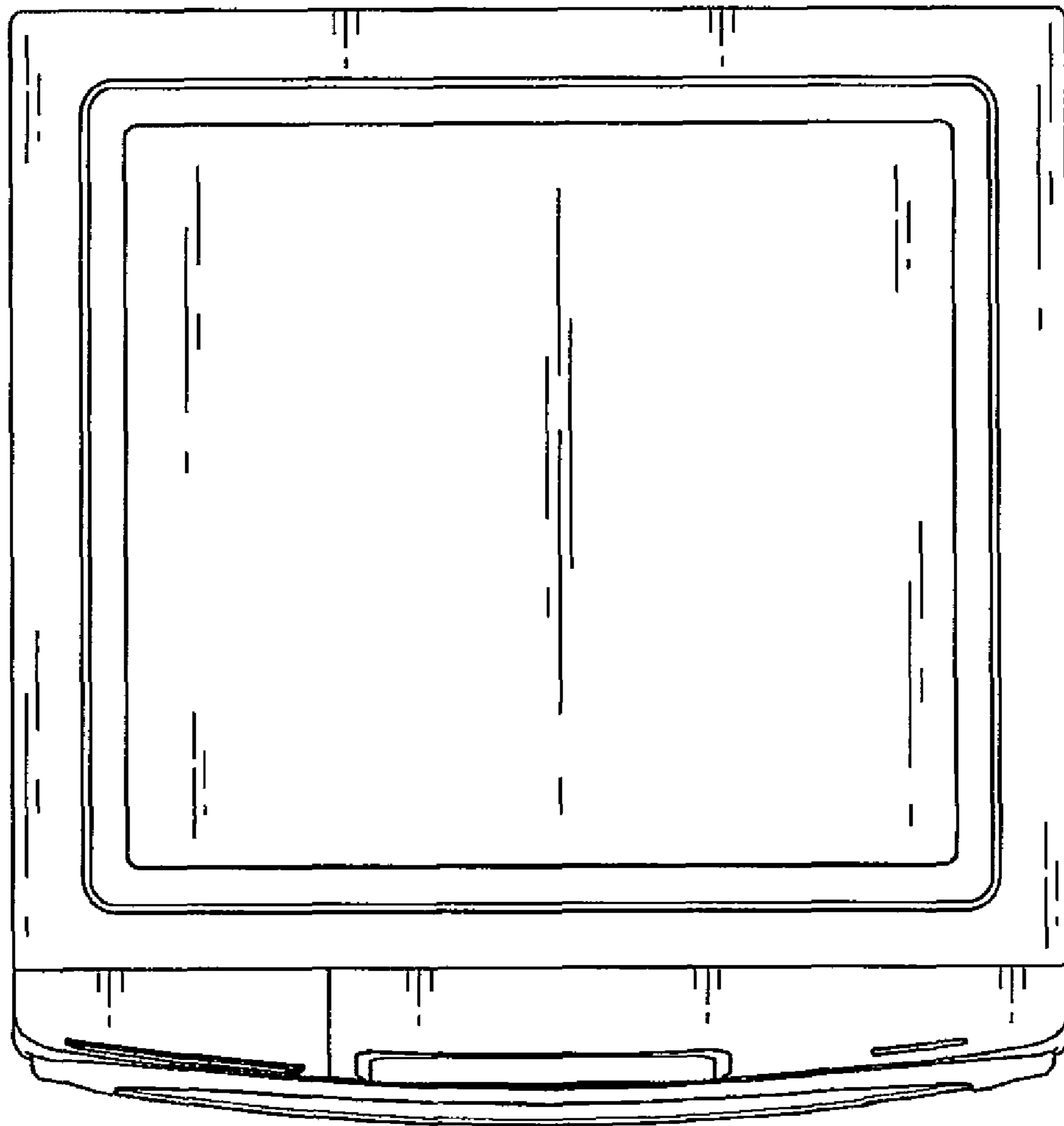


FIG. 7

