



US00D649719S

(12) **United States Design Patent**
Siklosi et al.

(10) **Patent No.:** **US D649,719 S**
(45) **Date of Patent:** **** Nov. 29, 2011**

- (54) **PET CARRIER WITH SEAT BELT LOOP SYSTEM**
- (75) Inventors: **Tibor Siklosi**, Grove, OK (US); **David Price**, Miami, OK (US)
- (73) Assignee: **Bergan, LLC**, Monkey Island, OK (US)
- (**) Term: **14 Years**
- (21) Appl. No.: **29/382,153**
- (22) Filed: **Dec. 29, 2010**

5,941,195 A	8/1999	Martz
6,021,740 A	2/2000	Martz
6,082,305 A	7/2000	Burns et al.
6,155,206 A	12/2000	Godshaw
6,286,461 B1	9/2001	Martz
6,523,499 B1	2/2003	Chrisco et al.
6,571,740 B1	6/2003	Kinder et al.
6,619,447 B1 *	9/2003	Garcia et al. 190/108

(Continued)

Primary Examiner — T. Chase Nelson
Assistant Examiner — Ania Aman
 (74) *Attorney, Agent, or Firm* — Head, Johnson & Kachigian, PC

Related U.S. Application Data

- (63) Continuation-in-part of application No. 12/167,730, filed on Jul. 3, 2008, now abandoned.
- (51) **LOC (9) Cl.** **30-02**
- (52) **U.S. Cl.** **D30/109**
- (58) **Field of Classification Search** D30/108–120, D30/161, 199; 119/28.5, 161–170, 496–499, 119/502, 512–513, 712, 452–456, 459, 461, 119/472, 474–485, 489, 473, 500, 501; D3/213–217, D3/273, 276, 289, 301, 303
See application file for complete search history.

(57) **CLAIM**

The ornamental design for a pet carrier with seat belt loop system, as shown and described.

DESCRIPTION

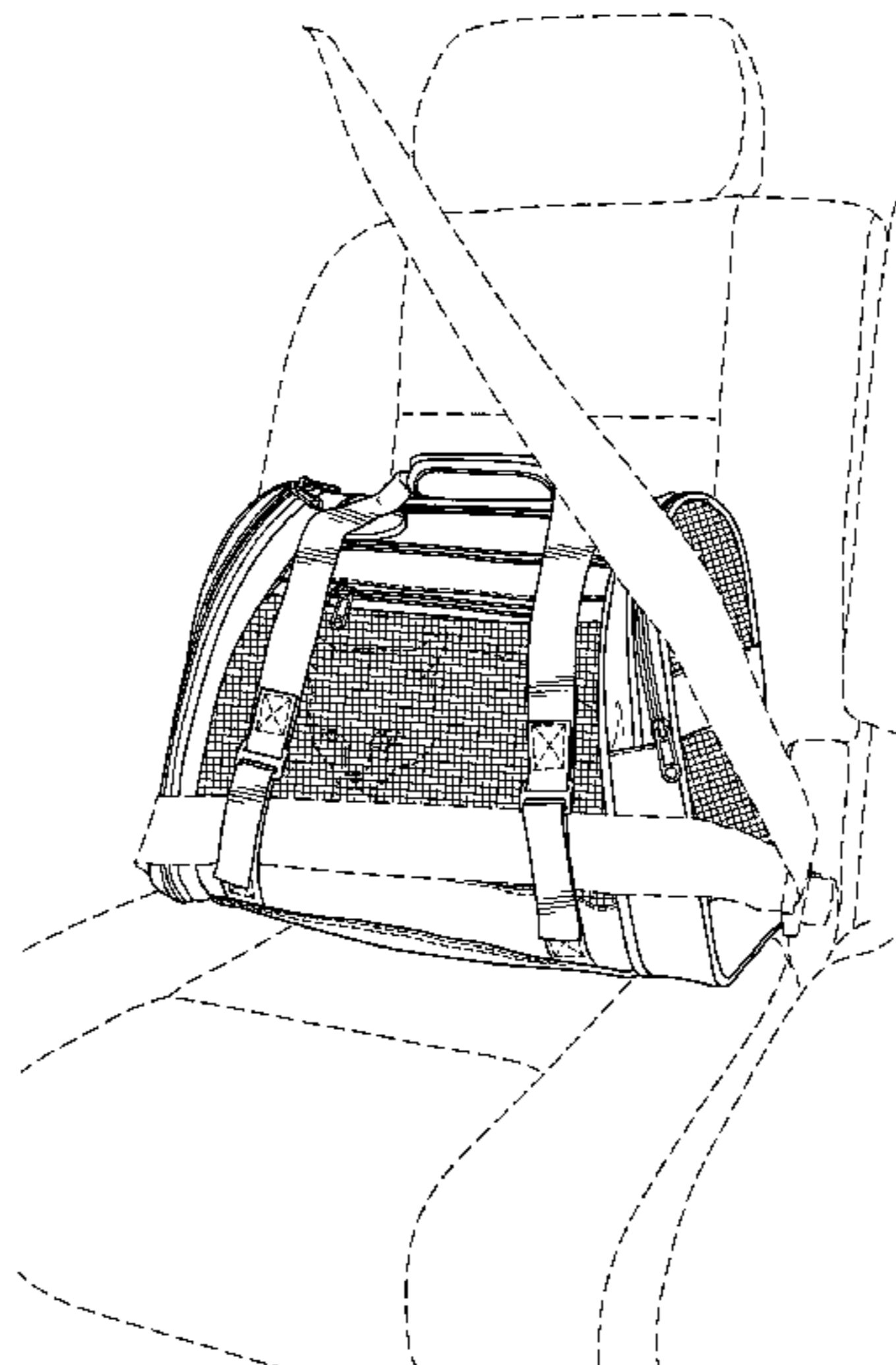
FIG. 1 is a perspective view of the pet carrier with seat belt loop system engaging a vehicle seat belt, wherein the seat, seat belt, and cat shown in dashed lines form no part of the claimed invention;
 FIG. 2 is a front view of the pet carrier with seat belt loop system as shown in FIG. 1;
 FIG. 3 is a left side view of the pet carrier with seat belt loop system as shown in FIG. 1;
 FIG. 4 is a right side view of the pet carrier with seat belt loop system as shown in FIG. 1;
 FIG. 5 is a back view of the pet carrier with seat belt loop system as shown in FIG. 1;
 FIG. 6 is a bottom view of the pet carrier with seat belt loop system as shown in FIG. 1; and,
 FIG. 7 is a top view of the pet carrier with seat belt loop system as shown in FIG. 1.
 Broken lines, other than those described in FIG. 1, represent stitching and do not form a part of the claimed design.

(56) **References Cited**

U.S. PATENT DOCUMENTS

3,850,144 A	11/1974	Springer et al.
4,059,207 A	11/1977	Jackson et al.
D290,176 S	6/1987	Demeuse
4,803,951 A	2/1989	Davis
5,170,745 A	12/1992	Burdette, Jr.
5,277,148 A	1/1994	Rossingnol et al.
5,419,281 A	5/1995	Williams et al.
5,479,892 A	1/1996	Edwards
D367,359 S *	2/1996	Smith D3/273
5,671,698 A	9/1997	Farrugia
D387,508 S	12/1997	Van Engers
D398,083 S	9/1998	Martz
5,931,120 A	8/1999	Burns et al.

1 Claim, 6 Drawing Sheets



US D649,719 S

Page 2

U.S. PATENT DOCUMENTS									
D523,995	S *	6/2006	Knittle	D30/109	2006/0278173	A1	12/2006	Kamijo	
7,160,167	B2	1/2007	Peters		2007/0102253	A1	5/2007	Godshaw et al.	
7,210,426	B2	5/2007	Yeung		2007/0221136	A1	9/2007	Buttner	
D575,461	S *	8/2008	Cannon et al.	D30/109	2008/0072837	A1 *	3/2008	Redzisz et al.	119/474
2002/0124808	A1	9/2002	Zampelli et al.		2008/0216760	A1	9/2008	Cannon et al.	
2003/0116098	A1	6/2003	Chrisco et al.		2010/0000472	A1 *	1/2010	Siklosi	119/497
2004/0050339	A1	3/2004	Johnson et al.		2010/0288204	A1 *	11/2010	Costello et al.	119/453
2005/0263102	A1	12/2005	Sherman et al.		2011/0005467	A1 *	1/2011	Siklosi	119/497
2006/0213452	A1	9/2006	King		2011/0197822	A1 *	8/2011	Chou	119/496

* cited by examiner

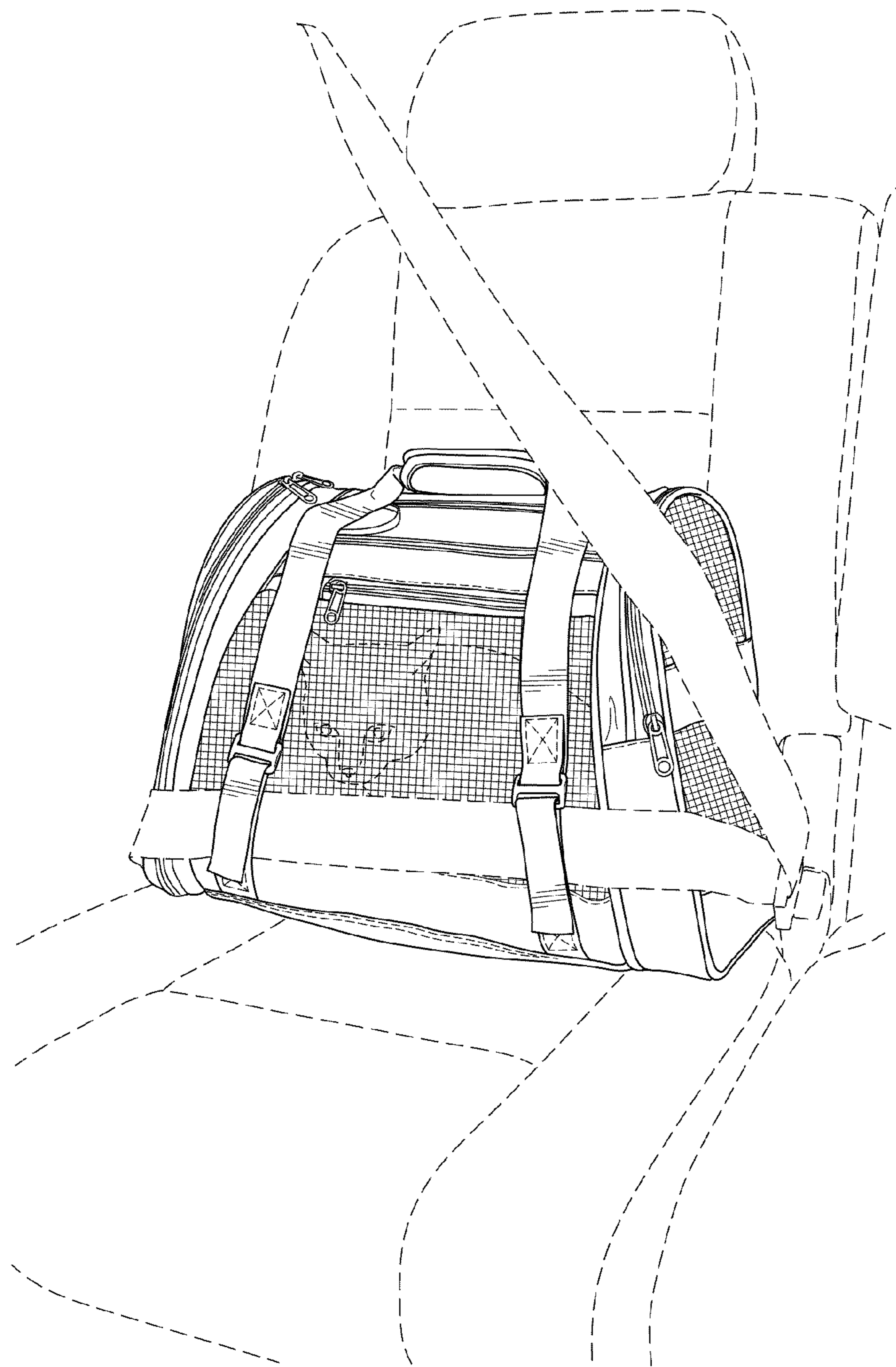


FIG. 1

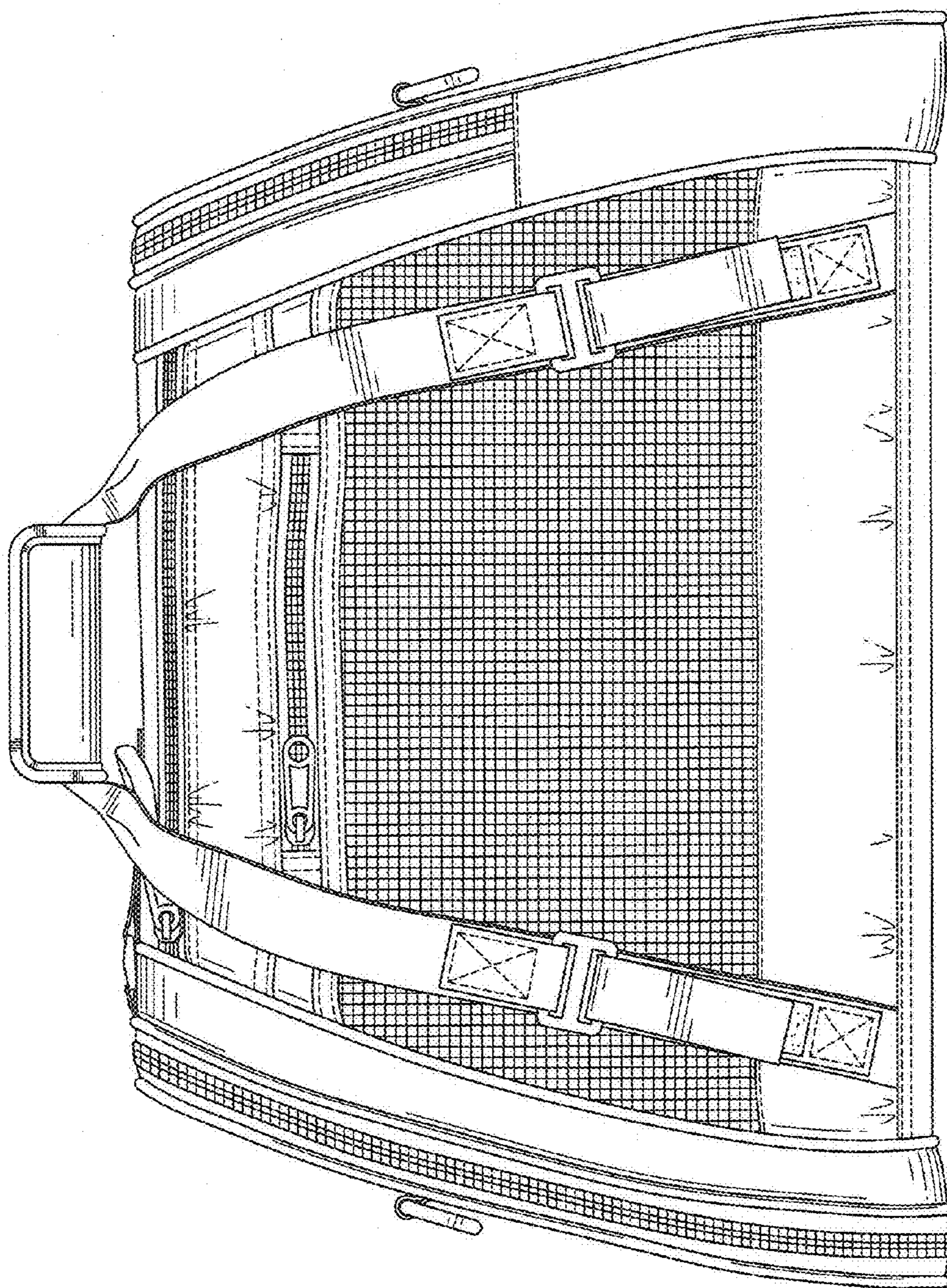


FIG. 2

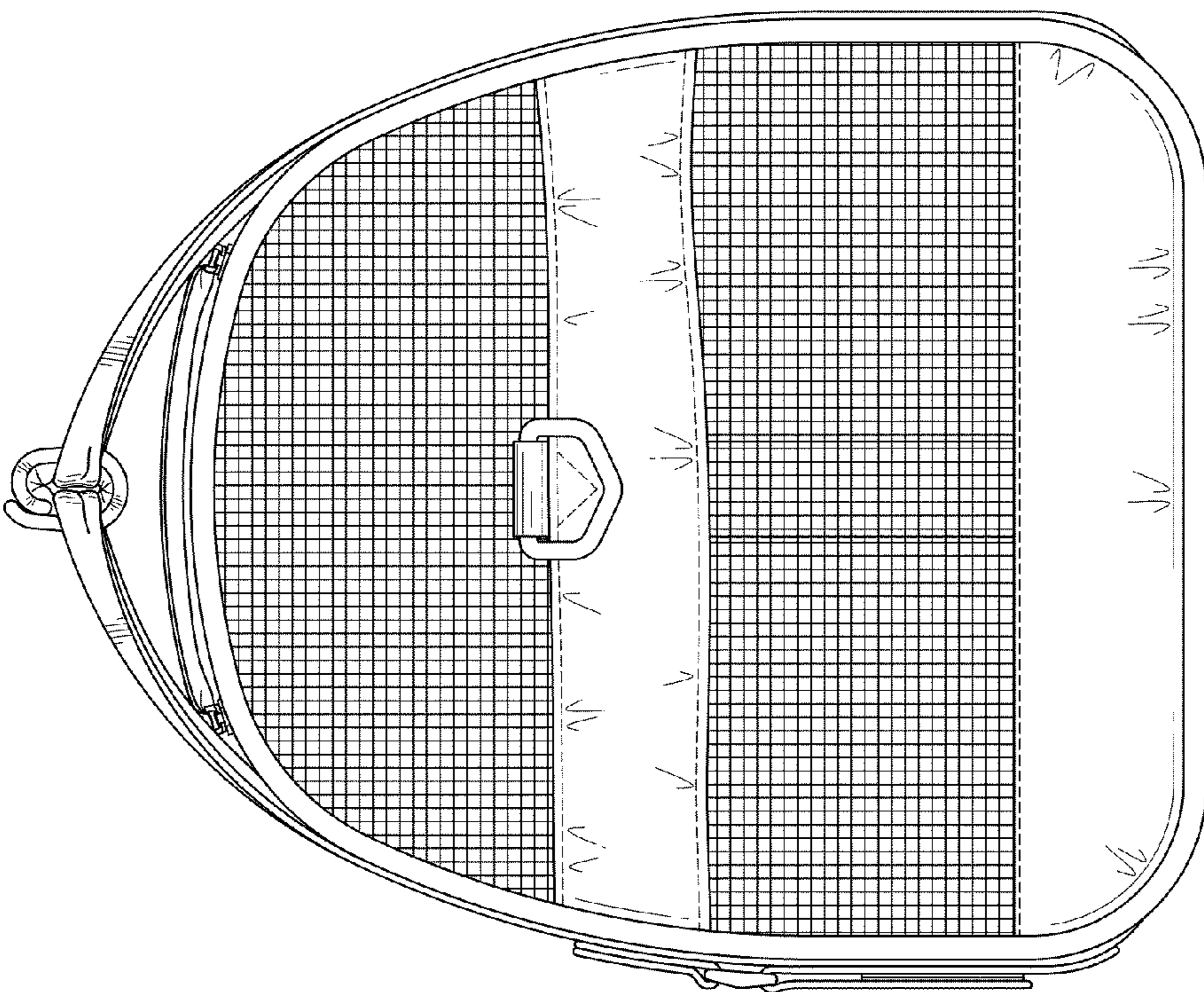


FIG. 3

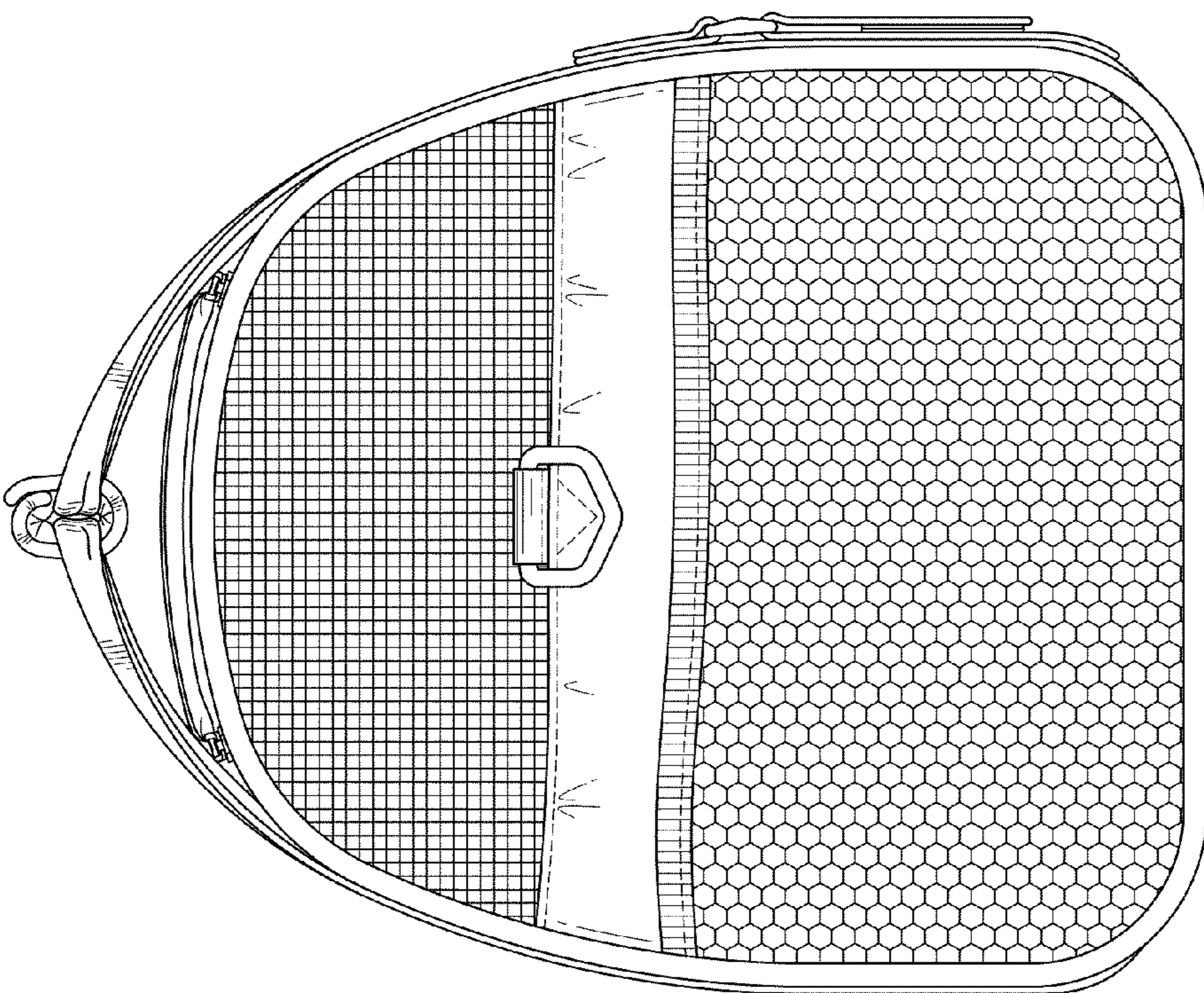


FIG. 4

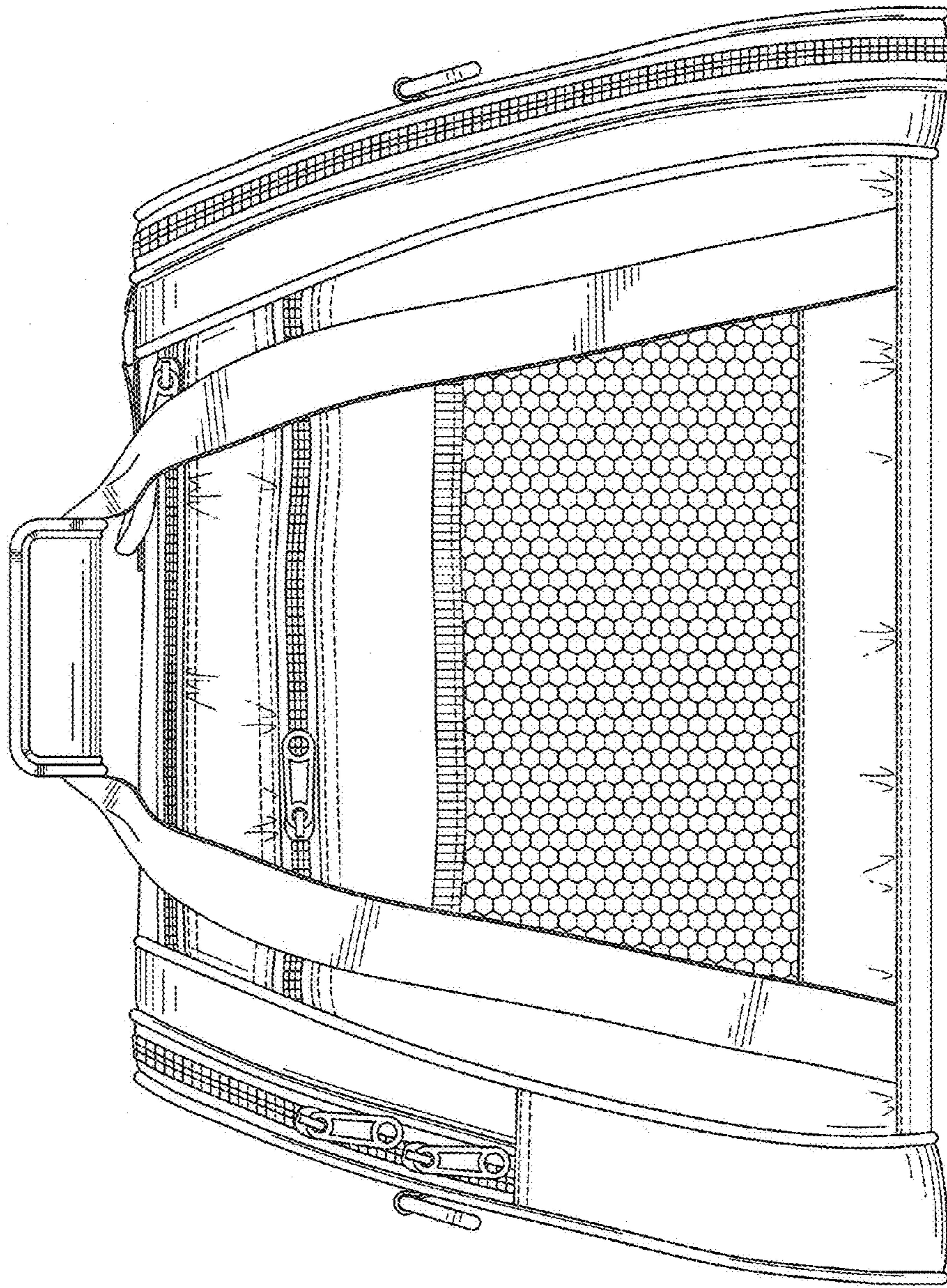


FIG. 5

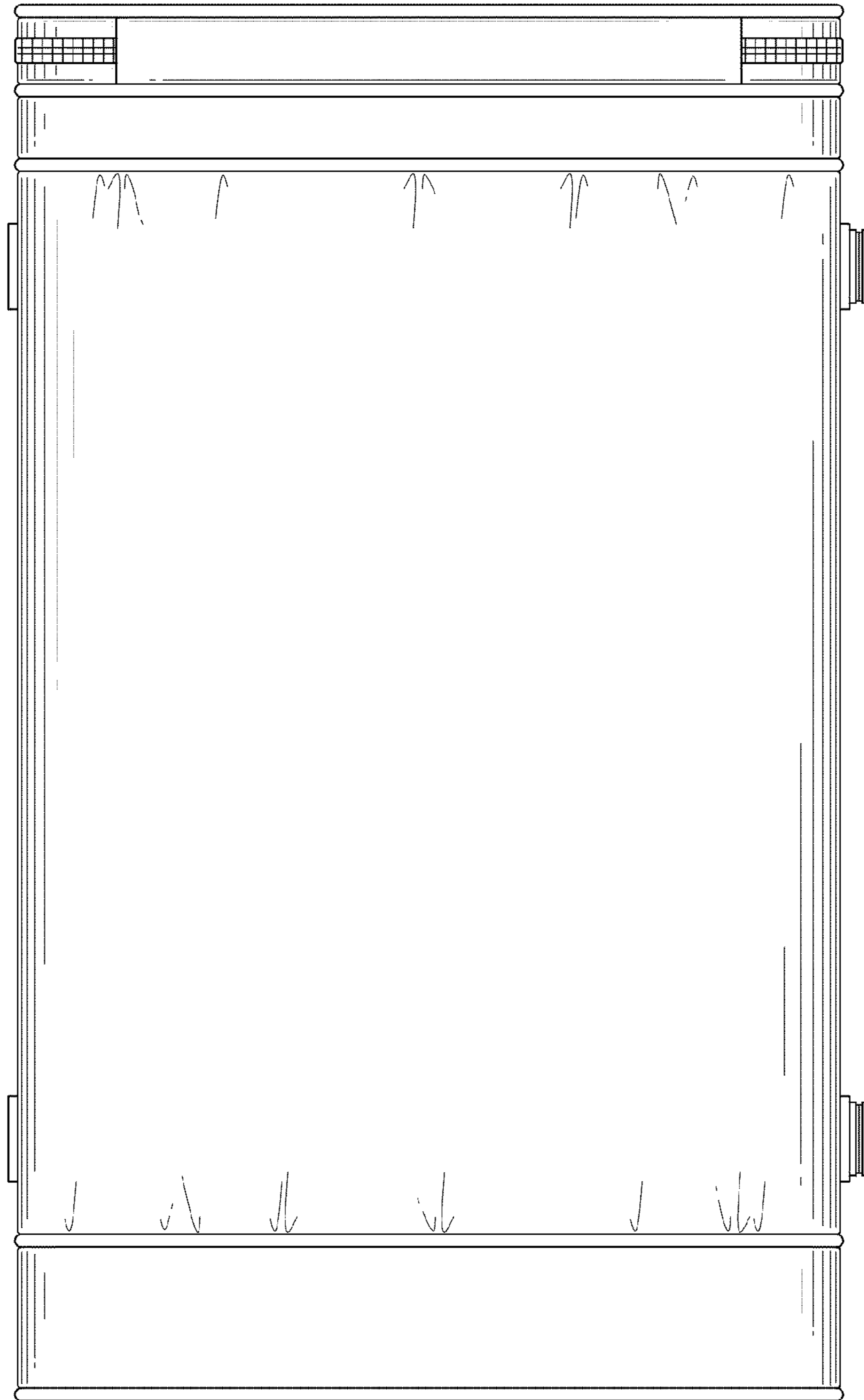


FIG. 6

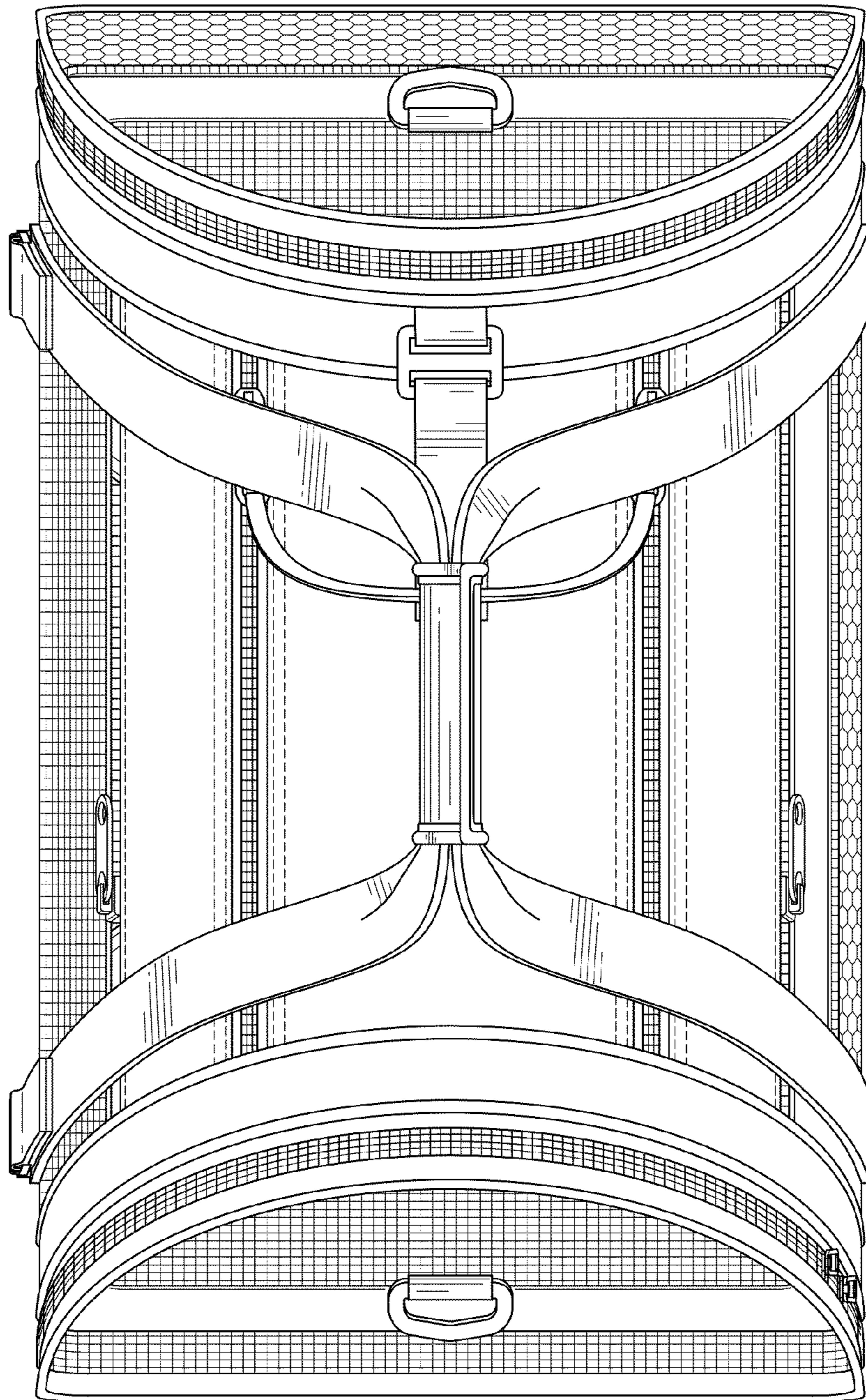


FIG. 7