



US00D649718S

(12) **United States Design Patent**  
**Baum et al.**

(10) **Patent No.:** **US D649,718 S**

(45) **Date of Patent:** **\*\* Nov. 29, 2011**

(54) **FLEXIBLE STRAP PORTION OF A HAND ENCIRCLING GARMENT**

3,598,408 A 8/1971 Klose ..... 273/54  
3,728,738 A 4/1973 Andolino ..... 2/161

(Continued)

(76) Inventors: **Lawrence M. Baum**, Shaker Heights, OH (US); **Geoffrey S. Gardner**, Solon, OH (US)

*Primary Examiner* — Raphael Barkai  
*Assistant Examiner* — Randall Gholson

(74) *Attorney, Agent, or Firm* — David A. Burge

(\*\*) Term: **14 Years**

(57) **CLAIM**

(21) Appl. No.: **29/316,223**

I claim the ornamental design for a flexible strap portion of a hand encircling garment, as shown and described.

(22) Filed: **Sep. 1, 2009**

**DESCRIPTION**

(51) **LOC (9) Cl.** ..... **29-02**

(52) **U.S. Cl.** ..... **D29/120.1**

(58) **Field of Classification Search** ..... D29/120.1;  
D7/393, 395, 401.2, 682, 692, 642-652, 664,  
D7/688, 691, 693, 696, 381, 601, 602, 701,  
D7/705, 708, 619.1, 622; D8/83, 101, 107,  
D8/307; D22/118; 30/340-344, 147-149;  
16/430, 431, 110.1; 294/29; D3/202, 327;  
206/142, 143, 427, 428; 220/694, 752-755,  
220/758; 402/4, 80; 281/43, 45-49, 462,  
281/446, 447, 460, 464; 251/42-45; 248/451,  
248/441.1, 448

See application file for complete search history.

FIG. 1 is a front perspective view of a first form of our new design;

FIG. 2 is a front face view thereof;

FIG. 3 is a top view thereof;

FIG. 4 is a bottom view thereof;

FIG. 5 is a right end view thereof;

FIG. 6 is a left end view thereof;

FIG. 7 is a cross-sectional view as seen from a plane indicated by a line 7-7 in FIG. 1;

FIG. 8 is a front face view showing a second form of our new design that is substantially identical in shape and construction to the first form, with portions thereof lined to indicate color contrast so that material forming a main body portion of the garment may exhibit a color or light-reflective character significantly different from that exhibited by material that forms border portions of the garment;

FIG. 9 is a front face view showing a third form of our new design that is substantially identical in shape and construction to the first form, with portions thereof lined to indicate color, with a black or a nearly black color substantially non-reflective of incident light being exhibited by a material that forms a main body portion of the garment, and with a silver or nearly silver color highly reflective of incident light being exhibited by a circumferentially extending border piping material which surrounds peripheral edge portions of the main body; and,

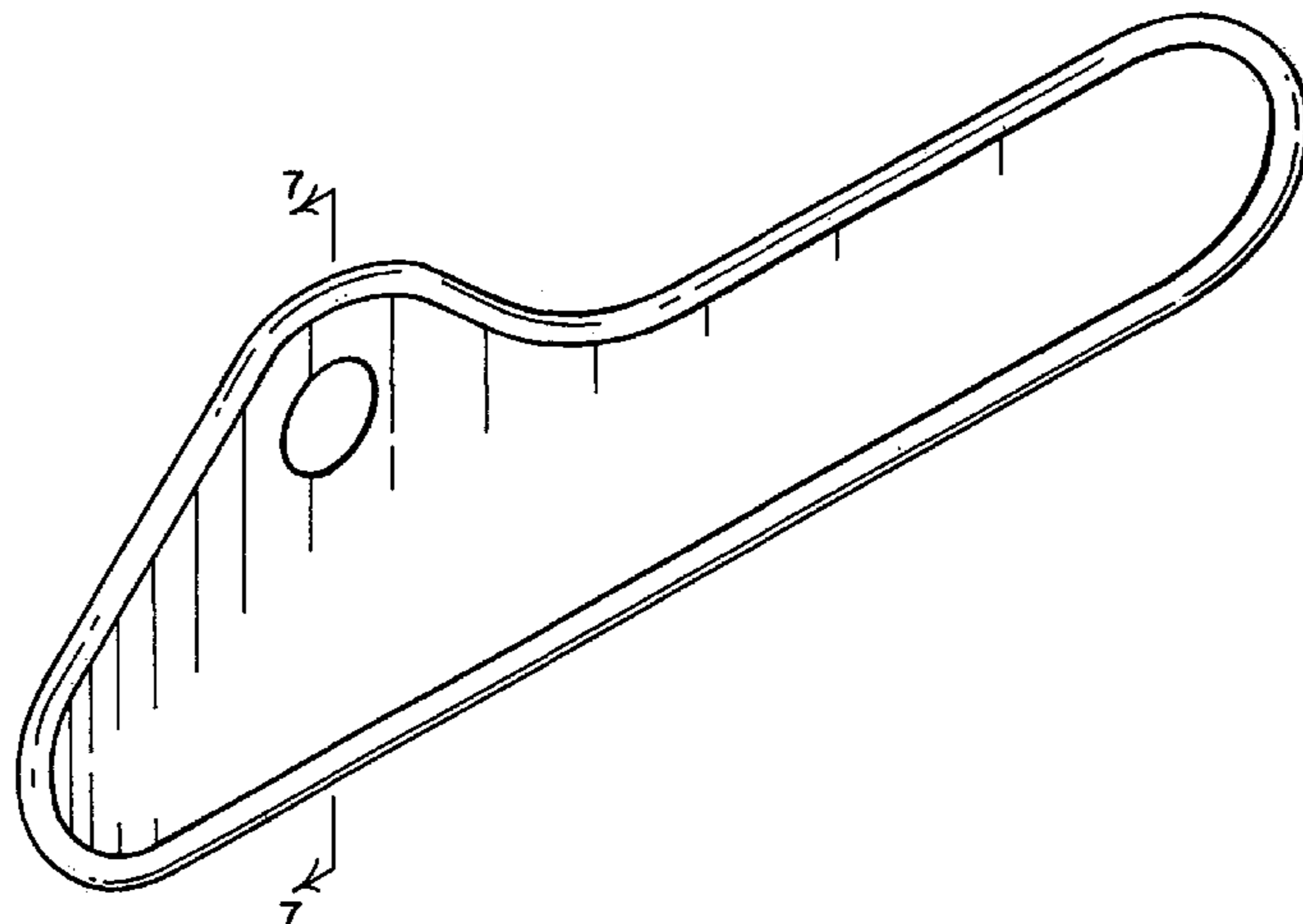
FIG. 10 is a front face view showing a fourth form of our new design that has the same characteristics of appearance as the first form, but having a region of indefinite length.

(56) **References Cited**

U.S. PATENT DOCUMENTS

57,283 A	8/1866	Brown	30/123.5
275,780 A	4/1883	Mahar	224/217
471,000 A	3/1892	Green	224/217
552,171 A	12/1895	Farnham	473/36
1,082,542 A	12/1913	Manson	223/101
1,189,924 A	7/1916	Blieux	224/222
1,817,212 A	8/1931	Siebranot	602/21
2,074,113 A	3/1937	Hovey	128/133
2,077,202 A	4/1937	Barrie	31/80
2,388,330 A	11/1945	Jungmann	2/16
2,738,190 A	3/1956	Tureauud	273/54
3,123,832 A	3/1964	Kubik	2/161
3,146,463 A	9/1964	Wargo	2/20
3,369,258 A	2/1968	Smith	2/159
3,496,573 A	2/1970	Kuchar et al.	2/161
3,533,407 A	10/1970	Smith	128/165
3,583,704 A	6/1971	Callanan	273/54

**1 Claim, 4 Drawing Sheets**



# US D649,718 S

Page 2

## U.S. PATENT DOCUMENTS

3,893,099 A	7/1975	Zoepfl .....	340/323	6,360,684 B1	3/2002	Quaglia .....	116/222
D242,172 S	11/1976	Borenstein .....	D24/4	6,629,628 B1	10/2003	Canepari et al. ....	224/222
4,062,540 A	12/1977	Calentine .....	273/54	D490,239 S	5/2004	Wagner, II .....	D3/226
D248,258 S	6/1978	Munari .....	D2/383	6,783,507 B1	8/2004	Fisher .....	602/22
4,103,362 A	8/1978	Blakeman .....	2/161	6,880,737 B2	4/2005	Bauer .....	224/246
4,135,653 A	1/1979	Sieloff .....	224/5	D506,058 S	6/2005	Sexson .....	D3/218
D259,955 S	7/1981	Helferich .....	D24/4	D513,865 S	1/2006	Wagner, II .....	D3/226
4,326,706 A	4/1982	Guthrie et al. ....	272/119	D514,772 S	2/2006	Bevier .....	D2/623
4,415,106 A	11/1983	Connell et al. ....	224/221	D515,805 S	2/2006	Jones .....	D3/215
4,432,477 A	2/1984	Haidt et al. ....	224/222	D526,479 S	8/2006	Brandenburg .....	D3/218
4,500,019 A	2/1985	Curley, Jr. ....	224/222	7,243,824 B2	7/2007	Tabata .....	224/222
4,519,097 A	5/1985	Chappell, Jr. et al. ....	2/16	D554,365 S	11/2007	Zhou .....	D3/218
D287,640 S	1/1987	Primiano .....	D24/64	D555,353 S	11/2007	Kennedy .....	D3/218
4,638,511 A	1/1987	Haack .....	2/161	7,364,556 B2	4/2008	Weaver, II .....	602/5
4,653,490 A	3/1987	Eisenberg .....	128/133	D570,598 S	6/2008	Chan .....	D3/218
4,658,441 A	4/1987	Smith .....	2/16	D576,792 S	9/2008	Wagner, II .....	D3/226
4,746,043 A	5/1988	Booker .....	224/219	D580,599 S	11/2008	Marino .....	D29/113
D300,948 S	5/1989	Harris et al. ....	D24/64	7,469,809 B2	12/2008	Rodarte et al. ....	224/578
4,953,568 A	9/1990	Theisler .....	128/878	D584,822 S	1/2009	Weber .....	D24/190
5,003,637 A	4/1991	Lonon .....	2/160	D596,828 S	7/2009	Sofer et al. ....	D2/617
5,160,314 A	11/1992	Peters .....	602/21	7,584,841 B2	9/2009	Chan et al. ....	206/45.23
5,170,917 A	12/1992	Tourigny .....	224/221	7,616,097 B1	11/2009	Whang .....	340/321
5,335,916 A	8/1994	Nee .....	273/346	7,641,046 B2	1/2010	Tsang et al. ....	206/320
5,413,553 A	5/1995	Downes .....	602/21	7,673,745 B2	3/2010	Sirichai et al. ....	206/45.23
D363,146 S	10/1995	Pando .....	D29/113	7,735,644 B2	6/2010	Sirichai et al. ....	206/320
5,511,702 A	4/1996	Yang .....	224/219	7,780,047 B2	8/2010	Chen et al. ....	224/218
D371,675 S	7/1996	Carter .....	D3/215	2002/0126217 A1	9/2002	Arakane et al. ....	348/375
D373,639 S	9/1996	McKie .....	D24/190	2003/0019894 A1	1/2003	Caldana .....	224/165
5,566,389 A	10/1996	Li .....	2/16	2003/0066856 A1	4/2003	Lehtonen .....	224/675
5,899,870 A	5/1999	Deirmendjian et al. ....	602/21	2006/0076381 A1	4/2006	Rodarte et al. ....	224/600
5,924,136 A	7/1999	Ogean .....	2/159	2007/0083979 A1	4/2007	Daniels .....	2/160
6,142,966 A	11/2000	Hely .....	602/64	2007/0235492 A1	10/2007	Sirichai et al. ....	224/930
6,217,095 B1	4/2001	Yamada .....	294/149	2008/0083631 A1	4/2008	Tsang et al. ....	206/320
D447,623 S	9/2001	Troska .....	D3/215	2008/0164174 A1	7/2008	Chan et al. ....	206/474
6,325,772 B1	12/2001	Scheuermann et al. ....	602/22	2008/0194139 A1	8/2008	Chan .....	439/521
				2008/0302687 A1	12/2008	Sirichai et al. ....	206/320

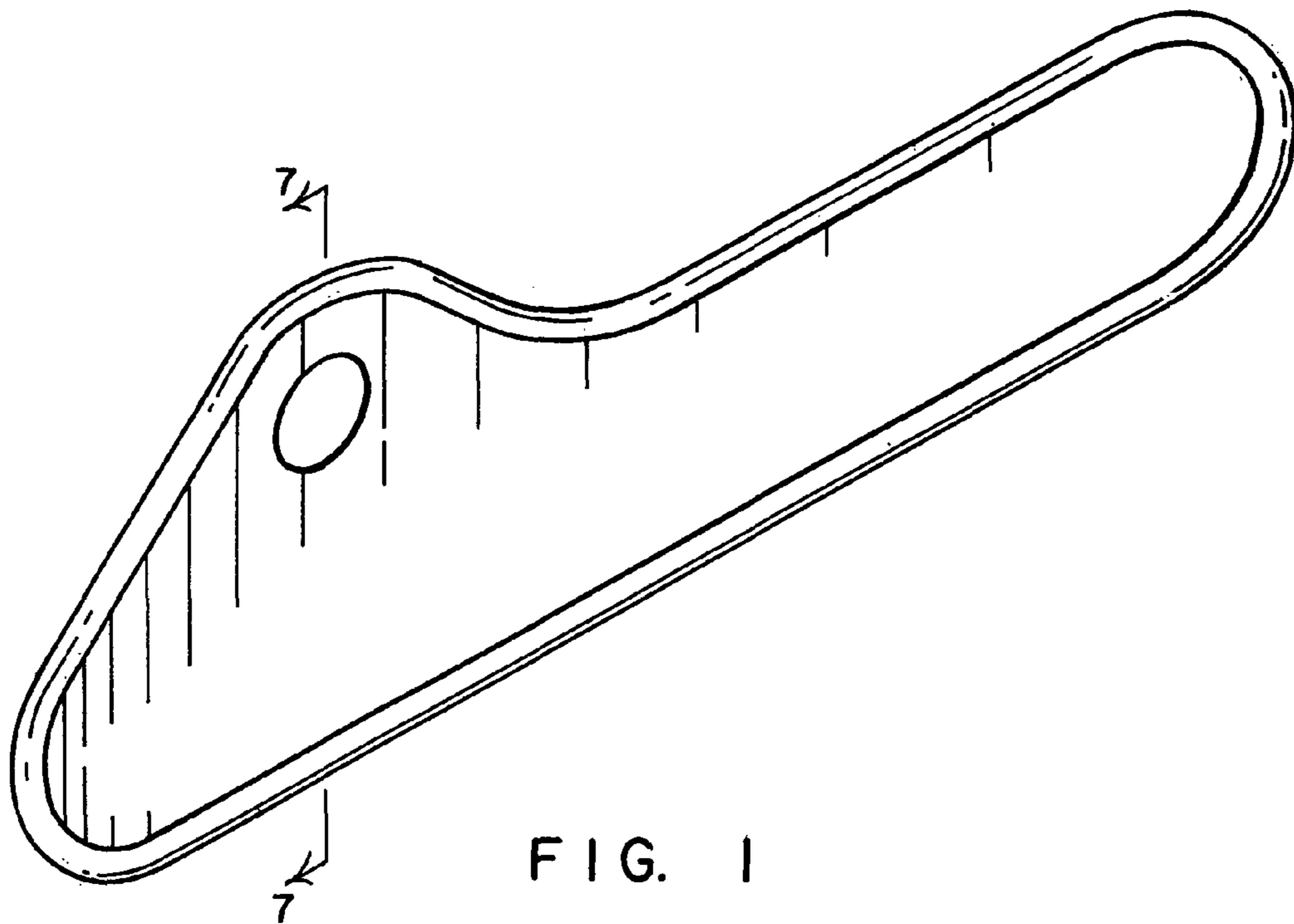


FIG. 1

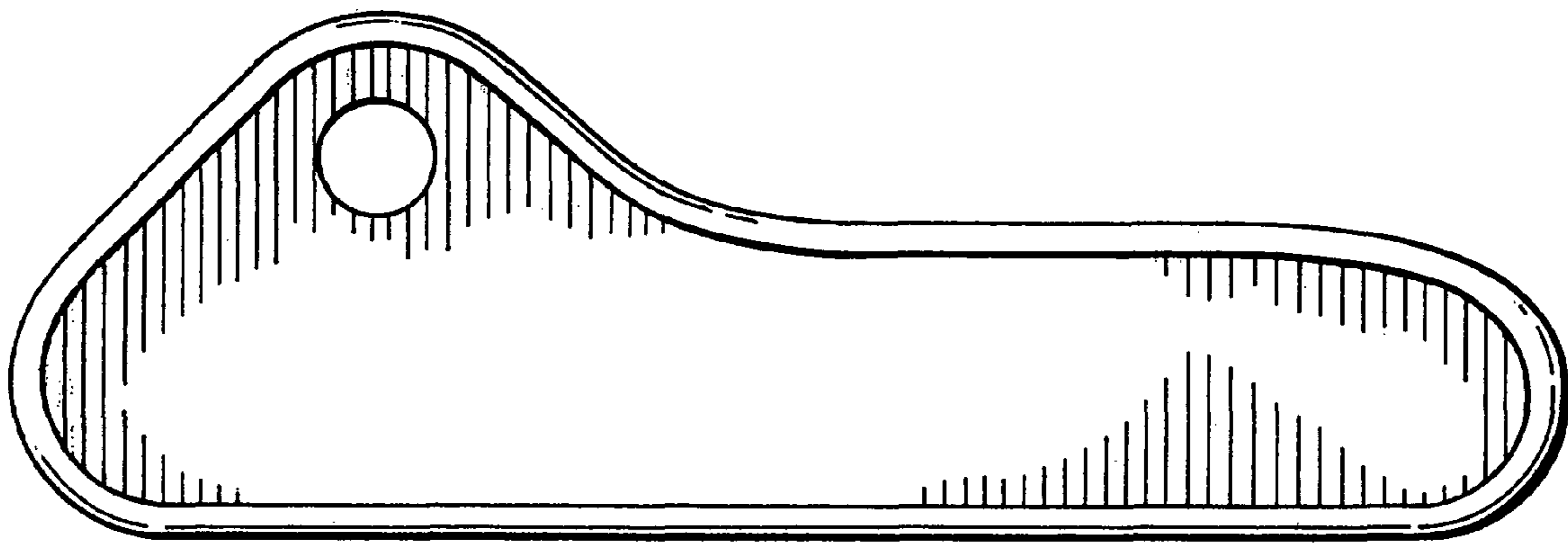


FIG. 2



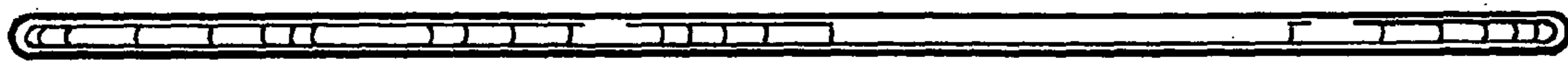


FIG. 3

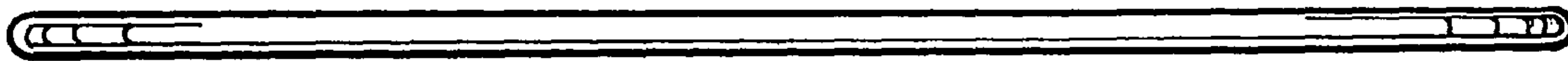


FIG. 4



FIG. 5



FIG. 6



FIG. 7

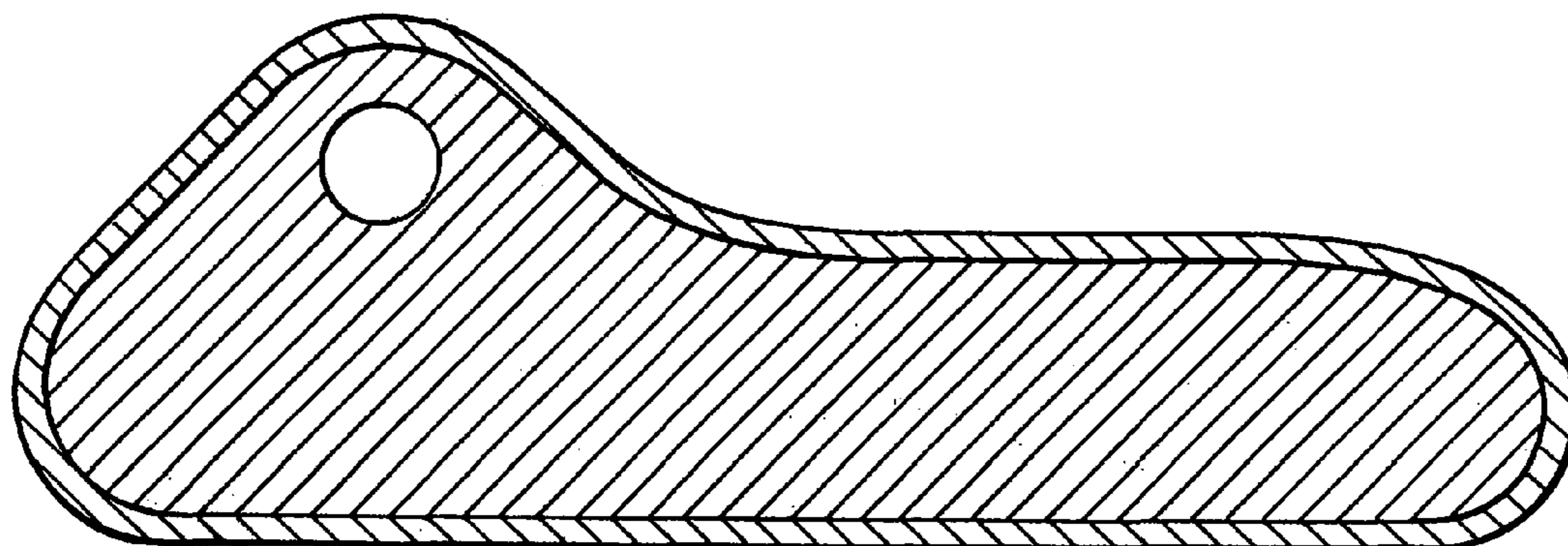


FIG. 8

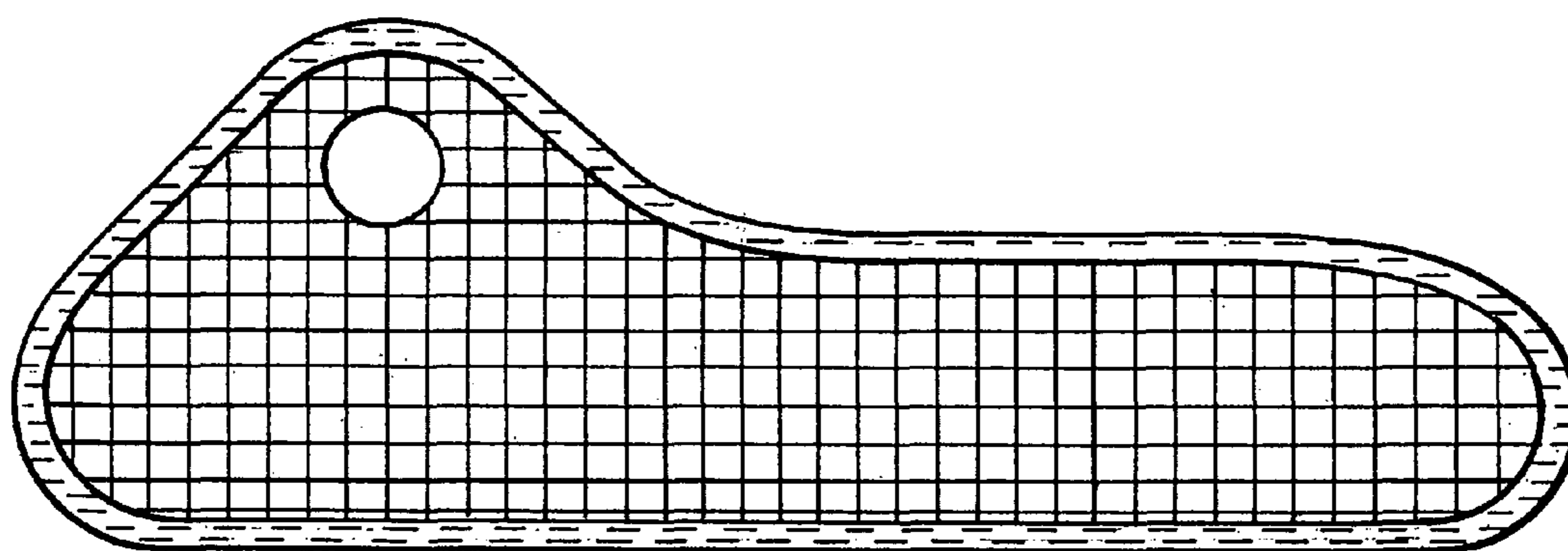


FIG. 9

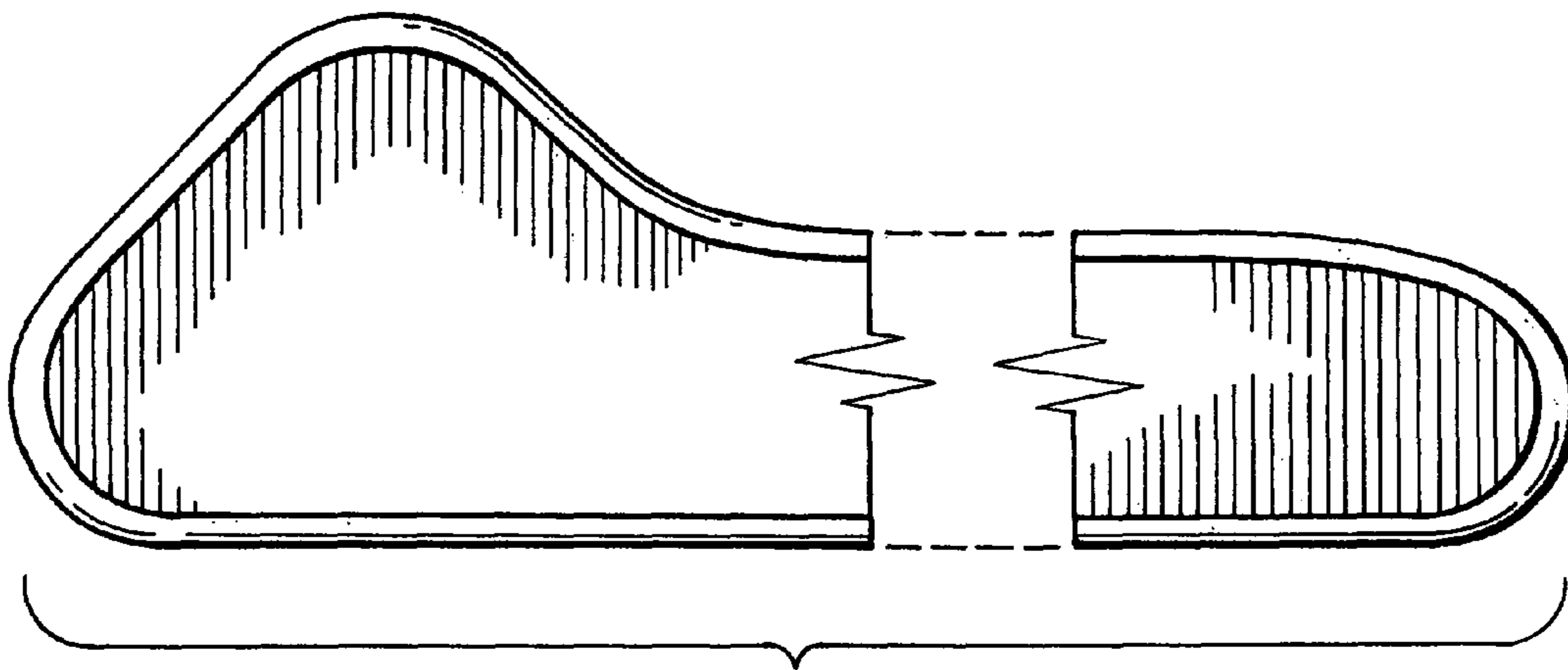


FIG. 10