



US00D649711S

(12) **United States Design Patent**  
**Strollo et al.**

(10) **Patent No.:** **US D649,711 S**

(45) **Date of Patent:** **\*\* \*Nov. 29, 2011**

(54) **HAIR DRYER**

(75) Inventors: **Giacomo M. Strollo**, San Diego, CA  
(US); **Mark A. Wollen**, Poway, CA  
(US); **Dave Hadden**, Los Altos, CA  
(US)

(73) Assignees: **Fromm International**, Mt. Prospect, IL  
(US); **Arlo, Inc.**, Los Altos, CA (US)

(\*) Notice: This patent is subject to a terminal disclaimer.

(\*\*) Term: **14 Years**

(21) Appl. No.: **29/385,785**

(22) Filed: **Feb. 18, 2011**

(51) **LOC (9) Cl.** ..... **28-03**

(52) **U.S. Cl.** ..... **D28/13**

(58) **Field of Classification Search** ..... D28/12-19;  
34/96-101; 392/380-385; 219/222

See application file for complete search history.

(56) **References Cited**

U.S. PATENT DOCUMENTS

D254,328	S	*	2/1980	Benty	.....	D28/13
D254,833	S	*	4/1980	Cooper	.....	D32/18
D426,022	S	*	5/2000	Micinilio	.....	D28/13
D472,345	S	*	3/2003	Altamore et al.	.....	D28/13
D606,246	S	*	12/2009	Migliori et al.	.....	D28/13
D611,196	S	*	3/2010	Jerome et al.	.....	D28/13

\* cited by examiner

*Primary Examiner* — Zenia Bennett

(74) *Attorney, Agent, or Firm* — Carr & Ferrell LLP

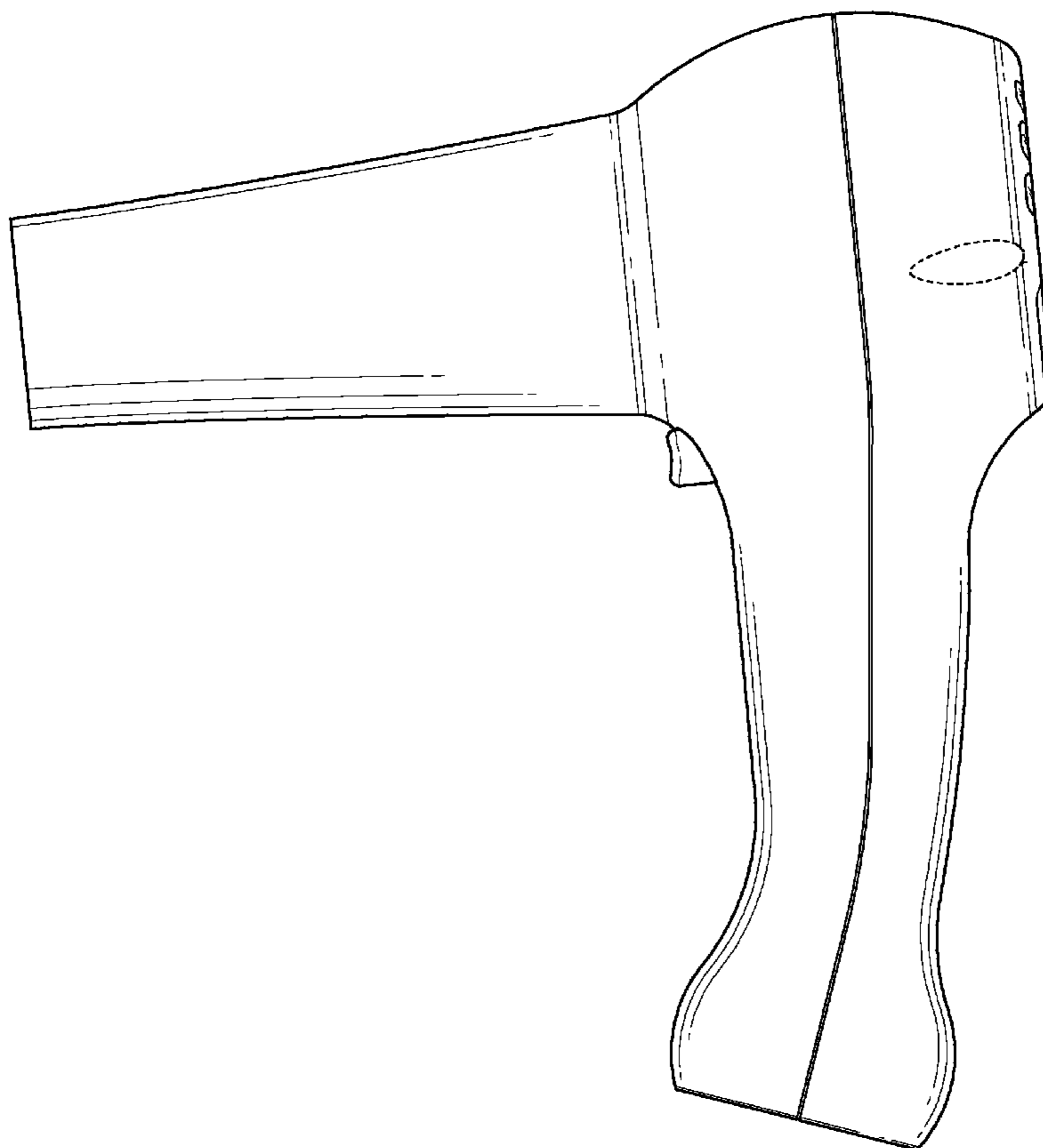
(57) **CLAIM**

The ornamental design for a hair dryer, as shown and described.

**DESCRIPTION**

FIG. 1 is a front perspective view of a hair dryer of our design; FIG. 2 is a rear perspective view of the hair dryer; FIG. 3 is a front side view of the hair dryer; FIG. 4 is a rear side view of the hair dryer; FIG. 5 is a left side view of the hair dryer; FIG. 6 is a right side view of the hair dryer; FIG. 7 is a top plan view of the hair dryer; and, FIG. 8 is a bottom plan view of the hair dryer.

**1 Claim, 8 Drawing Sheets**



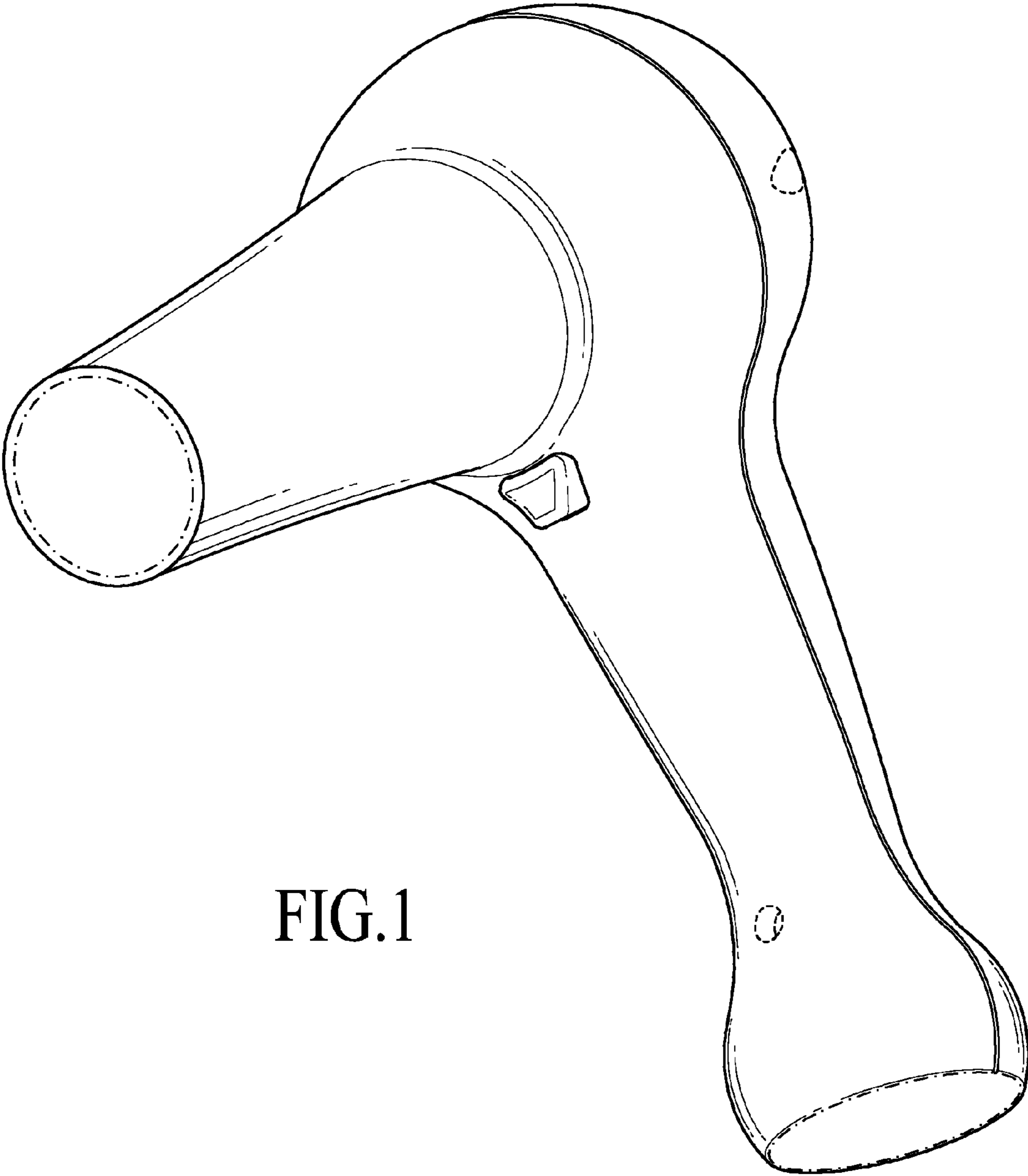


FIG.1

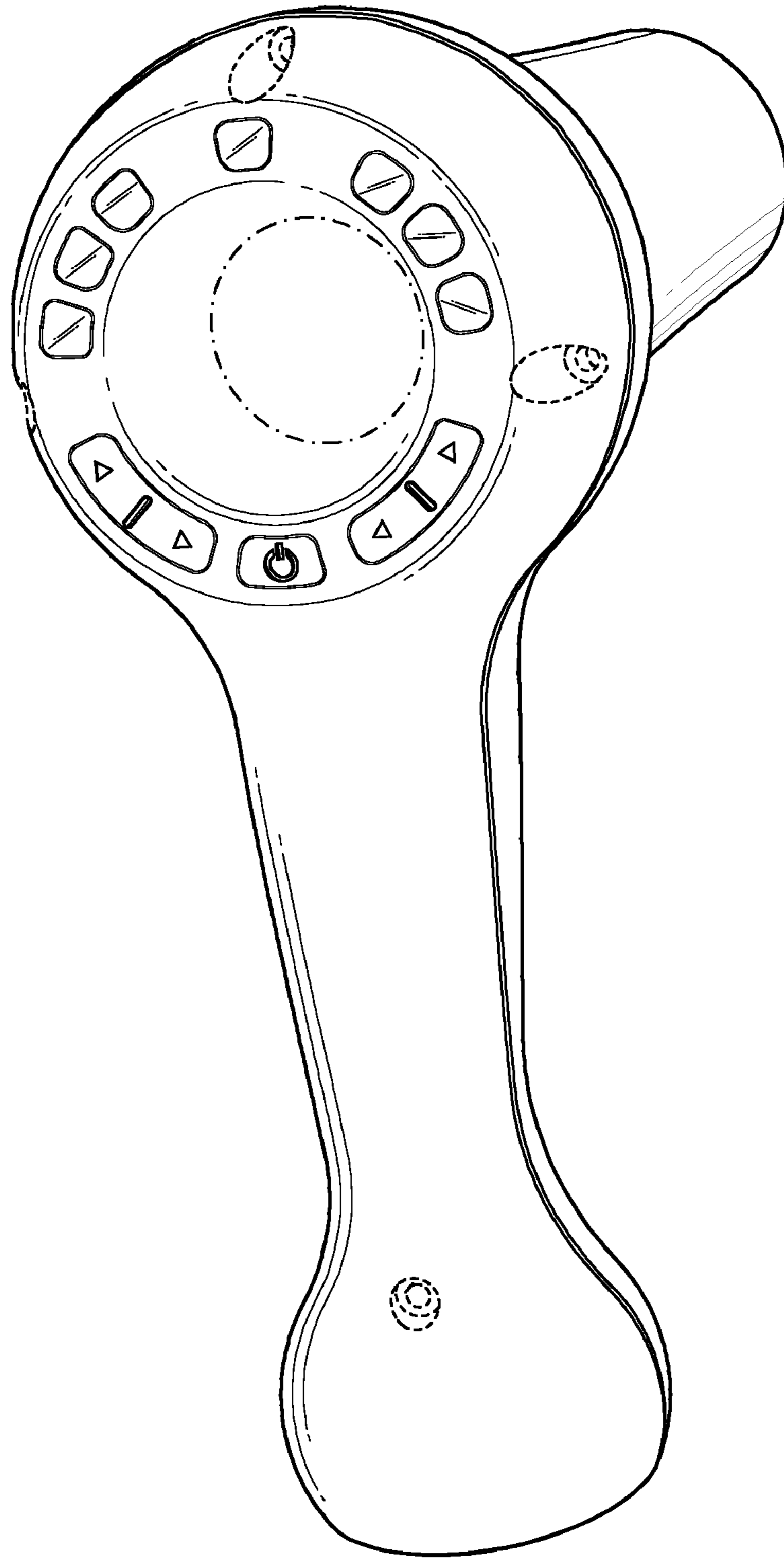


FIG.2

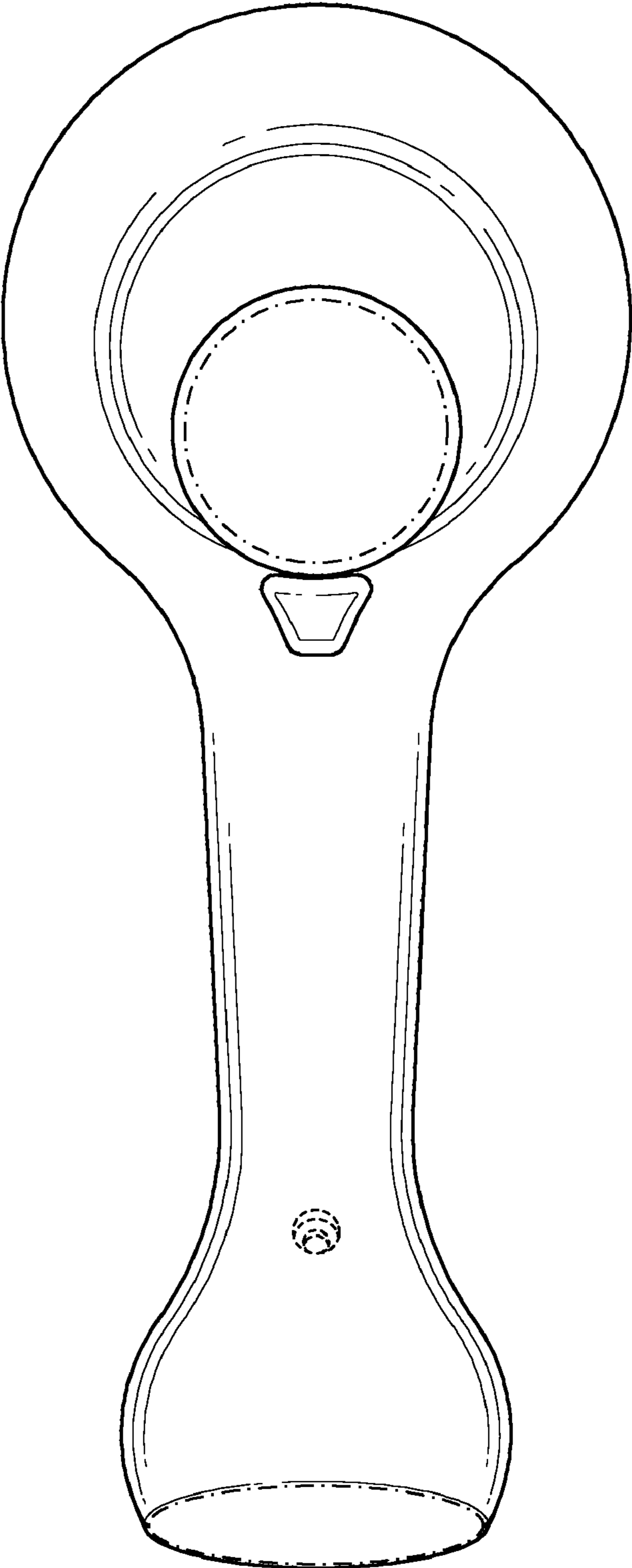


FIG.3

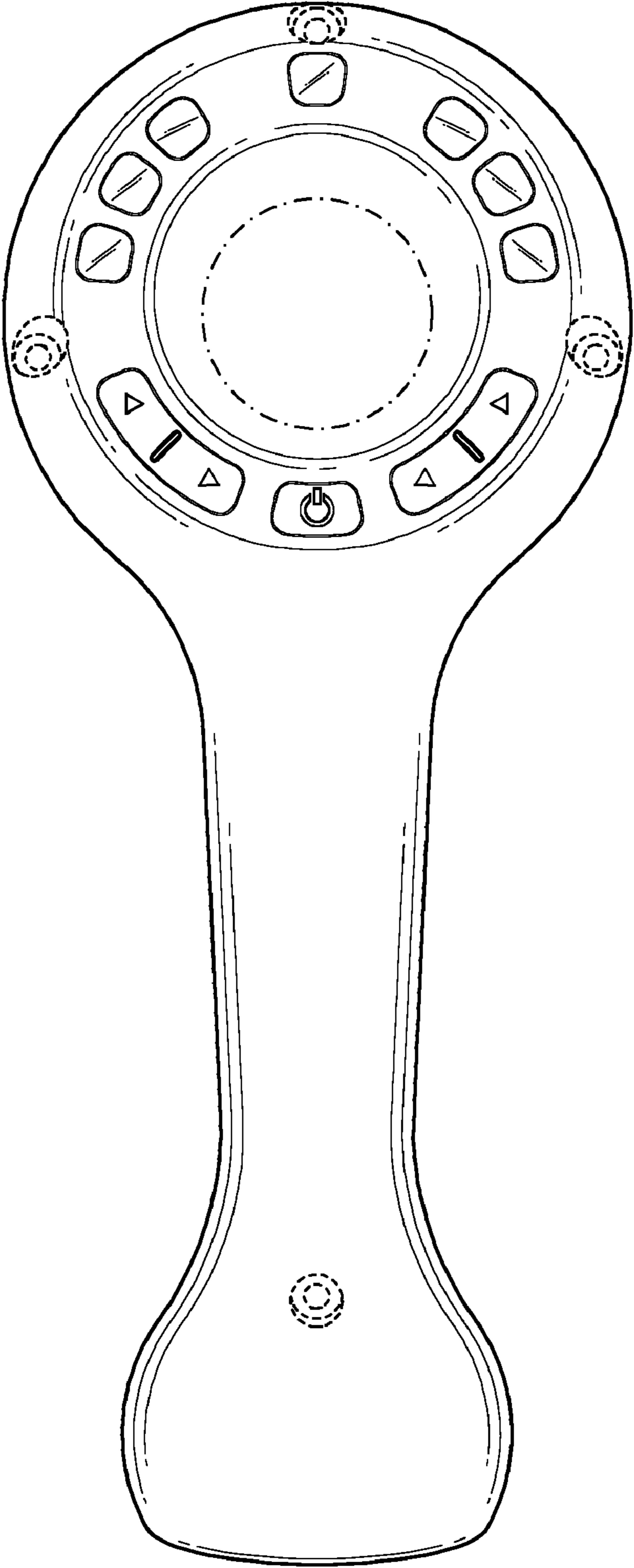


FIG.4

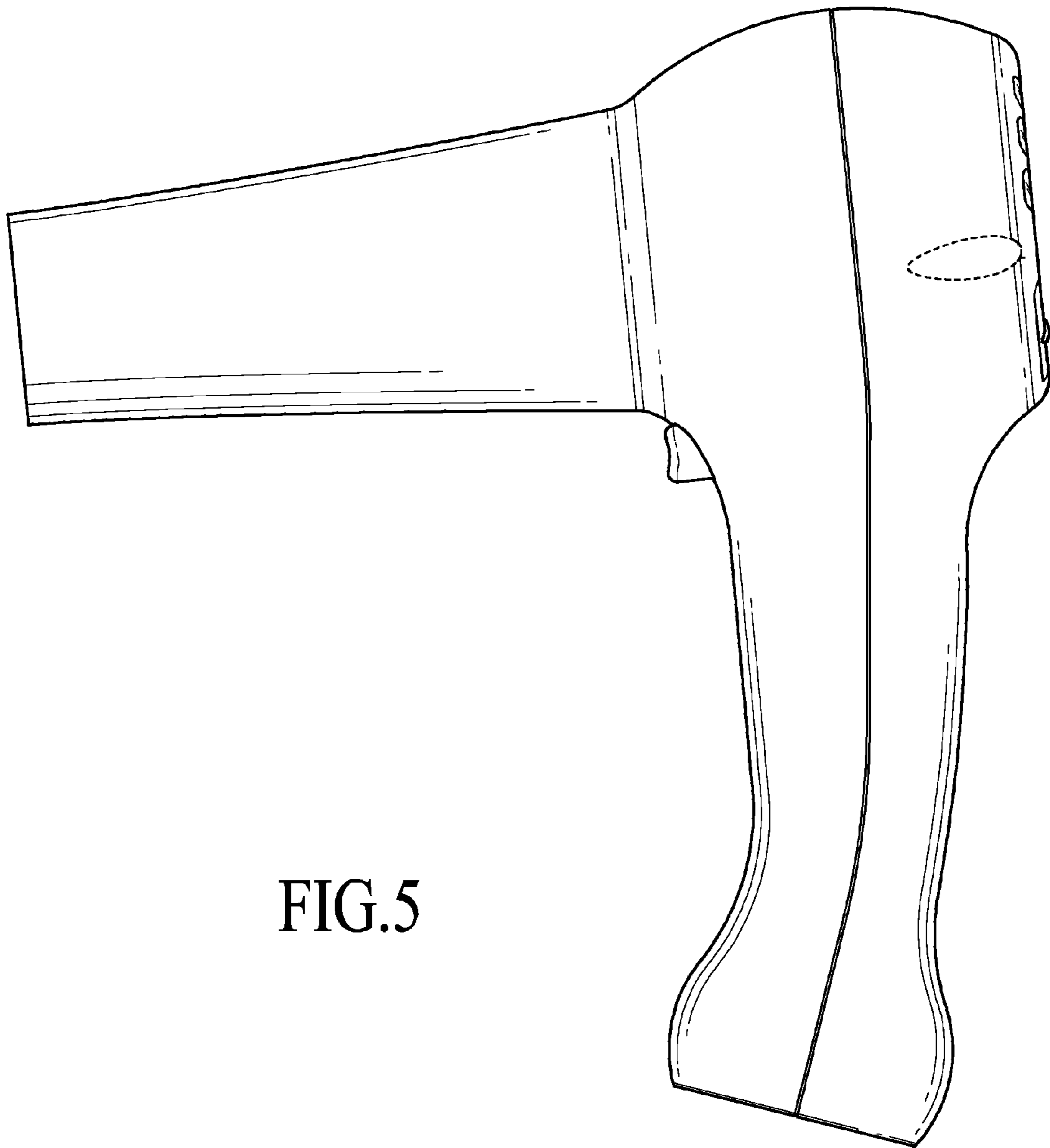


FIG.5

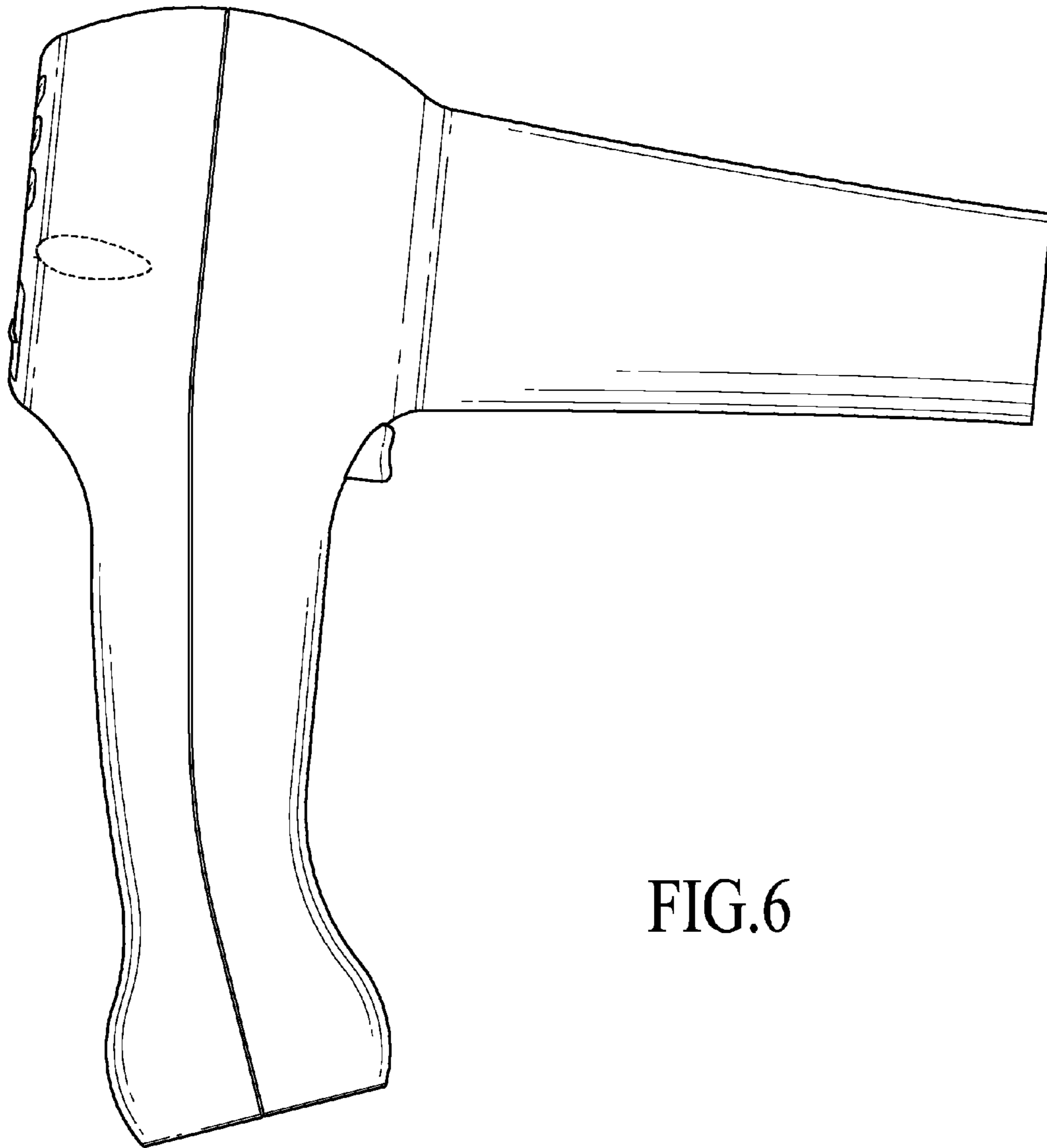


FIG. 6

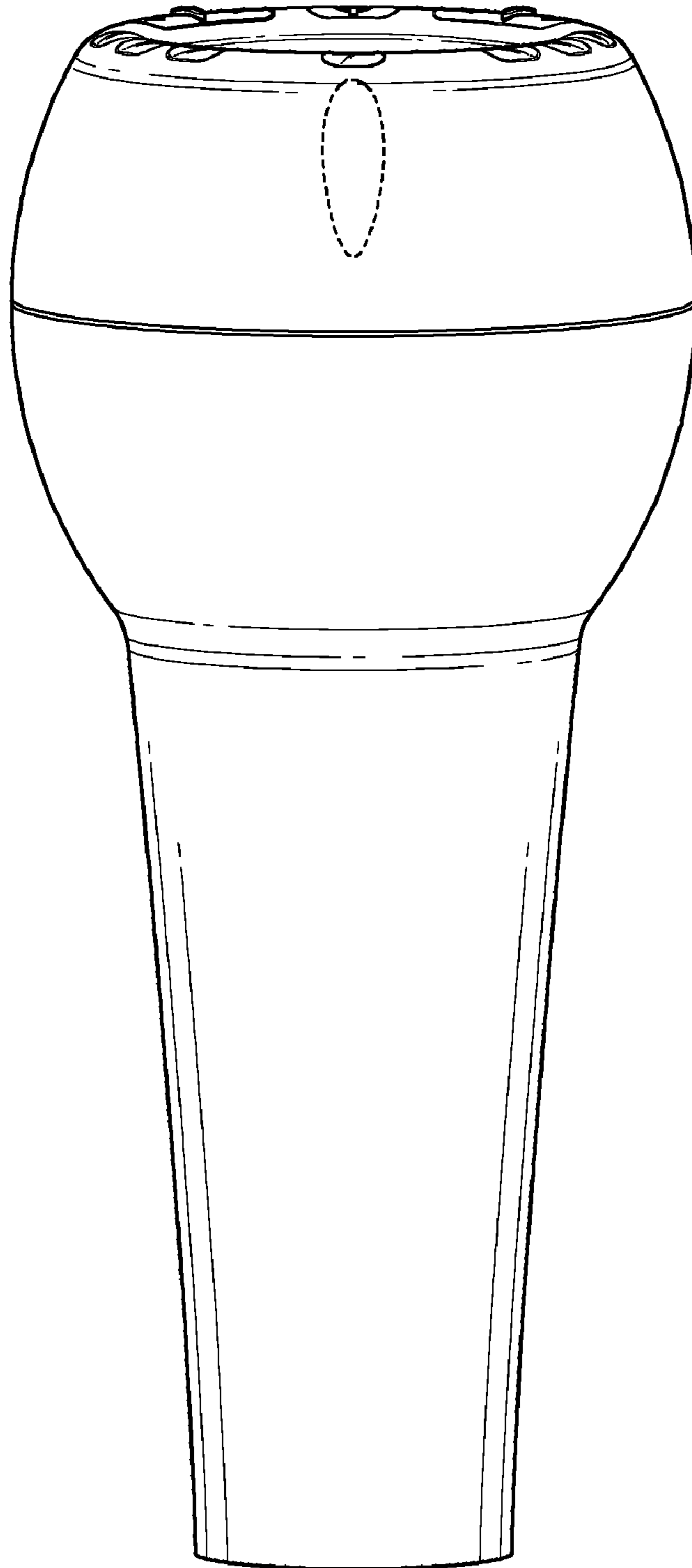


FIG.7



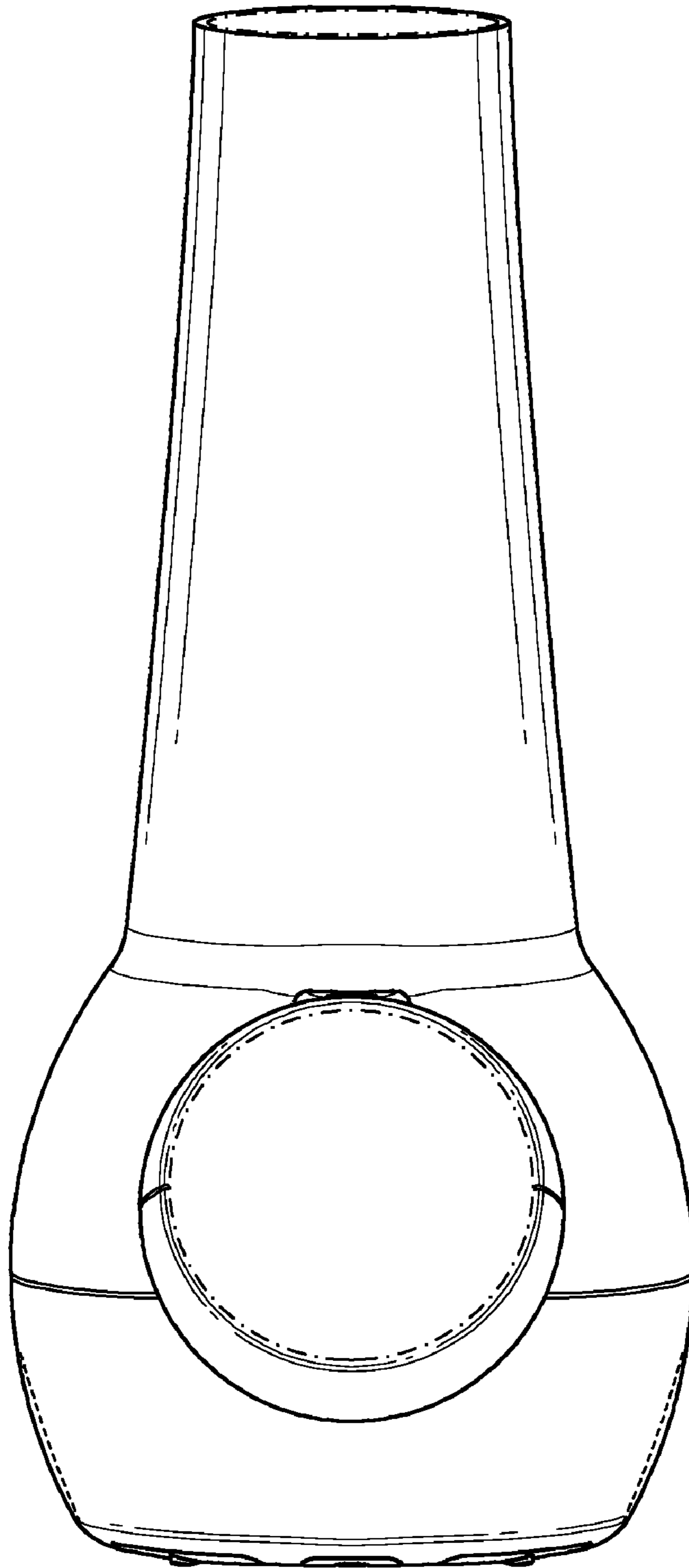


FIG. 8