



US00D649709S

(12) **United States Design Patent**
Loman

(10) **Patent No.:** **US D649,709 S**

(45) **Date of Patent:** **** Nov. 29, 2011**

(54) **CIGAR HOLDER**

(76) Inventor: **Joseph Harvey Loman**, Greenville, SC
(US)

(**) Term: **14 Years**

(21) Appl. No.: **29/373,304**

(22) Filed: **Mar. 28, 2011**

(51) **LOC (9) Cl.** **27-06**

(52) **U.S. Cl.** **D27/183**

(58) **Field of Classification Search** D27/101,
D27/162, 53, 173, 196, 183, 192, 187, 138,
D27/135, 186; D8/388, 105, 395, 72, 370;
131/198.1, 198.2, 336, 270, 348, 173, 273,
131/256, 257, 259, 174, 246, 243; D9/780,
D9/504, 772, 738, 739, 744, 746, 455; D11/124,
D11/130, 143, 146, 148, 151, 152, 182; 206/242;
D7/601, 602, 704, 620; D19/75, 77, 81,
D19/83; 248/176.2, 302, 303, 304, 690,
248/589, 594, 597, 600, 610, 624, 465.1,
248/117.2, 153, 175

See application file for complete search history.

(56) **References Cited**

U.S. PATENT DOCUMENTS

539,199	A *	5/1895	Stille et al.	431/296
905,944	A *	12/1908	Sothard	131/257
D48,355	S *	12/1915	Molke, Jr.	D6/556
1,424,573	A *	8/1922	Larson	431/296
2,040,648	A *	5/1936	Fortes	99/440
2,229,403	A *	1/1941	Benander	439/575
2,520,818	A *	8/1950	Terry	248/153
3,335,732	A *	8/1967	Vickery	131/260
4,955,807	A *	9/1990	Chance et al.	431/296
5,402,899	A *	4/1995	Ammeson	215/391
D367,998	S *	3/1996	Graw et al.	D7/620
D373,849	S *	9/1996	Passalacqua	D28/38
D375,229	S *	11/1996	DiBella	D7/619.1
D392,770	S *	3/1998	Scallon et al.	D27/183
D416,071	S *	11/1999	Sizer et al.	D22/147

D419,330	S *	1/2000	Bjornbraten	D6/403
D451,049	S *	11/2001	Bjornbraten	D11/143
D457,420	S *	5/2002	Kalat	D8/370
D487,862	S *	3/2004	Tincher	D7/620
7,152,837	B1 *	12/2006	Babjak	248/304
D554,927	S *	11/2007	Smith	D6/566
D568,145	S *	5/2008	Handel	D8/370
D590,714	S *	4/2009	Sanders	D9/455
D594,593	S *	6/2009	Ohmori et al.	D26/140
D632,908	S *	2/2011	Tincher	D6/513

* cited by examiner

Primary Examiner — Cathron Brooks

Assistant Examiner — Kevin Rudzinski

(74) *Attorney, Agent, or Firm* — J. Bennett Mullinax, LLC

(57) **CLAIM**

The ornamental design for a cigar holder, as shown and described.

DESCRIPTION

FIG. 1 is a front perspective view of a cigar holder according to the present design;

FIG. 2 is a front elevation view of a cigar holder as shown in FIG. 1;

FIG. 3 is a back elevation view of a cigar holder as shown in FIG. 1;

FIG. 4 is a left side elevation view of a cigar holder as shown in FIG. 1;

FIG. 5 is a right side elevation view of a cigar holder as shown in FIG. 1;

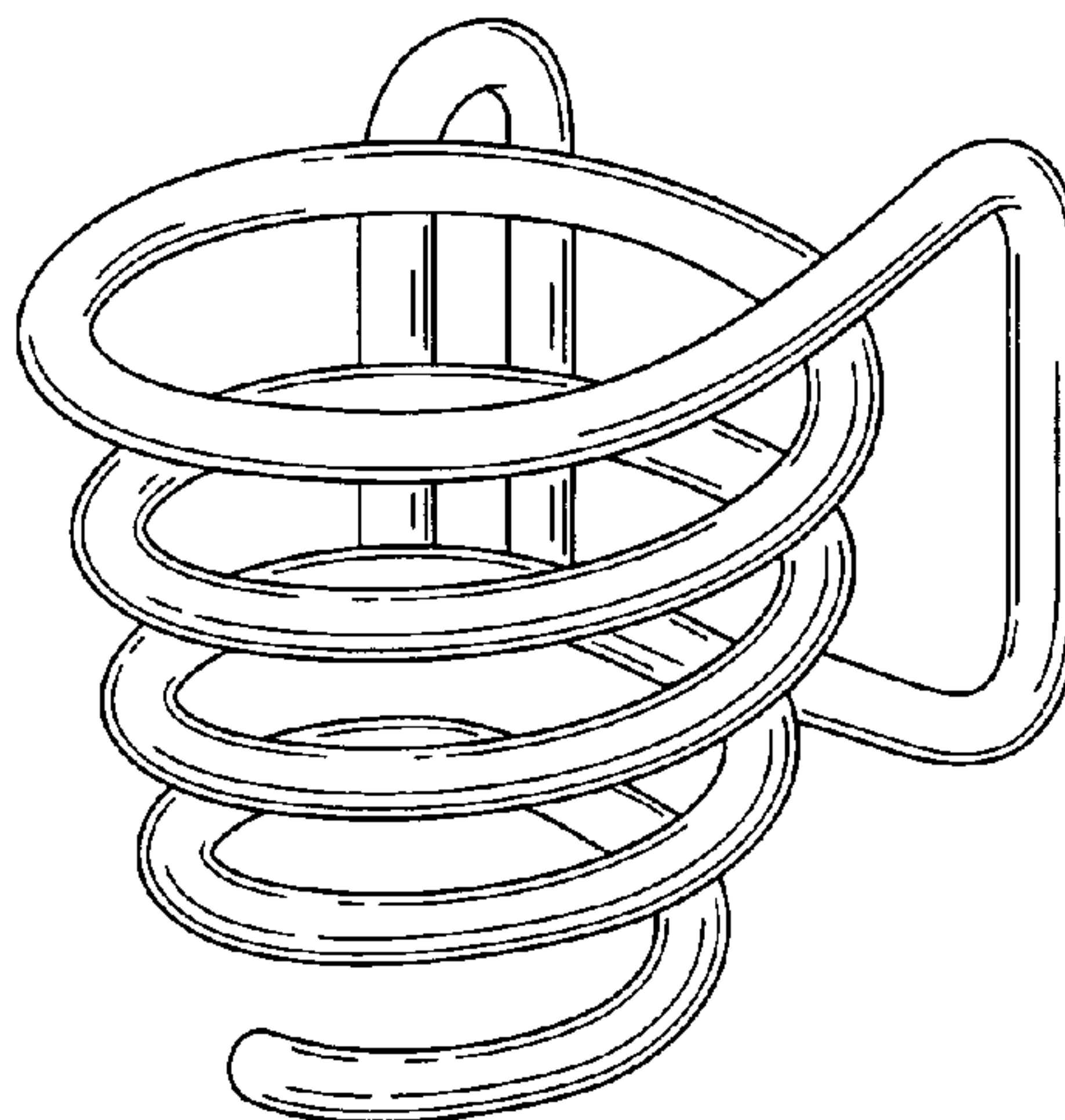
FIG. 6 is a top plan view of a cigar holder as shown in FIG. 1;

FIG. 7 is a bottom plan view of a cigar holder as shown in FIG. 1; and,

FIG. 8 is an environmental perspective view of a cigar holder as shown in FIG. 1 holding a cigar and attached to a rim of an object such as a glass.

The broken line showing of a cigar and surface shown in FIG. 8 is included for the purpose of illustrating environmental structures and forms no part of the claimed design.

1 Claim, 5 Drawing Sheets



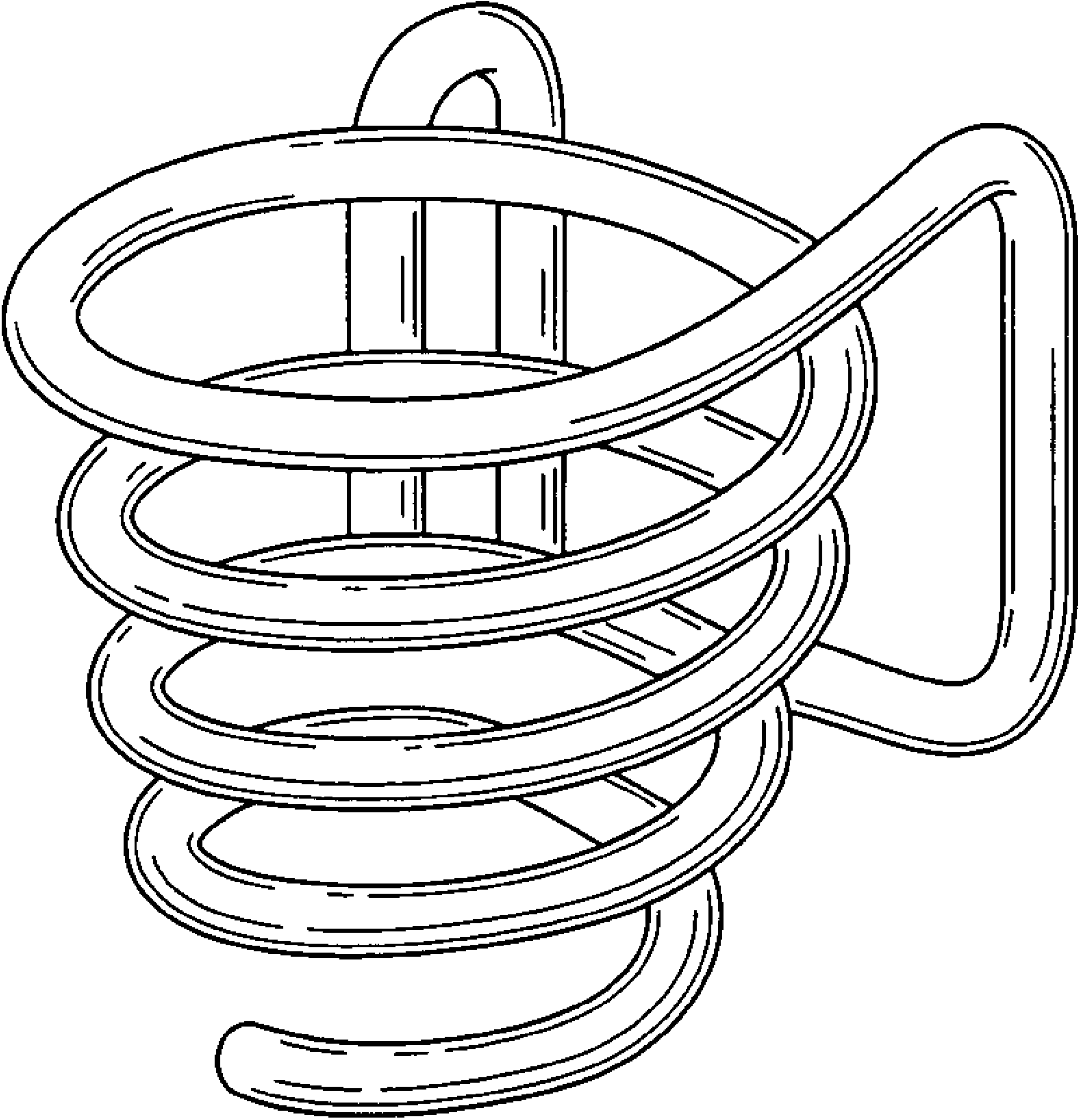


FIG. 1

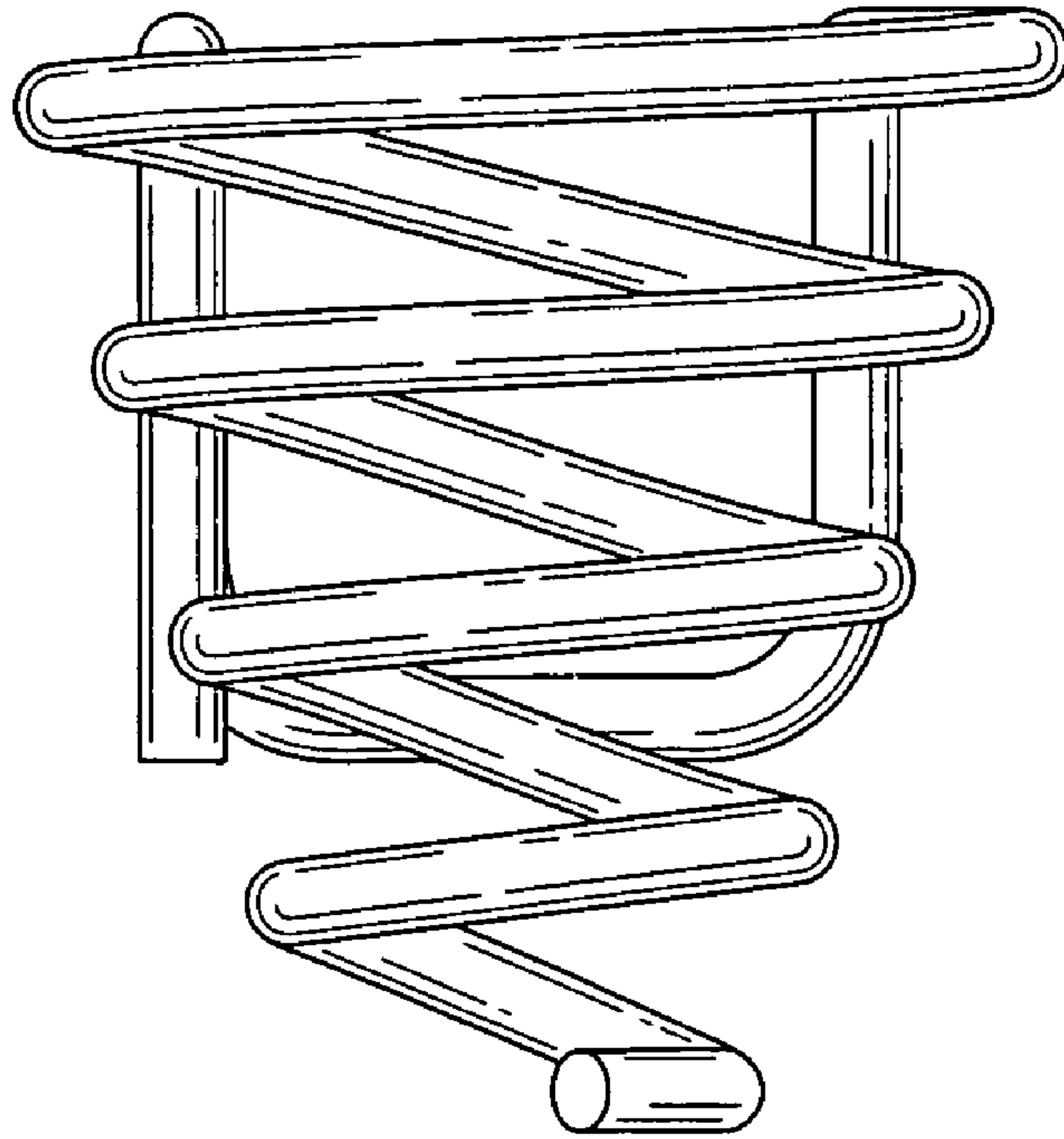


FIG. 2

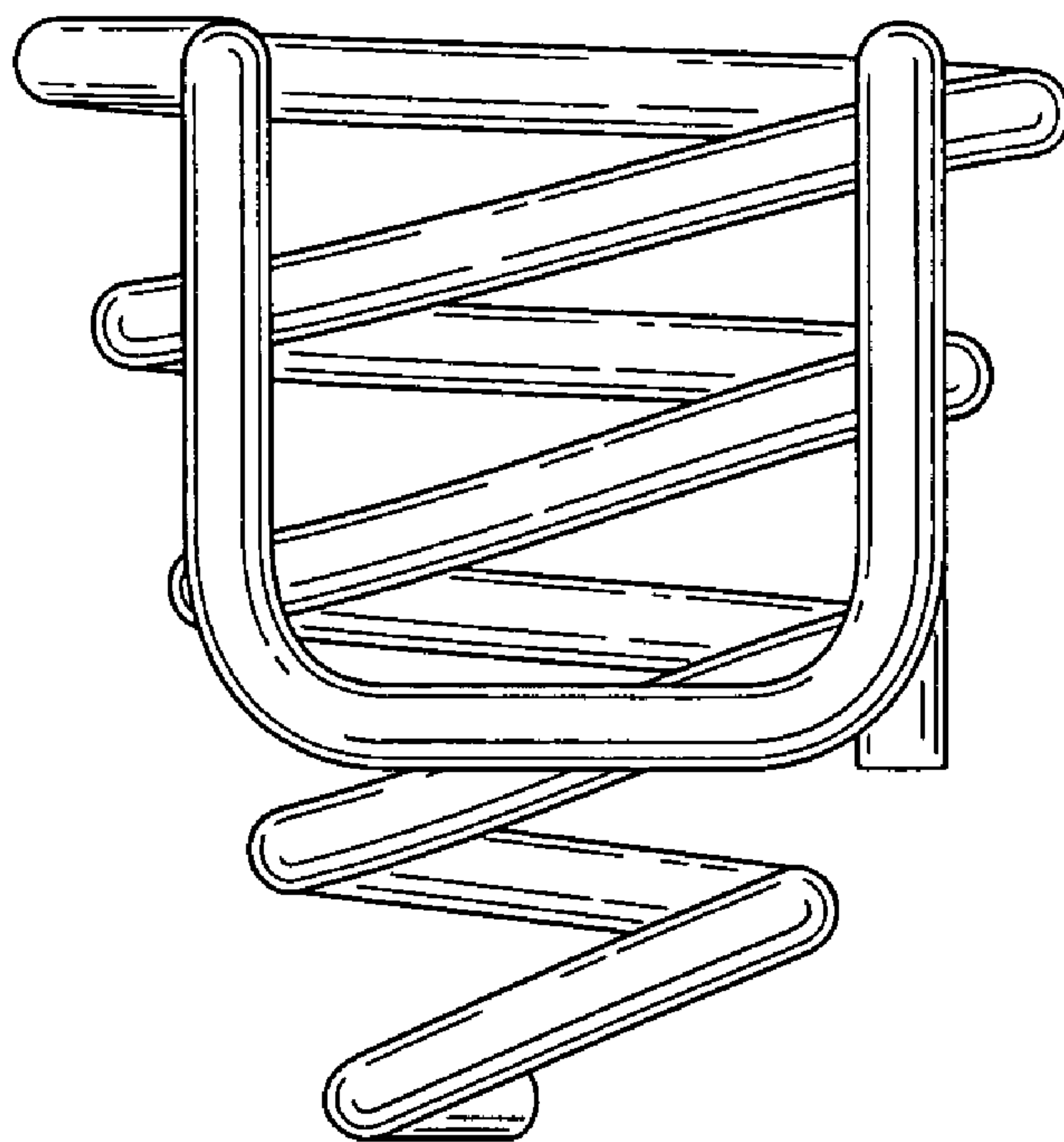


FIG. 3

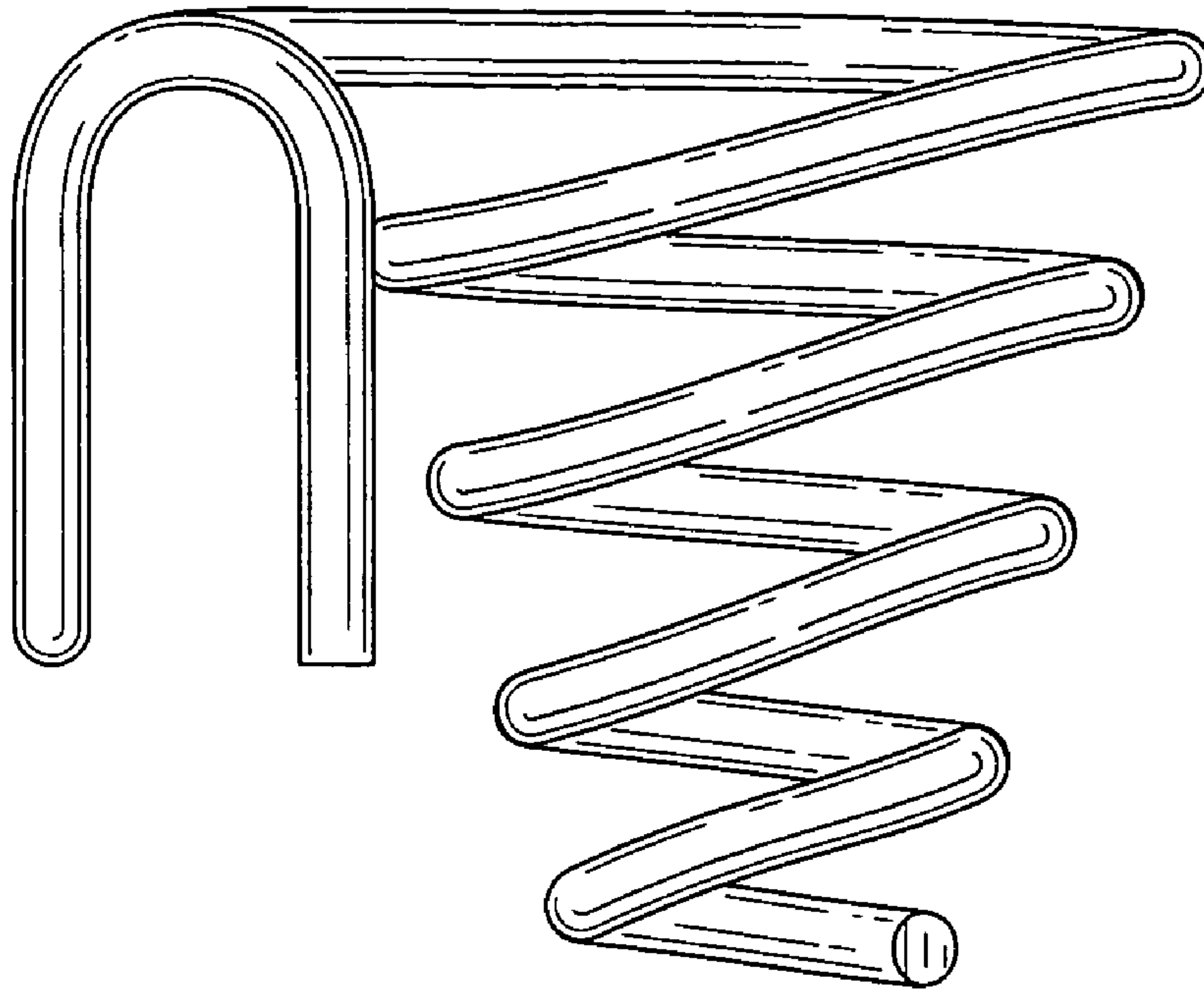


FIG. 4

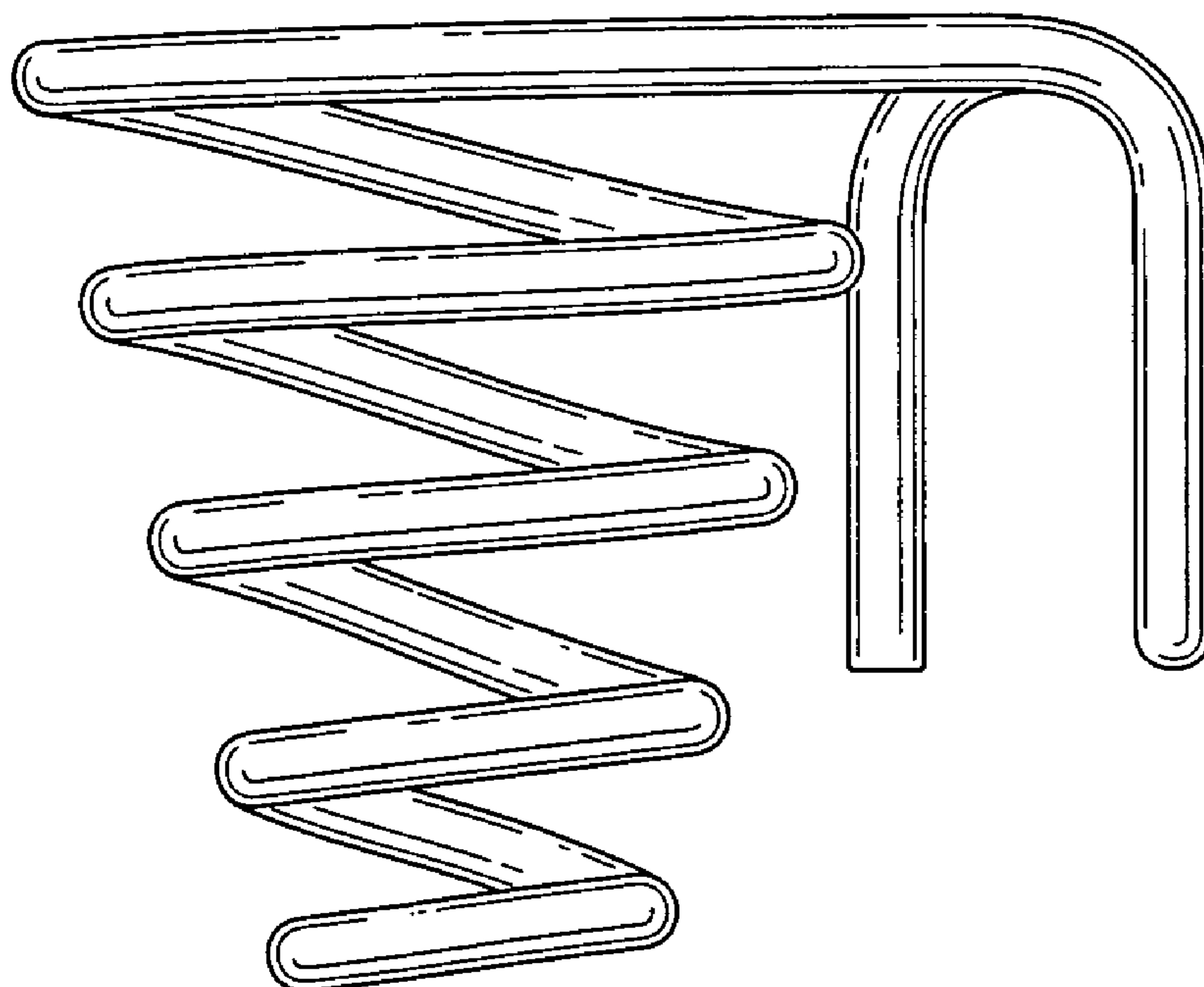


FIG. 5

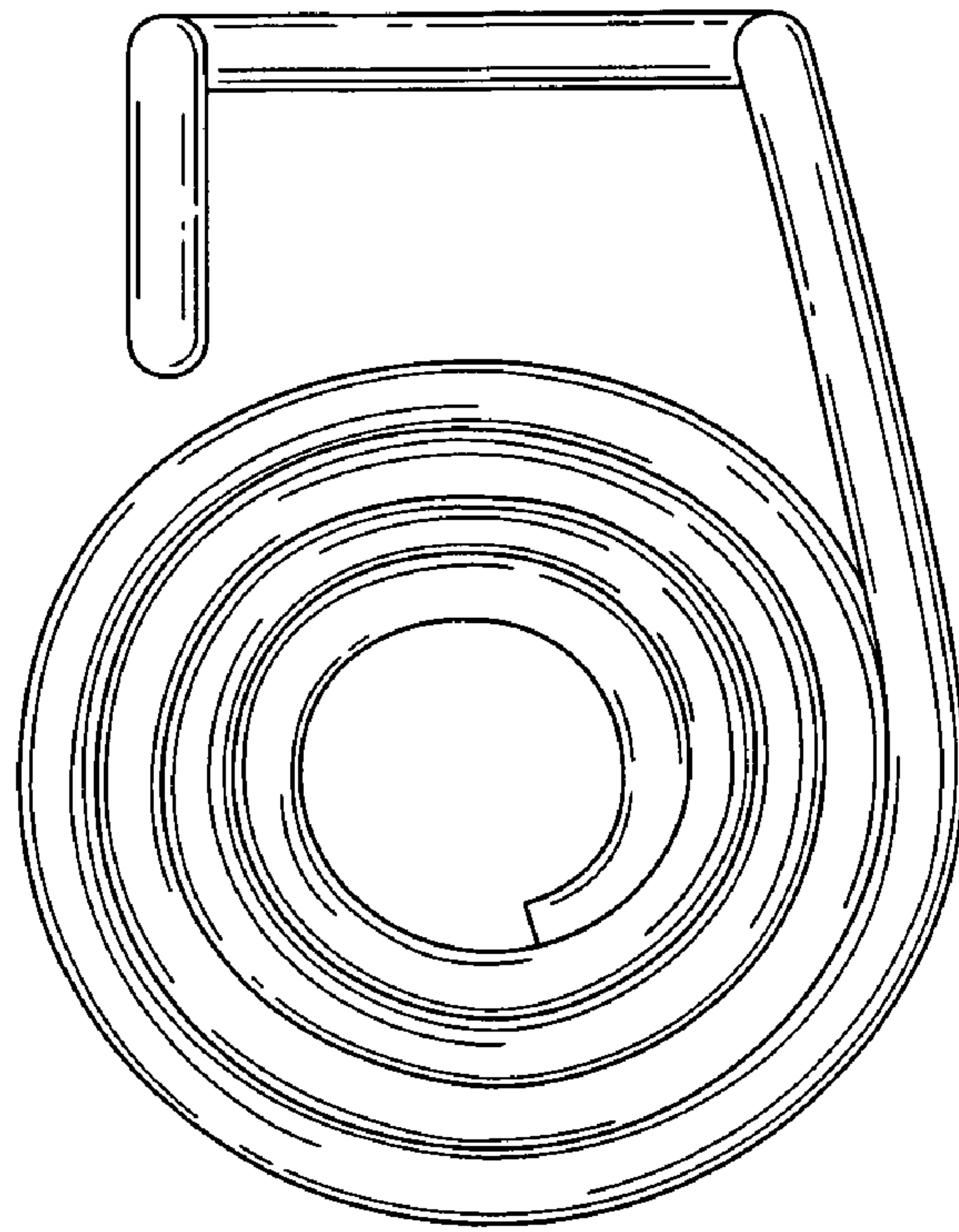


FIG. 6

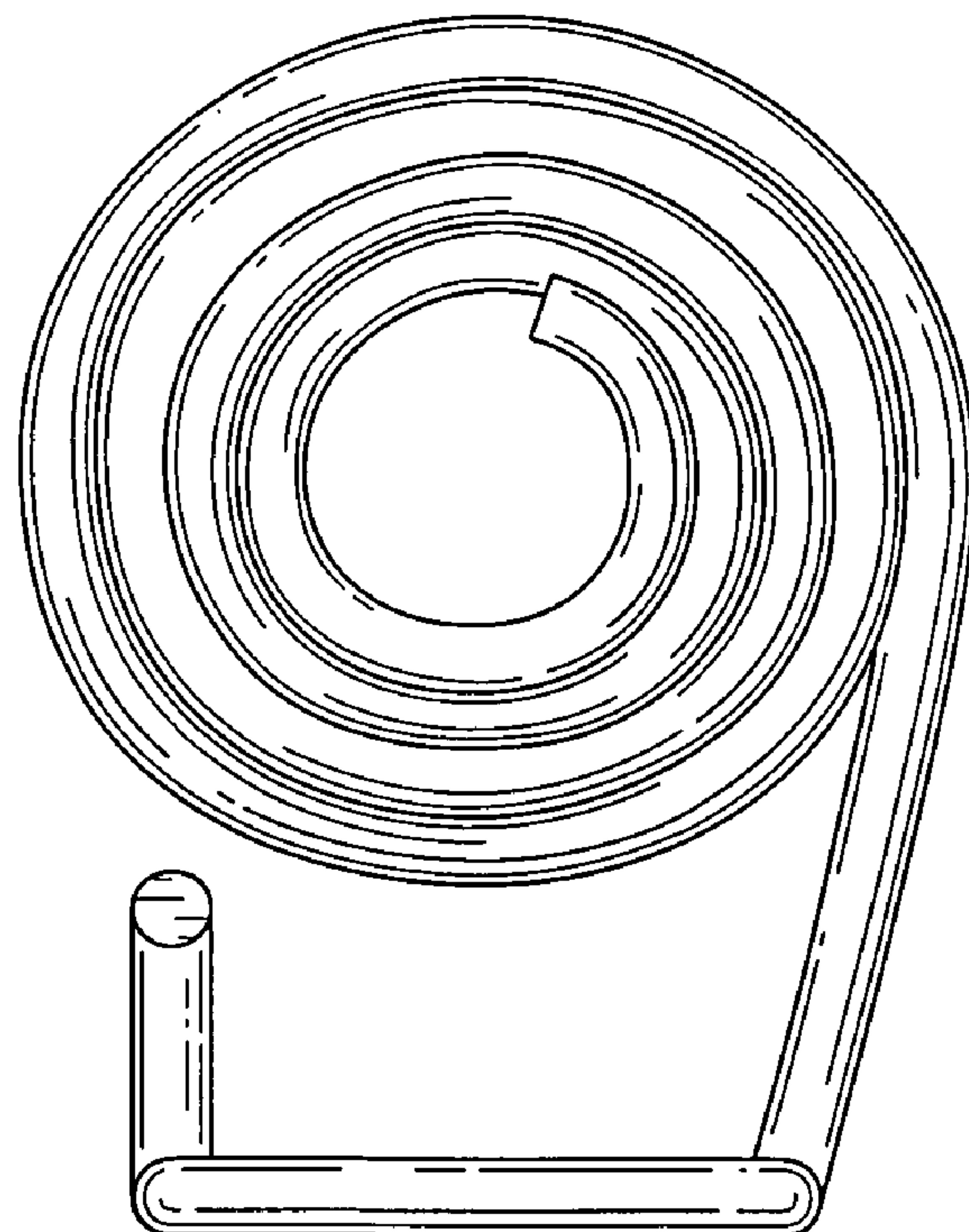


FIG. 7

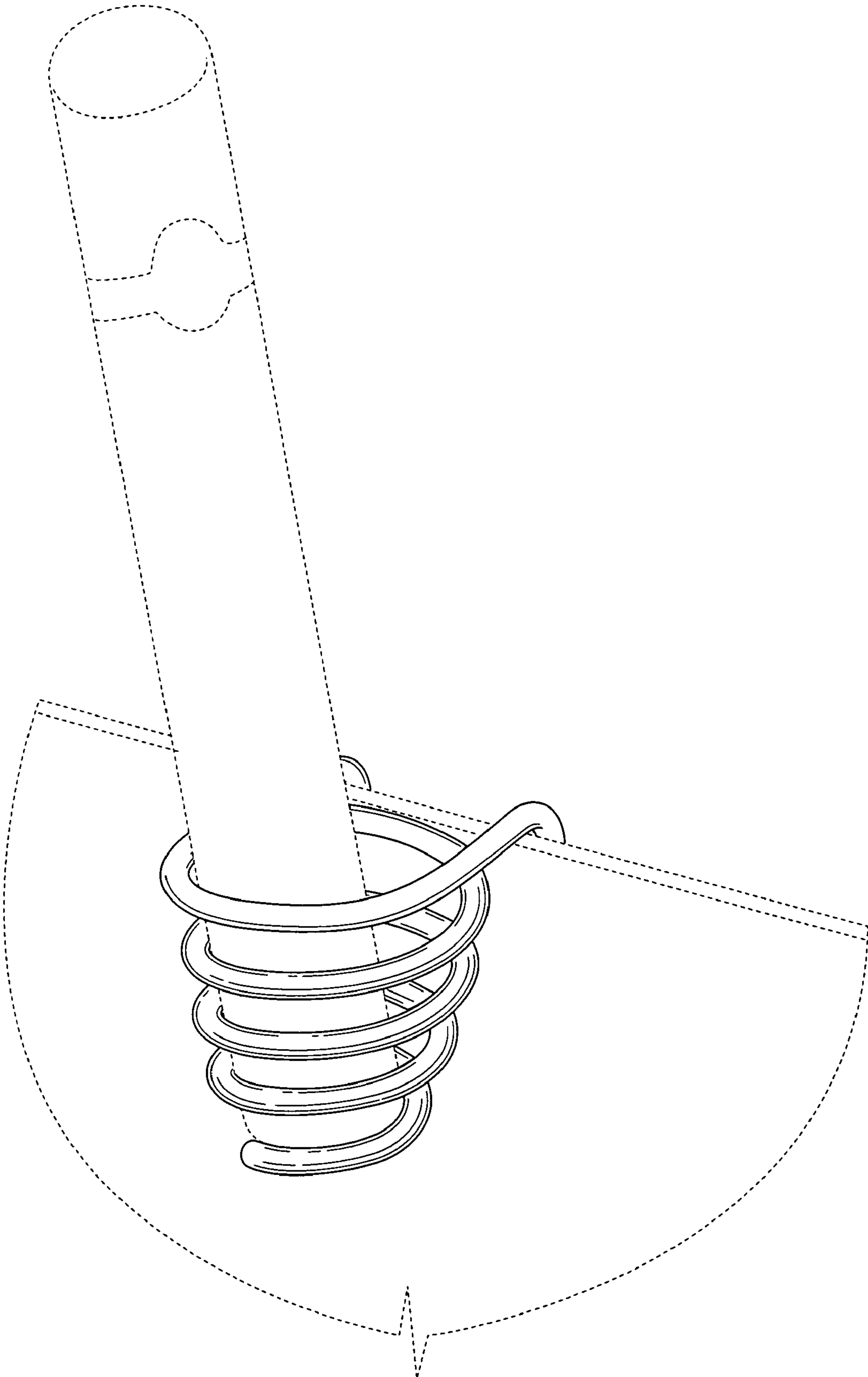


FIG. 8