

US00D649708S

(12) **United States Design Patent**  
**Oneil**

(10) **Patent No.:** **US D649,708 S**

(45) **Date of Patent:** **\*\* Nov. 29, 2011**

- (54) **ELECTRONIC CIGARETTE**
- (76) Inventor: **Robert Oneil**, Alfred, ME (US)
- (\*\*) Term: **14 Years**
- (21) Appl. No.: **29/372,950**
- (22) Filed: **Feb. 10, 2011**
- (51) **LOC (9) Cl.** ..... **27-02**
- (52) **U.S. Cl.** ..... **D27/163**
- (58) **Field of Classification Search** ..... D27/163,  
D27/165, 101, 100, 172, 161, 187, 170; 131/179,  
131/191, 351, 194, 331, 349, 256, 347, 365,  
131/335, 361, 364, 215.1, 215.3, 202, 205,  
131/206, 163, 180, 181, 162, 173, 330, 186,  
131/187

See application file for complete search history.

(56) **References Cited**

**U.S. PATENT DOCUMENTS**

D256,168	S	*	7/1980	Thompson et al.	.....	D27/194
D347,490	S	*	5/1994	Gee et al.	.....	D27/194
5,388,594	A	*	2/1995	Counts et al.	.....	131/329
5,388,595	A	*	2/1995	Shafer	.....	131/329
5,529,078	A	*	6/1996	Rehder et al.	.....	131/175
D371,633	S	*	7/1996	Chenard	.....	D27/163
5,848,596	A	*	12/1998	Zelenik	.....	131/329
D409,328	S	*	5/1999	Sigrist	.....	D27/165
5,934,289	A	*	8/1999	Watkins et al.	.....	131/328
D422,113	S	*	3/2000	Higgins et al.	.....	D27/186
6,089,857	A	*	7/2000	Matsuura et al.	.....	431/142
D442,328	S	*	5/2001	Barnes	.....	D27/163

6,615,840	B1	*	9/2003	Fournier et al.	.....	131/194
6,803,550	B2	*	10/2004	Sharpe et al.	.....	219/635
D577,150	S	*	9/2008	Bryman et al.	.....	D27/163
7,694,685	B1	*	4/2010	Jones	.....	131/185
7,753,055	B2	*	7/2010	Bryman	.....	131/351
7,905,236	B2	*	3/2011	Bryman et al.	.....	131/351
2004/0187879	A1	*	9/2004	Iordan	.....	131/194

\* cited by examiner

*Primary Examiner* — Kevin Rudzinski

(57) **CLAIM**

The ornamental design for an electronic cigarette, as shown and described.

**DESCRIPTION**

FIG. 1 is top perspective view of the electronic cigarette according to the invention;  
 FIG. 2 is a front elevation view of the electronic cigarette of FIG. 1;  
 FIG. 3 is a rear elevation view of the electronic cigarette of FIG. 1;  
 FIG. 4 is a top plan view of the electronic cigarette of FIG. 1;  
 and,  
 FIG. 5 is a bottom plan view of the electronic cigarette of FIG. 1.

The broken lines shown in the drawings illustrating unclaimed portions of the electronic cigarette form no part of the claimed design.

**1 Claim, 3 Drawing Sheets**

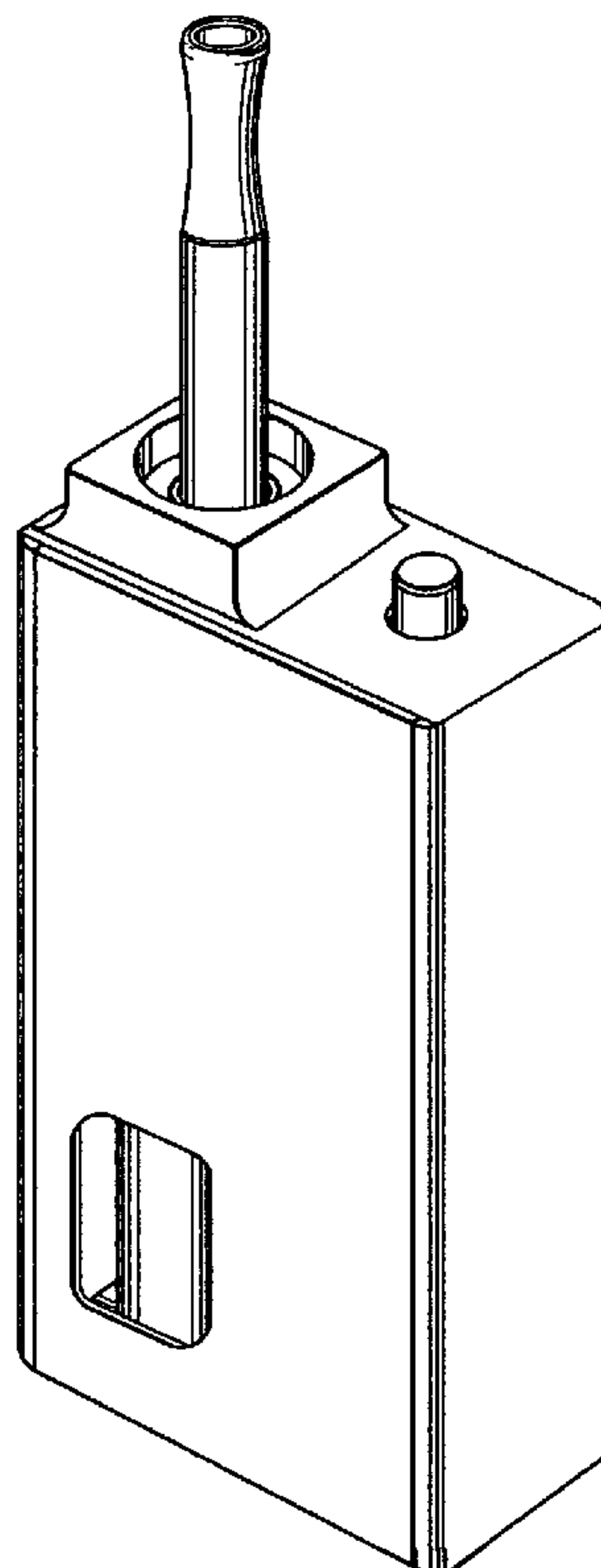


FIG. 1

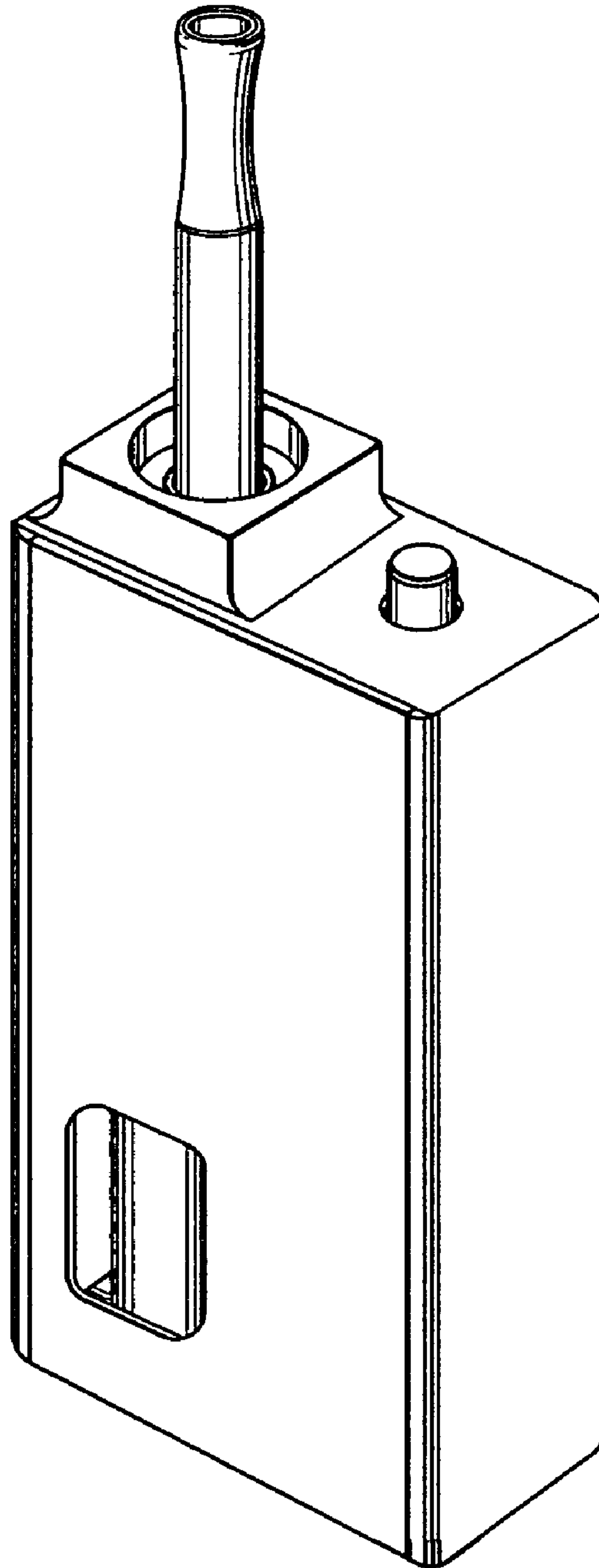


FIG. 2

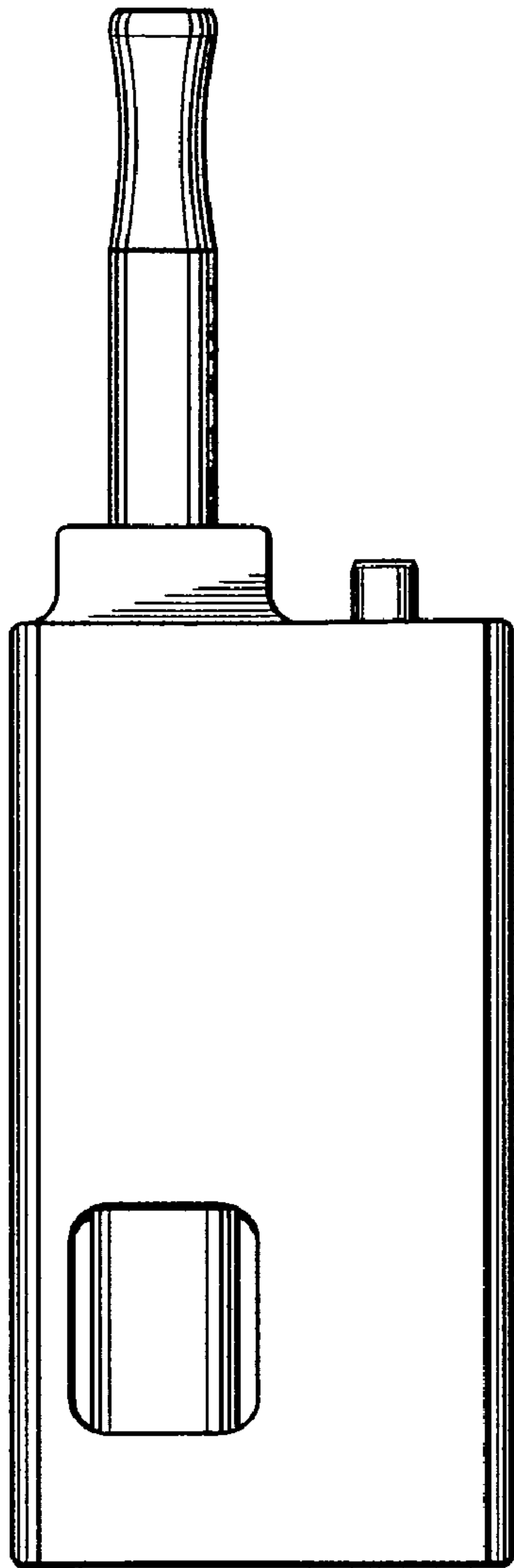


FIG. 3

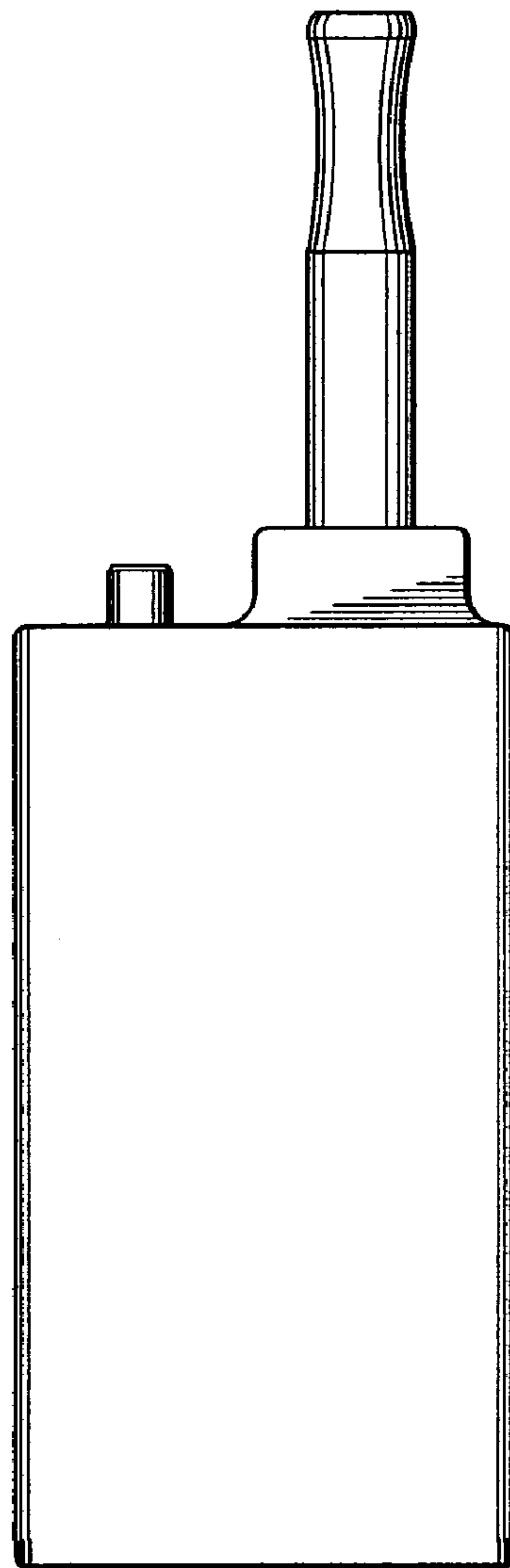


FIG. 4

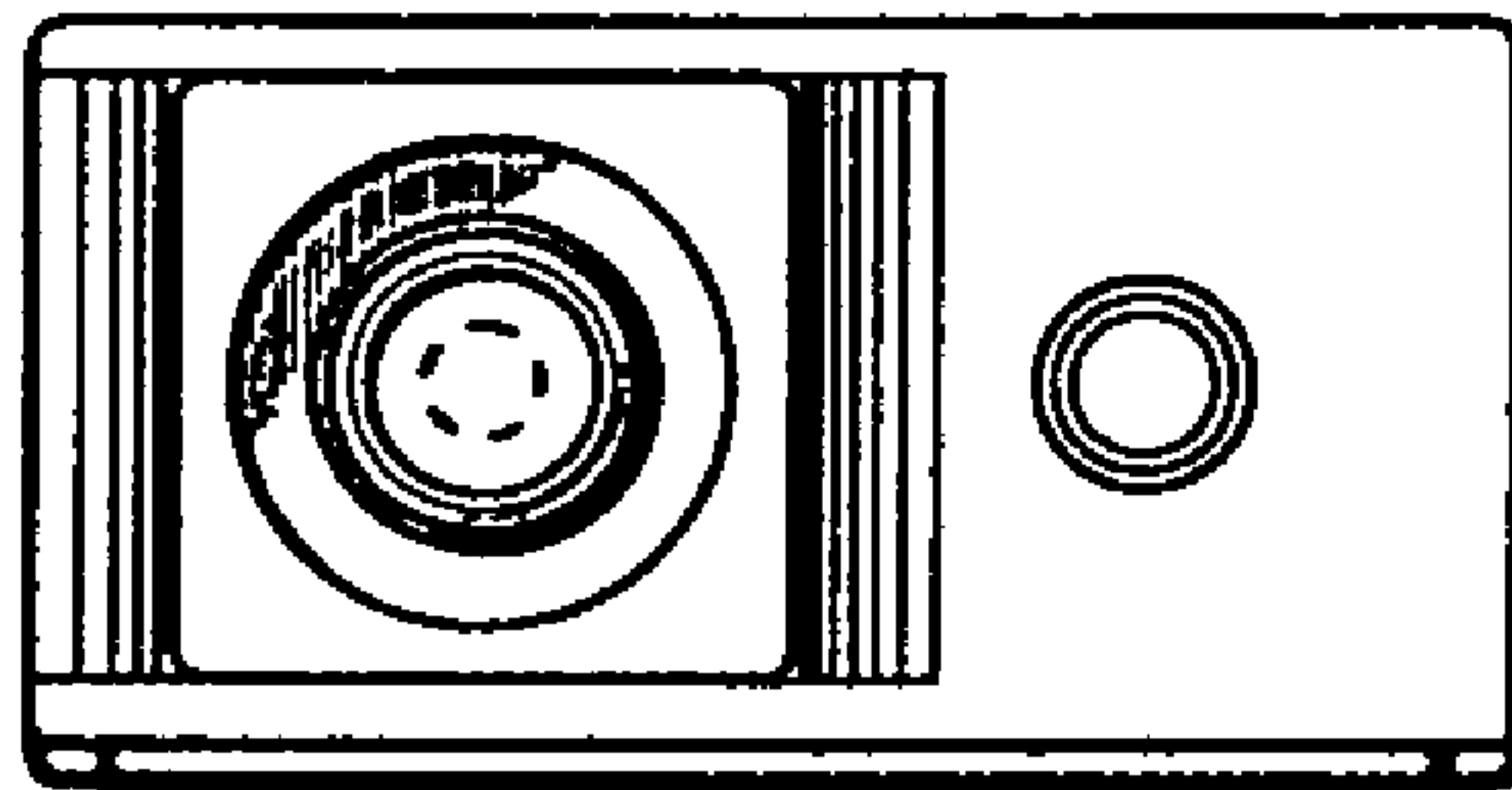


FIG. 5

