



US00D649695S

(12) **United States Design Patent**  
**Beausoleil**

(10) **Patent No.:** **US D649,695 S**

(45) **Date of Patent:** **\*\* Nov. 29, 2011**

(54) **MOUNTING DEVICE FOR A LIGHT  
FIXTURE**

D303,849 S \* 10/1989 Nugent ..... D26/85  
D318,536 S \* 7/1991 Jones et al. .... D26/138  
5,044,971 A 9/1991 Hollingsworth

(76) **Inventor:** **David M. Beausoleil**, Ridgewood, NJ  
(US)

(Continued)

(\*\*) **Term:** **14 Years**

**OTHER PUBLICATIONS**

(21) **Appl. No.:** **29/393,676**

Integral Lighting brochure entitled, "Hardscape Lighting Solutions,"  
Integral Lighting, 165 West Fairview Street, Wernersville, PA 19565,  
www.integral-lighting.com, 16 pp., 2010.

(22) **Filed:** **Jun. 8, 2011**

*Primary Examiner* — Kevin Rudzinski

(51) **LOC (9) Cl.** ..... **26-99**

(74) *Attorney, Agent, or Firm* — Doherty IP Law Group LLC

(52) **U.S. Cl.** ..... **D26/142**

(58) **Field of Classification Search** ..... D26/38,  
D26/36, 46, 73, 76, 81, 84, 88, 118, 138,  
D26/120, 13, 154, 155, 145, 86, 87, 85, 142,  
D26/61, 24, 93, 92, 153, 91, 89, 74, 121,  
D26/122, 71, 110, 105, 111, 131, 83, 80,  
D26/1, 2, 3, 4, 5, 26, 123, 125, 128, 63, 62,  
D26/64, 65, 41, 69, 139, 152, 150, 151, 141,  
D26/143, 144, 51, 140; 362/269, 648, 238,  
362/111, 105, 86, 373, 294, 362, 297, 346,  
362/341, 356, 352, 433, 404, 235, 240, 249.01–249.11,  
362/321, 287, 374, 427, 190, 281, 324, 272,  
362/244, 555, 147, 348, 263, 350; D10/11,  
D10/114.1; D22/108; 42/146, 117, 114,  
42/115, 116, 142, 1.01; 439/110; 403/92,  
403/97; 285/69, 78, 65; 257/89; D16/221;  
D13/110, 133, 134, 179, 180, 182; 160/332;  
D11/90, 89, 121, 125, 131; D25/119, 124,  
D25/125, 138; D23/386; D8/373, 354, 349,  
D8/389, 382, 363, 356, 377

See application file for complete search history.

(57) **CLAIM**

The ornamental design for a mounting device for a light  
fixture, as shown and described.

**DESCRIPTION**

FIG. 1 is a top perspective view of a mounting device for a  
light fixture, showing our new design;  
FIG. 2 is a top plan view of the mounting device for a light  
fixture shown in FIG. 1;  
FIG. 3 is a front elevation view of the mounting device for a  
light fixture shown in FIG. 1;  
FIG. 4 is a right side view of the mounting device for a light  
fixture shown in FIG. 1;  
FIG. 5 is a left side view of the mounting device for a light  
fixture shown in FIG. 1;  
FIG. 6 is a rear elevation view of the mounting device for a  
light fixture shown in FIG. 1;  
FIG. 7 is a bottom plan view of the mounting device for a light  
fixture shown in FIG. 1; and,  
FIG. 8 is a bottom perspective view of the mounting device  
for a light fixture shown in FIG. 1.

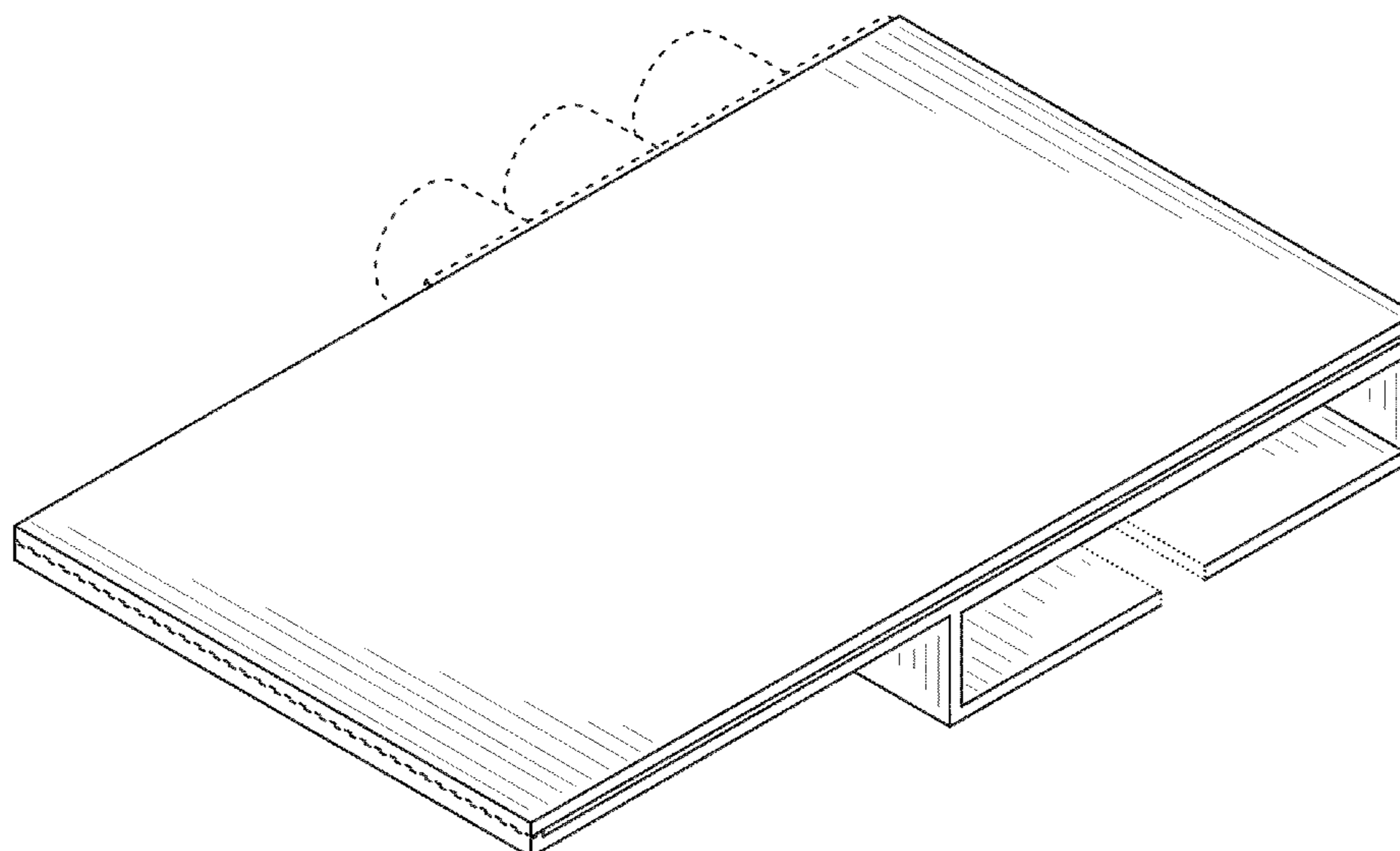
The broken lines shown in the drawings illustrating  
unclaimed portions of the design and environmental struc-  
tures form no part of the claimed design.

(56) **References Cited**

**U.S. PATENT DOCUMENTS**

3,055,510 A \* 9/1962 Coates ..... 211/164  
D281,725 S \* 12/1985 Schreiner ..... D26/93  
D283,550 S \* 4/1986 Greco ..... D25/119  
4,797,112 A 1/1989 Weisenburger

**1 Claim, 5 Drawing Sheets**



# US D649,695 S

Page 2

## U.S. PATENT DOCUMENTS

D322,813	S	*	12/1991	Wilson	.....	D19/88			
D333,086	S	*	2/1993	Karas et al.	.....	D8/389			
D337,011	S	*	7/1993	Duffy et al.	.....	D6/513			
D351,195	S	*	10/1994	Altman	.....	D20/40			
D361,138	S	*	8/1995	Moore et al.	.....	D25/119			
D382,245	S	*	8/1997	Bedrosian et al.	.....	D12/223			
D397,489	S	*	8/1998	Alexander	.....	D26/118			
5,943,827	A		8/1999	Okerlund					
D422,107	S	*	3/2000	Meier	.....	D26/87			
D429,457	S	*	8/2000	Thomas	.....	D8/356			
D454,962	S	*	3/2002	Grace	.....	D25/119			
6,360,508	B1	*	3/2002	Pelfrey et al.	.....	52/520			
D482,261	S	*	11/2003	Kobayashi	.....	D8/349			
6,708,504	B2	*	3/2004	Brandt et al.	.....	62/63			
6,976,765	B2		12/2005	Helenowski					
D534,790	S	*	1/2007	Garda	.....	D8/377			
D550,541	S	*	9/2007	Blanchard	.....	D8/354			
7,290,904	B2		11/2007	Miller					
D564,128	S	*	3/2008	Hartman	.....	D26/120			
D570,037	S		5/2008	Hartman					
D576,763	S		9/2008	Hartman					
D583,649	S	*	12/2008	Parker	.....	D8/349			
D586,453	S	*	2/2009	Yusa et al.	.....	D23/386			
7,524,077	B2		4/2009	Hartman					
D621,989	S	*	8/2010	Proner	.....	D26/76			
D639,142	S	*	6/2011	Antonic	.....	D8/354			

\* cited by examiner

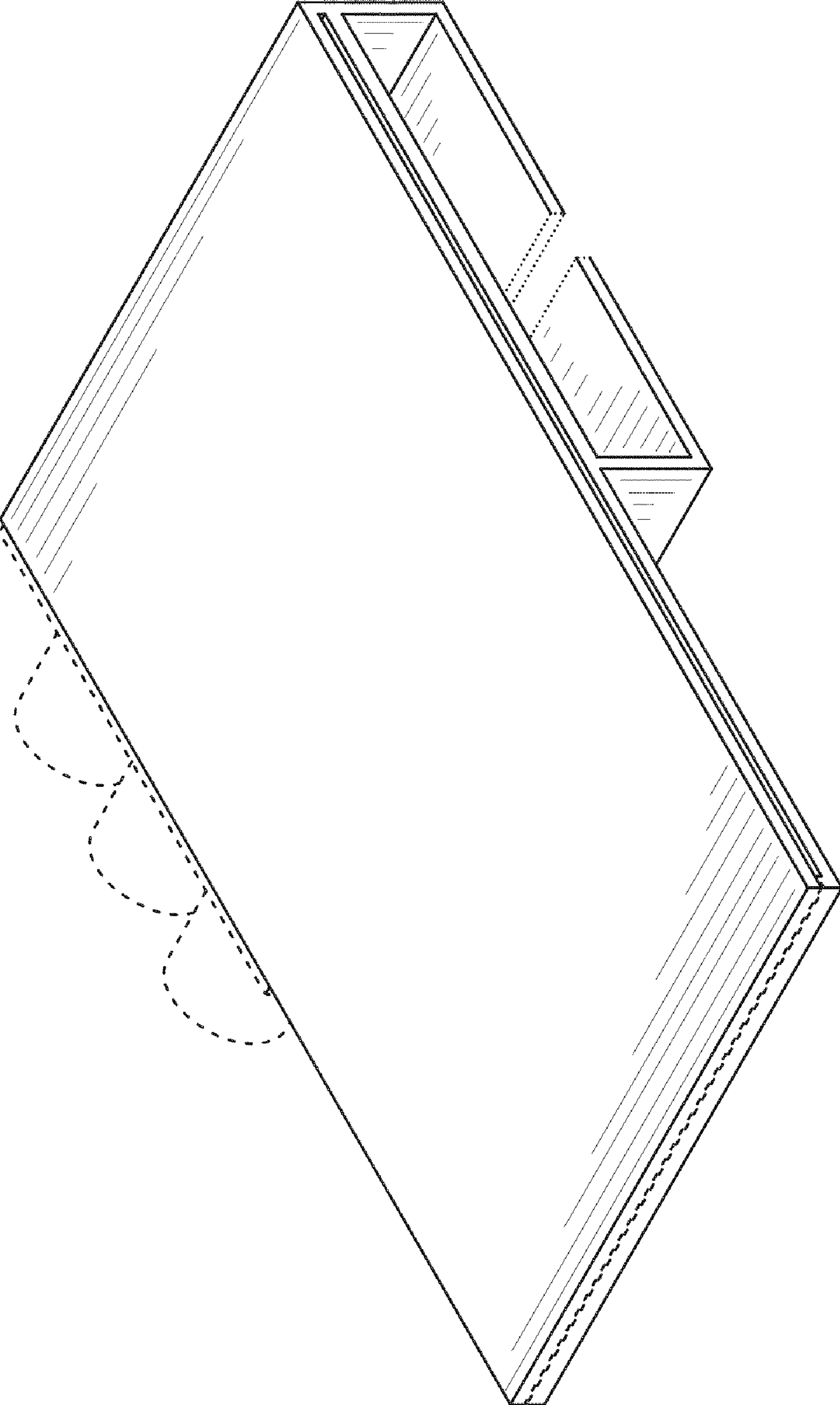


FIG. 1

FIG. 2

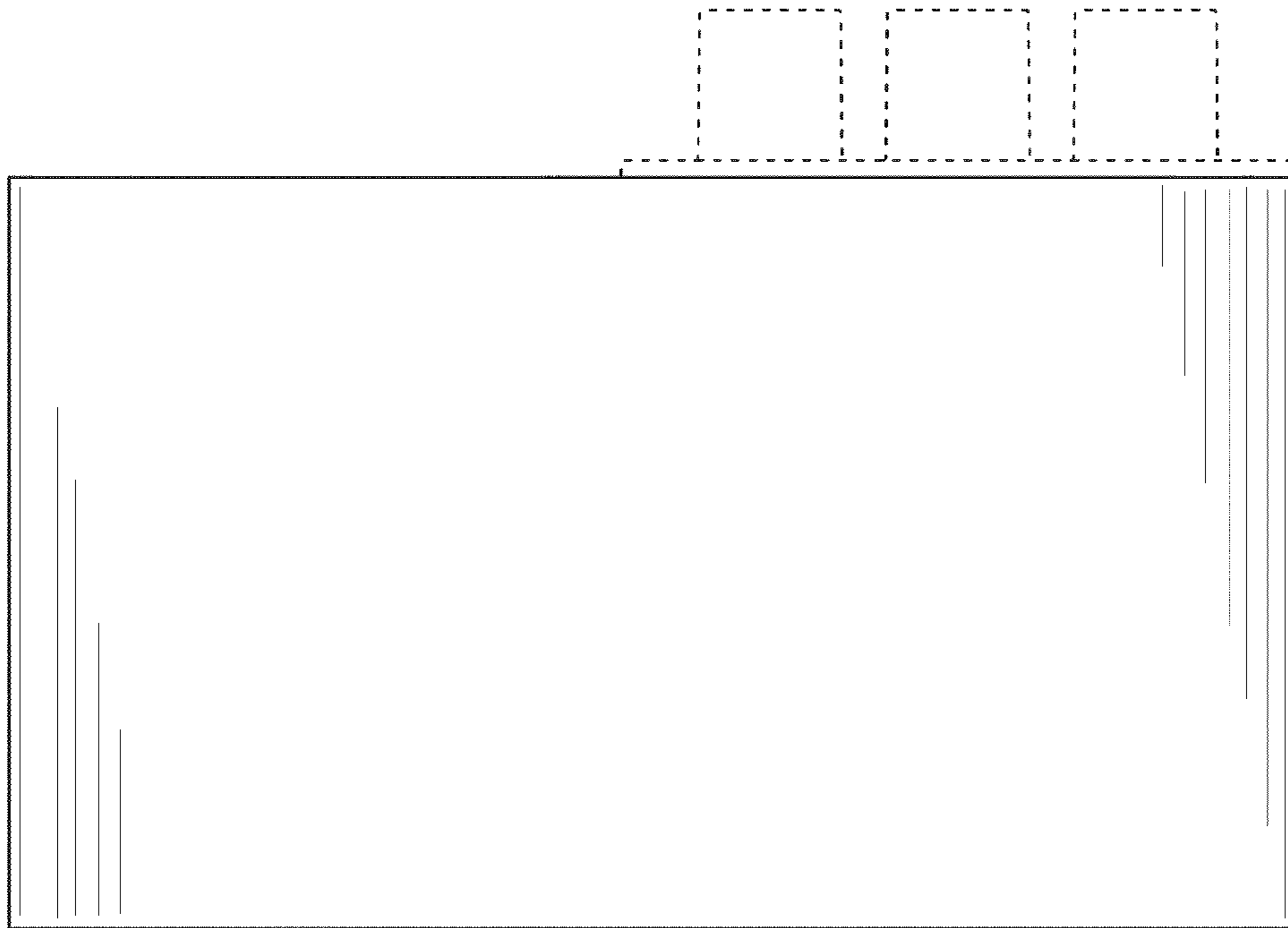


FIG. 3

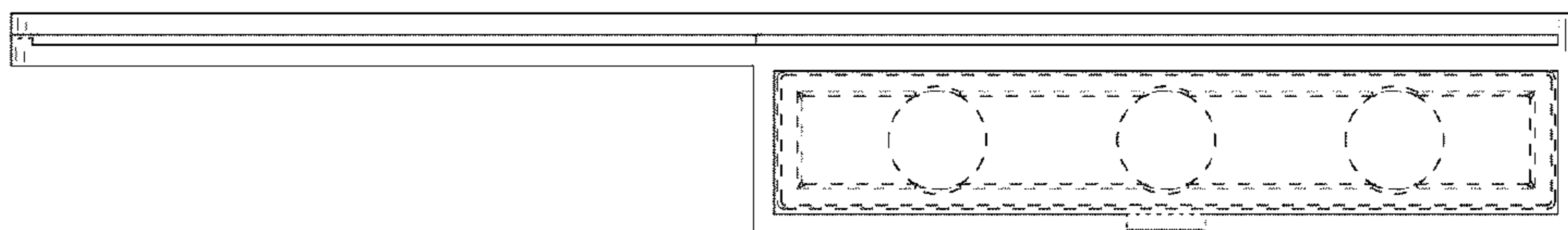


FIG. 4

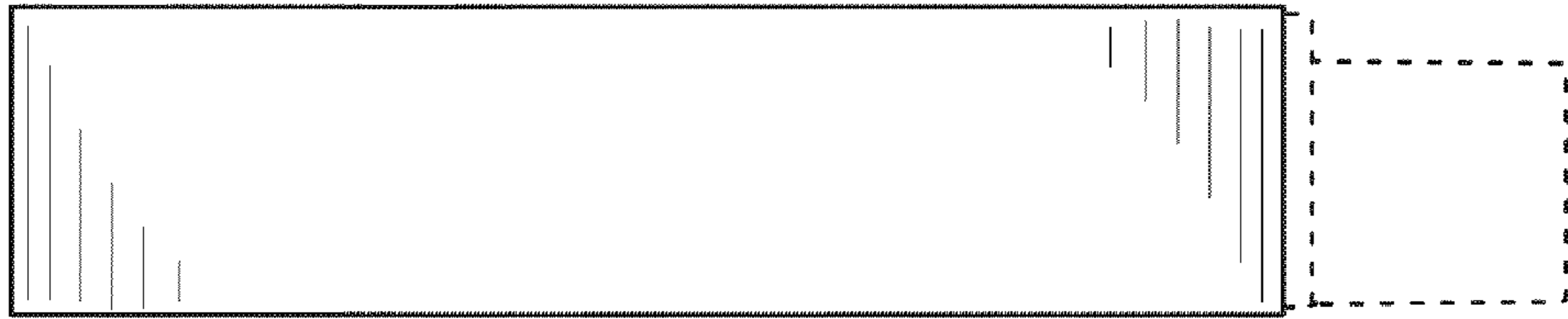


FIG. 5

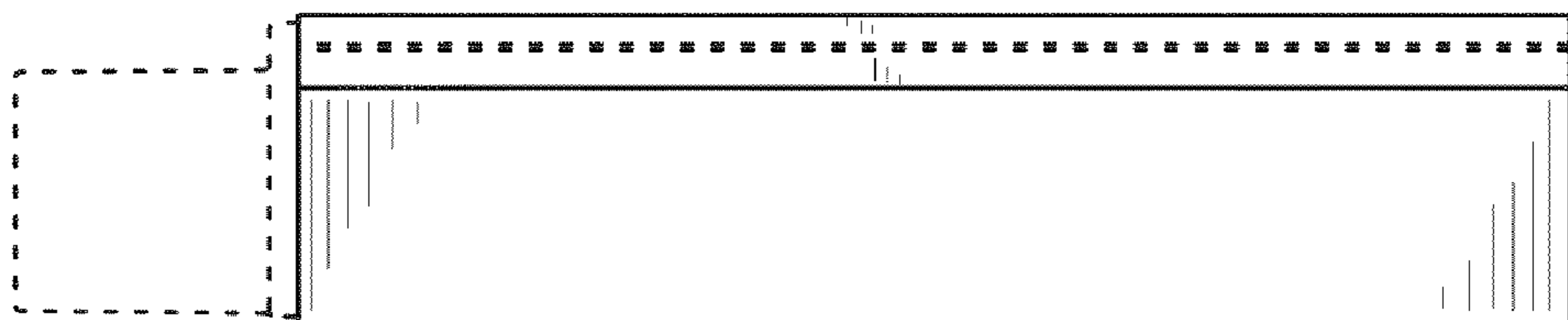


FIG. 6

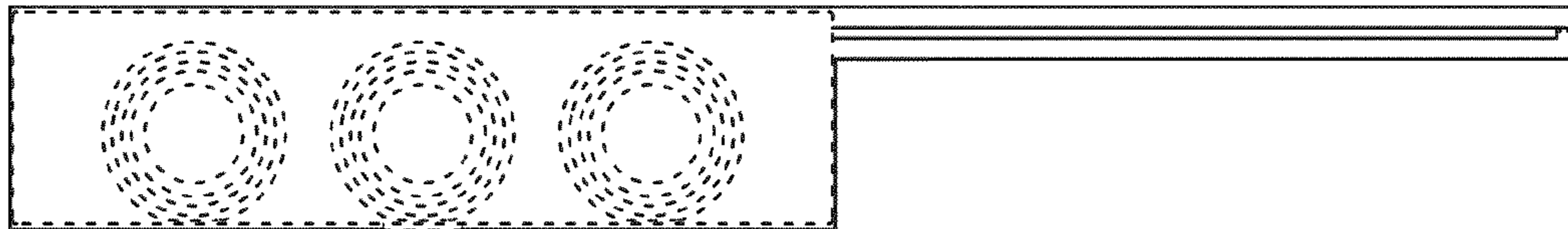
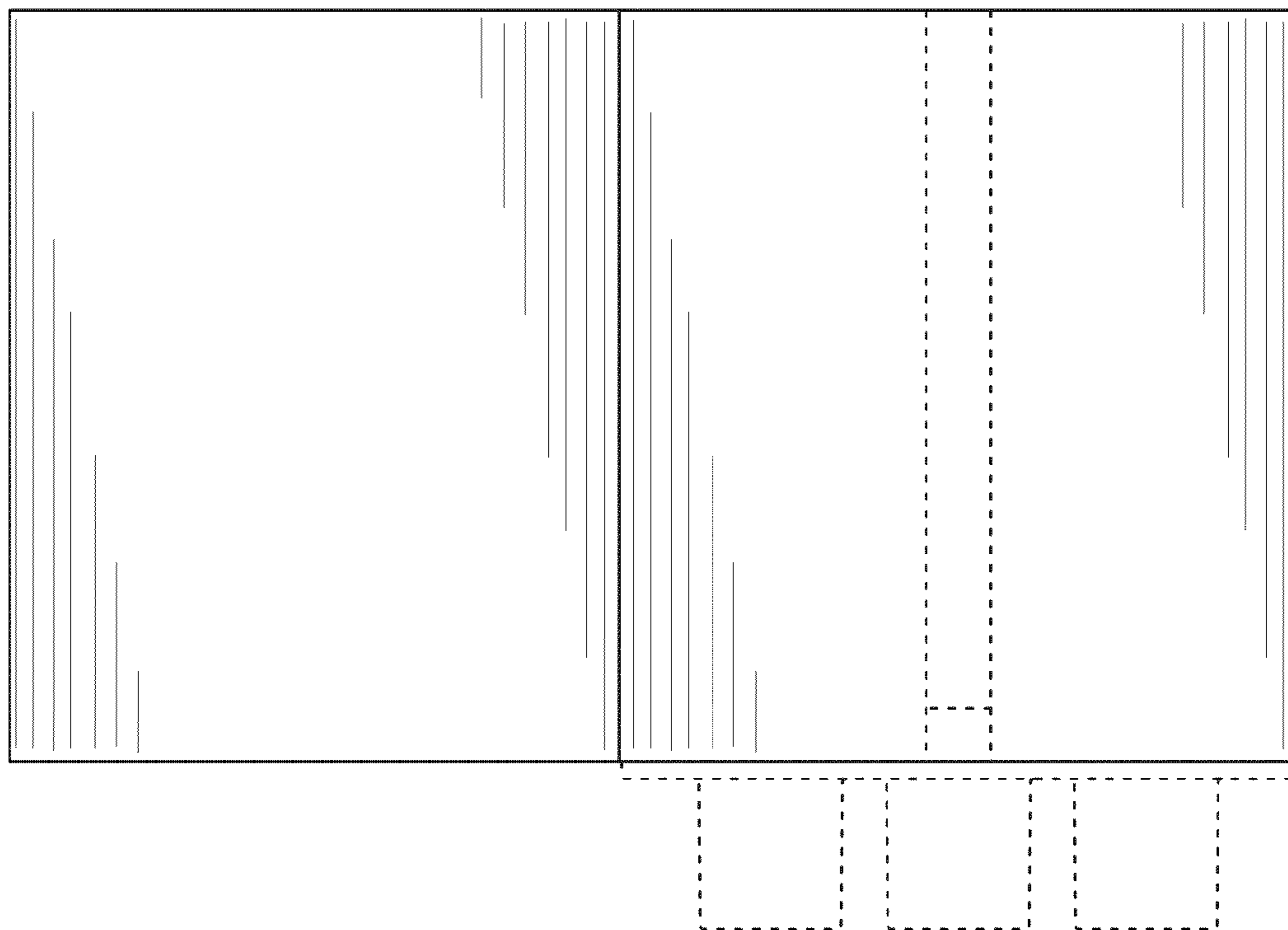


FIG. 7



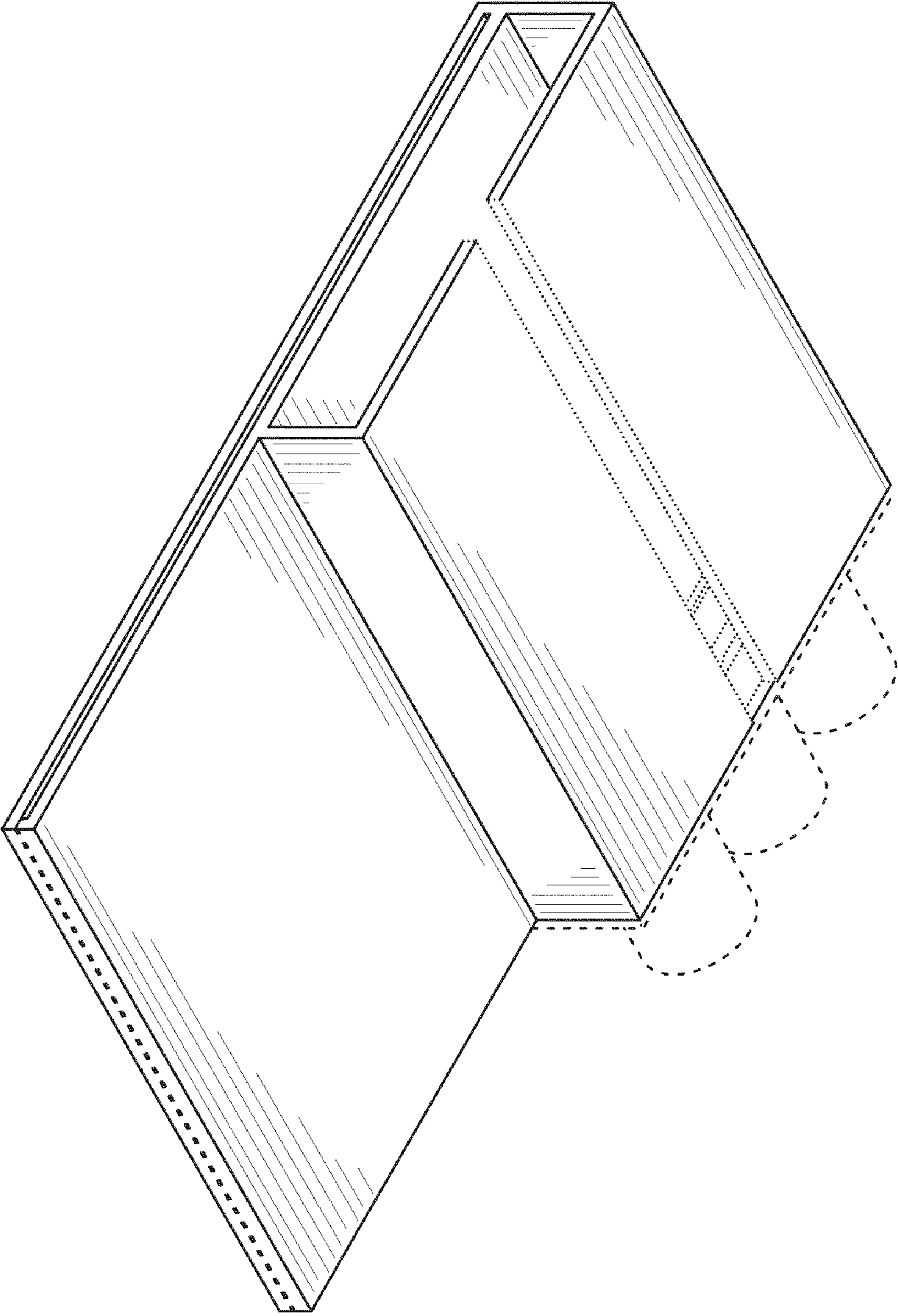


FIG. 8