



US00D649694S

(12) **United States Design Patent**
Kong et al.

(10) **Patent No.:** **US D649,694 S**

(45) **Date of Patent:** **** Nov. 29, 2011**

(54) **LED LIGHTING APPARATUS**

(75) Inventors: **Kyung-II Kong**, Seoul (KR); **Hwayoung Kim**, Seoul (KR); **Jihoo Kim**, Seoul (KR)

(73) Assignee: **LG Innotek Co., Ltd.**, Seoul (KR)

(**) Term: **14 Years**

(21) Appl. No.: **29/376,801**

(22) Filed: **Oct. 12, 2010**

(30) **Foreign Application Priority Data**

Apr. 10, 2010 (KR) 30-2010-0015892
Apr. 10, 2010 (KR) 30-2010-0015893

(51) **LOC (9) Cl.** **26-99**

(52) **U.S. Cl.** **D26/142; D26/71**

(58) **Field of Classification Search** D26/67-71,
D26/85, 92, 141, 142; 362/145, 183, 231,
362/240, 249.02, 249.03, 249.04, 249.06,
362/249.16, 373, 311.02, 697, 547, 431,
362/432

See application file for complete search history.

(56) **References Cited**

U.S. PATENT DOCUMENTS

D201,700 S * 7/1965 Stockwell D26/71
3,448,259 A * 6/1969 Nitsch et al. 362/326
D456,926 S * 5/2002 Gaskins et al. D26/71
D482,481 S * 11/2003 Landefeld D26/71
D577,847 S * 9/2008 Ruud et al. D26/71
D599,940 S * 9/2009 Zheng D26/71

D607,593 S * 1/2010 Yoo D26/71
D622,433 S * 8/2010 Waters D26/71
D626,266 S * 10/2010 Verelst D26/71
D629,552 S * 12/2010 Zhang D26/71
D635,288 S * 3/2011 Zolotykh et al. D26/71
D636,106 S * 4/2011 Lee et al. D26/71
D637,336 S * 5/2011 Van Klinken et al. D26/71

* cited by examiner

Primary Examiner — Clare E Heflin

(74) *Attorney, Agent, or Firm* — KED & Associates LLP

(57) **CLAIM**

We claim the ornamental design for a “LED lighting apparatus,” as shown and described.

DESCRIPTION

FIG. 1 is a front perspective view of a LED lighting apparatus showing the new design;

FIG. 2 is a front view of the LED lighting apparatus of FIG. 1;

FIG. 3 is a rear view of the LED lighting apparatus of FIG. 1;

FIG. 4 is a left side view of the LED lighting apparatus of FIG. 1;

FIG. 5 is a right side view of the LED lighting apparatus of FIG. 1;

FIG. 6 is a top view of the LED lighting apparatus of FIG. 1;

FIG. 7 is a bottom view of the LED lighting apparatus of FIG. 1; and,

FIG. 8 is a front perspective view of the LED lighting apparatus of FIG. 1 shown in use with the light emitting part in diagonal line.

The broken lines shown on the drawings depict portions of the head for a street lamp that form no part of the claimed design.

1 Claim, 5 Drawing Sheets

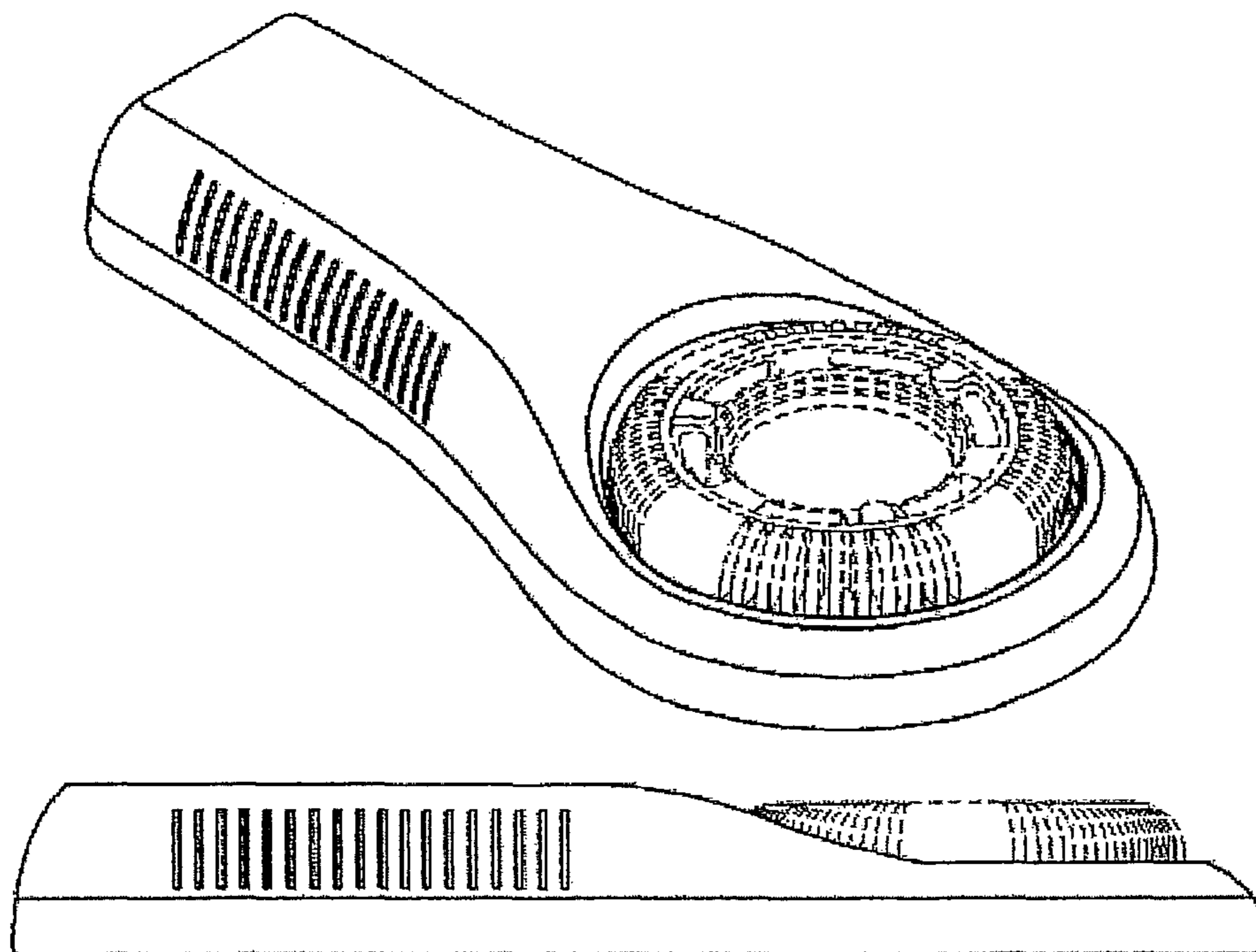


Figure 1

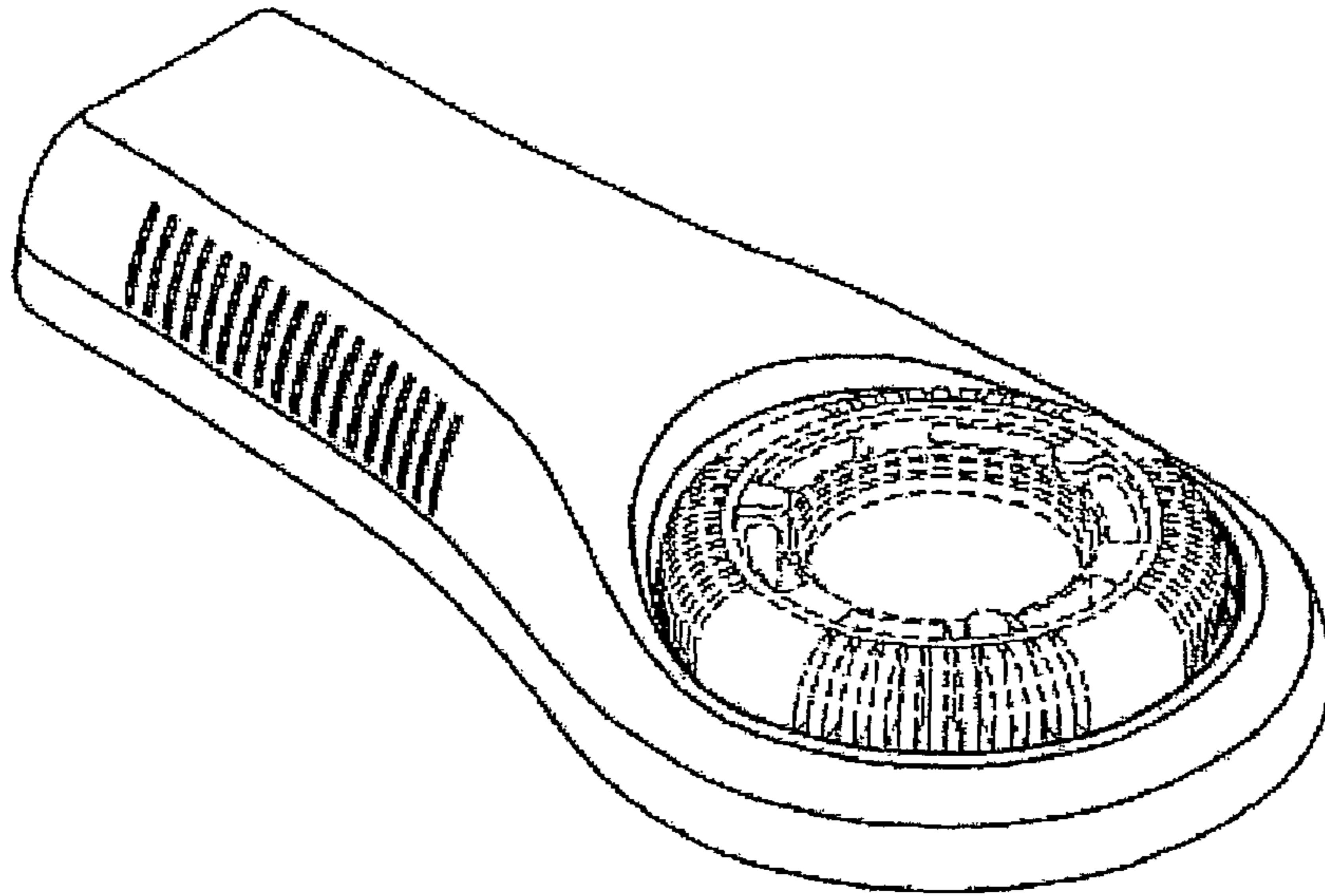


Figure 2

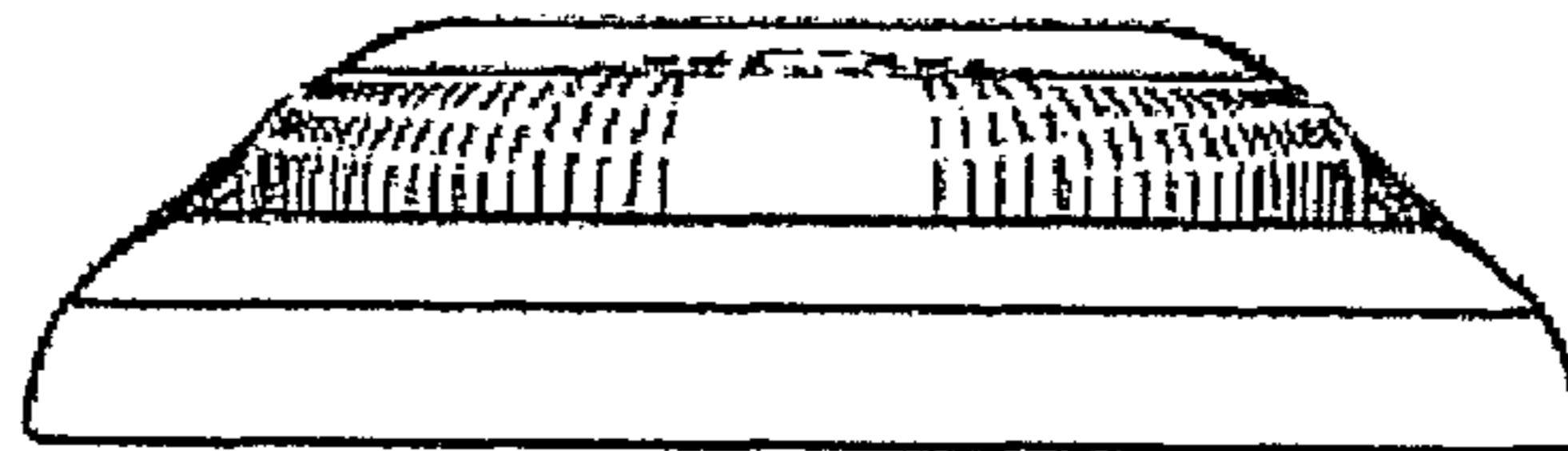


Figure 3

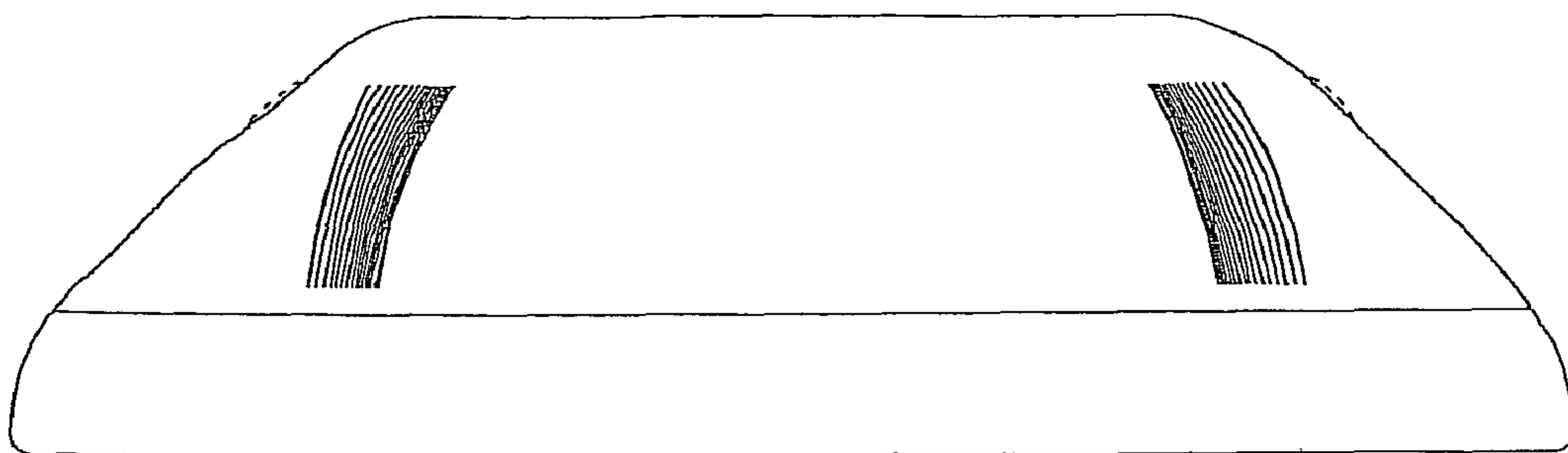


Figure 4

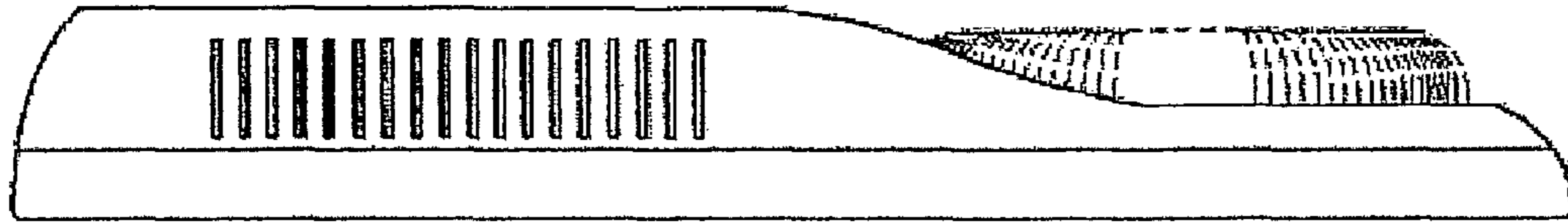


Figure 5

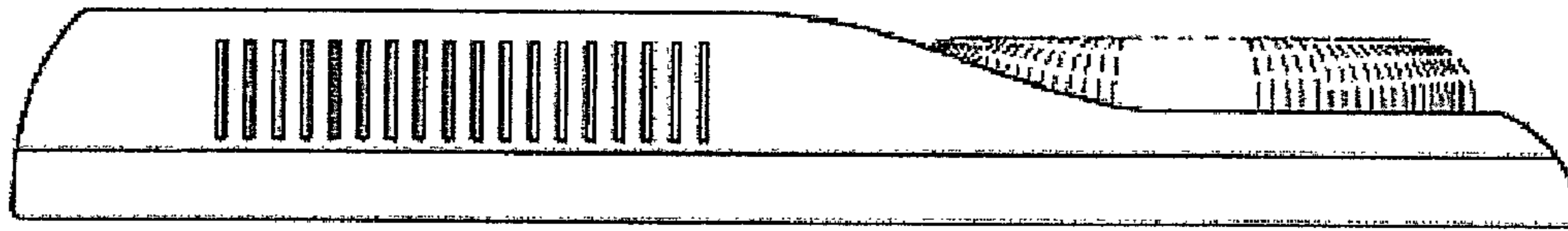


Figure 6

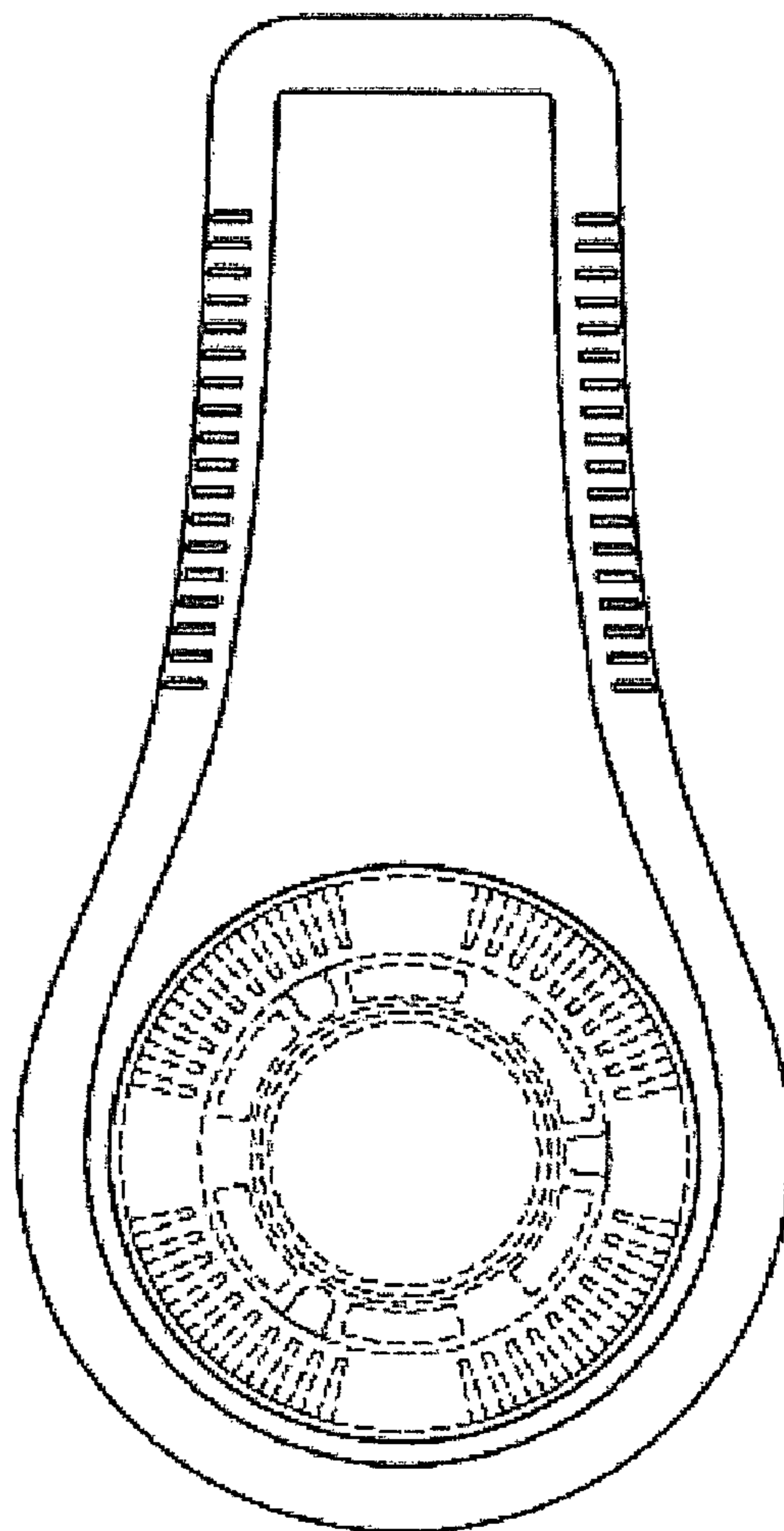


Figure 7

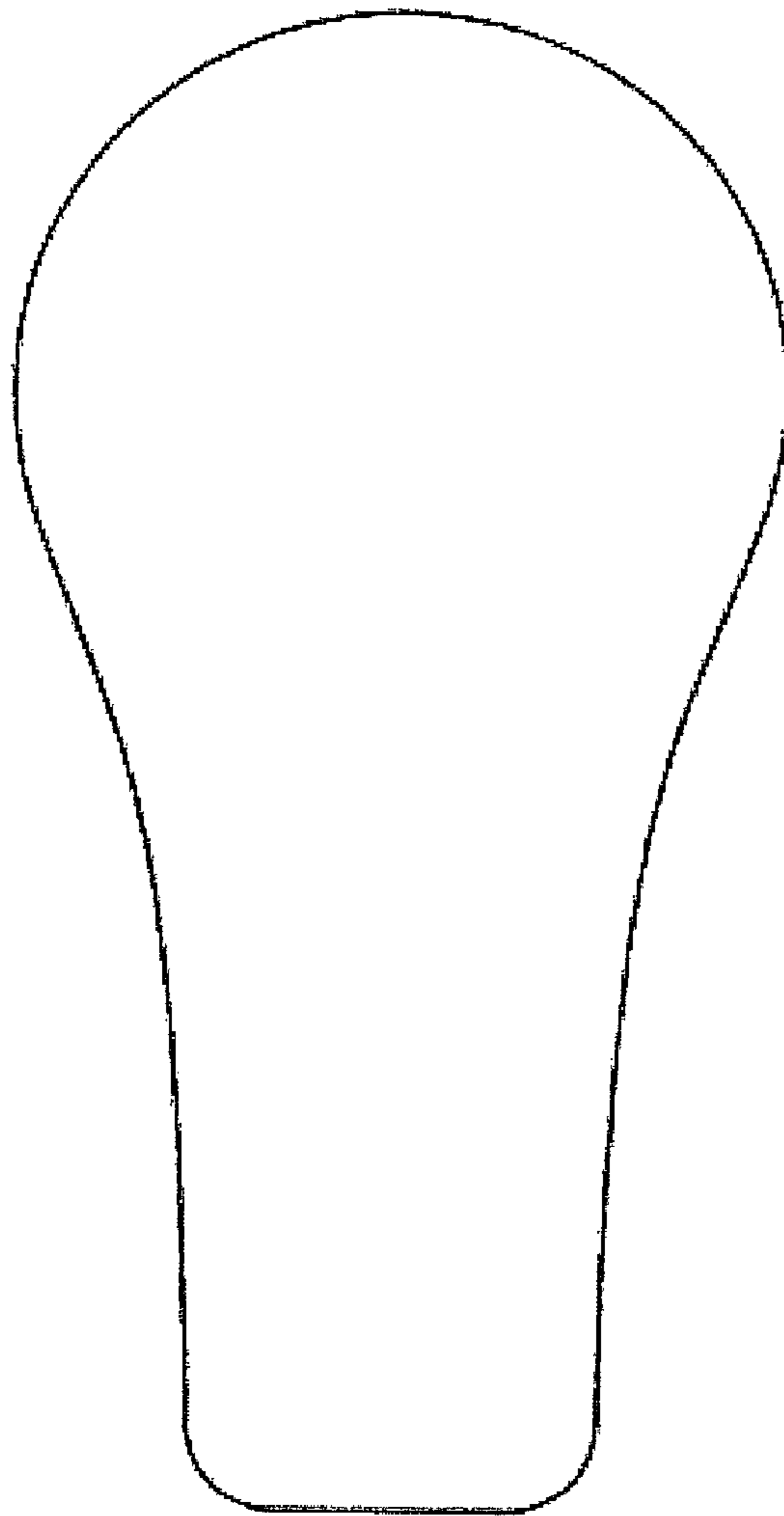


Figure 8

