



US00D649691S

(12) **United States Design Patent**  
**Trzesniowski**

(10) **Patent No.:** **US D649,691 S**

(45) **Date of Patent:** **\*\* Nov. 29, 2011**

(54) **EXTRUSION FOR LED-BASED LIGHTING APPARATUS**

(75) Inventor: **Slawomir Trzesniowski**, Cremorne (PL)

(73) Assignee: **LEDs ON**, Warsaw (PL)

(\*\*) Term: **14 Years**

(21) Appl. No.: **29/394,623**

(22) Filed: **Jun. 20, 2011**

(30) **Foreign Application Priority Data**

Jan. 4, 2011 (EM) ..... 001800889-0013

(51) **LOC (9) Cl.** ..... **26-99**

(52) **U.S. Cl.** ..... **D26/138**

(58) **Field of Classification Search** ..... D26/46,  
D26/72, 76, 79, 113, 118, 119, 120, 121,  
D26/125, 128, 138, 140, 141, 142, 144, 145,  
D26/152, 155; 362/218, 373, 225, 240, 241,  
362/230, 146, 600, 606, 632, 151, 217, 219,  
362/659, 258, 270, 279, 280, 292; D8/300,  
D8/314, 323, 369, 376, 377, 394; D15/135,  
D15/136, 144; D6/300, 491, 495, 500, 511,  
D6/580; D13/110, 155, 179, 180; D34/29,  
D34/35, 38; D25/38, 47, 60, 69, 113, 119,  
D25/120, 121, 122, 123, 124, 125, 136, 138,  
D25/164; 52/177, 235; 174/37, 95, 101

See application file for complete search history.

(56) **References Cited**

**U.S. PATENT DOCUMENTS**

D47,729 S \* 8/1915 Heulings, Jr. .... D25/119  
D110,622 S \* 7/1938 Lowry ..... D25/119  
D141,049 S \* 5/1945 Ketchum, Jr. .... D25/119  
D185,549 S \* 6/1959 Hallock ..... D25/119  
D191,162 S \* 8/1961 Miller ..... D25/119  
D191,906 S \* 12/1961 Jaffa ..... D25/125

D199,024 S \* 9/1964 Huret ..... D25/123  
D201,986 S \* 8/1965 Wince ..... D26/122  
3,605,137 A \* 9/1971 Stollenwerk ..... 5/625  
D228,453 S \* 9/1973 Greer ..... D25/119  
D231,326 S \* 4/1974 Miki ..... D8/377  
D232,910 S \* 9/1974 Duperrex ..... D8/377  
D238,510 S \* 1/1976 Tabler ..... D34/29  
D243,675 S \* 3/1977 Dallaire ..... D25/124  
D243,685 S \* 3/1977 Dallaire ..... D25/124  
D245,756 S \* 9/1977 McKee ..... D8/376  
D249,366 S \* 9/1978 Jury ..... D25/124  
D251,444 S \* 3/1979 Bancroft et al. .... D25/125  
D251,445 S \* 3/1979 Bancroft et al. .... D25/119  
D251,446 S \* 3/1979 Bancroft et al. .... D25/125  
D251,451 S \* 3/1979 Toder ..... D25/121  
D252,471 S \* 7/1979 Broadbent ..... D25/119  
4,166,195 A \* 8/1979 Schwab ..... 174/95  
D258,538 S \* 3/1981 Cribben et al. .... D25/125  
D258,619 S \* 3/1981 Dallaire ..... D25/119  
D265,035 S \* 6/1982 Fether et al. .... D8/403  
D269,910 S \* 7/1983 Johansson ..... D25/124  
D283,446 S \* 4/1986 Burkinshaw ..... D25/125

(Continued)

*Primary Examiner* — Kevin Rudzinski

(74) *Attorney, Agent, or Firm* — Zane Coleman

(57) **CLAIM**

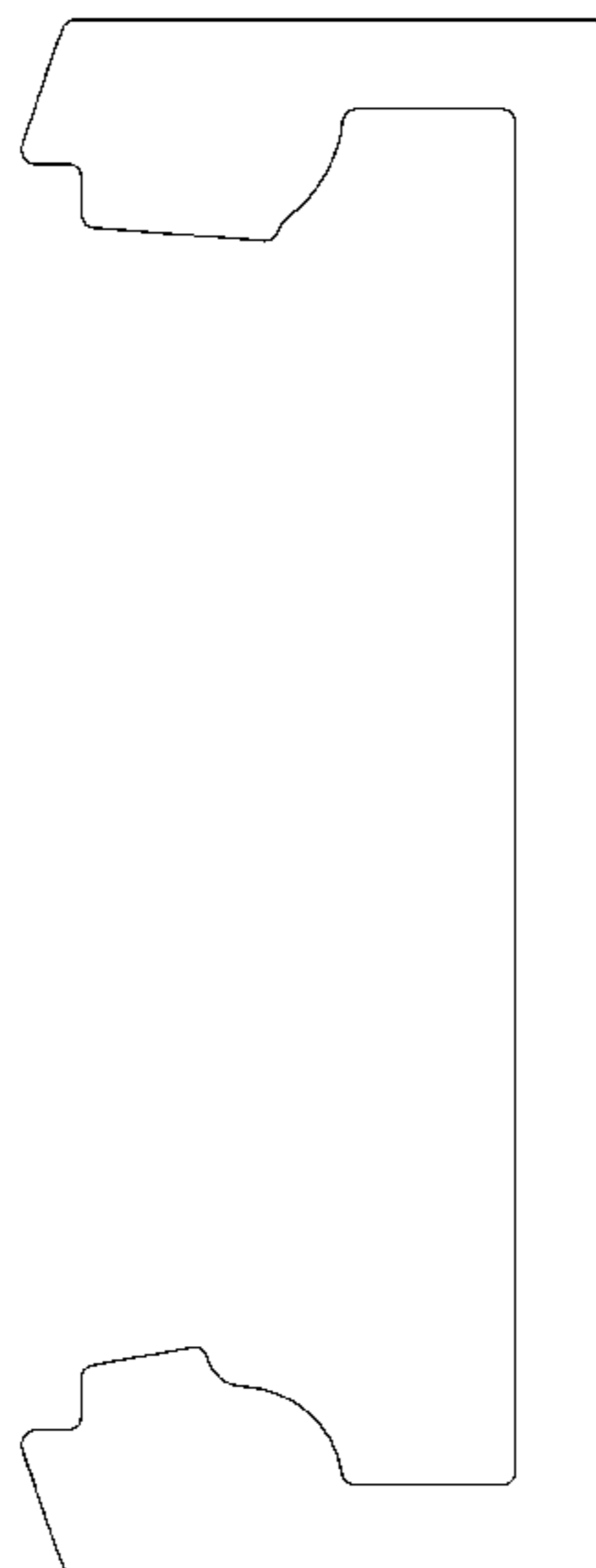
The ornamental design for an extrusion for LED-based lighting apparatus, as shown and described.

**DESCRIPTION**

FIG. 1 is a right side elevation view of an extrusion for LED-based lighting apparatus showing my new and original design; the left side elevation view being a mirror image thereof; and,

FIG. 2 is front right side perspective view of the extrusion of FIG. 1 shown broken away to indicate non-specified length. The broken lines and bracket shown in FIG. 2, used to indicate that the extrusion has a non-specified length, form no part of the claimed design.

**1 Claim, 2 Drawing Sheets**

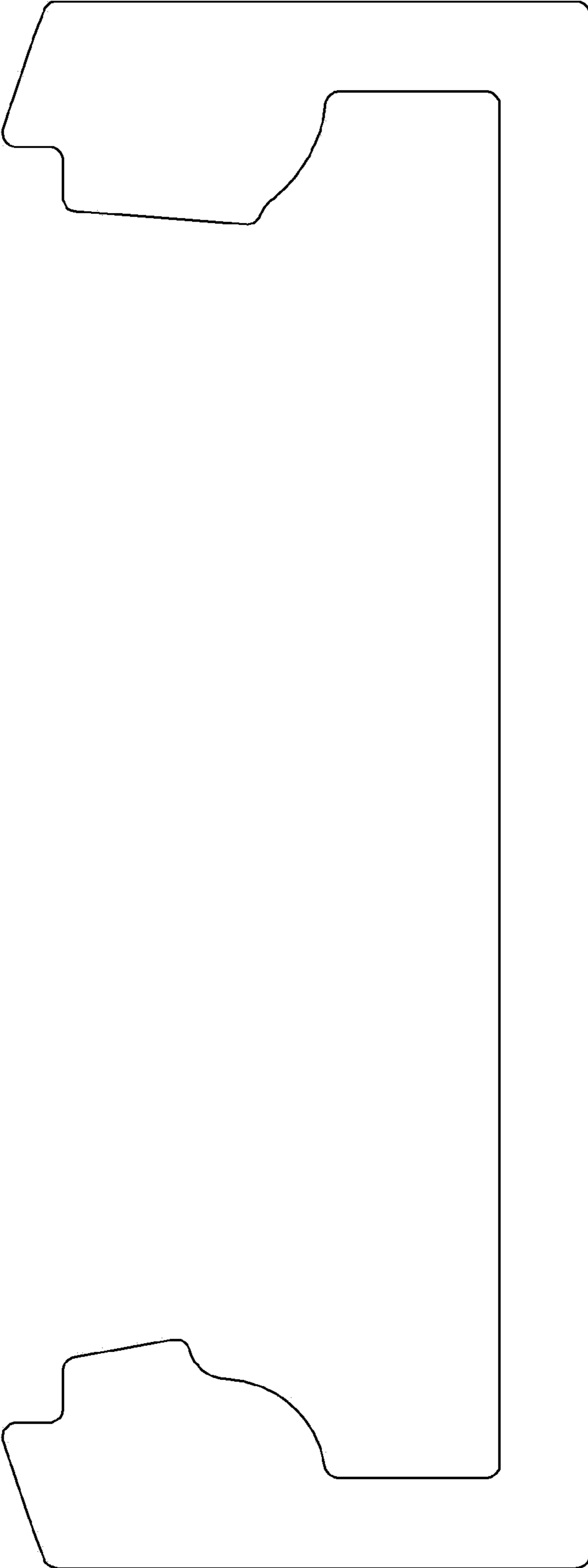


# US D649,691 S

## U.S. PATENT DOCUMENTS

D286,194	S *	10/1986	Bancroft	.....	D25/125
D290,404	S *	6/1987	Stoler	.....	D25/119
D291,009	S *	7/1987	Weilow	.....	D25/120
D294,867	S *	3/1988	Meshulam	.....	D25/119
D299,273	S *	1/1989	Pittman, Jr.	.....	D25/119
D301,304	S *	5/1989	Will	.....	D8/373
D310,775	S *	9/1990	Ruonala	.....	D8/377
D317,513	S *	6/1991	Miller et al.	.....	D26/140
5,040,347	A *	8/1991	Valvis	.....	52/204.591
D320,902	S *	10/1991	Leist	.....	D6/491
D325,095	S *	3/1992	Dallaire et al.	.....	D25/124
D326,140	S *	5/1992	Dekel	.....	D23/267
D326,724	S *	6/1992	Boer	.....	D25/119
D328,139	S *	7/1992	Boer	.....	D25/119
D329,707	S *	9/1992	Embree et al.	.....	D25/119
D335,353	S *	5/1993	Baker	.....	D25/38
D337,257	S *	7/1993	Danieli	.....	D8/376
D342,579	S *	12/1993	Mason	.....	D25/119
D344,595	S *	2/1994	Ehmke et al.	.....	D25/119
D345,268	S *	3/1994	Pate	.....	D6/511
D348,940	S *	7/1994	Clark et al.	.....	D25/124
D353,467	S *	12/1994	Raynes	.....	D25/38
D356,645	S *	3/1995	Boer	.....	D25/119
5,430,627	A *	7/1995	Nagano	.....	362/146
5,499,170	A *	3/1996	Gagne	.....	362/84
D373,963	S *	9/1996	Nagai et al.	.....	D10/94
D375,324	S *	11/1996	Grass	.....	D20/11
D378,432	S *	3/1997	Raynes	.....	D25/164
D379,237	S *	5/1997	Leonelli	.....	D25/119
D379,524	S *	5/1997	Leonelli	.....	D25/119
D379,535	S *	5/1997	Dallaire et al.	.....	D25/125
D381,088	S *	7/1997	DiGiorgio	.....	D25/124
D384,471	S *	9/1997	Kubsik et al.	.....	D34/29
D389,460	S *	1/1998	Wei-Hong	.....	D13/155
D393,083	S *	3/1998	Caltrider	.....	D25/199
5,724,909	A *	3/1998	Pitman et al.	.....	116/202
D397,231	S *	8/1998	Saxer	.....	D25/119
D417,607	S *	12/1999	Vining	.....	D8/373
6,074,074	A *	6/2000	Marcus	.....	362/240
6,107,576	A *	8/2000	Morton et al.	.....	174/101
D432,672	S *	10/2000	Grosfillex	.....	D25/124
D437,944	S *	2/2001	Neuhofer, Jr.	.....	D25/199
D441,879	S *	5/2001	Habeck et al.	.....	D25/124
D443,198	S *	6/2001	Snyder	.....	D8/354
D445,211	S *	7/2001	Baker	.....	D26/76
6,276,634	B1 *	8/2001	Bodle	.....	244/118.5
6,302,560	B1 *	10/2001	Lai	.....	362/235
D450,234	S *	11/2001	Bosgoed	.....	D8/377
D453,971	S *	2/2002	Baker	.....	D25/124
6,361,186	B1 *	3/2002	Slayden	.....	362/241
D455,634	S *	4/2002	Hummel et al.	.....	D8/314
6,385,047	B1 *	5/2002	McCullough et al.	.....	361/704
D471,994	S *	3/2003	Chaney et al.	.....	D25/124
6,554,446	B1 *	4/2003	Walsh et al.	.....	362/146
D482,405	S *	11/2003	McIlvaine	.....	D20/43
D483,443	S *	12/2003	Forsberg	.....	D23/267
6,659,623	B2 *	12/2003	Friend	.....	362/249.06
D486,340	S *	2/2004	Sudano	.....	D6/577
D489,463	S *	5/2004	Barnett	.....	D25/119
D489,830	S *	5/2004	Barnett	.....	D25/119
D497,758	S *	11/2004	Goldberg	.....	D6/580
D503,485	S *	3/2005	Willman et al.	.....	D25/124
D509,594	S *	9/2005	Curtas et al.	.....	D25/38
7,034,227	B2 *	4/2006	Fox	.....	174/95
D522,297	S *	6/2006	Miller et al.	.....	D6/580
D534,790	S *	1/2007	Garda	.....	D8/377
D546,104	S *	7/2007	Miller et al.	.....	D6/580
D551,774	S *	9/2007	McGinness	.....	D25/38
D552,259	S *	10/2007	Allsopp	.....	D25/119
D554,422	S *	11/2007	Lin	.....	D6/580
D557,429	S *	12/2007	Bullock, Jr.	.....	D25/119
D557,825	S *	12/2007	Willman	.....	D25/124
7,303,310	B2 *	12/2007	You et al.	.....	362/240
D560,822	S *	1/2008	Flehsig	.....	D25/121
7,331,689	B2 *	2/2008	Chen	.....	362/240
7,347,606	B1 *	3/2008	Patten	.....	362/565
D574,509	S *	8/2008	Koch	.....	D25/38
D577,857	S *	9/2008	Tress et al.	.....	D26/141
D578,248	S *	10/2008	Lee et al.	.....	D26/138
D578,705	S *	10/2008	Aberg et al.	.....	D26/138
D582,602	S *	12/2008	Maxik et al.	.....	D26/118
D587,731	S *	3/2009	Niedermeyer	.....	D15/136
D595,078	S *	6/2009	Kollman et al.	.....	D6/580
D595,984	S *	7/2009	Kollman et al.	.....	D6/580
D598,574	S *	8/2009	Bergmann	.....	D25/122
D599,387	S *	9/2009	Chuo et al.	.....	D15/143
D600,401	S *	9/2009	Varrin	.....	D26/138
D600,484	S *	9/2009	Anderson et al.	.....	D6/580
D602,346	S *	10/2009	Allsopp	.....	D8/369
D606,793	S *	12/2009	Allsopp	.....	D6/580
7,654,703	B2 *	2/2010	Kan et al.	.....	362/362
D611,169	S *	3/2010	Harder	.....	D25/122
D616,035	S *	5/2010	Kosir et al.	.....	D20/44
D616,946	S *	6/2010	Garfinkle et al.	.....	D20/43
D621,090	S *	8/2010	Klu	.....	D26/138
D621,961	S *	8/2010	Gardner	.....	D25/119
7,766,505	B2 *	8/2010	Tseng et al.	.....	362/217.17
D623,342	S *	9/2010	Klu	.....	D26/138
D623,343	S *	9/2010	Klu	.....	D26/138
D625,463	S *	10/2010	Klu	.....	D26/138
D625,588	S *	10/2010	Norris et al.	.....	D8/382
D626,839	S *	11/2010	Gross et al.	.....	D9/456
7,857,482	B2 *	12/2010	Reo et al.	.....	362/225
D631,171	S *	1/2011	Konrad	.....	D25/49
D634,063	S *	3/2011	Peifer	.....	D26/138
D634,876	S *	3/2011	McGrath et al.	.....	D26/79
D639,098	S *	6/2011	Bosgoed	.....	D6/580
D639,144	S *	6/2011	Schaefer et al.	.....	D8/354
D641,101	S *	7/2011	Radchenko et al.	.....	D26/138
D641,923	S *	7/2011	Radchenko et al.	.....	D26/138
2003/0163967	A1 *	9/2003	Sims	.....	52/586.2
2004/0076004	A1 *	4/2004	Smith	.....	362/237
2006/0191101	A1 *	8/2006	Elmer	.....	16/91
2008/0030981	A1 *	2/2008	Mrakovich et al.	.....	362/219
2009/0207602	A1 *	8/2009	Reed et al.	.....	362/225
2009/0219713	A1 *	9/2009	Siemiet et al.	.....	362/218

\* cited by examiner



**FIG. 1**



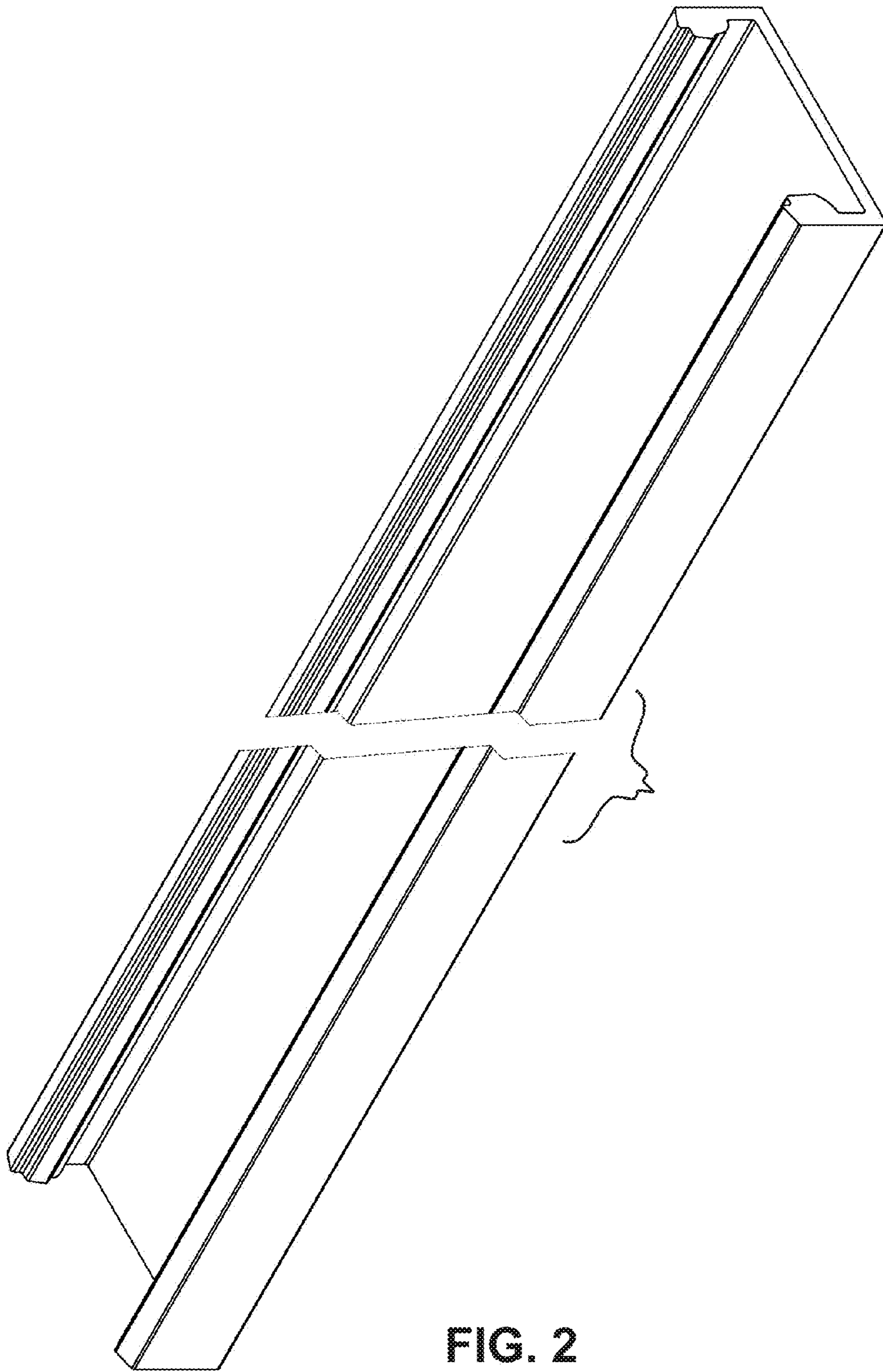


FIG. 2