



US00D649690S

(12) **United States Design Patent**
Trzesniowski

(10) **Patent No.:** **US D649,690 S**

(45) **Date of Patent:** **** Nov. 29, 2011**

(54) **EXTRUSION FOR LED-BASED LIGHTING APPARATUS**

(75) Inventor: **Slawomir Trzesniowski**, Cremorne (PL)

(73) Assignee: **LEDs ON**, Warsaw (PL)

(**) Term: **14 Years**

(21) Appl. No.: **29/394,622**

(22) Filed: **Jun. 20, 2011**

(30) **Foreign Application Priority Data**

Jan. 4, 2011 (EP) 001800889-0012

(51) **LOC (9) Cl.** **26-99**

(52) **U.S. Cl.** **D26/138**

(58) **Field of Classification Search** D26/46,
D26/72, 76, 79, 113, 118, 119, 120, 121,
D26/125, 128, 138, 140, 141, 142, 144, 145,
D26/152, 155; 362/218, 373, 225, 240, 241,
362/230, 146, 600, 606, 632, 151, 217, 219,
362/659, 258, 270, 279, 280, 292; D8/300,
D8/314, 323, 369, 376, 377, 394; D15/135,
D15/136, 144; D6/300, 491, 495, 500, 511,
D6/580; D13/110, 155, 179, 180; D34/29,
D34/35, 38; D25/38, 47, 60, 69, 113, 119,
D25/120, 121, 122, 123, 124, 125, 136, 138,
D25/164; 52/177, 235; 174/37, 95, 101

See application file for complete search history.

(56) **References Cited**

U.S. PATENT DOCUMENTS

D47,729 S * 8/1915 Heulings, Jr. D25/119
D110,622 S * 7/1938 Lowry D25/119
D141,049 S * 5/1945 Ketchum, Jr. D25/119
D185,549 S * 6/1959 Hallock D25/119
D191,162 S * 8/1961 Miller D25/119
D191,906 S * 12/1961 Jaffa D25/125

D199,024 S * 9/1964 Huret D25/123
D201,986 S * 8/1965 Wince D26/122
3,605,137 A * 9/1971 Stollenwerk 5/625
D228,453 S * 9/1973 Greer D25/119
D231,326 S * 4/1974 Miki D8/377
D232,910 S * 9/1974 Duperrex D8/377
D238,510 S * 1/1976 Tabler D34/29
D243,675 S * 3/1977 Dallaire D25/124
D243,685 S * 3/1977 Dallaire D25/124
D245,756 S * 9/1977 McKee D8/376
D249,366 S * 9/1978 Jury D25/124
D251,444 S * 3/1979 Bancroft et al. D25/125
D251,445 S * 3/1979 Bancroft et al. D25/119
D251,446 S * 3/1979 Bancroft et al. D25/125
D251,451 S * 3/1979 Toder D25/121
D252,471 S * 7/1979 Broadbent D25/119
4,166,195 A * 8/1979 Schwab 174/95
D258,538 S * 3/1981 Cribben et al. D25/125
D258,619 S * 3/1981 Dallaire D25/119
D265,035 S * 6/1982 Fether et al. D8/403
D269,910 S * 7/1983 Johansson D25/124
D283,446 S * 4/1986 Burkinshaw D25/125

(Continued)

Primary Examiner — Kevin Rudzinski

(74) *Attorney, Agent, or Firm* — Zane Coleman

(57) **CLAIM**

The ornamental design for an extrusion for led-based lighting apparatus, as shown and described.

DESCRIPTION

FIG. 1 is a right side elevation view of an extrusion for led-based lighting apparatus showing my new and original design; the left side elevation view being a mirror image thereof; and,

FIG. 2 is front right side perspective view of the extrusion of FIG. 1 shown broken away to indicate non-specified length. The broken lines and bracket shown in FIG. 2, used to indicate that the extrusion has a non-specified length, form no part of the claimed design.

1 Claim, 2 Drawing Sheets



U.S. PATENT DOCUMENTS

D286,194 S * 10/1986 Bancroft D25/125
D290,404 S * 6/1987 Stoler D25/119
D291,009 S * 7/1987 Weilow D25/120
D294,867 S * 3/1988 Meshulam D25/119
D299,273 S * 1/1989 Pittman, Jr. D25/119
D301,304 S * 5/1989 Will D8/373
D310,775 S * 9/1990 Ruonala D8/377
D317,513 S * 6/1991 Miller et al. D26/140
5,040,347 A * 8/1991 Valvis 52/204.591
D320,902 S * 10/1991 Leist D6/491
D325,095 S * 3/1992 Dallaire et al. D25/124
D326,140 S * 5/1992 Dekel D23/267
D326,724 S * 6/1992 Boer D25/119
D328,139 S * 7/1992 Boer D25/119
D329,707 S * 9/1992 Embree et al. D25/119
D335,353 S * 5/1993 Baker D25/38
D337,257 S * 7/1993 Danieli D8/376
D342,579 S * 12/1993 Mason D25/119
D344,595 S * 2/1994 Ehmke et al. D25/119
D345,268 S * 3/1994 Pate D6/511
D348,940 S * 7/1994 Clark et al. D25/124
D353,467 S * 12/1994 Raynes D25/38
D356,645 S * 3/1995 Boer D25/119
5,430,627 A * 7/1995 Nagano 362/146
5,499,170 A * 3/1996 Gagne 362/84
D373,963 S * 9/1996 Nagai et al. D10/94
D375,324 S * 11/1996 Grass D20/11
D378,432 S * 3/1997 Raynes D25/164
D379,237 S * 5/1997 Leonelli D25/119
D379,524 S * 5/1997 Leonelli D25/119
D379,535 S * 5/1997 Dallaire et al. D25/125
D381,088 S * 7/1997 DiGiorgio D25/124
D384,471 S * 9/1997 Kubsik et al. D34/29
D389,460 S * 1/1998 Wei-Hong D13/155
D393,083 S * 3/1998 Caltrider D25/199
5,724,909 A * 3/1998 Pitman et al. 116/202
D397,231 S * 8/1998 Saxer D25/119
D417,607 S * 12/1999 Vining D8/373
6,074,074 A * 6/2000 Marcus 362/240
6,107,576 A * 8/2000 Morton et al. 174/101
D432,672 S * 10/2000 Grosfillex D25/124
D437,944 S * 2/2001 Neuhofer, Jr. D25/199
D441,879 S * 5/2001 Habeck et al. D25/124
D443,198 S * 6/2001 Snyder D8/354
D445,211 S * 7/2001 Baker D26/76
6,276,634 B1 * 8/2001 Bodle 244/118.5
6,302,560 B1 * 10/2001 Lai 362/235
D450,234 S * 11/2001 Bosgoed D8/377
D453,971 S * 2/2002 Baker D25/124
6,361,186 B1 * 3/2002 Slayden 362/241
D455,634 S * 4/2002 Hummel et al. D8/314
6,385,047 B1 * 5/2002 McCullough et al. 361/704
D471,994 S * 3/2003 Chaney et al. D25/124
6,554,446 B1 * 4/2003 Walsh et al. 362/146
D482,405 S * 11/2003 McIlvaine D20/43
D483,443 S * 12/2003 Forsberg D23/267
6,659,623 B2 * 12/2003 Friend 362/249.06
D486,340 S * 2/2004 Sudano D6/577

D489,463 S * 5/2004 Barnett D25/119
D489,830 S * 5/2004 Barnett D25/119
D497,758 S * 11/2004 Goldberg D6/580
D503,485 S * 3/2005 Willman et al. D25/124
D509,594 S * 9/2005 Curtas et al. D25/38
7,034,227 B2 * 4/2006 Fox 174/95
D522,297 S * 6/2006 Miller et al. D6/580
D534,790 S * 1/2007 Garda D8/377
D546,104 S * 7/2007 Miller et al. D6/580
D551,774 S * 9/2007 McGinness D25/38
D552,259 S * 10/2007 Allsopp D25/119
D554,422 S * 11/2007 Lin D6/580
D557,429 S * 12/2007 Bullock, Jr. D25/119
D557,825 S * 12/2007 Willman D25/124
7,303,310 B2 * 12/2007 You et al. 362/240
D560,822 S * 1/2008 Flechsig D25/121
7,331,689 B2 * 2/2008 Chen 362/240
7,347,606 B1 * 3/2008 Patten 362/565
D574,509 S * 8/2008 Koch D25/38
D577,857 S * 9/2008 Tress et al. D26/141
D578,248 S * 10/2008 Lee et al. D26/138
D578,705 S * 10/2008 Aberg et al. D26/138
D582,602 S * 12/2008 Maxik et al. D26/118
D587,731 S * 3/2009 Niedermeyer D15/136
D595,078 S * 6/2009 Kollman et al. D6/580
D595,984 S * 7/2009 Kollman et al. D6/580
D598,574 S * 8/2009 Bergmann D25/122
D599,387 S * 9/2009 Chuo et al. D15/143
D600,401 S * 9/2009 Varrin D26/138
D600,484 S * 9/2009 Anderson et al. D6/580
D602,346 S * 10/2009 Allsopp D8/369
D606,793 S * 12/2009 Allsopp D6/580
7,654,703 B2 * 2/2010 Kan et al. 362/362
D611,169 S * 3/2010 Harder D25/122
D616,035 S * 5/2010 Kosir et al. D20/44
D616,946 S * 6/2010 Garfinkle et al. D20/43
D621,090 S * 8/2010 Klu D26/138
D621,961 S * 8/2010 Gardner D25/119
7,766,505 B2 * 8/2010 Tseng et al. 362/217.17
D623,342 S * 9/2010 Klu D26/138
D623,343 S * 9/2010 Klus D26/138
D625,463 S * 10/2010 Klus D26/138
D625,588 S * 10/2010 Norris et al. D8/382
D626,839 S * 11/2010 Gross et al. D9/456
7,857,482 B2 * 12/2010 Reo et al. 362/225
D631,171 S * 1/2011 Konrad D25/49
D634,063 S * 3/2011 Peifer D26/138
D634,876 S * 3/2011 McGrath et al. D26/79
D639,098 S * 6/2011 Bosgoed D6/580
D639,144 S * 6/2011 Schaefer et al. D8/354
D641,101 S * 7/2011 Radchenko et al. D26/138
D641,923 S * 7/2011 Radchenko et al. D26/138
2003/0163967 A1 * 9/2003 Sims 52/586.2
2004/0076004 A1 * 4/2004 Smith, Jr. 362/237
2006/0191101 A1 * 8/2006 Elmer 16/91
2008/0030981 A1 * 2/2008 Mrakovich et al. 362/219
2009/0207602 A1 * 8/2009 Reed et al. 362/225
2009/0219713 A1 * 9/2009 Siemiet et al. 362/218

* cited by examiner

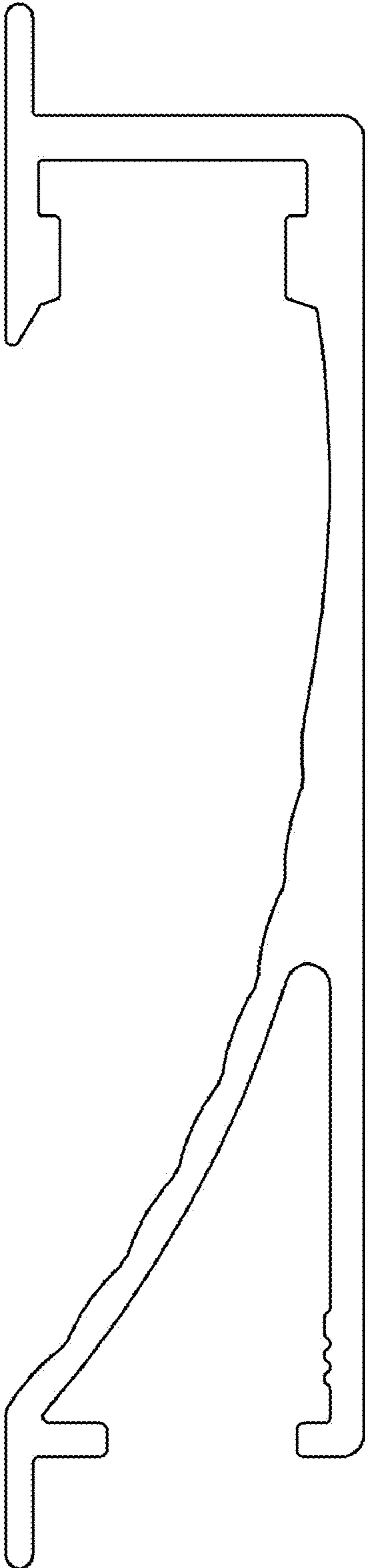


FIG. 1

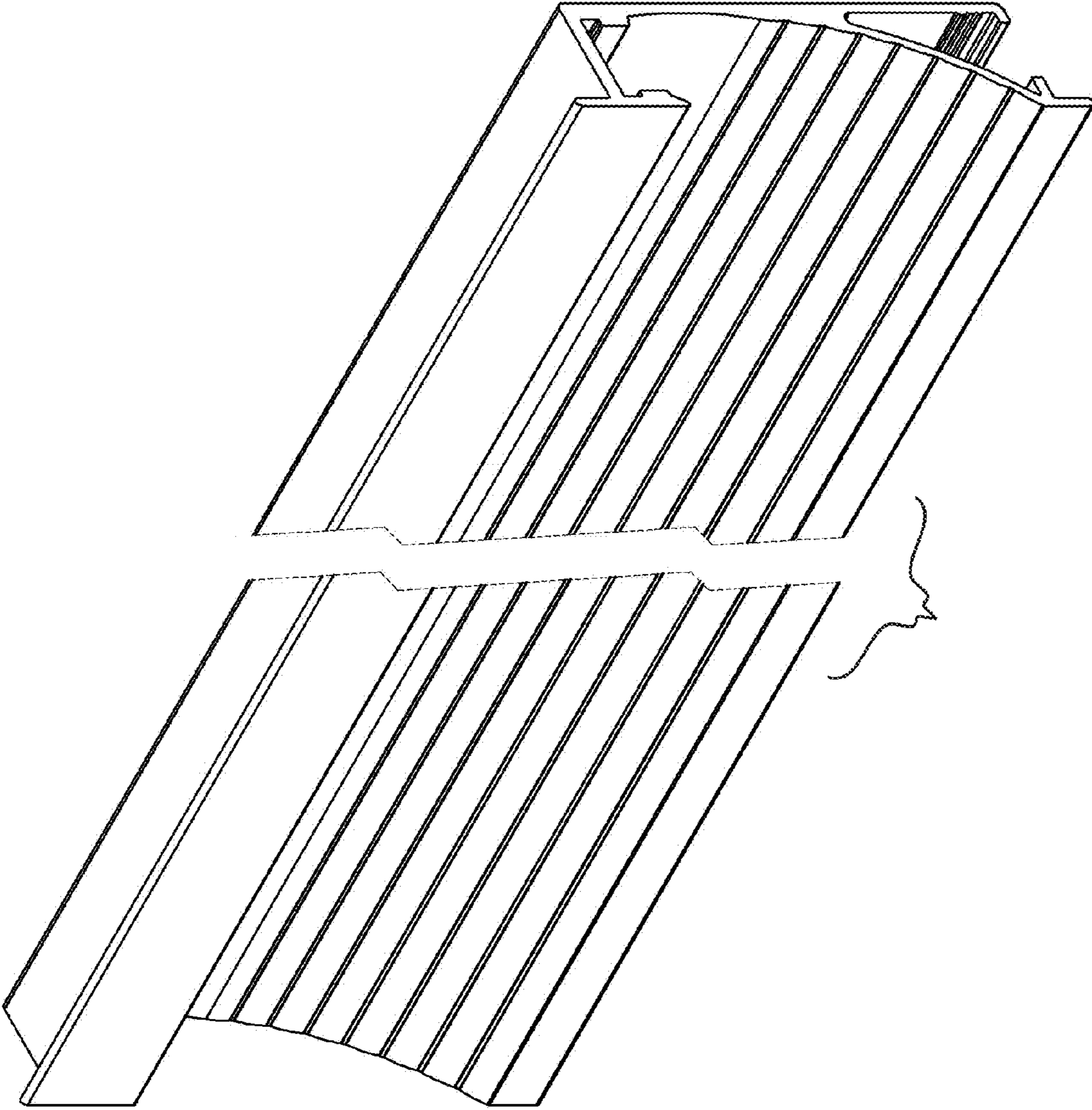


FIG. 2