



US00D649687S

(12) **United States Design Patent**
Trzesniowski

(10) **Patent No.:** **US D649,687 S**

(45) **Date of Patent:** **** Nov. 29, 2011**

(54) **EXTRUSION FOR LED-BASED LIGHTING APPARATUS**

(75) Inventor: **Slawomir Trzesniowski**, Cremorne (PL)

(73) Assignee: **LEDs ON**, Warsaw (PL)

(**) Term: **14 Years**

(21) Appl. No.: **29/394,619**

(22) Filed: **Jun. 19, 2011**

(30) **Foreign Application Priority Data**

Jan. 4, 2011 (EM) 001800889-0009

(51) **LOC (9) Cl.** **26-99**

(52) **U.S. Cl.** **D26/138**

(58) **Field of Classification Search** D26/46,
D26/72, 76, 79, 113, 118, 119, 120, 121,
D26/125, 128, 138, 140, 141, 142, 144, 145,
D26/152, 155; 362/218, 373, 225, 240, 241,
362/230, 146, 600, 606, 632, 151, 217, 219,
362/659, 258, 270, 279, 280, 292; D8/300,
D8/314, 323, 369, 376, 377, 394; D15/135,
D15/136, 144; D6/300, 491, 495, 500, 511,
D6/580; D13/110, 155, 179, 180; D34/29,
D34/35, 38; D25/38, 47, 60, 69, 113, 119,
D25/120, 121, 122, 123, 124, 125, 136, 138,
D25/164; 52/177, 235; 174/37, 95, 101

See application file for complete search history.

(56) **References Cited**

U.S. PATENT DOCUMENTS

D47,729 S *	8/1915	Heulings, Jr.	D25/119
D110,622 S *	7/1938	Lowry	D25/119
D141,049 S *	5/1945	Ketchum, Jr.	D25/119
D185,549 S *	6/1959	Hallock	D25/119
D191,162 S *	8/1961	Miller	D25/119
D191,906 S *	12/1961	Jaffa	D25/125

D199,024 S *	9/1964	Huret	D25/123
D201,986 S *	8/1965	Wince	D26/122
3,605,137 A *	9/1971	Stollenwerk	5/625
D228,453 S *	9/1973	Greer	D25/119
D231,326 S *	4/1974	Miki	D8/377
D232,910 S *	9/1974	Duperrex	D8/377
D238,510 S *	1/1976	Tabler	D34/29
D243,675 S *	3/1977	Dallaire	D25/124
D243,685 S *	3/1977	Dallaire	D25/124
D245,756 S *	9/1977	McKee	D8/376
D249,366 S *	9/1978	Jury	D25/124
D251,444 S *	3/1979	Bancroft et al.	D25/125
D251,445 S *	3/1979	Bancroft et al.	D25/119
D251,446 S *	3/1979	Bancroft et al.	D25/125
D251,451 S *	3/1979	Toder	D25/121
D252,471 S *	7/1979	Broadbent	D25/119
4,166,195 A *	8/1979	Schwab	174/95
D258,538 S *	3/1981	Cribben et al.	D25/125
D258,619 S *	3/1981	Dallaire	D25/119
D265,035 S *	6/1982	Fether et al.	D8/403
D269,910 S *	7/1983	Johansson	D25/124
D283,446 S *	4/1986	Burkinshaw	D25/125

(Continued)

Primary Examiner — Kevin Rudzinski

(74) *Attorney, Agent, or Firm* — Zane Coleman

(57)

CLAIM

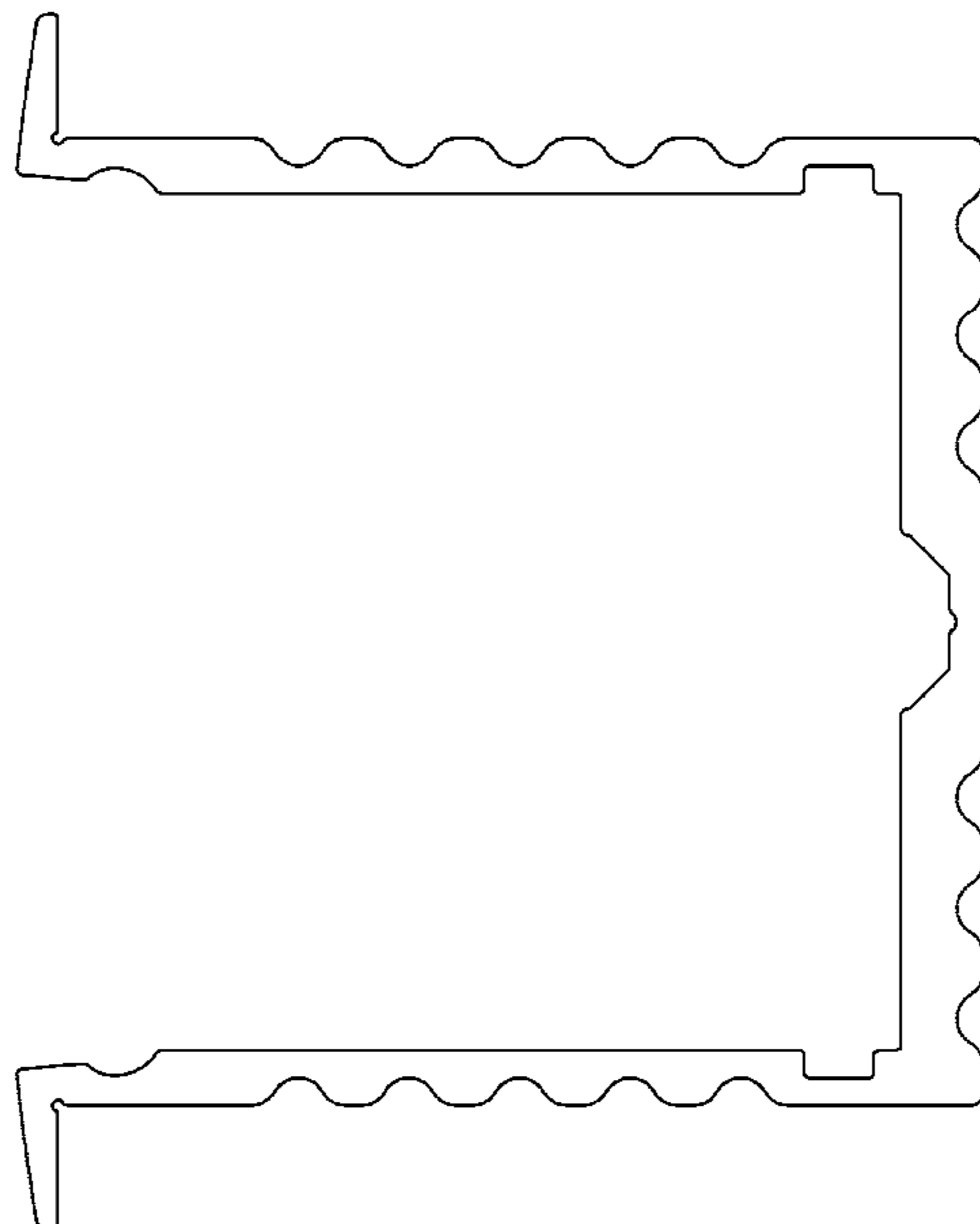
The ornamental design for an extrusion for LED-based lighting apparatus, as shown and described.

DESCRIPTION

FIG. 1 is a right side elevation view of an extrusion for LED-based lighting apparatus showing my new and original design; the left side elevation view being a mirror image thereof; and,

FIG. 2 is front right side perspective view of the extrusion of FIG. 1 shown broken away to indicate non-specified length. The broken lines and bracket shown in FIG. 2, used to indicate that the extrusion has a non-specified length, form no part of the claimed design.

1 Claim, 2 Drawing Sheets



US D649,687 S

Page 2

U.S. PATENT DOCUMENTS

D286,194 S *	10/1986	Bancroft	D25/125	D489,463 S *	5/2004	Barnett	D25/119
D290,404 S *	6/1987	Stoler	D25/119	D489,830 S *	5/2004	Barnett	D25/119
D291,009 S *	7/1987	Weilow	D25/120	D497,758 S *	11/2004	Goldberg	D6/580
D294,867 S *	3/1988	Meshulam	D25/119	D503,485 S *	3/2005	Willman et al.	D25/124
D299,273 S *	1/1989	Pittman, Jr.	D25/119	D509,594 S *	9/2005	Curtas et al.	D25/38
D301,304 S *	5/1989	Will	D8/373	7,034,227 B2 *	4/2006	Fox	174/95
D310,775 S *	9/1990	Ruonala	D8/377	D522,297 S *	6/2006	Miller et al.	D6/580
D317,513 S *	6/1991	Miller et al.	D26/140	D534,790 S *	1/2007	Garda	D8/377
5,040,347 A *	8/1991	Valvis	52/204.591	D546,104 S *	7/2007	Miller et al.	D6/580
D320,902 S *	10/1991	Leist	D6/491	D551,774 S *	9/2007	McGinness	D25/38
D325,095 S *	3/1992	Dallaire et al.	D25/124	D552,259 S *	10/2007	Allsopp	D25/119
D326,140 S *	5/1992	Dekel	D23/267	D554,422 S *	11/2007	Lin	D6/580
D326,724 S *	6/1992	Boer	D25/119	D557,429 S *	12/2007	Bullock, Jr.	D25/119
D328,139 S *	7/1992	Boer	D25/119	D557,825 S *	12/2007	Willman	D25/124
D329,707 S *	9/1992	Embree et al.	D25/119	7,303,310 B2 *	12/2007	You et al.	362/240
D335,353 S *	5/1993	Baker	D25/38	D560,822 S *	1/2008	Flehsig	D25/121
D337,257 S *	7/1993	Danieli	D8/376	7,331,689 B2 *	2/2008	Chen	362/240
D342,579 S *	12/1993	Mason	D25/119	7,347,606 B1 *	3/2008	Patten	362/565
D344,595 S *	2/1994	Ehmke et al.	D25/119	D574,509 S *	8/2008	Koch	D25/38
D345,268 S *	3/1994	Pate	D6/511	D577,857 S *	9/2008	Tress et al.	D26/141
D348,940 S *	7/1994	Clark et al.	D25/124	D578,248 S *	10/2008	Lee et al.	D26/138
D353,467 S *	12/1994	Raynes	D25/38	D578,705 S *	10/2008	Aberg et al.	D26/138
D356,645 S *	3/1995	Boer	D25/119	D582,602 S *	12/2008	Maxik et al.	D26/118
5,430,627 A *	7/1995	Nagano	362/146	D587,731 S *	3/2009	Niedermeyer	D15/136
5,499,170 A *	3/1996	Gagne	362/84	D595,078 S *	6/2009	Kollman et al.	D6/580
D373,963 S *	9/1996	Nagai et al.	D10/94	D595,984 S *	7/2009	Kollman et al.	D6/580
D375,324 S *	11/1996	Grass	D20/11	D598,574 S *	8/2009	Bergmann	D25/122
D378,432 S *	3/1997	Raynes	D25/164	D599,387 S *	9/2009	Chuo et al.	D15/143
D379,237 S *	5/1997	Leonelli	D25/119	D600,401 S *	9/2009	Varrin	D26/138
D379,524 S *	5/1997	Leonelli	D25/119	D600,484 S *	9/2009	Anderson et al.	D6/580
D379,535 S *	5/1997	Dallaire et al.	D25/125	D602,346 S *	10/2009	Allsopp	D8/369
D381,088 S *	7/1997	DiGiorgio	D25/124	D606,793 S *	12/2009	Allsopp	D6/580
D384,471 S *	9/1997	Kubsik et al.	D34/29	7,654,703 B2 *	2/2010	Kan et al.	362/362
D389,460 S *	1/1998	Wei-Hong	D13/155	D611,169 S *	3/2010	Harder	D25/122
D393,083 S *	3/1998	Caltrider	D25/199	D616,035 S *	5/2010	Kosir et al.	D20/44
5,724,909 A *	3/1998	Pitman et al.	116/202	D616,946 S *	6/2010	Garfinkle et al.	D20/43
D397,231 S *	8/1998	Saxer	D25/119	D621,090 S *	8/2010	Klu	D26/138
D417,607 S *	12/1999	Vining	D8/373	D621,961 S *	8/2010	Gardner	D25/119
6,074,074 A *	6/2000	Marcus	362/240	7,766,505 B2 *	8/2010	Tseng et al.	362/217.17
6,107,576 A *	8/2000	Morton et al.	174/101	D623,342 S *	9/2010	Klu	D26/138
D432,672 S *	10/2000	Grosfillex	D25/124	D623,343 S *	9/2010	Klu	D26/138
D437,944 S *	2/2001	Neuhofer, Jr.	D25/199	D625,463 S *	10/2010	Klu	D26/138
D441,879 S *	5/2001	Habeck et al.	D25/124	D625,588 S *	10/2010	Norris et al.	D8/382
D443,198 S *	6/2001	Snyder	D8/354	D626,839 S *	11/2010	Gross et al.	D9/456
D445,211 S *	7/2001	Baker	D26/76	7,857,482 B2 *	12/2010	Reo et al.	362/225
6,276,634 B1 *	8/2001	Bodle	244/118.5	D631,171 S *	1/2011	Konrad	D25/49
6,302,560 B1 *	10/2001	Lai	362/235	D634,063 S *	3/2011	Peifer	D26/138
D450,234 S *	11/2001	Bosgoed	D8/377	D634,876 S *	3/2011	McGrath et al.	D26/79
D453,971 S *	2/2002	Baker	D25/124	D639,098 S *	6/2011	Bosgoed	D6/580
6,361,186 B1 *	3/2002	Slayden	362/241	D639,144 S *	6/2011	Schaefer et al.	D8/354
D455,634 S *	4/2002	Hummel et al.	D8/314	D641,101 S *	7/2011	Radchenko et al.	D26/138
6,385,047 B1 *	5/2002	McCullough et al.	361/704	D641,923 S *	7/2011	Radchenko et al.	D26/138
D471,994 S *	3/2003	Chaney et al.	D25/124	2003/0163967 A1 *	9/2003	Sims	52/586.2
6,554,446 B1 *	4/2003	Walsh et al.	362/146	2004/0076004 A1 *	4/2004	Smith, Jr.	362/237
D482,405 S *	11/2003	McIlvaine	D20/43	2006/0191101 A1 *	8/2006	Elmer	16/91
D483,443 S *	12/2003	Forsberg	D23/267	2008/0030981 A1 *	2/2008	Mrakovich et al.	362/219
6,659,623 B2 *	12/2003	Friend	362/249.06	2009/0207602 A1 *	8/2009	Reed et al.	362/225
D486,340 S *	2/2004	Sudano	D6/577	2009/0219713 A1 *	9/2009	Siemiet et al.	362/218

* cited by examiner

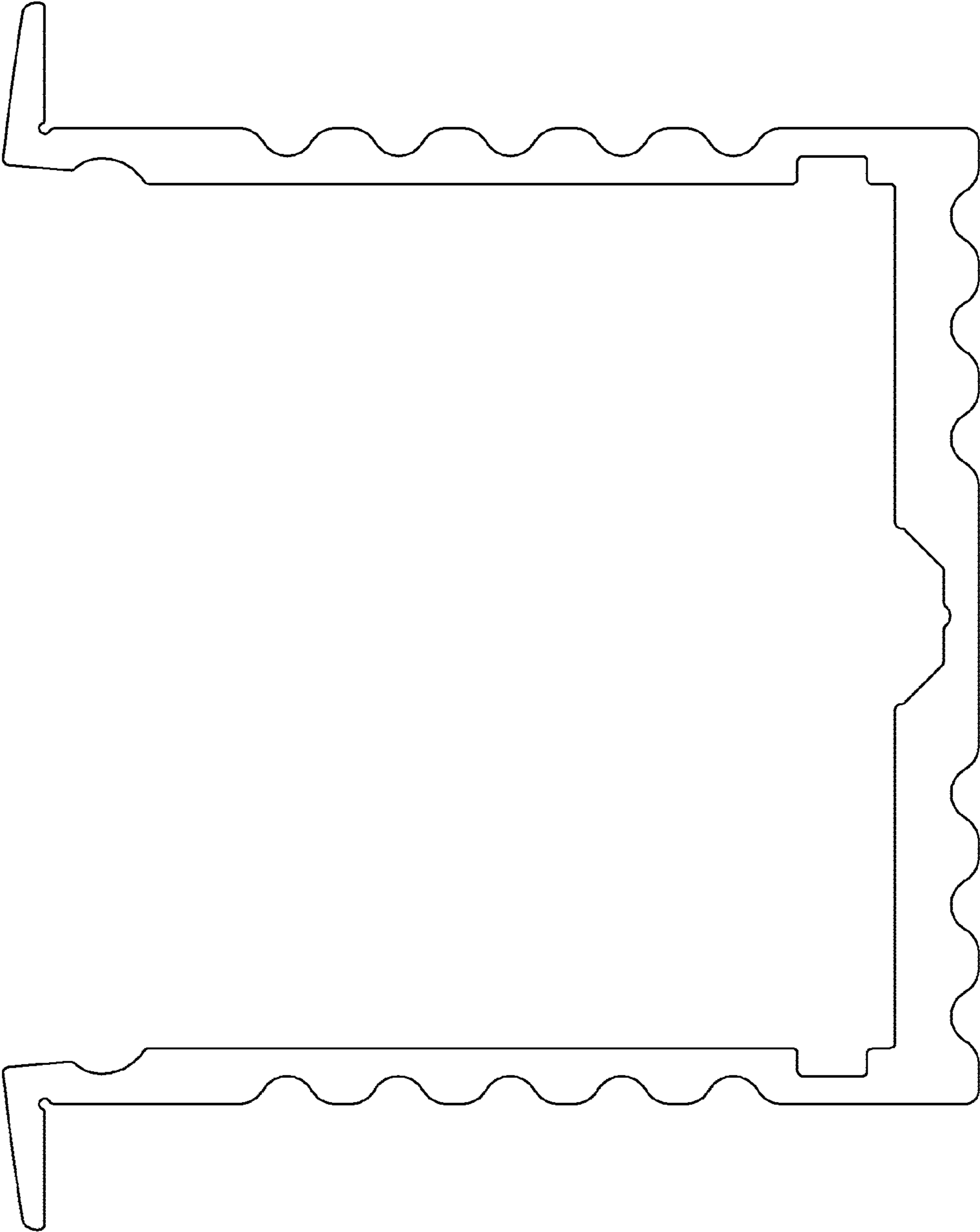


FIG. 1

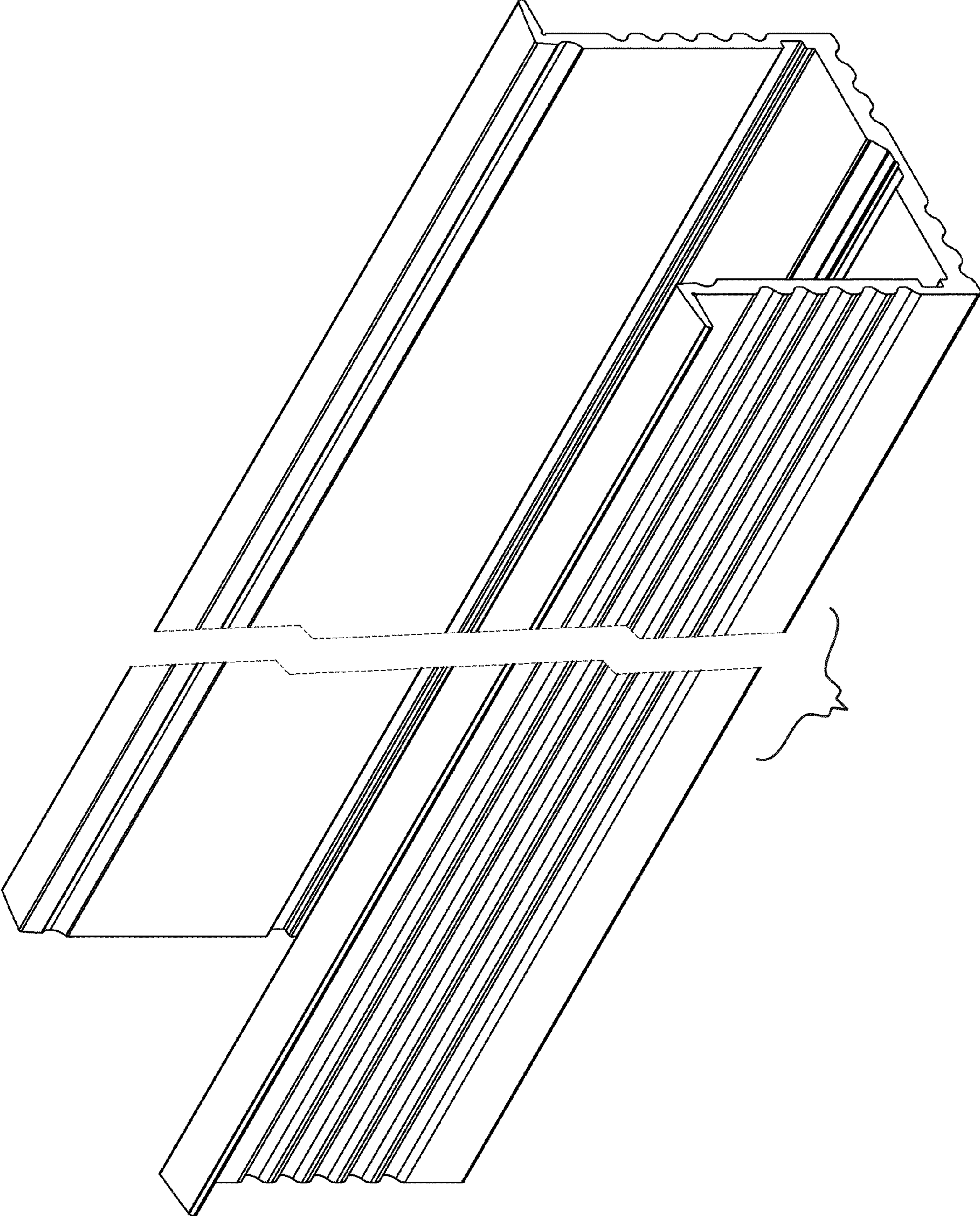


FIG. 2