



US00D649678S

(12) **United States Design Patent**  
**Germain et al.**

(10) **Patent No.:** **US D649,678 S**

(45) **Date of Patent:** **\*\* Nov. 29, 2011**

(54) **SQUARE LUMINAIRE**

(75) Inventors: **Steve Germain**, L'Île-Perrot (CA);  
**Emil Wegger**, Viby J (DK); **Markus J. Mayer**,  
Munich (DE); **Fabio Reyes**, Silkeborg (DK);  
**Claus Jepsen**, Horsens (DK); **Nick Ross**, San Francisco, CA (US);  
**Mokhtar Liamini**, Lachine (CA)

(73) Assignee: **GE Lighting Solutions, LLC**,  
Cleveland, OH (US)

(\*\*) Term: **14 Years**

(21) Appl. No.: **29/389,263**

(22) Filed: **Apr. 8, 2011**

(51) **LOC (9) Cl.** ..... **26-03**

(52) **U.S. Cl.** ..... **D26/91; D26/85**

(58) **Field of Classification Search** ..... D26/72,  
D26/85, 87, 91; 362/147, 404-408, 432  
See application file for complete search history.

(56) **References Cited**

U.S. PATENT DOCUMENTS

D455,223 S \* 4/2002 Crosby ..... D26/85  
D519,667 S \* 4/2006 Zucker ..... D26/85

D568,523 S \* 5/2008 Goetz-Schaefer ..... D26/85  
D626,276 S \* 10/2010 Sabernig ..... D26/85  
D629,146 S \* 12/2010 van den Akker ..... D26/89  
D634,055 S \* 3/2011 Hokazono et al. .... D26/89  
D634,056 S \* 3/2011 Hokazono et al. .... D26/89  
D636,108 S \* 4/2011 Nguyen et al. .... D26/89  
D636,923 S \* 4/2011 De Bevilacqua ..... D26/85  
D640,821 S \* 6/2011 Kocks ..... D26/89

\* cited by examiner

*Primary Examiner* — Clare E Heflin

(74) *Attorney, Agent, or Firm* — Fay Sharpe LLP

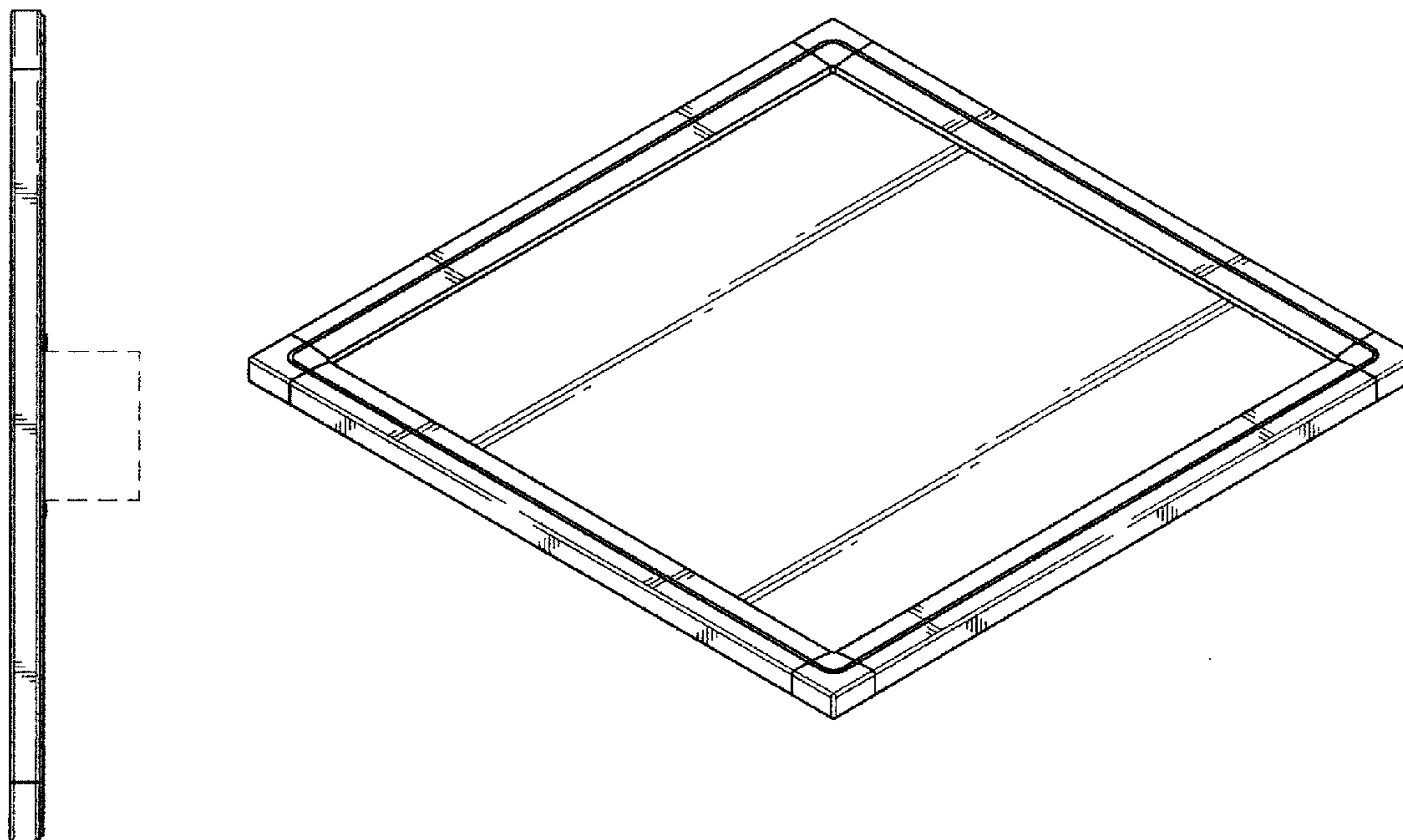
(57) **CLAIM**

The ornamental design for a square luminaire, as shown and described.

**DESCRIPTION**

FIG. 1 is a bottom plan view of a luminaire;  
FIG. 2 is a first end view thereof;  
FIG. 3 is the other end view thereof;  
FIG. 4 is a top plan view thereof;  
FIG. 5 is a first side elevation view thereof;  
FIG. 6 is the other side elevation view thereof; and,  
FIG. 7 is a bottom perspective view thereof.  
The broken lines shown on the drawings depict environment only and form no part of the claimed design.

**1 Claim, 4 Drawing Sheets**



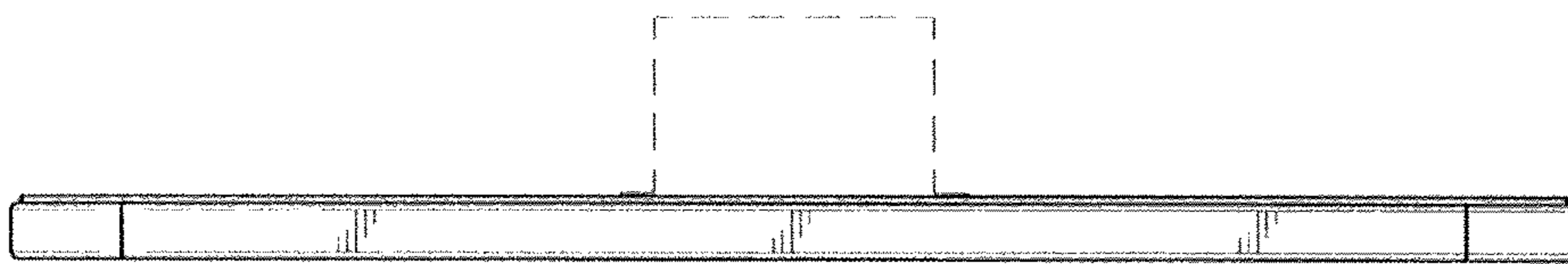


FIG. 2

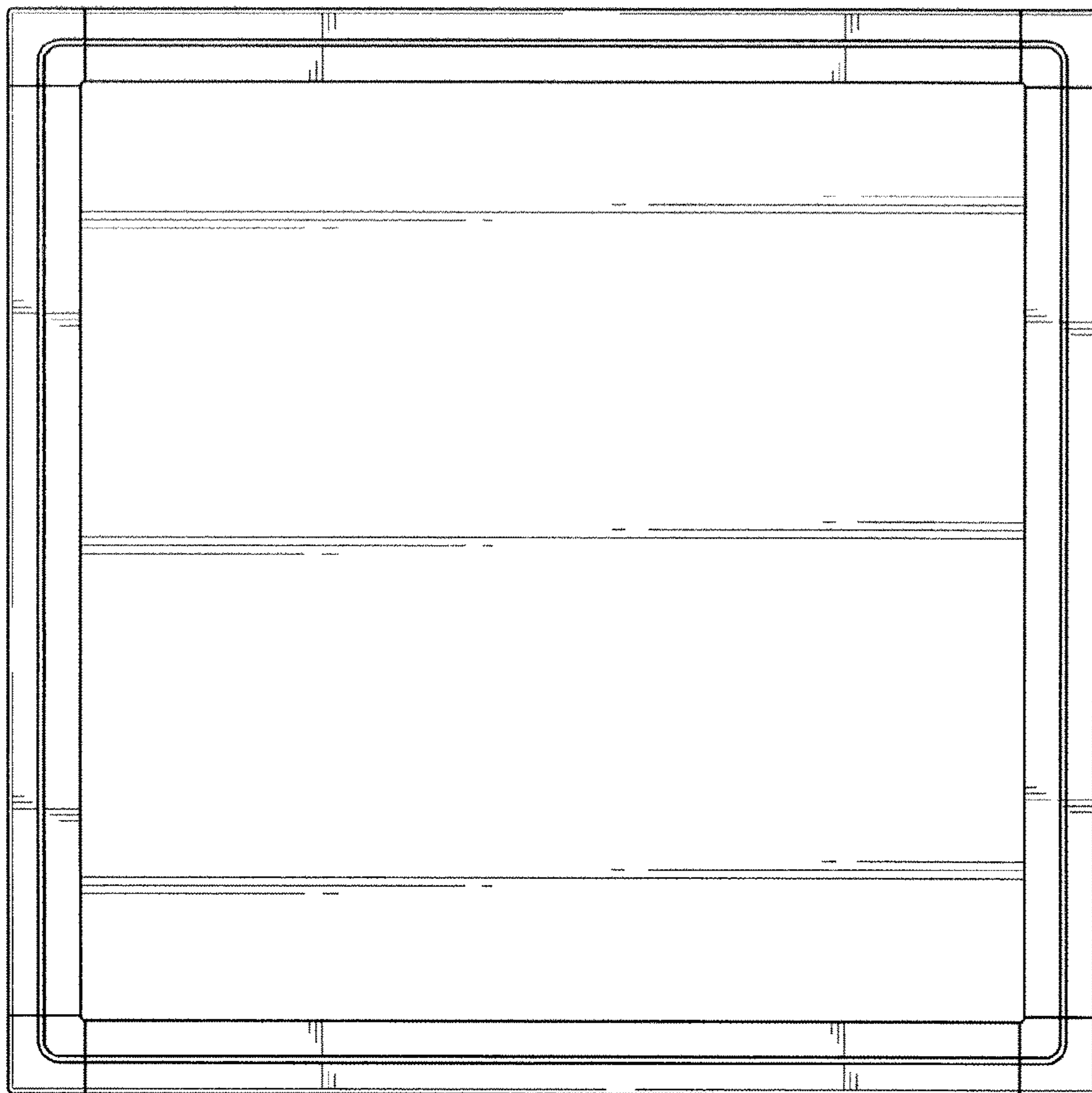


FIG. 1

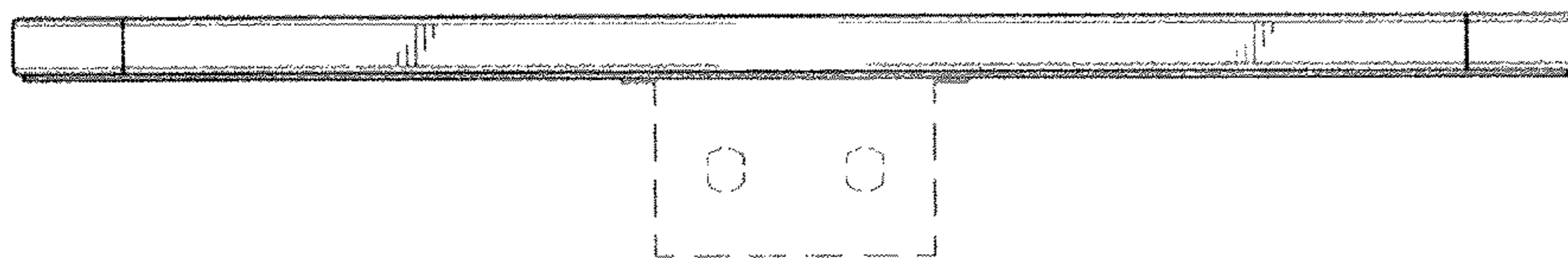


FIG. 3

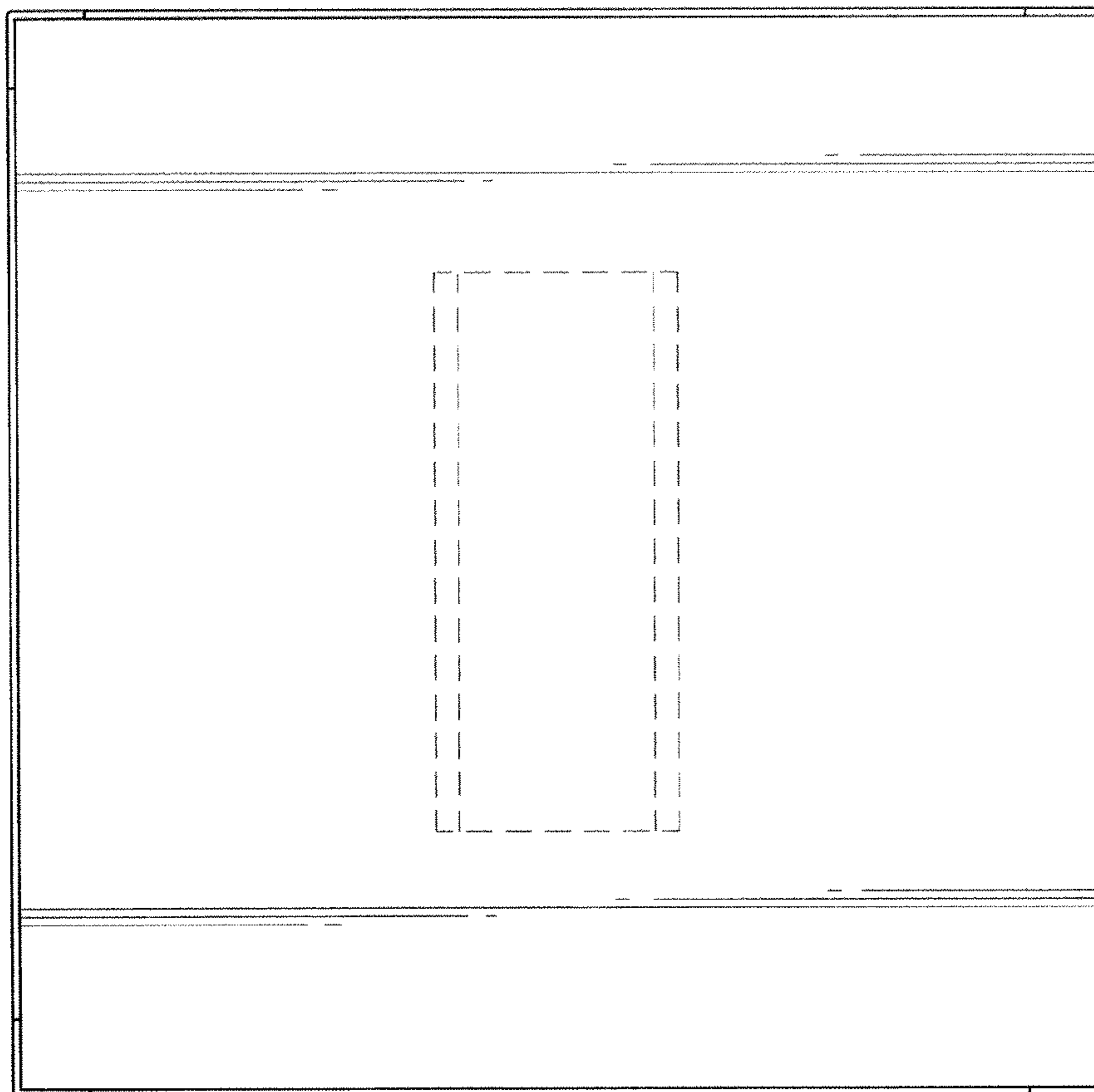


FIG. 4

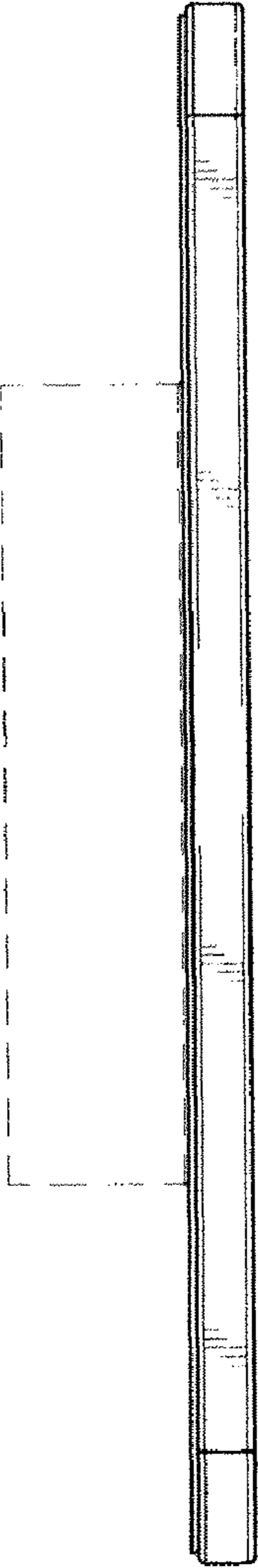


FIG. 5

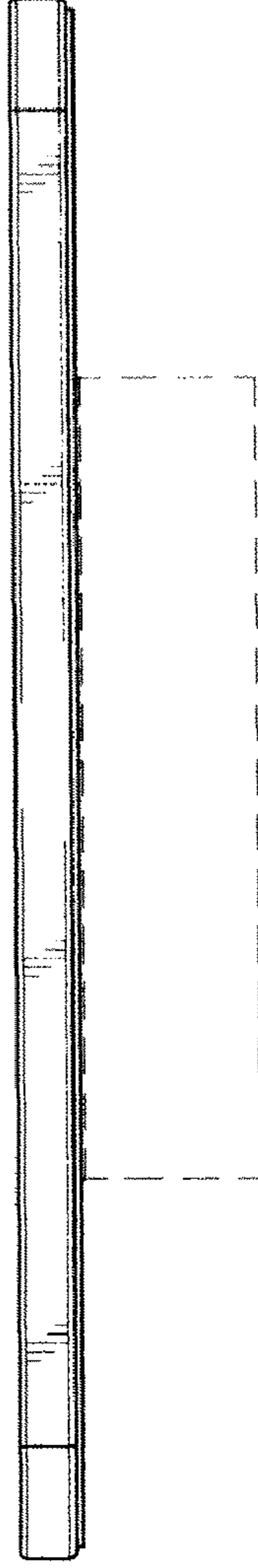


FIG. 6



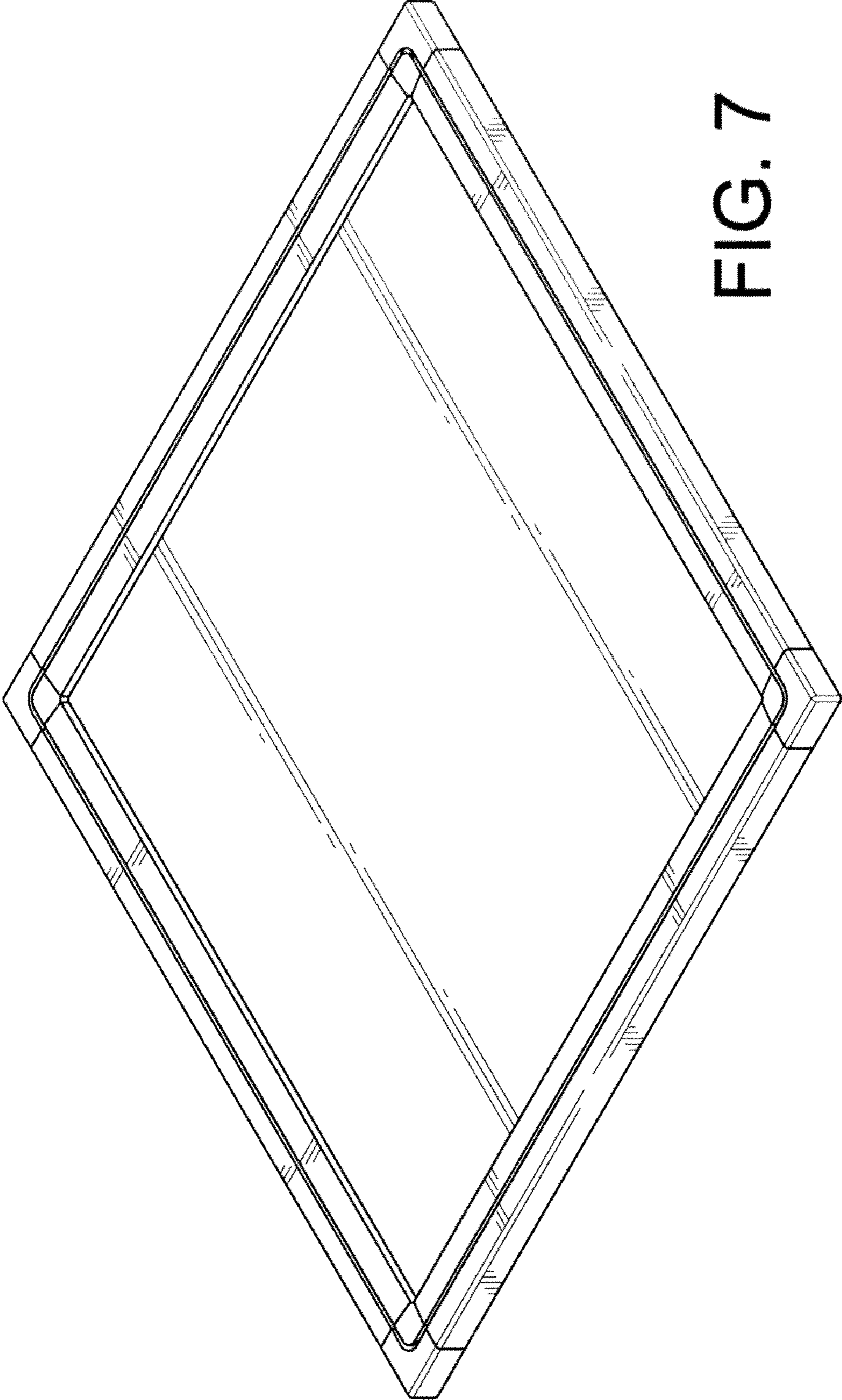


FIG. 7