



US00D649677S

(12) **United States Design Patent**  
**Wegger et al.**

(10) **Patent No.:** **US D649,677 S**

(45) **Date of Patent:** **\*\* Nov. 29, 2011**

(54) **BLADE OF LIGHT LUMINAIRE**

(75) Inventors: **Emil Wegger**, Viby J (DK); **Markus J. Mayer**, Munich (DE); **Fabio Reyes**, Silkeborg (DK); **Claus Jepsen**, Horsens (DK); **Nick Ross**, San Francisco, CA (US)

(73) Assignee: **GE Lighting Solutions, LLC**, Cleveland, OH (US)

(\*\*) Term: **14 Years**

(21) Appl. No.: **29/389,266**

(22) Filed: **Apr. 8, 2011**

(51) **LOC (9) Cl.** ..... **26-03**

(52) **U.S. Cl.** ..... **D26/90**

(58) **Field of Classification Search** ..... D26/75,  
D26/76, 80-91; 362/147, 404-408, 217.01  
See application file for complete search history.

(56) **References Cited**

**U.S. PATENT DOCUMENTS**

D357,998 S *	5/1995	Kania .....	D26/88
D421,146 S *	2/2000	Poulton .....	D26/76
D514,731 S *	2/2006	Engel .....	D26/88
D557,442 S *	12/2007	Niemier .....	D26/85
D576,334 S *	9/2008	Levine .....	D26/76
D595,445 S *	6/2009	Gunter .....	D26/76
D608,488 S *	1/2010	Miranda .....	D26/87

D621,989 S *	8/2010	Proner .....	D26/76
D626,277 S *	10/2010	Sabernig .....	D26/88
D626,278 S *	10/2010	Sabernig .....	D26/88
D629,553 S *	12/2010	Gielen .....	D26/76

**OTHER PUBLICATIONS**

Contempra—Fixture #E22127-10 shown on p. 180 of the ET2 2007 Catalog. (2 pages, includes rear cover of catalog).\*  
Sonneman 3201.13—2 Light Suspended Glass Hanging Large Pendant. Found online at modernlightinguniverse.com, first visited Jun. 16, 2009.\*

\* cited by examiner

*Primary Examiner* — Clare E Heflin

(74) *Attorney, Agent, or Firm* — Fay Sharpe LLP

(57) **CLAIM**

The ornamental design for a blade of light luminaire, as shown and described.

**DESCRIPTION**

FIG. 1 is a side elevation view of a luminaire (it is noted that each side elevation view is essentially identical and therefore only one is provided);

FIG. 2 is an end view thereof (it is noted that each end view is essentially identical and therefore only one is provided);

FIG. 3 is a top plan view thereof;

FIG. 4 is a bottom plan view thereof; and,

FIG. 5 is a side perspective view thereof.

**1 Claim, 3 Drawing Sheets**

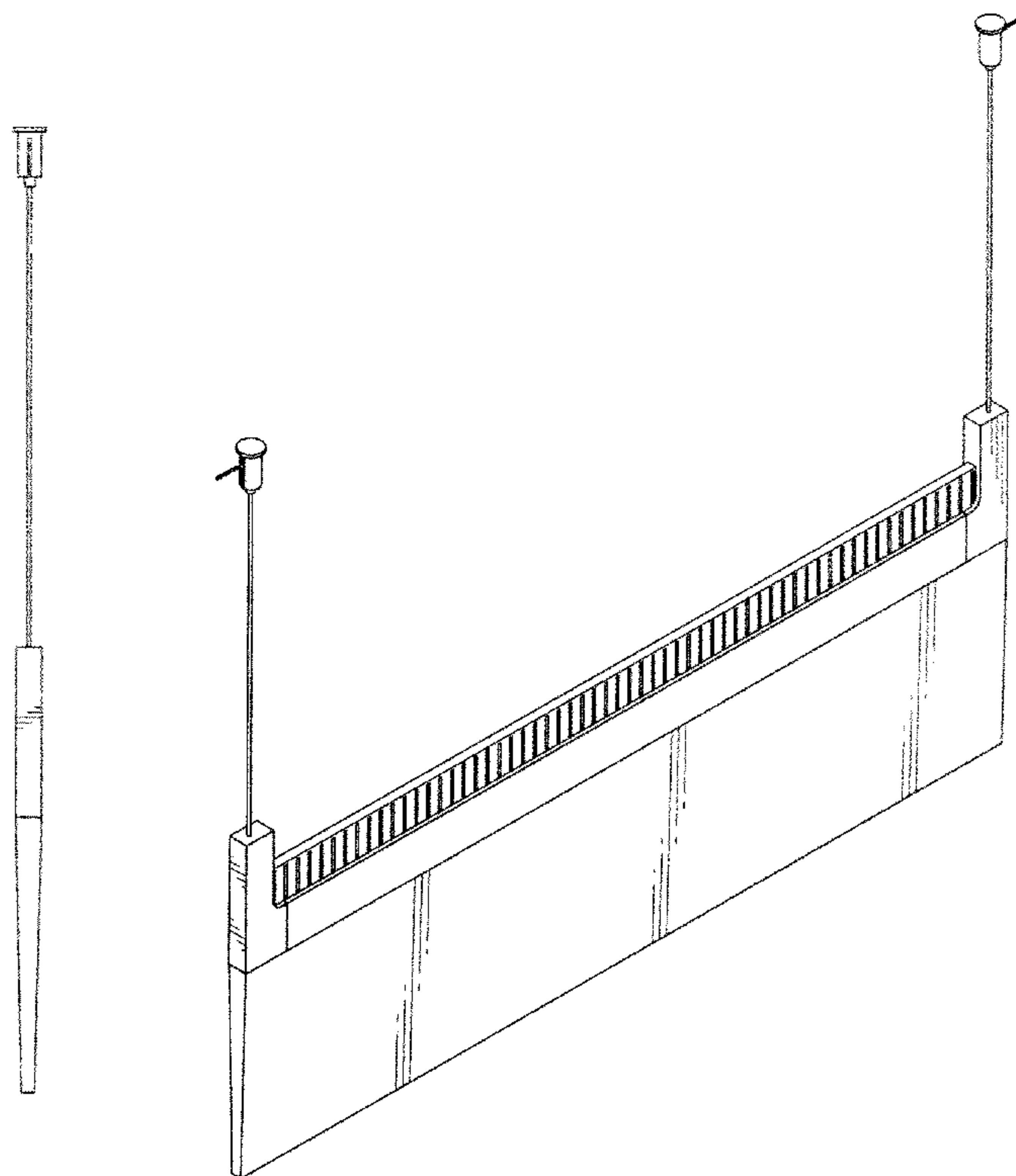




FIG. 1

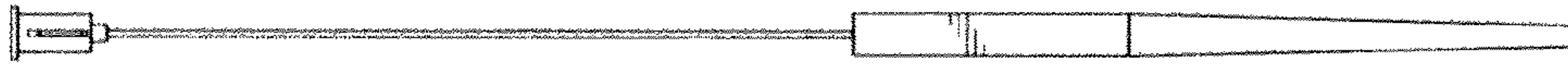


FIG. 2

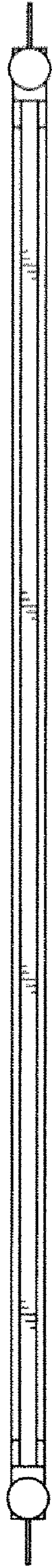


FIG. 3



FIG. 4

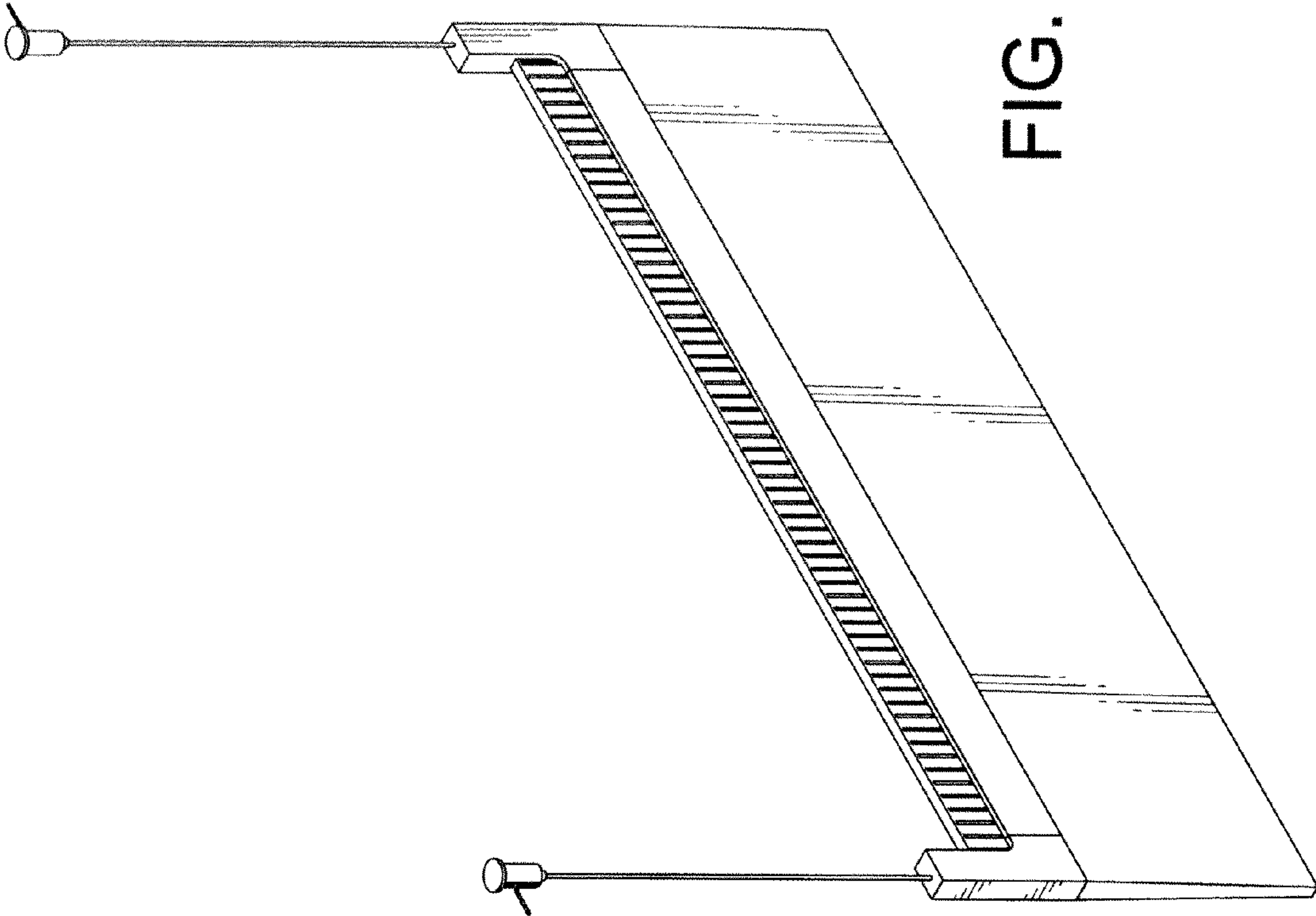


FIG. 5