



US00D649673S

(12) **United States Design Patent**
Liang et al.

(10) **Patent No.:** **US D649,673 S**

(45) **Date of Patent:** **** Nov. 29, 2011**

(54) **BULKHEAD LAMP**

(75) Inventors: **Tak Keung Liang**, Hong Kong (HK);
Yiu Kuen Ho, Hong Kong (HK)

(73) Assignee: **Hong Kong Applied Science and
Technology Research Institute
Company Limited**, New Territories
(HK)

(**) Term: **14 Years**

(21) Appl. No.: **29/390,078**

(22) Filed: **Apr. 20, 2011**

(51) **LOC (9) Cl.** **26-05**

(52) **U.S. Cl.** **D26/72; D26/85**

(58) **Field of Classification Search** D26/72,
D26/75, 76, 80, 85-92, 128, 130; 362/133,
362/147, 240, 404-408, 431, 432

See application file for complete search history.

(56) **References Cited**

U.S. PATENT DOCUMENTS

2,149,635	A *	3/1939	Shepard et al.	362/490
D140,343	S *	2/1945	Nitardy	D26/76
D443,096	S *	5/2001	Echito	D26/76
D449,402	S *	10/2001	Echito	D26/76
D483,511	S *	12/2003	Lay et al.	D26/80
D493,565	S *	7/2004	Smith et al.	D26/118
D498,018	S *	11/2004	Sieczkowski	D26/118
D567,425	S *	4/2008	Yates	D26/76
D584,844	S *	1/2009	Ghini	D26/76
D586,029	S *	2/2009	Copeland	D26/83
D587,835	S *	3/2009	Hanson	D26/85
D609,841	S *	2/2010	Bush	D26/76
D642,726	S *	8/2011	Khubani	D26/80

* cited by examiner

Primary Examiner — Clare E Heflin

(74) *Attorney, Agent, or Firm* — Ella Cheong Hong Kong;
Margaret Burke; Sam T. Yip

(57) **CLAIM**

The ornamental design for a bulkhead lamp, as shown and described.

DESCRIPTION

A portion of the disclosure of this patent document contains material, which is subject to copyright protection. The copyright owner has no objection to the facsimile reproduction by anyone of the patent document or the patent disclosure, as it appears in the Patent and Trademark Office patent file or records, but otherwise reserves all copyright rights whatsoever.

FIG. 1 is a frontal view of a bulkhead lamp showing our new design.

FIG. 2 is a left view of a bulkhead lamp showing our new design.

FIG. 3 is a back view of a bulkhead lamp showing our new design.

FIG. 4 is a right view of a bulkhead lamp showing our new design.

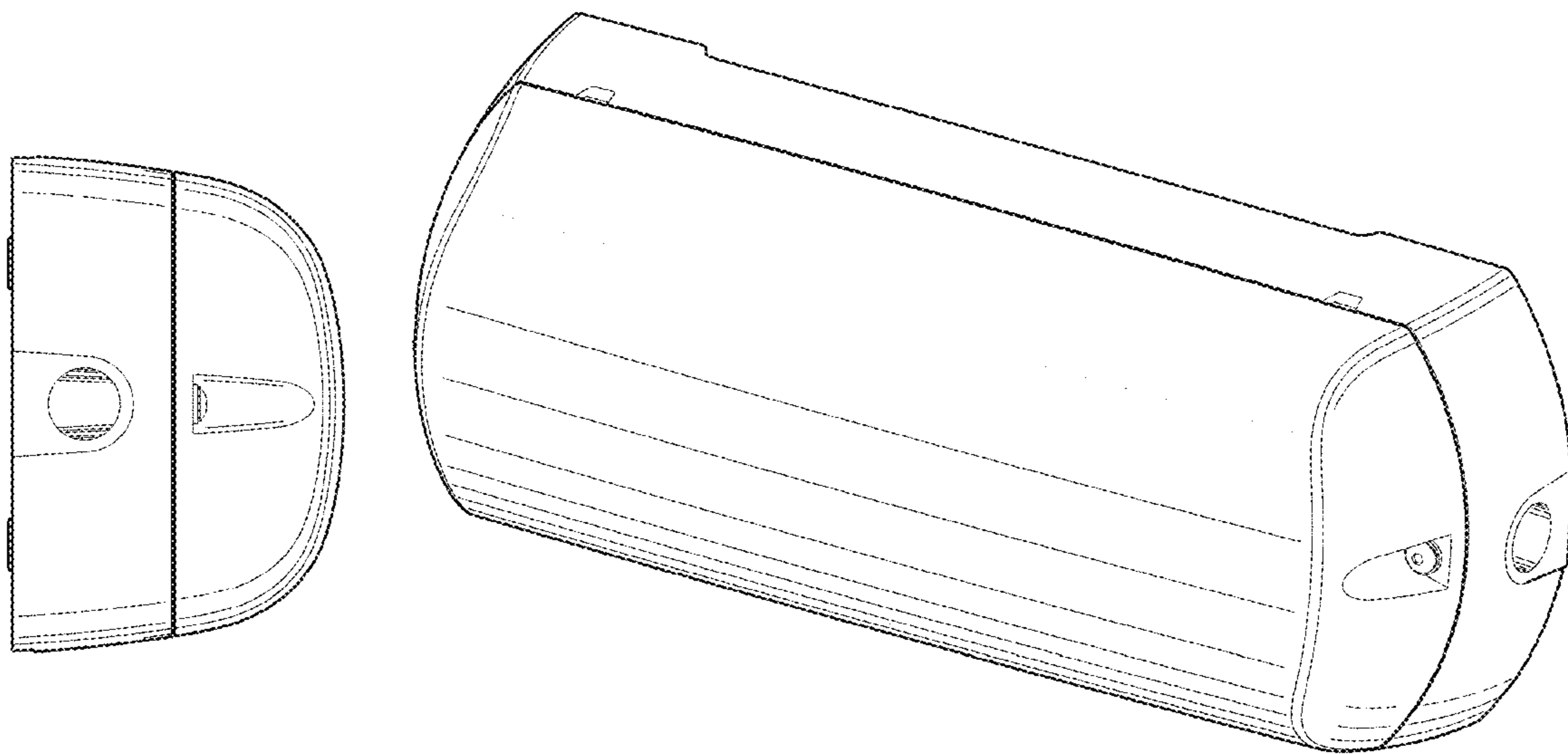
FIG. 5 is a top view of a bulkhead lamp showing our new design.

FIG. 6 is a bottom view of a bulkhead lamp showing our new design; and,

FIG. 7 is a perspective view of a bulkhead lamp showing our new design.

The broken lines in FIGS. 1 to 7 are for illustrative purposes only and form no part of the claimed design.

1 Claim, 7 Drawing Sheets



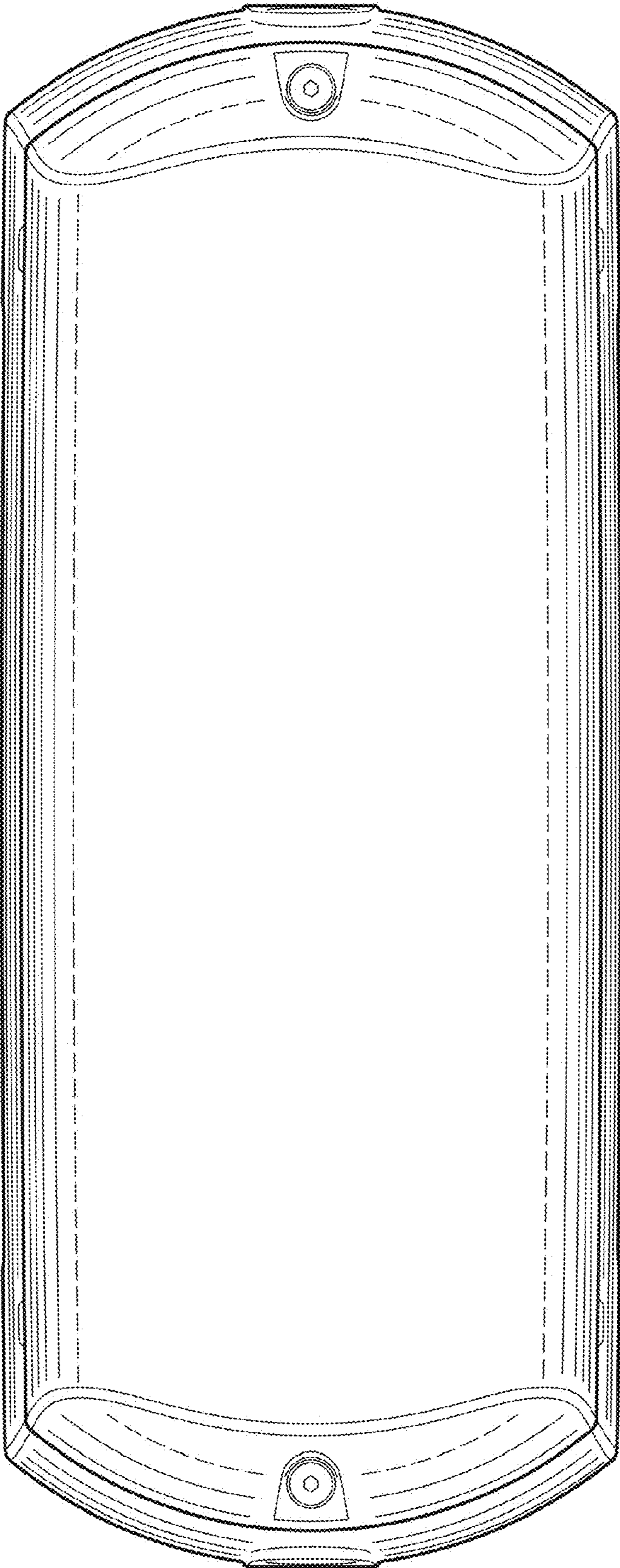


FIG. 1

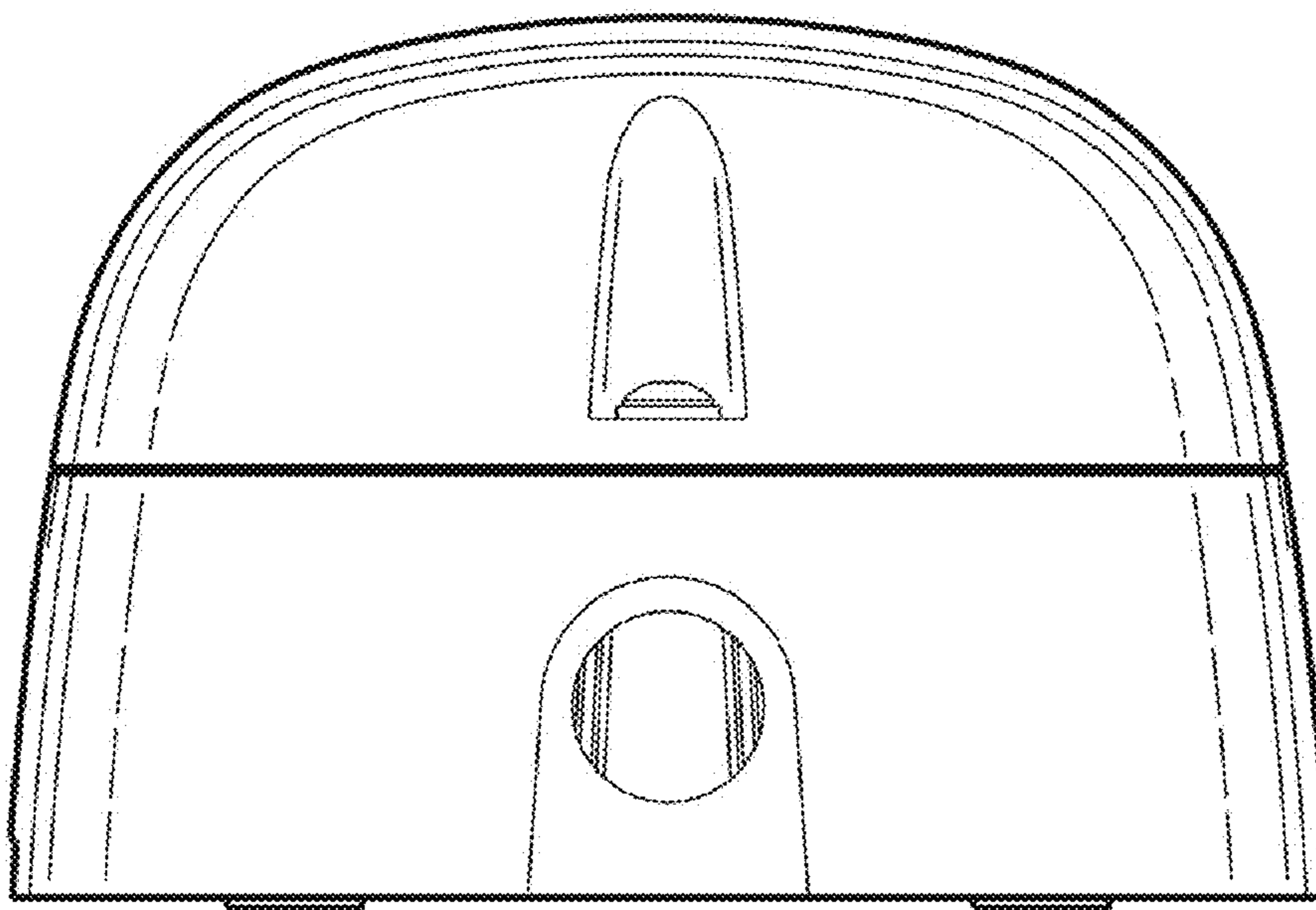


FIG. 2

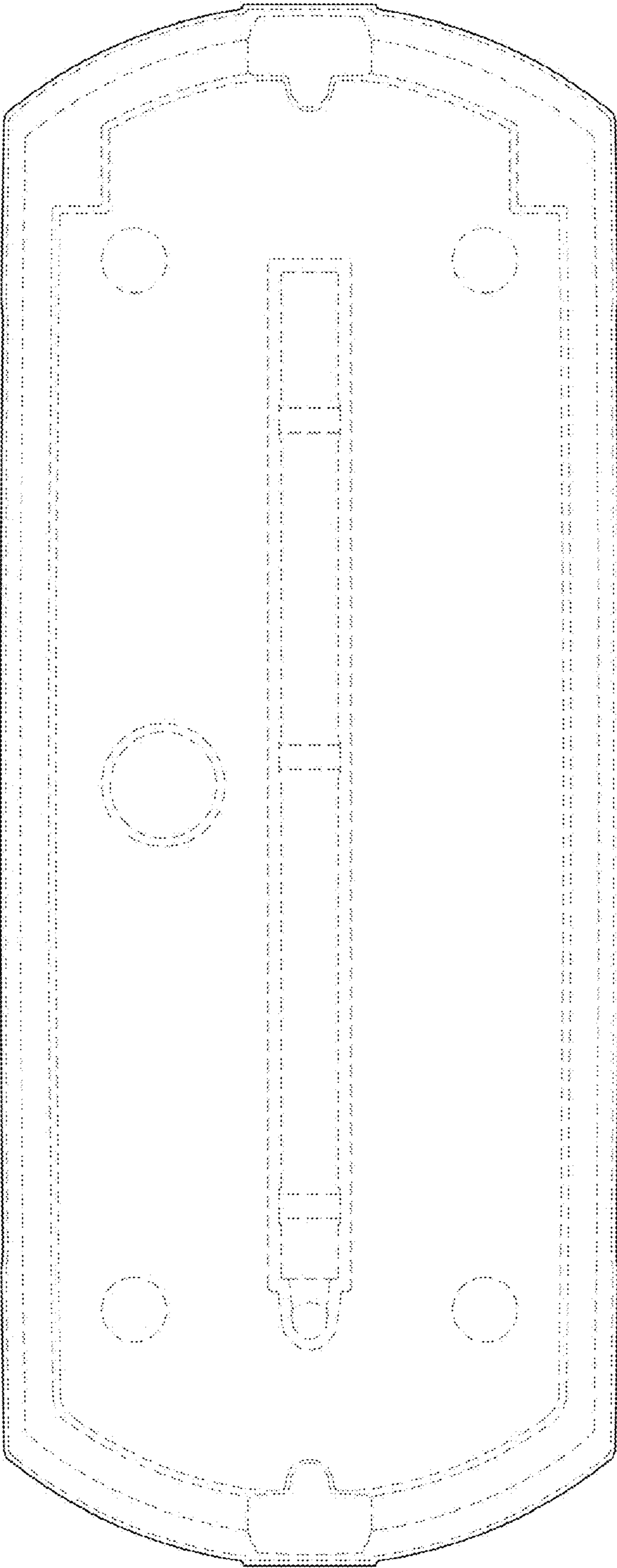


FIG. 3

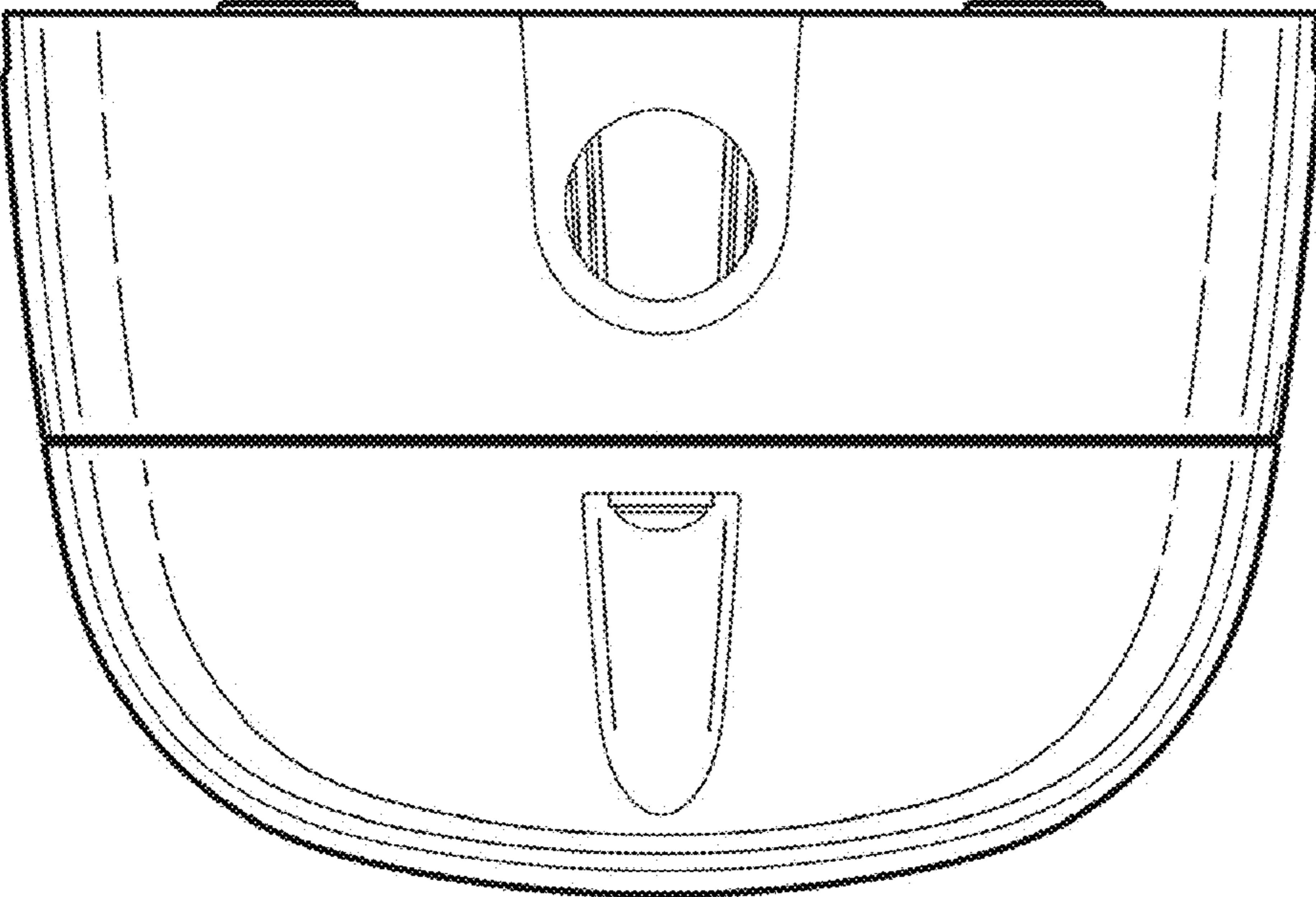


FIG. 4

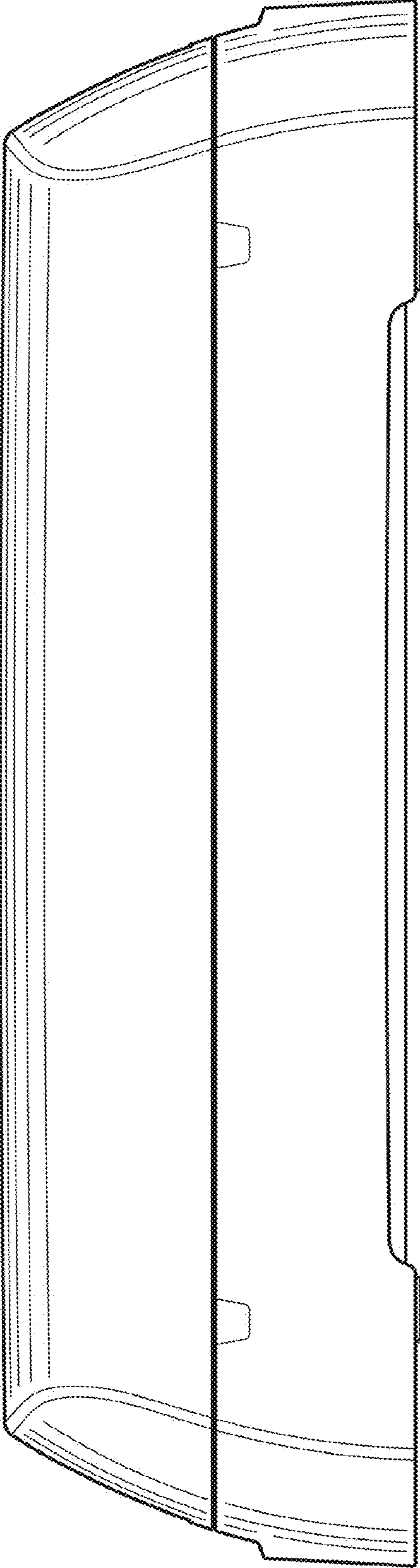


FIG. 5

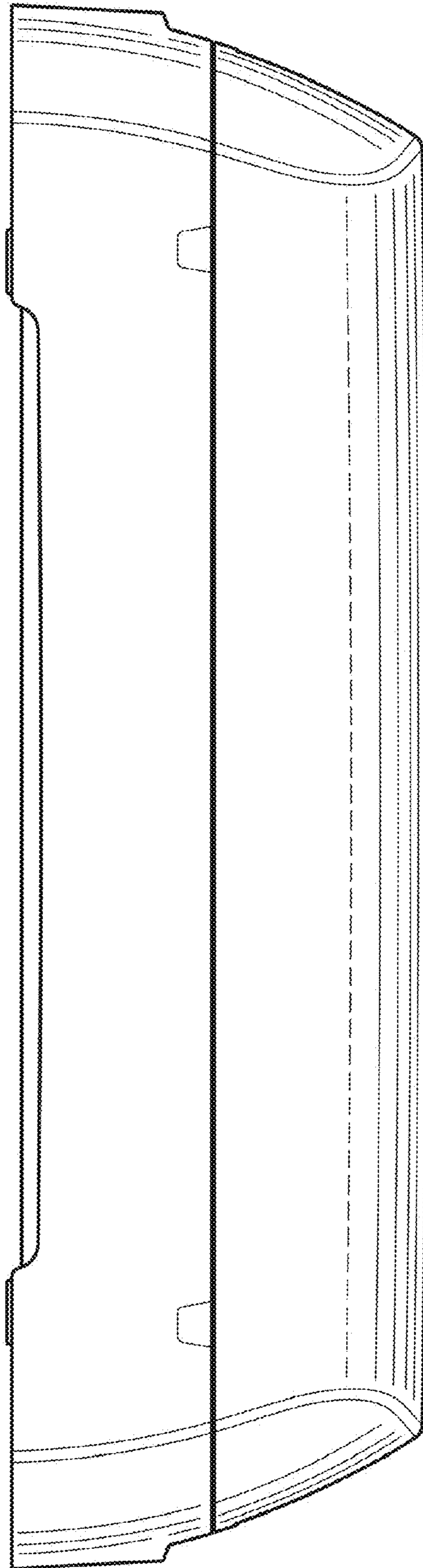


FIG. 6

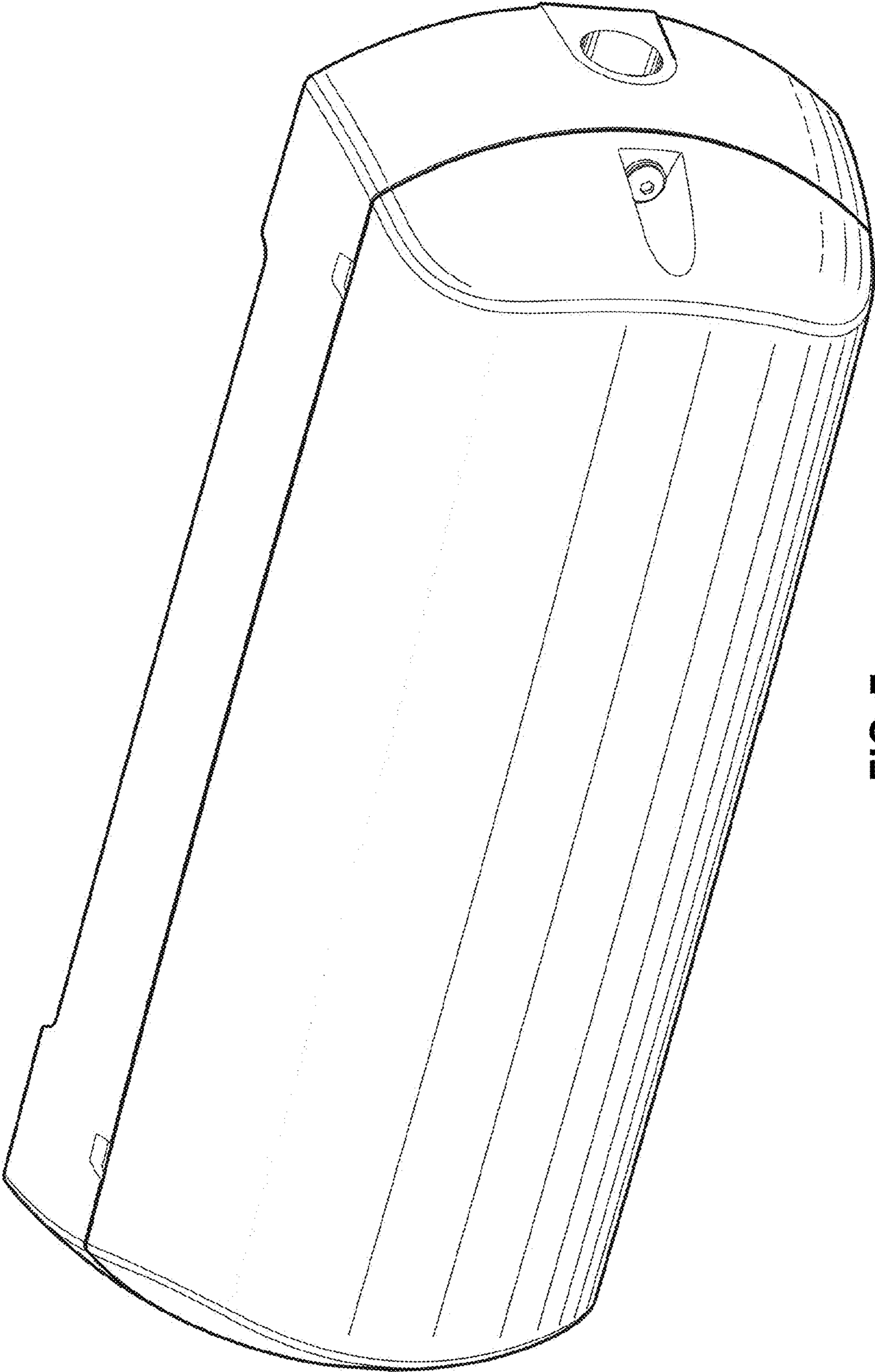


FIG. 7