

US00D649672S

(12) **United States Design Patent**  
**Wang et al.**

(10) **Patent No.:** **US D649,672 S**

(45) **Date of Patent:** **\*\* Nov. 29, 2011**

(54) **MINI TASK LAMP**

(75) Inventors: **Wei Wang**, Shenzhen (CN);  
**Chiang-Kuo Tang**, Taipei Hsien (TW);  
**Wen-Hsiang Lu**, Taipei Hsien (TW);  
**Huai-Shan Gu**, Shenzhen (CN)

(73) Assignee: **Hon Hai Precision Industry Co., Ltd.**,  
Tu-Cheng, New Taipei (TW)

(\*\*) Term: **14 Years**

(21) Appl. No.: **29/355,182**

(22) Filed: **Feb. 3, 2010**

(30) **Foreign Application Priority Data**

Nov. 25, 2009 (CN) ..... 2009 3 0326659

(51) **LOC (9) Cl.** ..... **26-05**

(52) **U.S. Cl.** ..... **D26/65**

(58) **Field of Classification Search** ..... D26/60-66,  
D26/106-109, 93; 362/98, 99, 220, 222-225,  
362/269, 270, 274, 275, 277, 278, 282, 283,  
362/285, 287, 288, 311.01, 319, 322, 413,  
362/414, 418, 427, 800

See application file for complete search history.

(56) **References Cited**

**U.S. PATENT DOCUMENTS**

D327,334 S \* 6/1992 Parker ..... D26/65  
D351,678 S \* 10/1994 Chen ..... D26/65

D497,216 S \* 10/2004 Lee ..... D26/60  
D498,551 S \* 11/2004 Chan ..... D26/37  
D507,673 S \* 7/2005 Martin ..... D26/60  
D526,433 S \* 8/2006 Li ..... D26/60  
D590,532 S \* 4/2009 Levine ..... D26/60  
D623,336 S \* 9/2010 Levine ..... D26/65  
D642,315 S \* 7/2011 Yu Chung Han ..... D26/65

\* cited by examiner

*Primary Examiner* — Susan M Lee

*Assistant Examiner* — Linda G. Brooks

(74) *Attorney, Agent, or Firm* — Altis Law Group, Inc.

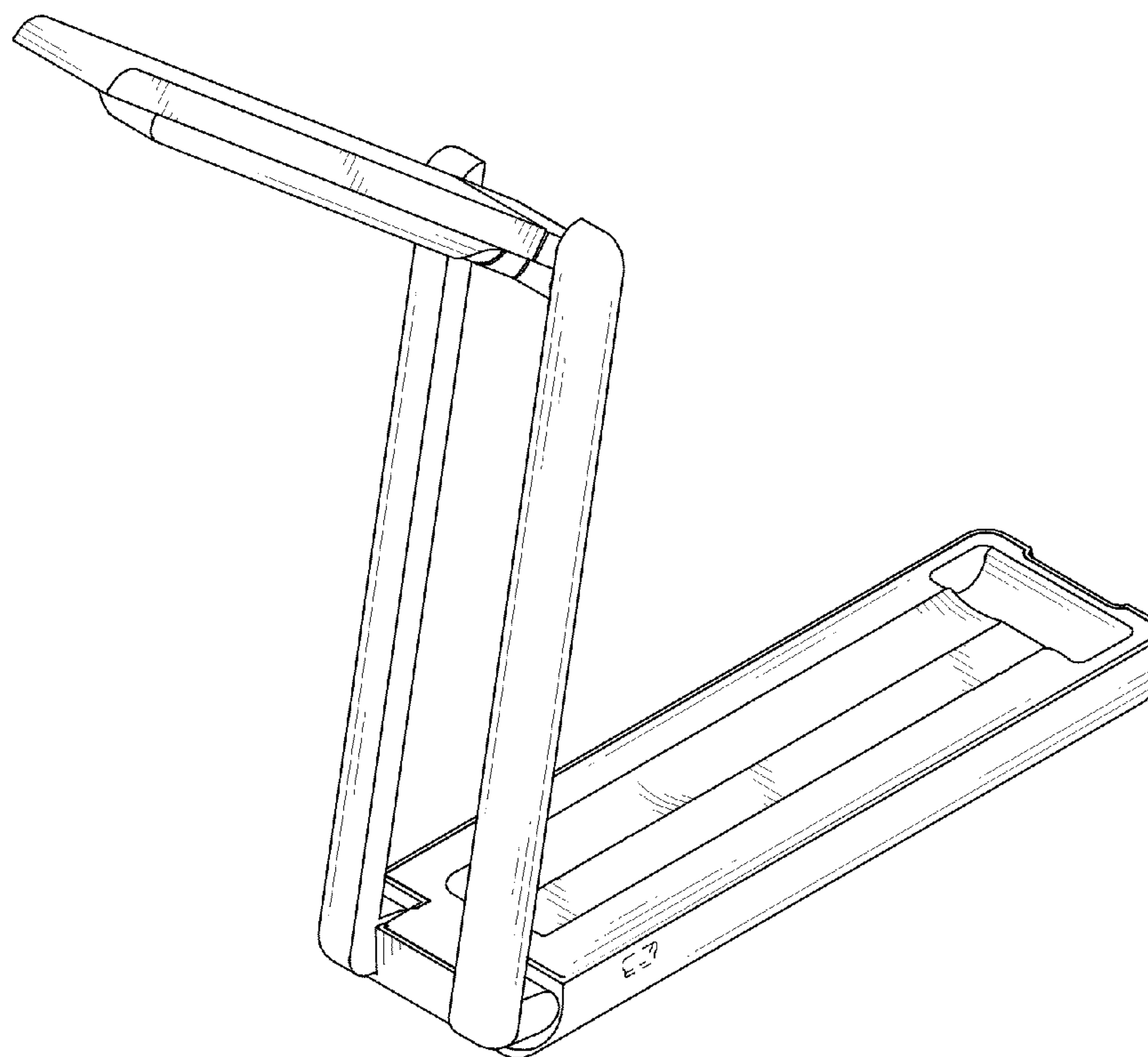
(57) **CLAIM**

The ornamental design for a mini task lamp, as shown and described.

**DESCRIPTION**

FIG. 1 is a perspective view of a mini task lamp showing our new design;  
FIG. 2 is a front elevational view thereof;  
FIG. 3 is a rear elevational view thereof;  
FIG. 4 is a left side elevational view thereof;  
FIG. 5 is a right side elevational view thereof;  
FIG. 6 is a top plan view thereof;  
FIG. 7 is a bottom plan view thereof; and,  
FIG. 8 is a perspective view thereof in a folded state.  
The broken lines in the figures form no part of the claimed design.

**1 Claim, 8 Drawing Sheets**



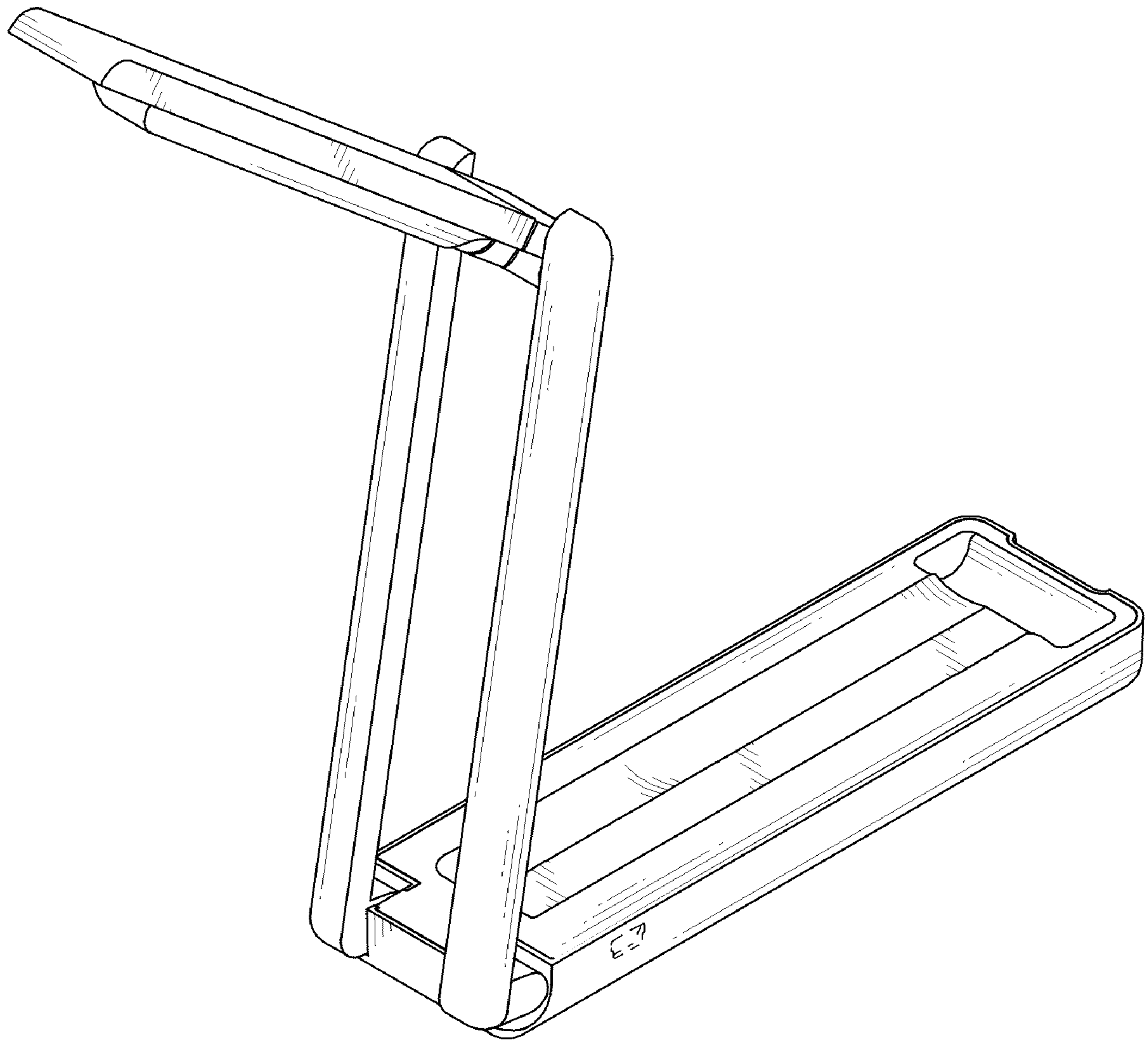


FIG. 1

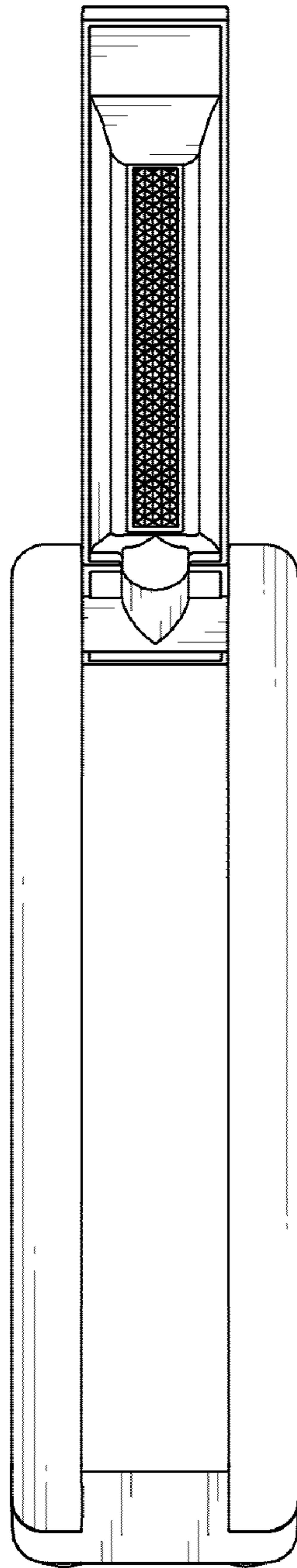


FIG. 2

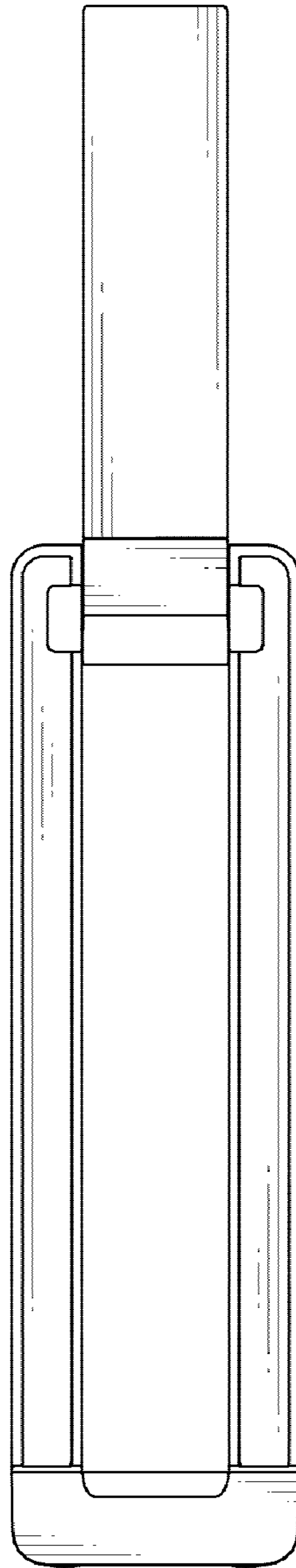


FIG. 3

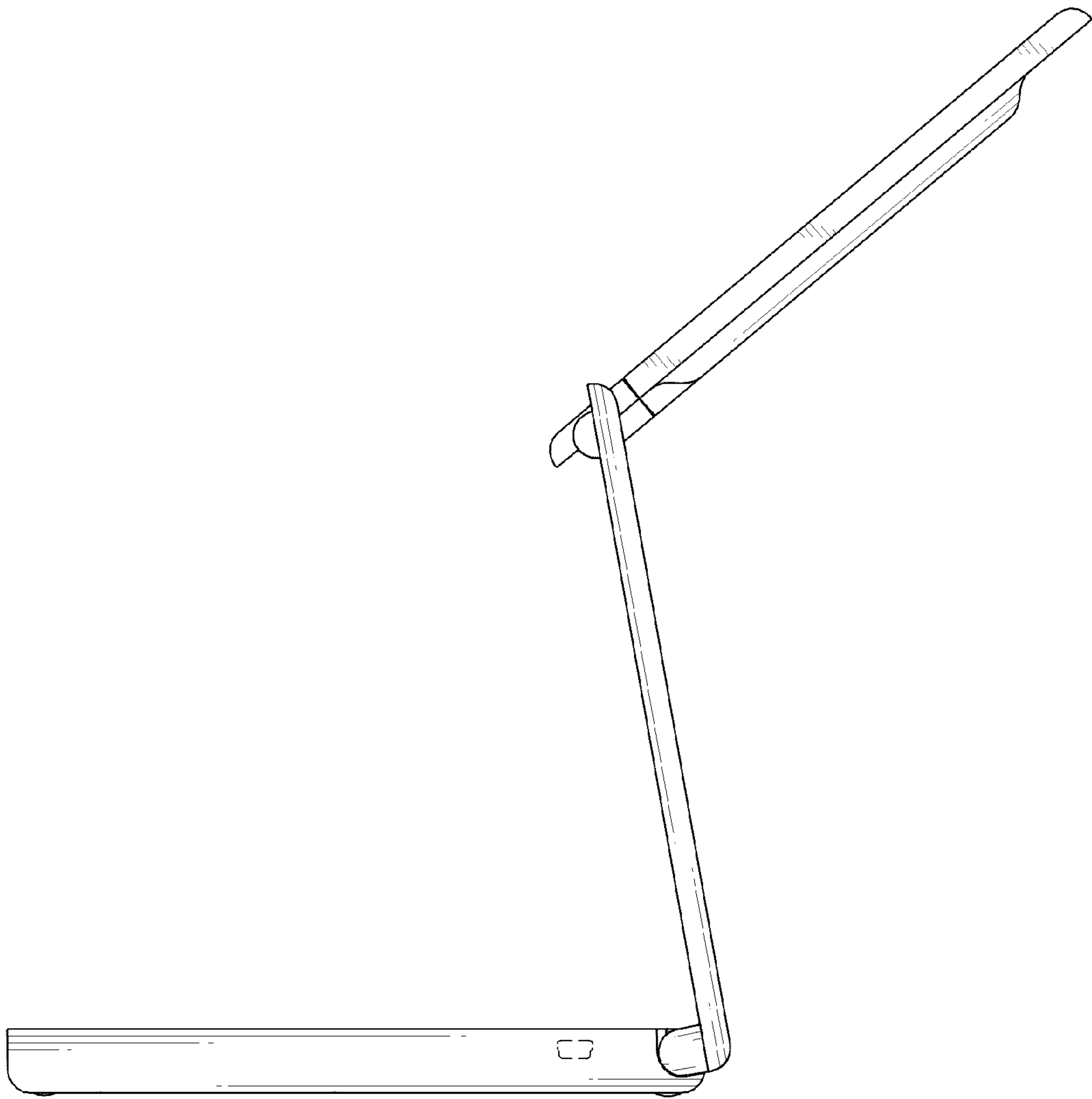


FIG. 4

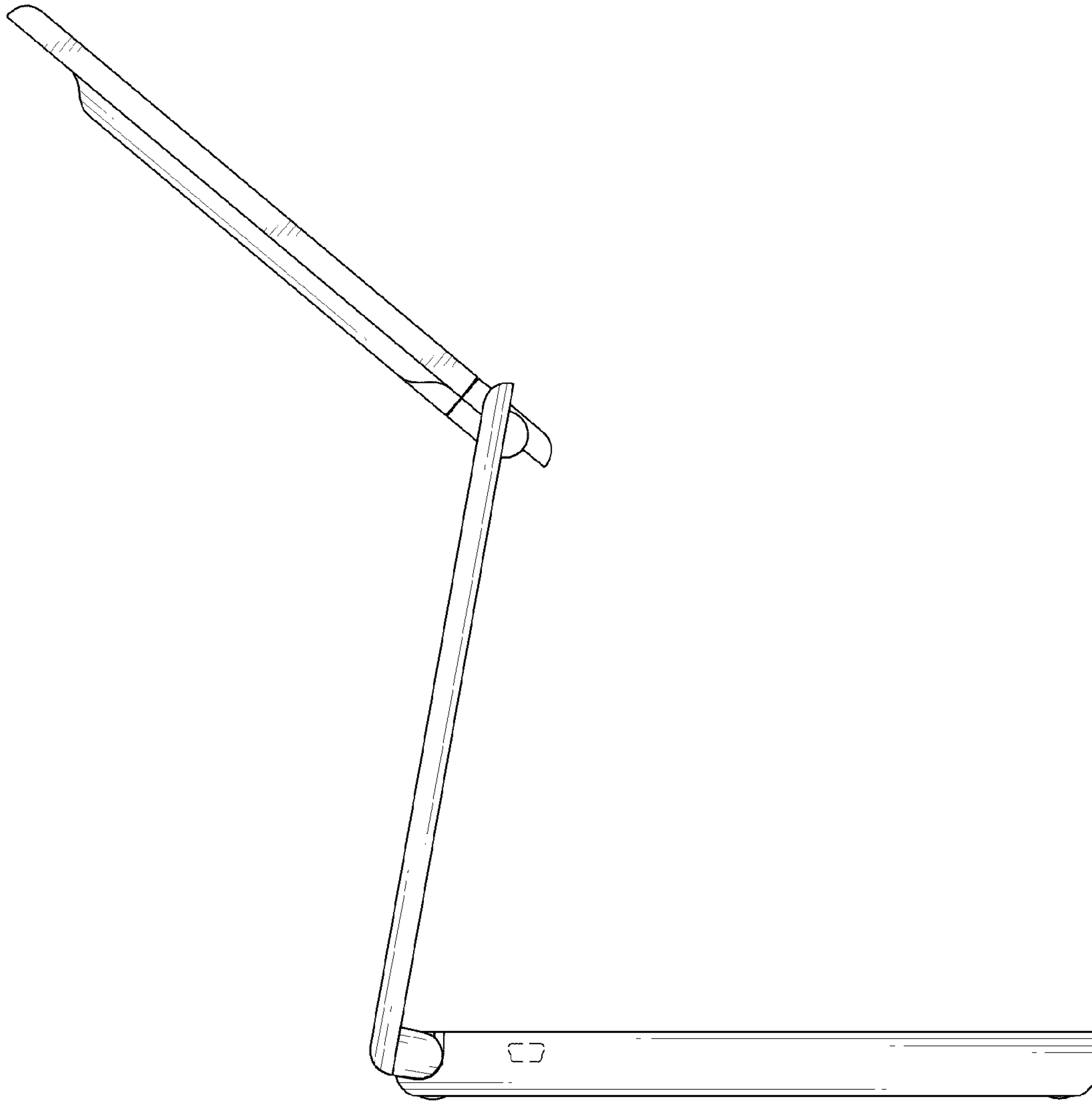


FIG. 5



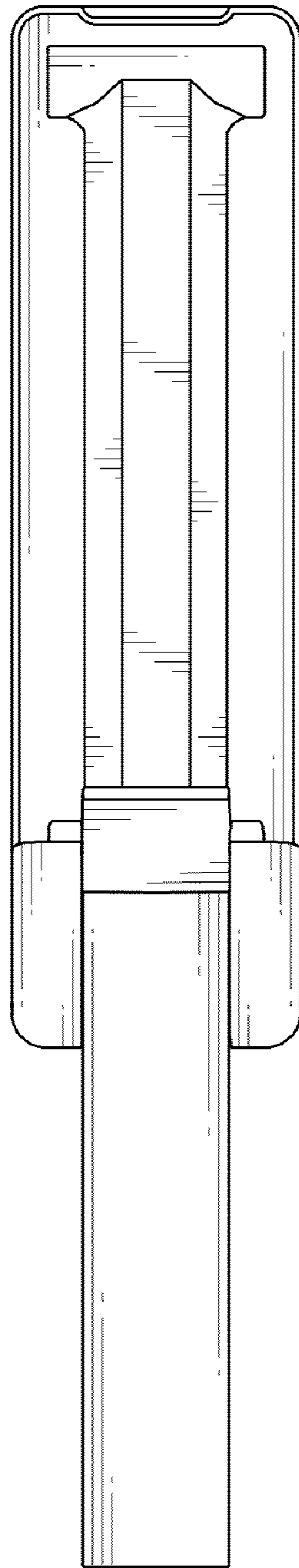


FIG. 6

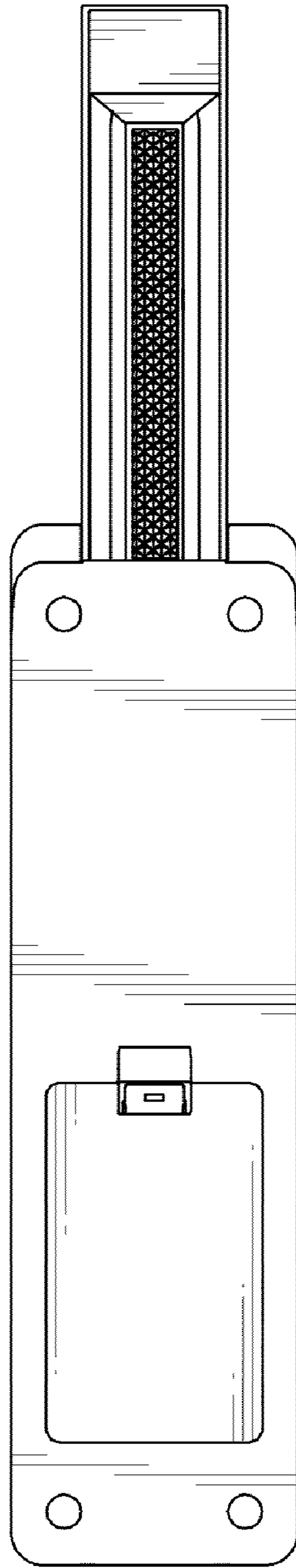


FIG. 7



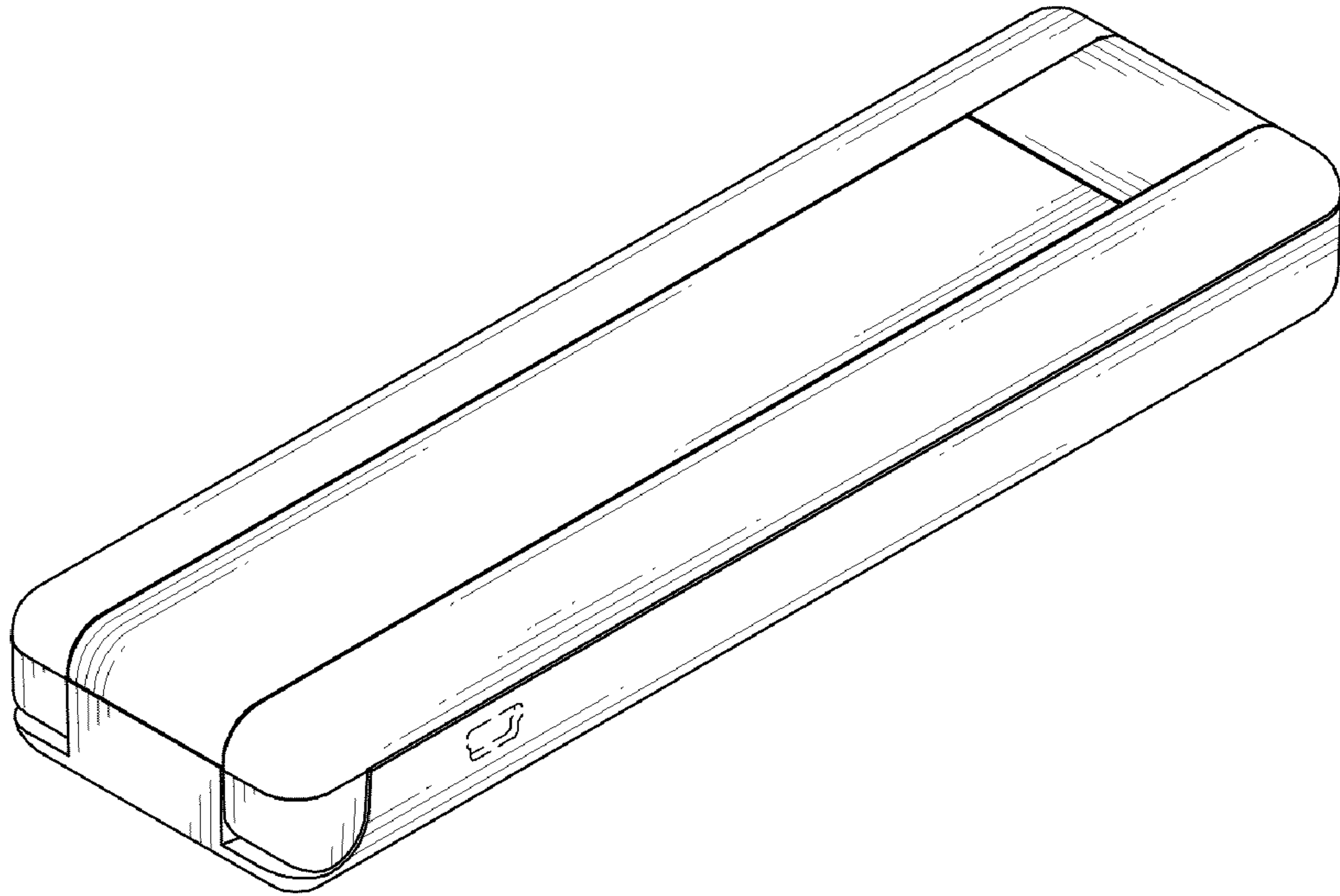


FIG. 8