



US00D649670S

(12) **United States Design Patent**  
**Robinson**

(10) **Patent No.:** **US D649,670 S**

(45) **Date of Patent:** **\*\* \*Nov. 29, 2011**

(54) **FLASHLIGHT**

(75) Inventor: **Glenn Robinson**, Coral Springs, FL  
(US)

(73) Assignee: **IBT Holdings, LLC**, Deerfield Beach,  
FL (US)

(\*) Notice: This patent is subject to a terminal disclaimer.

(\*\*) Term: **14 Years**

(21) Appl. No.: **29/370,962**

(22) Filed: **Sep. 28, 2010**

(51) **LOC (9) Cl.** ..... **26-02**

(52) **U.S. Cl.** ..... **D26/49**

(58) **Field of Classification Search** ..... D26/37,  
D26/46, 49, 38; 362/157, 158, 183, 184,  
362/194-196, 202-208

See application file for complete search history.

(56) **References Cited**

U.S. PATENT DOCUMENTS

D109,758 S *	5/1938	Rothenburg et al.	.....	D26/49
D486,935 S *	2/2004	Shiu	.....	D26/49
D486,937 S *	2/2004	Shiu	.....	D26/49
D493,240 S *	7/2004	To	.....	D26/49

D596,772 S *	7/2009	Chang	.....	D26/49
D606,222 S *	12/2009	Gebhard	.....	D26/49
D608,034 S *	1/2010	Hesse et al.	.....	D26/37
D624,677 S *	9/2010	Deguglimo et al.	.....	D26/49
D629,541 S *	12/2010	Riley	.....	D26/49
D629,543 S *	12/2010	Deguglimo et al.	.....	D26/49

\* cited by examiner

*Primary Examiner* — Ian Simmons

*Assistant Examiner* — Carissa C Fitts

(74) *Attorney, Agent, or Firm* — Dan DeLaRosa

(57) **CLAIM**

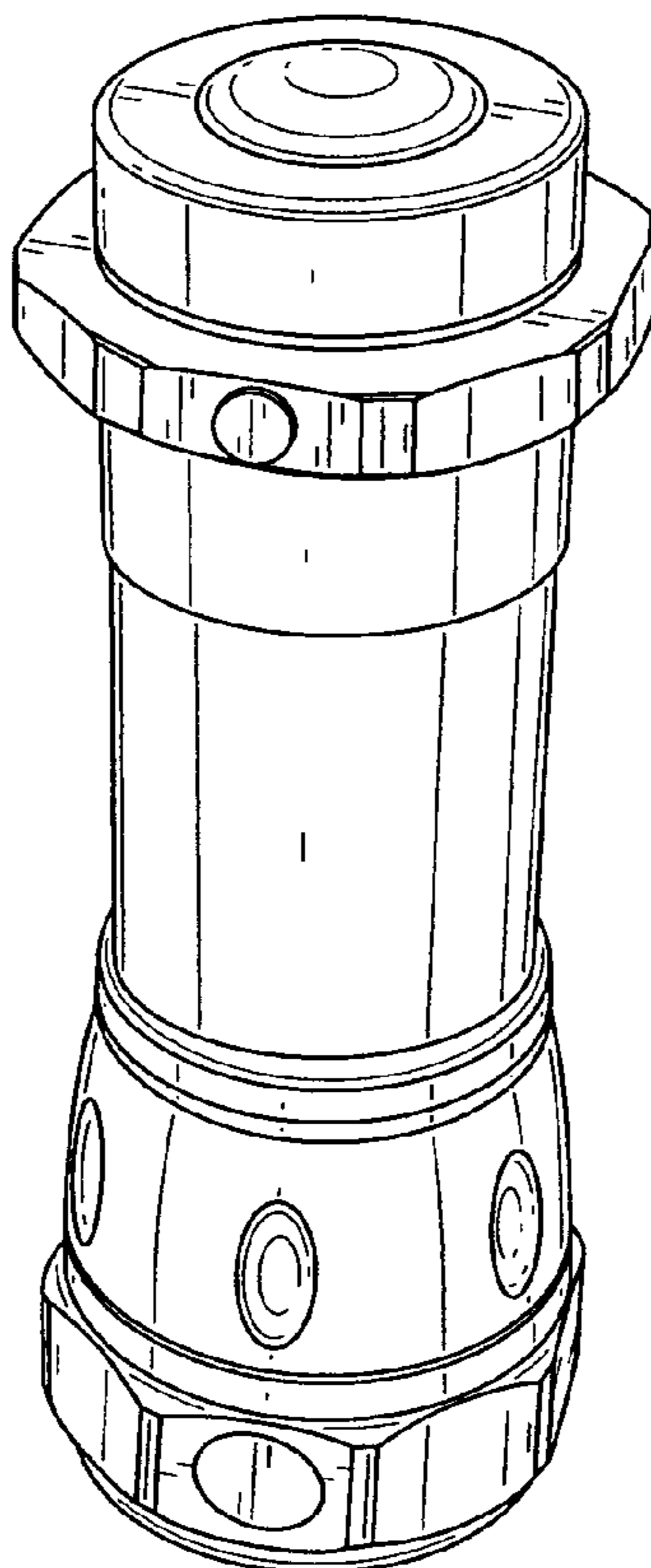
The ornamental design for a flashlight, as shown and described.

**DESCRIPTION**

FIG. 1 is a front perspective view of the flashlight of the present invention showing my new design; FIG. 2 is a front side elevational view thereof; FIG. 3 is a back side elevational view thereof; FIG. 4 is a side elevational view thereof; FIG. 5 is another side elevational view thereof; FIG. 6 is a top plan view thereof; and, FIG. 7 is a bottom plan view thereof.

The broken lines shown in the drawings illustrate unclaimed environments and form no part of the claimed design.

**1 Claim, 4 Drawing Sheets**



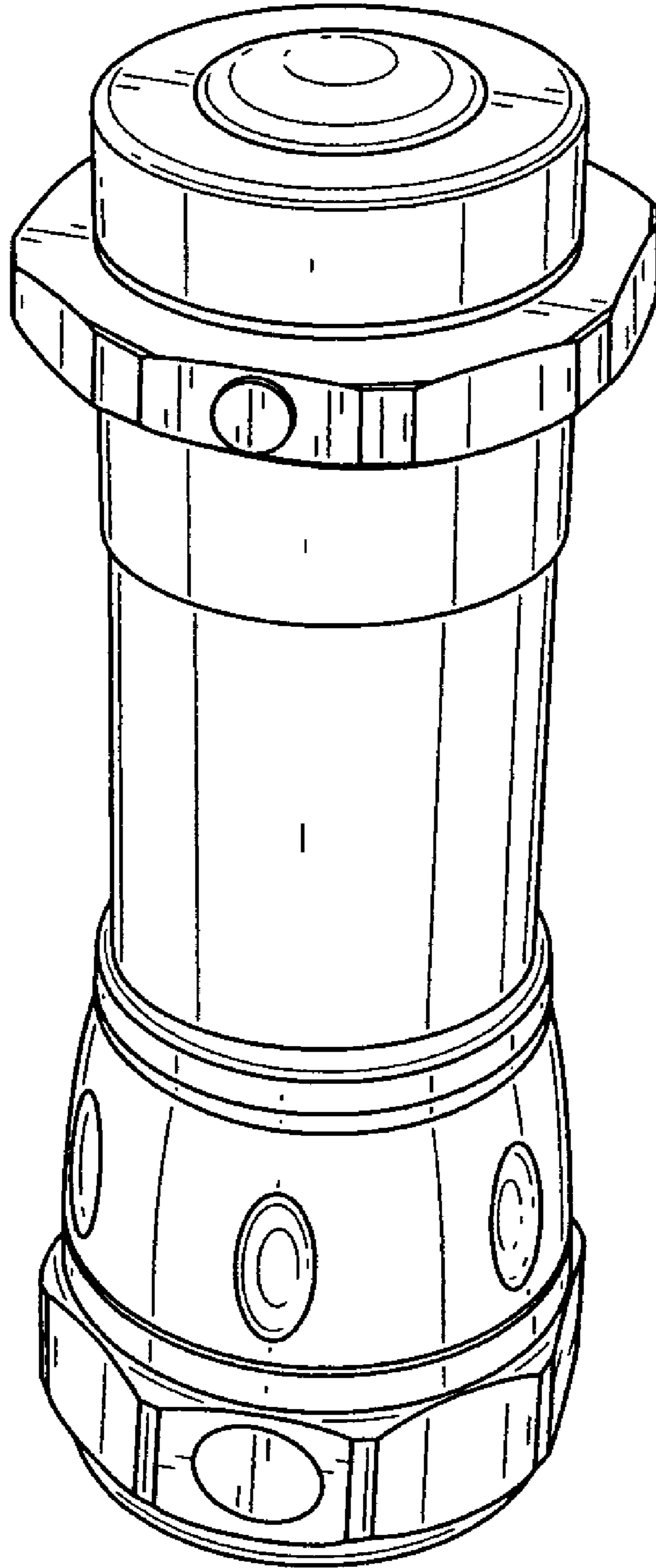


FIG. 1

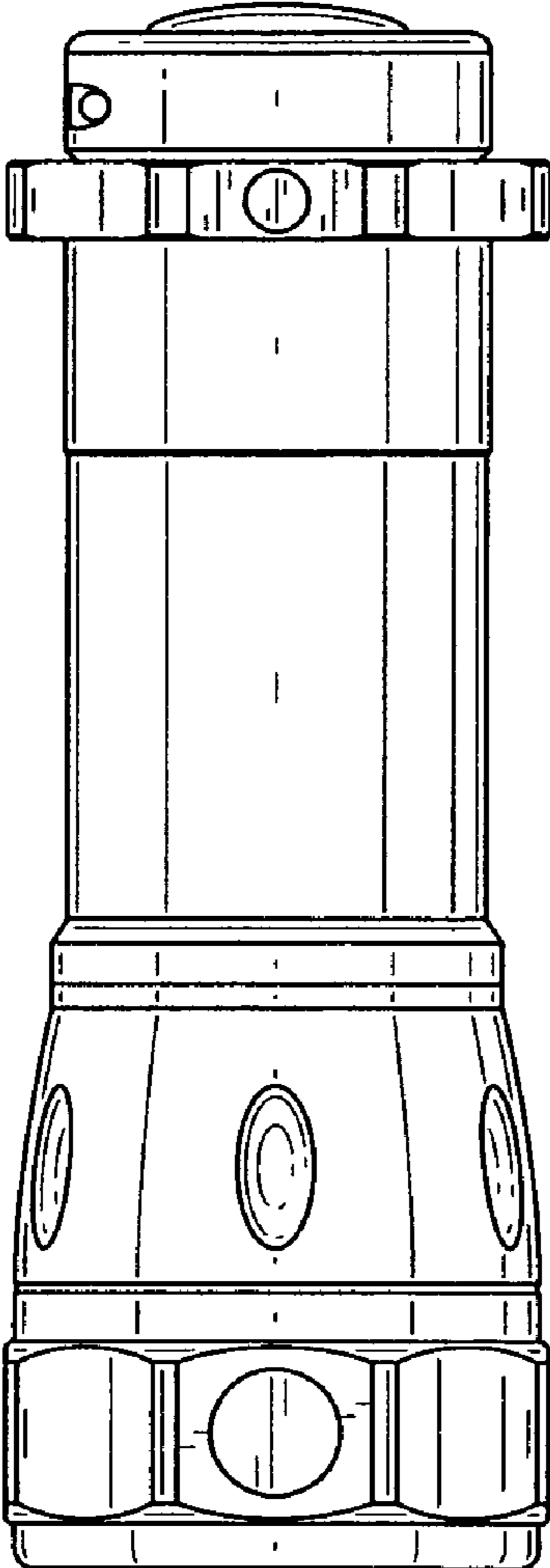


FIG. 2

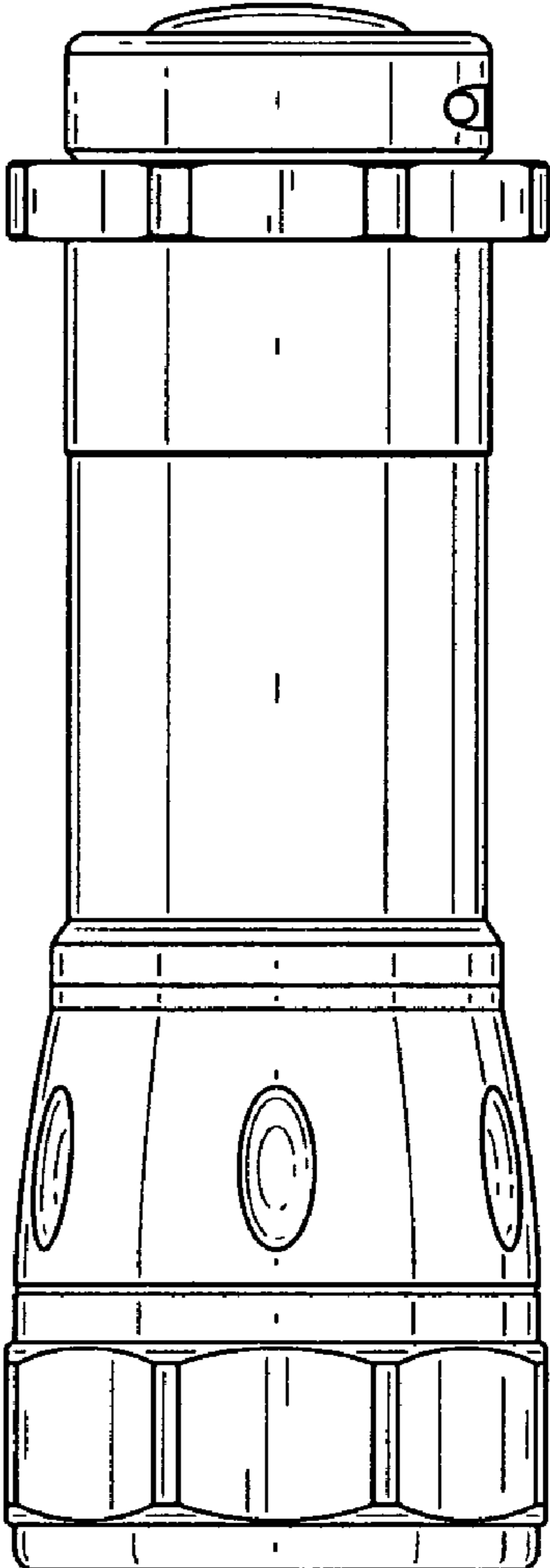


FIG. 3

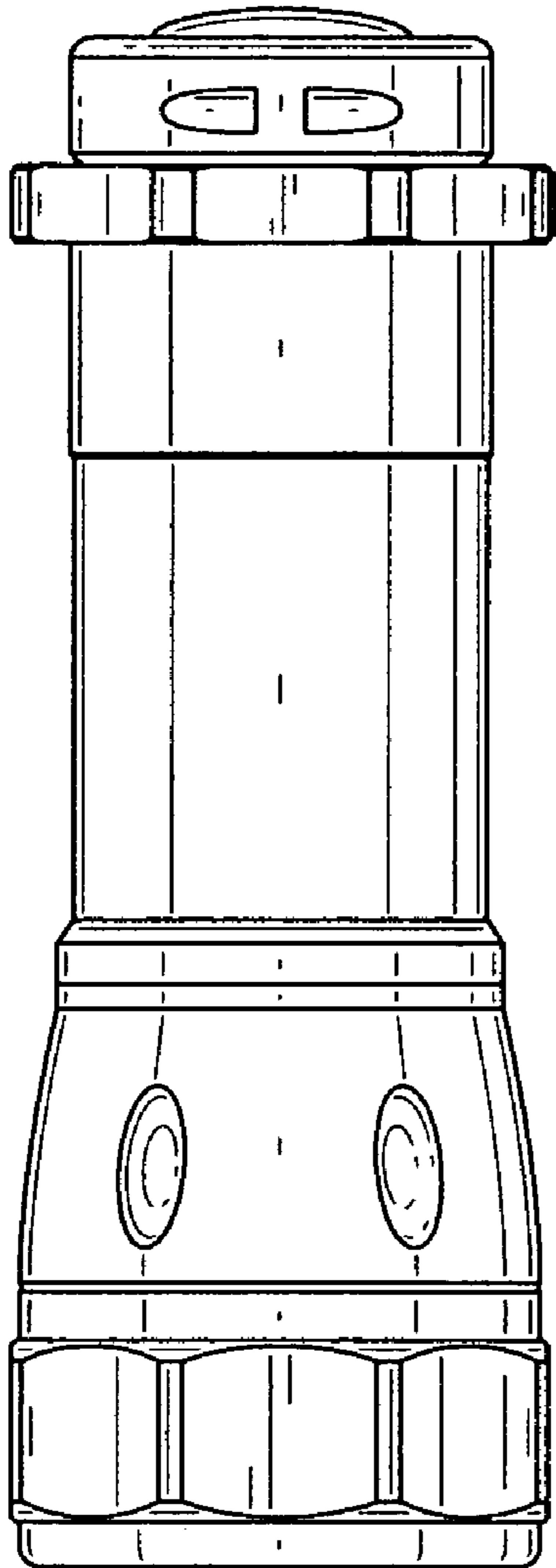


FIG. 4

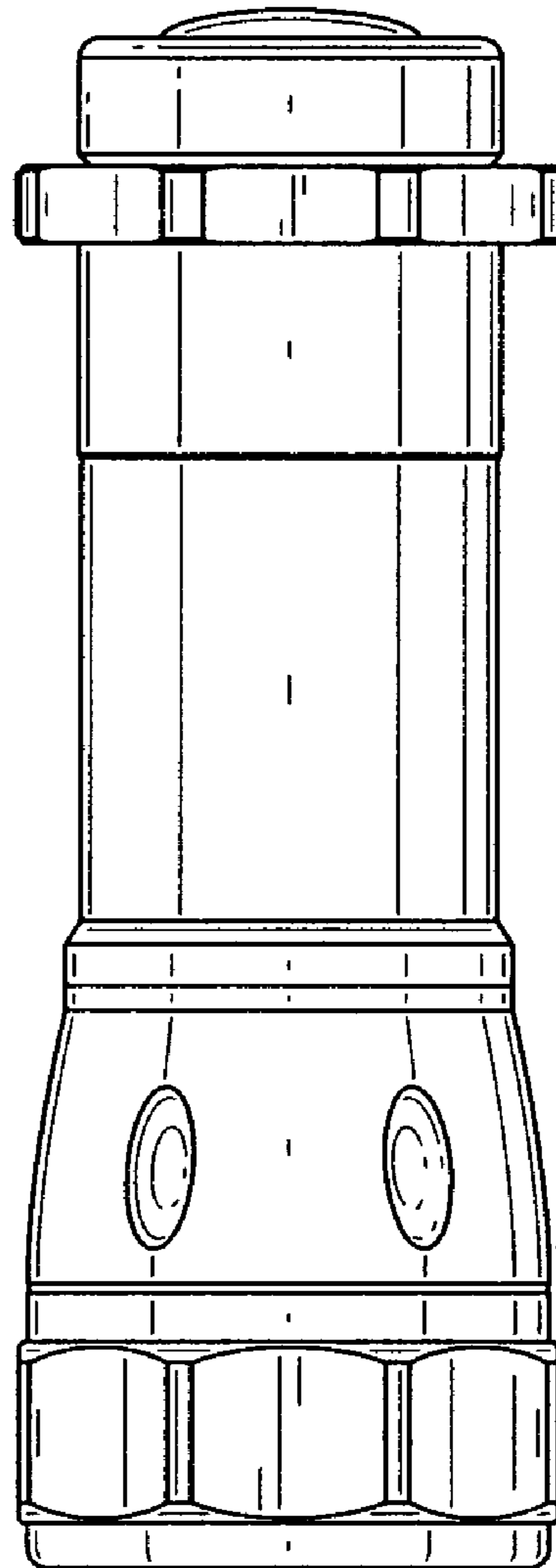


FIG. 5

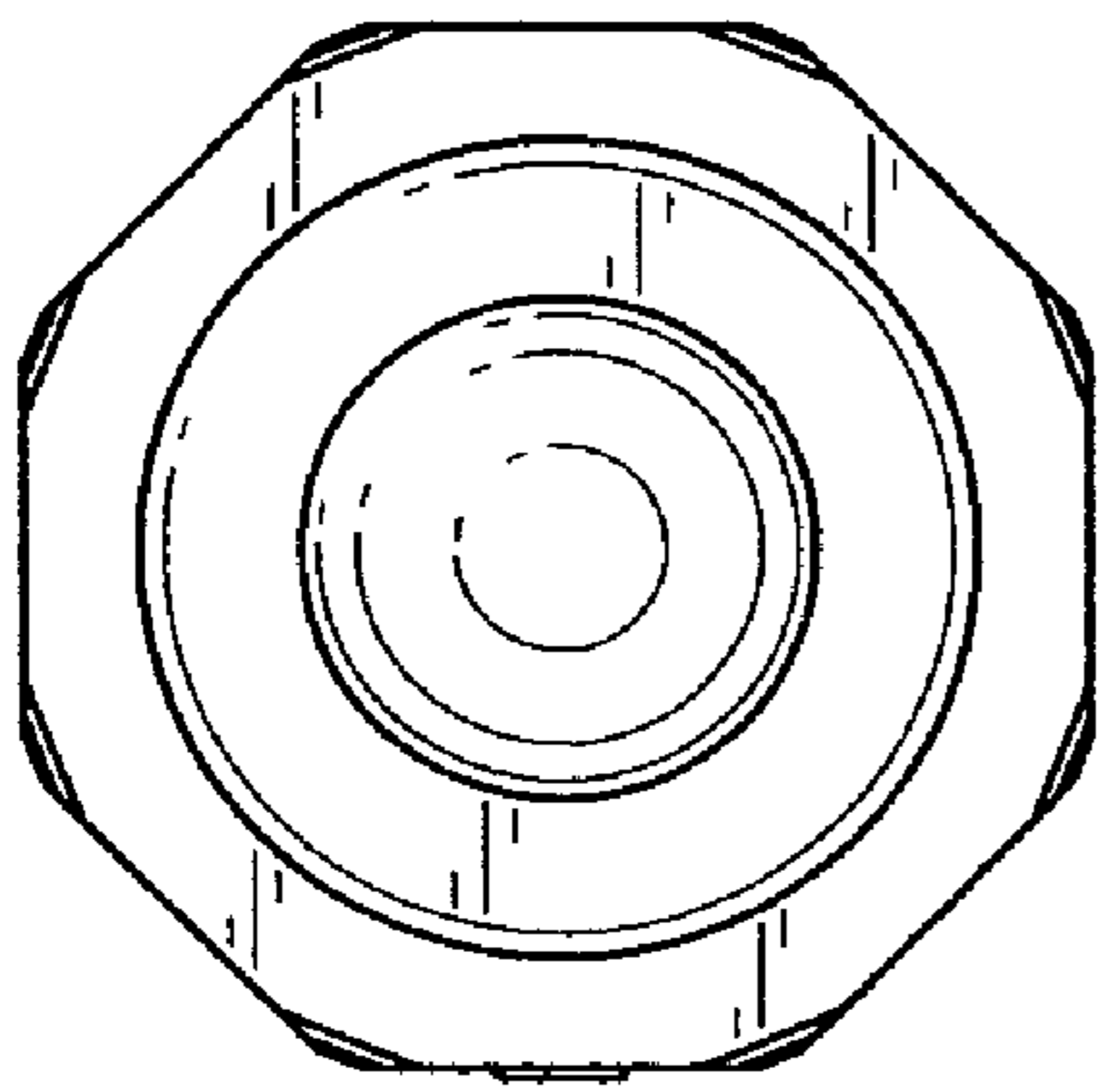


FIG. 6

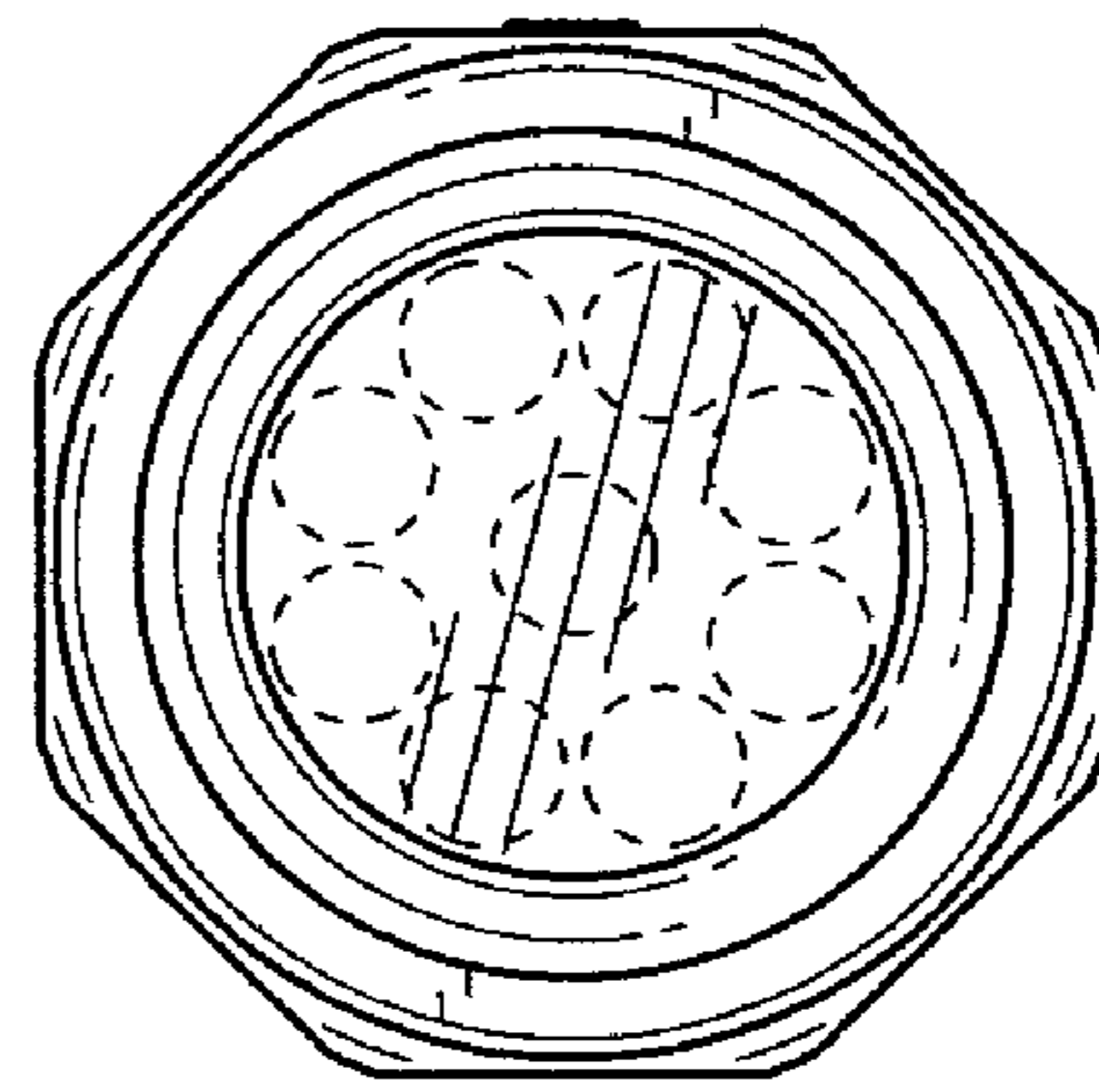


FIG. 7