

US00D649668S

(12) **United States Design Patent**  
**Cristoforo**

(10) **Patent No.:** **US D649,668 S**

(45) **Date of Patent:** **\*\* Nov. 29, 2011**

- (54) **EAR HOOK WITH ADJUSTABLE BOOM MOUNTED LIGHT**
- (75) Inventor: **Michael Cristoforo**, Palm City, FL (US)
- (73) Assignee: **Sight Saver, LLC**, Stuart, FL (US)
- (\*\*) Term: **14 Years**
- (21) Appl. No.: **29/338,460**
- (22) Filed: **Jun. 11, 2009**

- D591,439 S \* 4/2009 Cristoforo ..... D26/39
- D595,273 S \* 6/2009 Kim et al. .... D14/223
- D599,046 S \* 8/2009 Cristoforo ..... D26/39
- D609,376 S \* 2/2010 Cristoforo et al. .... D26/38
- D614,172 S \* 4/2010 Brennwald ..... D14/223
- D618,668 S \* 6/2010 Dunlap ..... D14/223
- D619,285 S \* 7/2010 Cristoforo ..... D26/60

\* cited by examiner

*Primary Examiner* — Ian Simmons

*Assistant Examiner* — Carissa C Fitts

(74) *Attorney, Agent, or Firm* — McHale & Slavin, P.A.

**Related U.S. Application Data**

- (63) Continuation of application No. 29/329,542, filed on Dec. 17, 2008, now Pat. No. Des. 599,046.
  - (51) **LOC (9) Cl.** ..... **26-02**
  - (52) **U.S. Cl.** ..... **D26/39; D26/38**
  - (58) **Field of Classification Search** ..... D26/39, D26/38, 51; 362/103–106, 253; D14/223, D14/205, 206
- See application file for complete search history.

(57) **CLAIM**

The ornamental design for an ear hook with adjustable boom mounted light, as shown and described.

**DESCRIPTION**

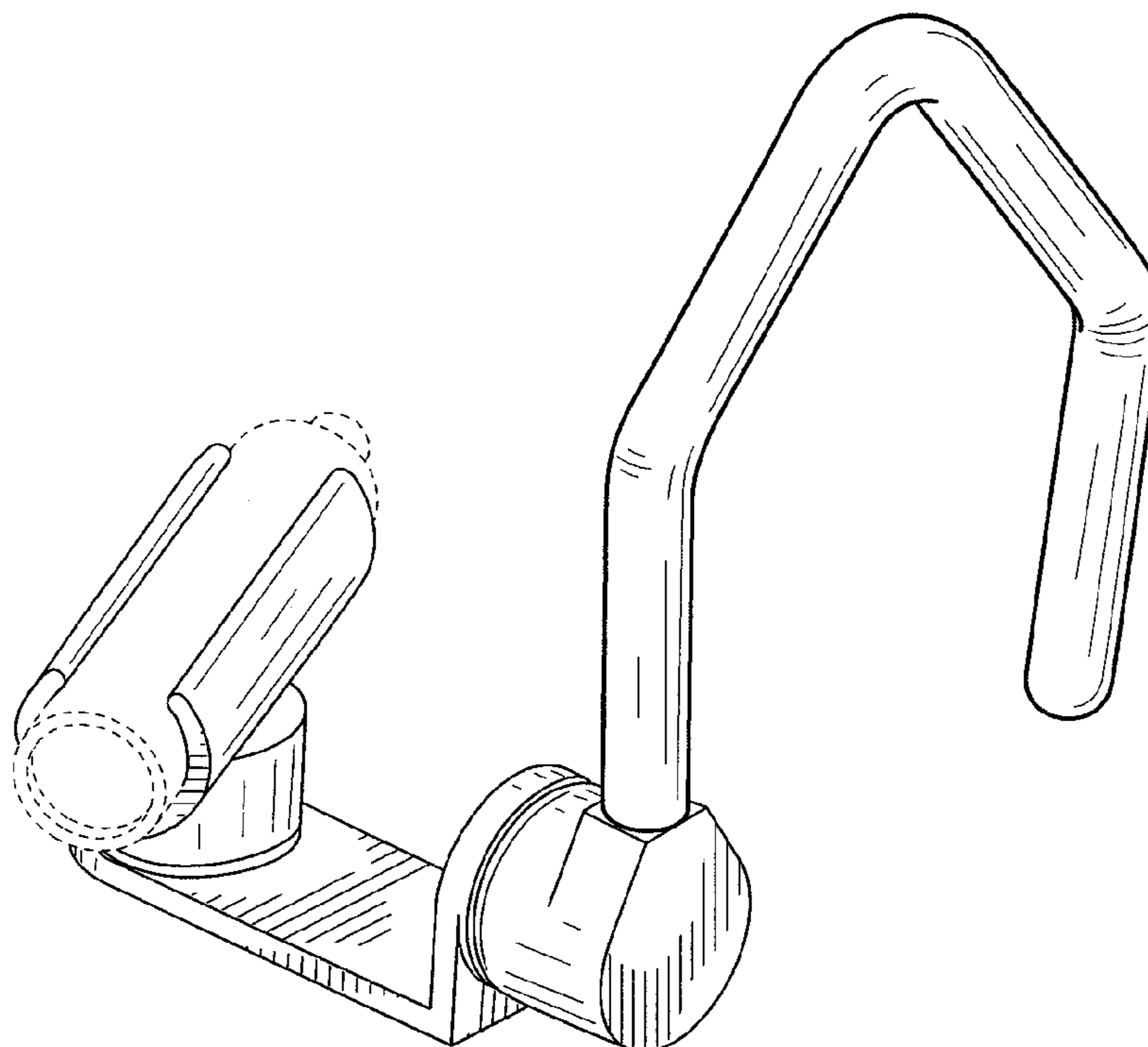
FIG. 1 is a perspective view of the ear hook with adjustable boom mounted light of the instant invention;  
 FIG. 2 is a front view thereof;  
 FIG. 3 is a rear view thereof;  
 FIG. 4 is a left side view thereof;  
 FIG. 5 is a right side view thereof;  
 FIG. 6 is a top view thereof;  
 FIG. 7 is a bottom view thereof; and,  
 FIG. 8 is a perspective view illustrating the instant invention positioned around the ear of an individual;  
 The portions of figures illustrated in broken lines are for environmental purposes only and form no part of the claimed design.

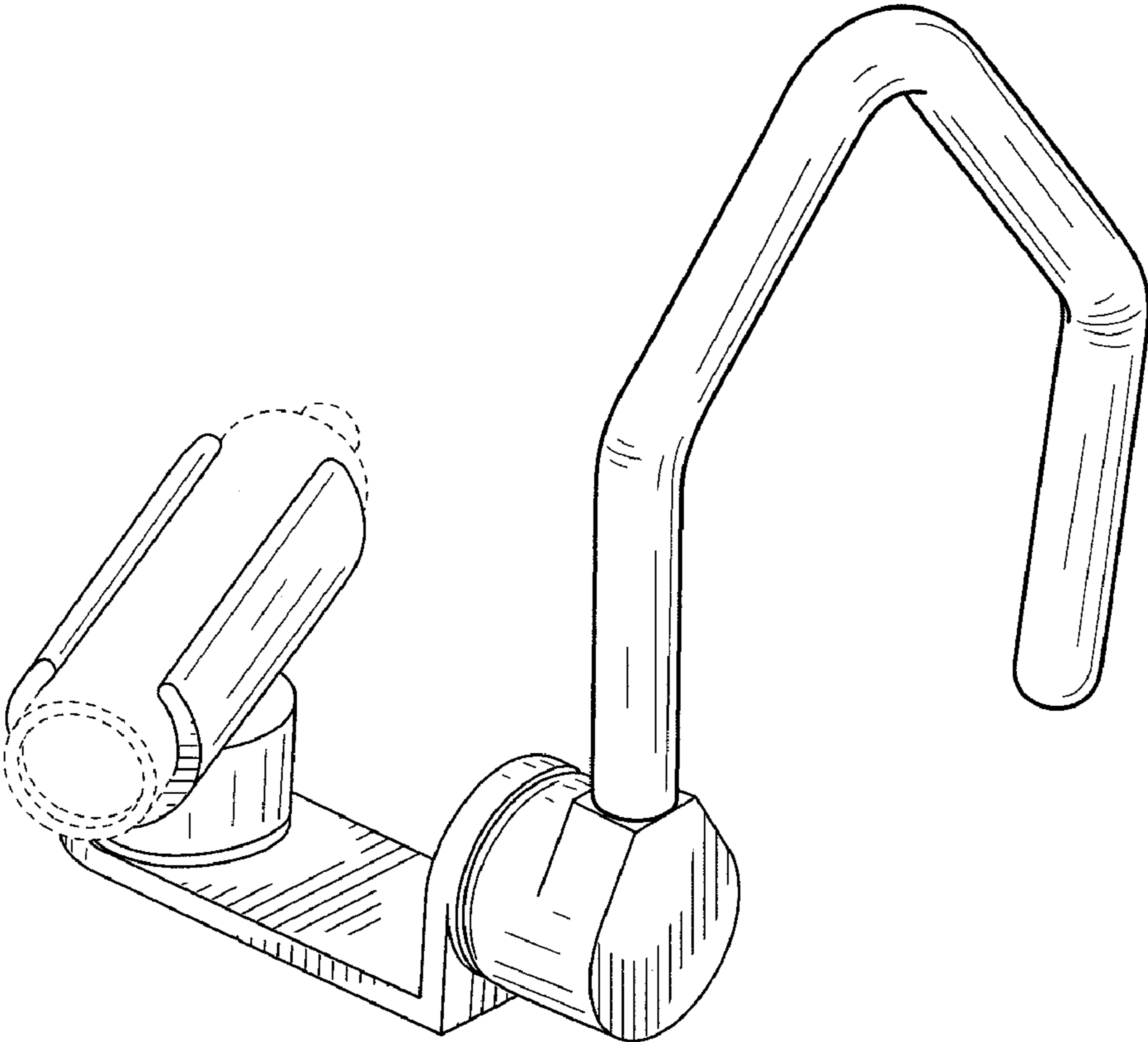
(56) **References Cited**

**U.S. PATENT DOCUMENTS**

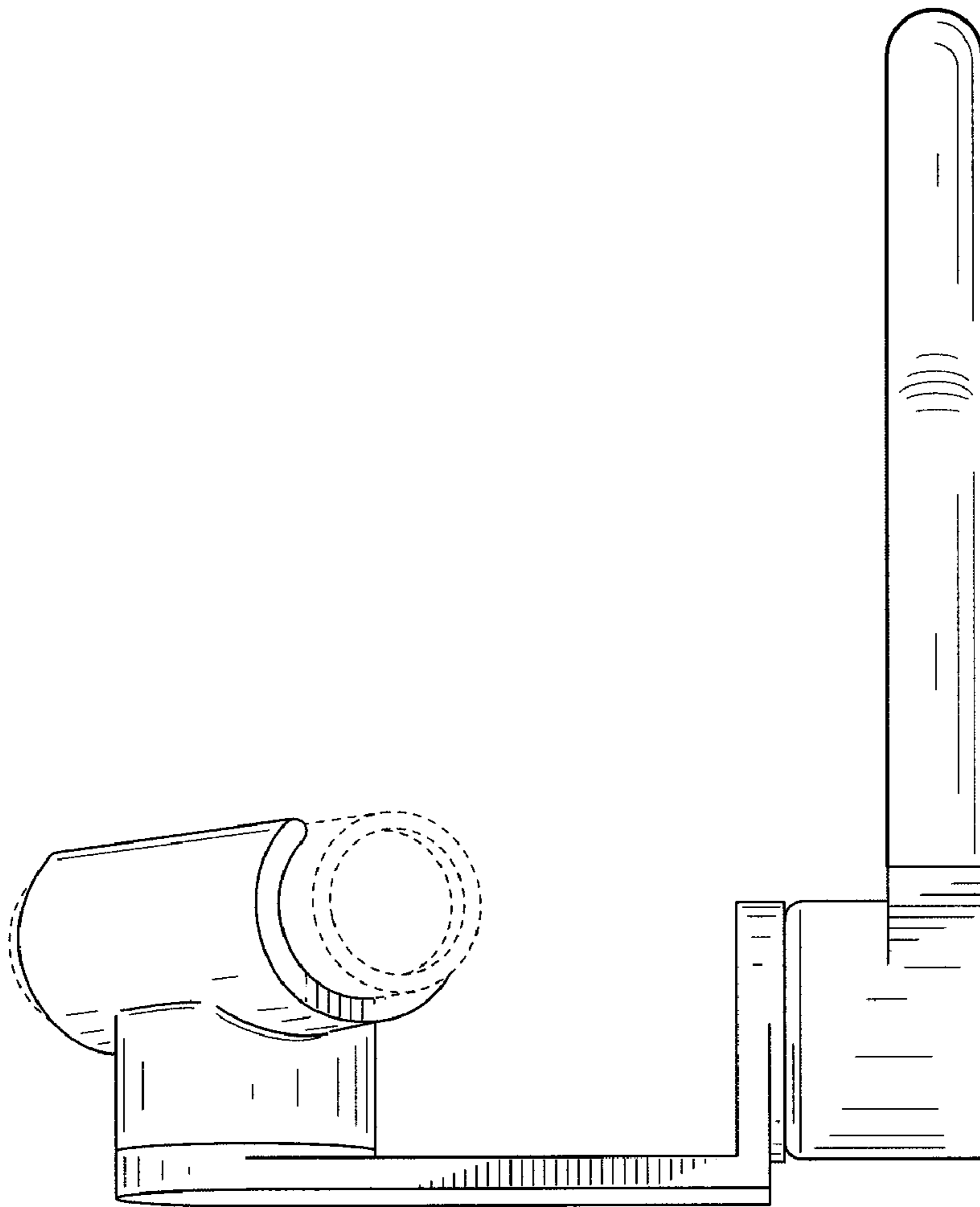
- D179,151 S \* 11/1956 Norris ..... D14/192
- D286,203 S \* 10/1986 Crane et al. .... D26/39
- D353,012 S \* 11/1994 Mihavetz ..... D26/39
- D371,214 S \* 6/1996 Terry, Sr. .... D26/49
- D405,203 S \* 2/1999 Tobianski ..... D26/60
- D415,301 S \* 10/1999 Stacy et al. .... D26/63
- D494,296 S \* 8/2004 Shiu ..... D26/39
- D579,924 S \* 11/2008 Sade et al. .... D14/223

**1 Claim, 8 Drawing Sheets**





**FIG. 1**



**FIG. 2**

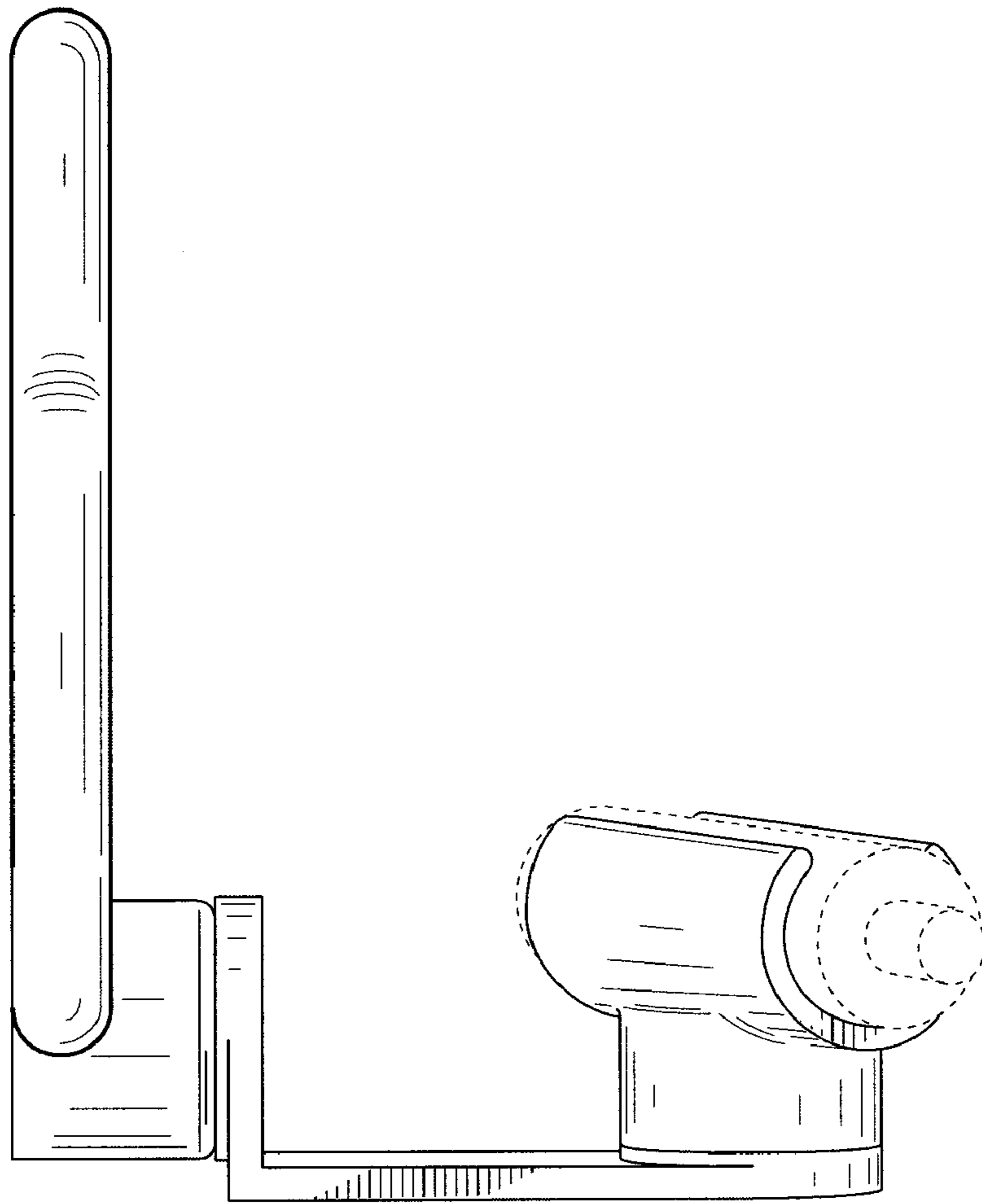


FIG. 3

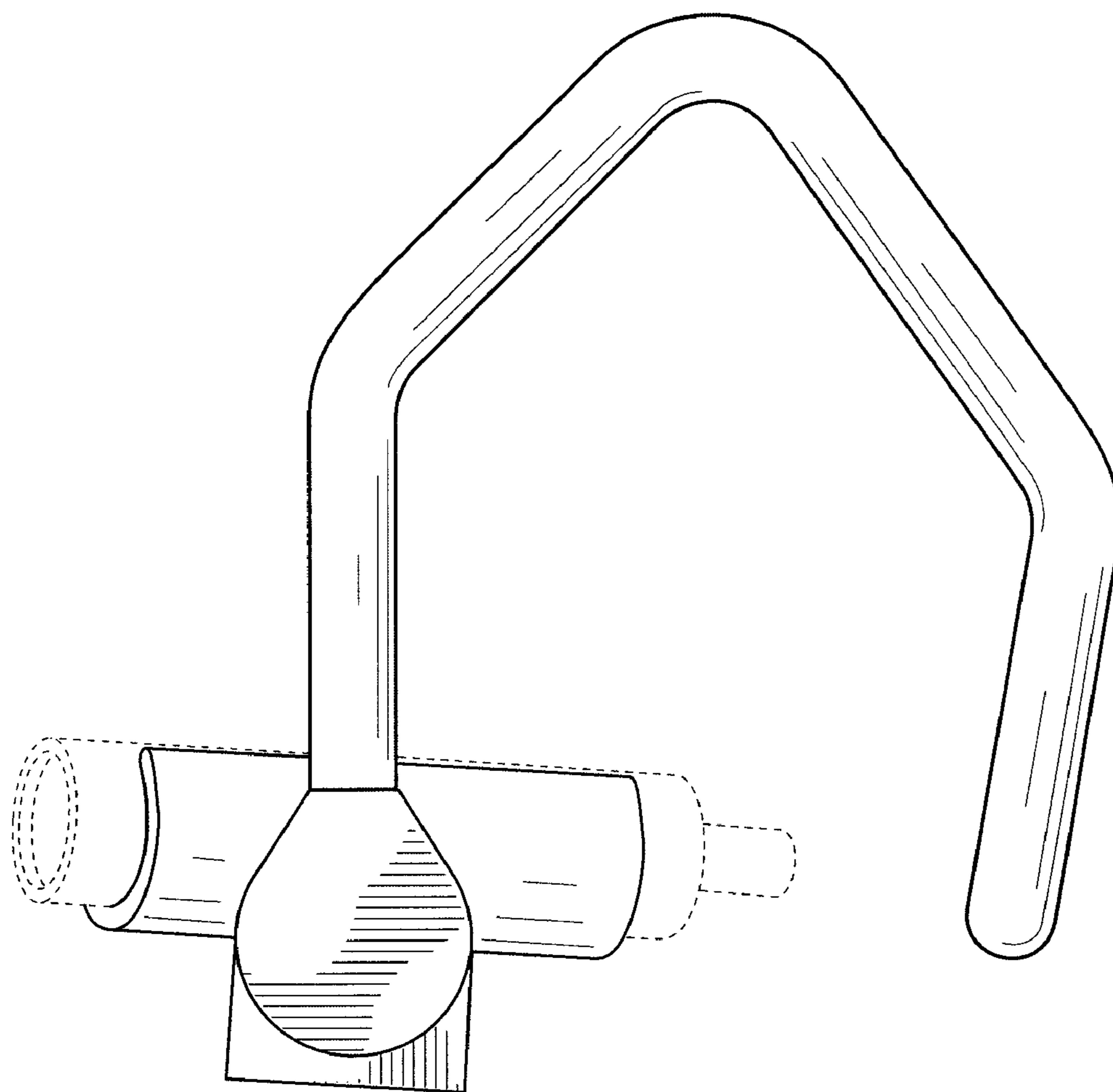


FIG. 4

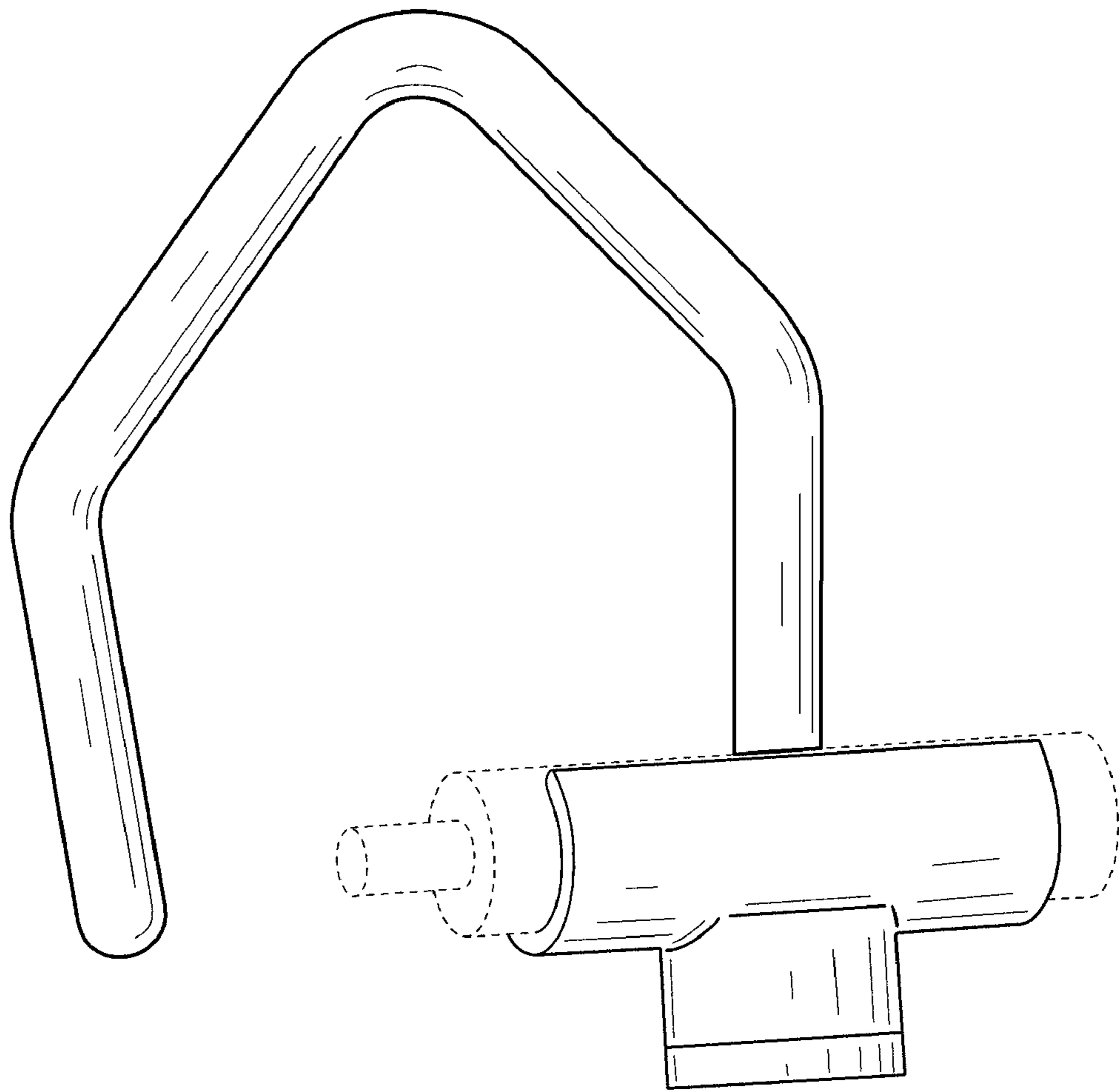


FIG. 5

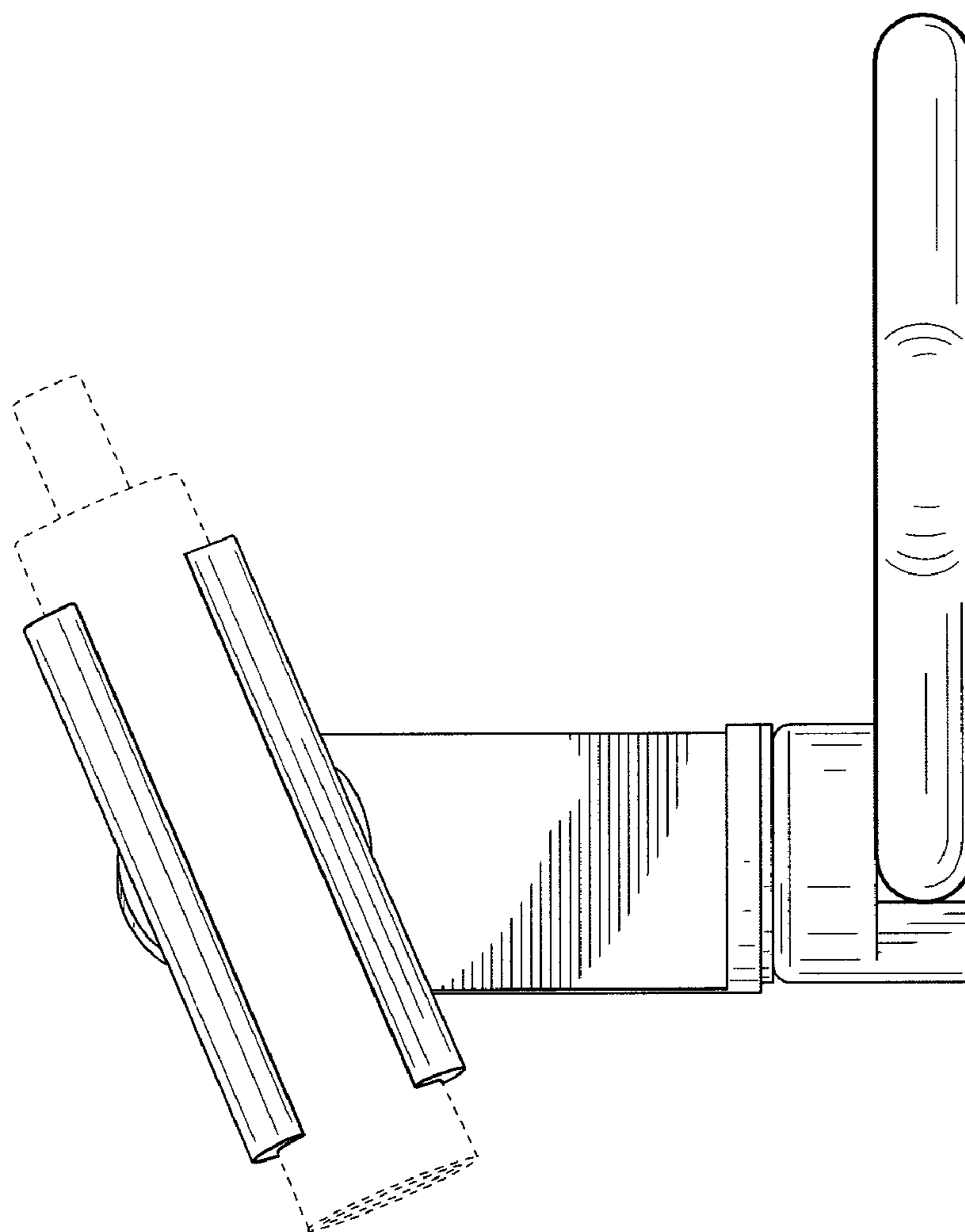
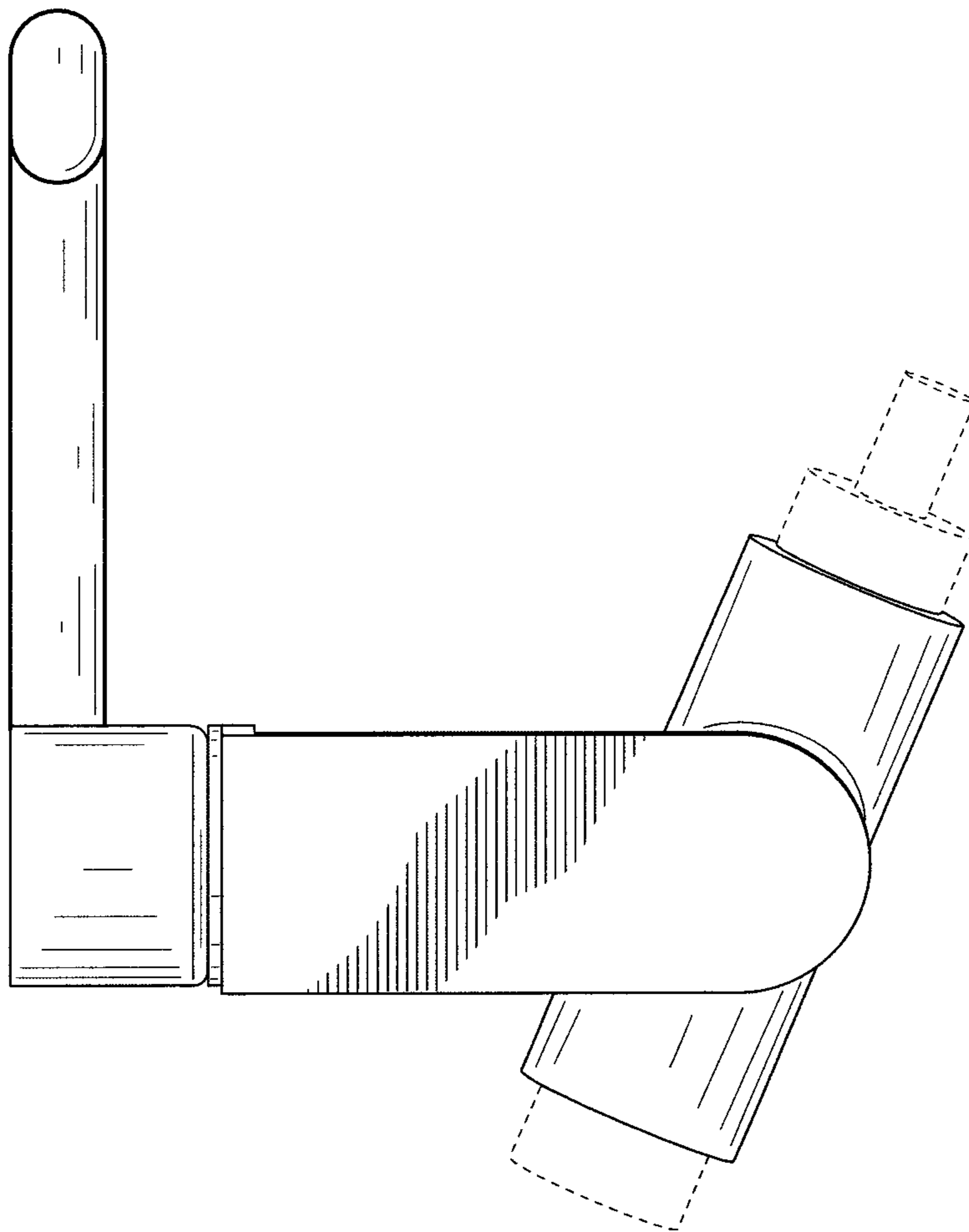


FIG. 6



**FIG. 7**



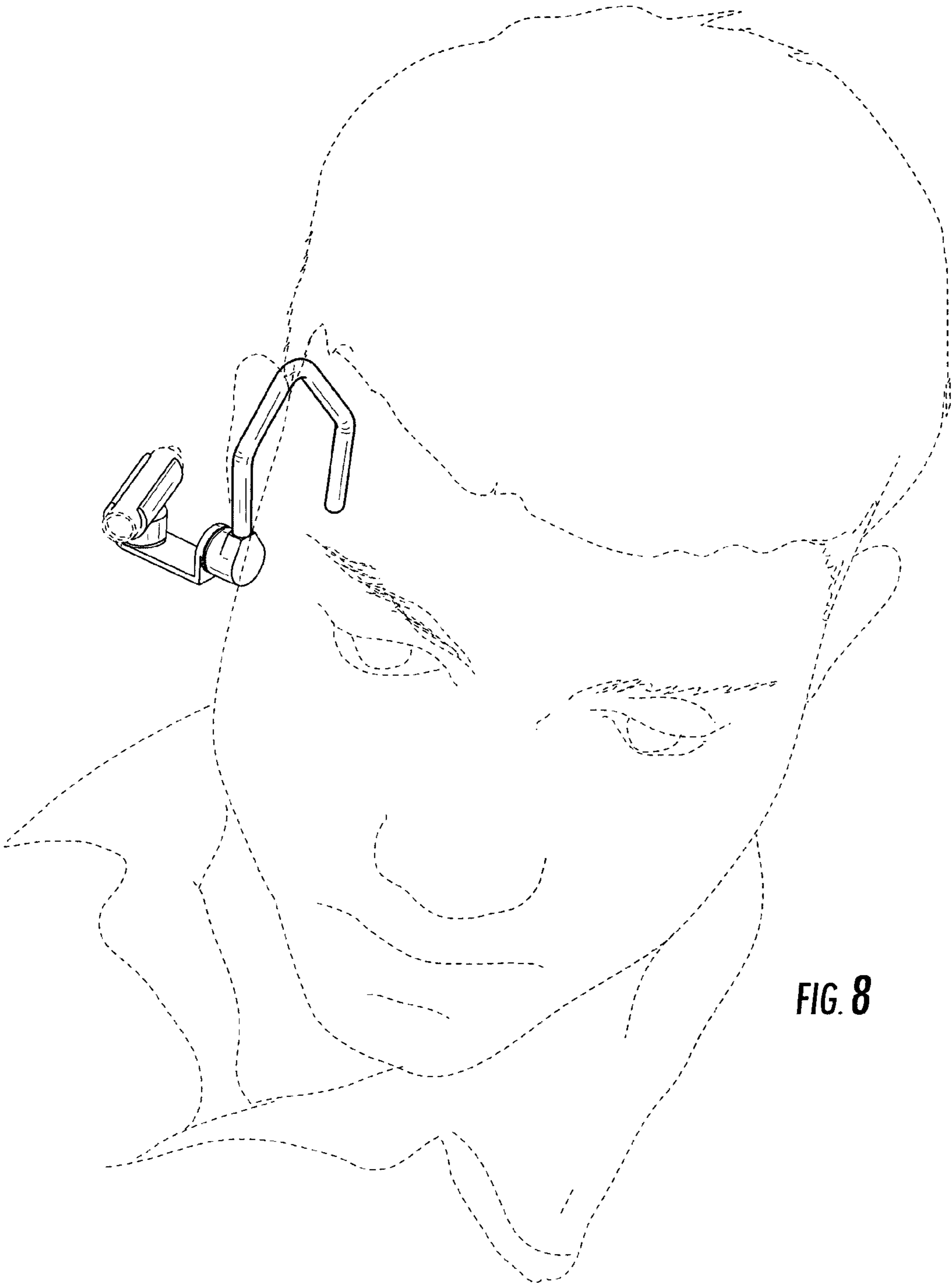


FIG. 8