

US00D649665S

(12) **United States Design Patent**
Beregszaszi et al.

(10) **Patent No.:** **US D649,665 S**
(45) **Date of Patent:** **** Nov. 29, 2011**

(54) **PAR LAMP**

D623,777 S * 9/2010 Moon et al. D26/2
D631,569 S * 1/2011 Bobel D26/2
D631,571 S * 1/2011 Bobel D26/2

(75) Inventors: **Andrew Howard Beregszaszi**,
Philadelphia, NJ (US); **Edward Ernest**
Bailey, Westampton, NJ (US)

* cited by examiner

Primary Examiner — Marcus Jackson

(73) Assignee: **Illumination Machines**, Mount Laurel,
NJ (US)

(57) **CLAIM**
The ornamental design for a PAR lamp, as shown and
described.

(**) Term: **14 Years**

DESCRIPTION

(21) Appl. No.: **29/389,963**

FIG. 1 is a perspective view of the front left side of a PAR
lamp;

(22) Filed: **Apr. 19, 2011**

FIG. 2 is a plan view of the front of the PAR lamp of FIG. 1;

(51) **LOC (9) Cl.** **26-04**

FIG. 3 is a plan view of the left side of the PAR lamp of FIG.
1;

(52) **U.S. Cl.** **D26/2**

FIG. 4 is a plan view of the right side of the PAR lamp of FIG.
1;

(58) **Field of Classification Search** D26/1-4;
313/313, 315, 316, 317, 318, 493; 315/52,
315/53, 56, 57, 58

FIG. 5 is a plan view of the top of the PAR lamp of FIG. 1;
FIG. 6 is a plan view of the back of the PAR lamp of FIG. 1;
and,

See application file for complete search history.

FIG. 7 is a plan view of the bottom of the PAR lamp of FIG.
1.

The broken lines are for illustrative purposes only, and their
presence and position form no part of the claimed design.

(56) **References Cited**

U.S. PATENT DOCUMENTS

D610,274 S * 2/2010 Cho D26/2
D610,722 S * 2/2010 Bi D26/2

1 Claim, 7 Drawing Sheets

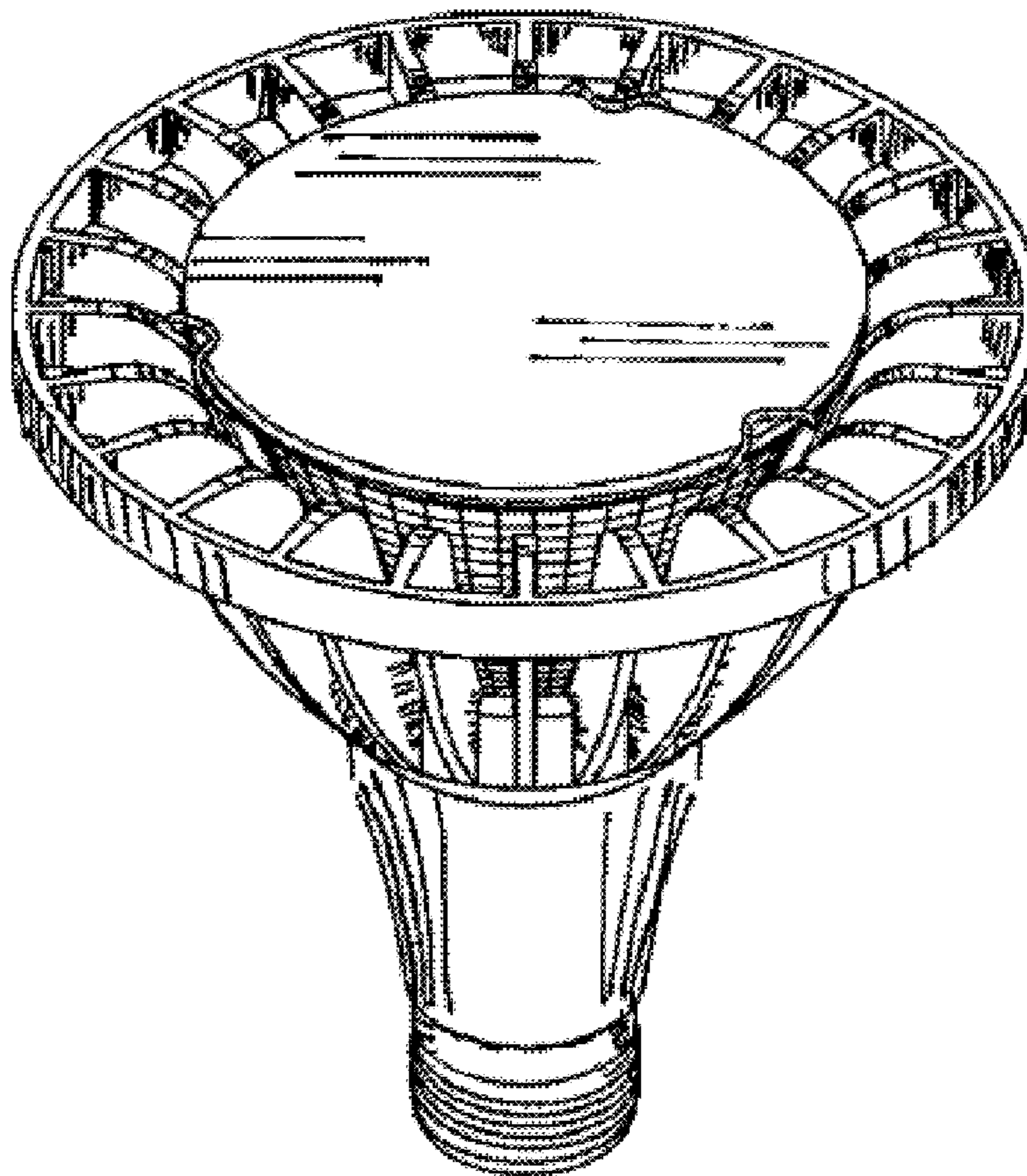


FIGURE 1

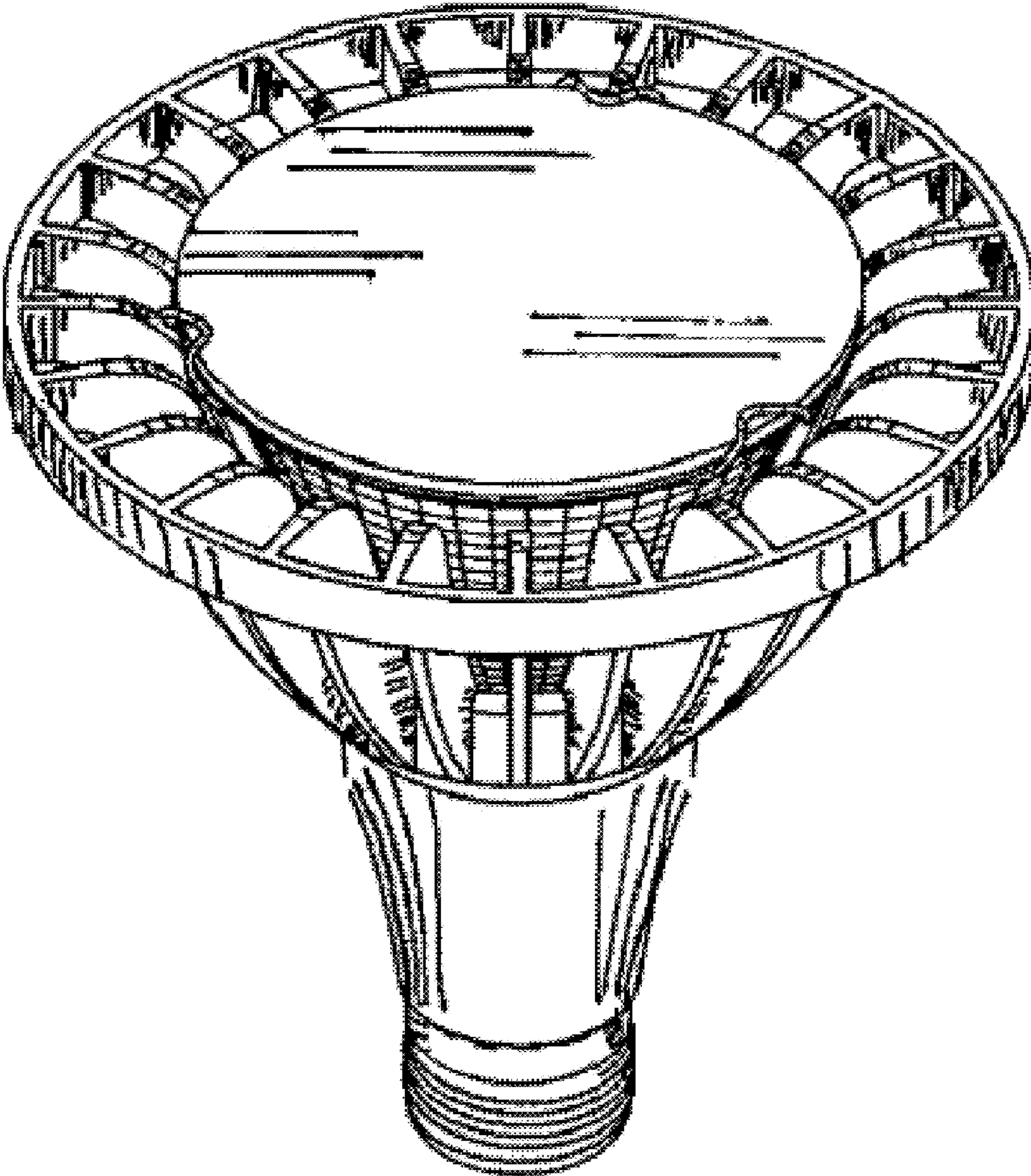


FIGURE 2

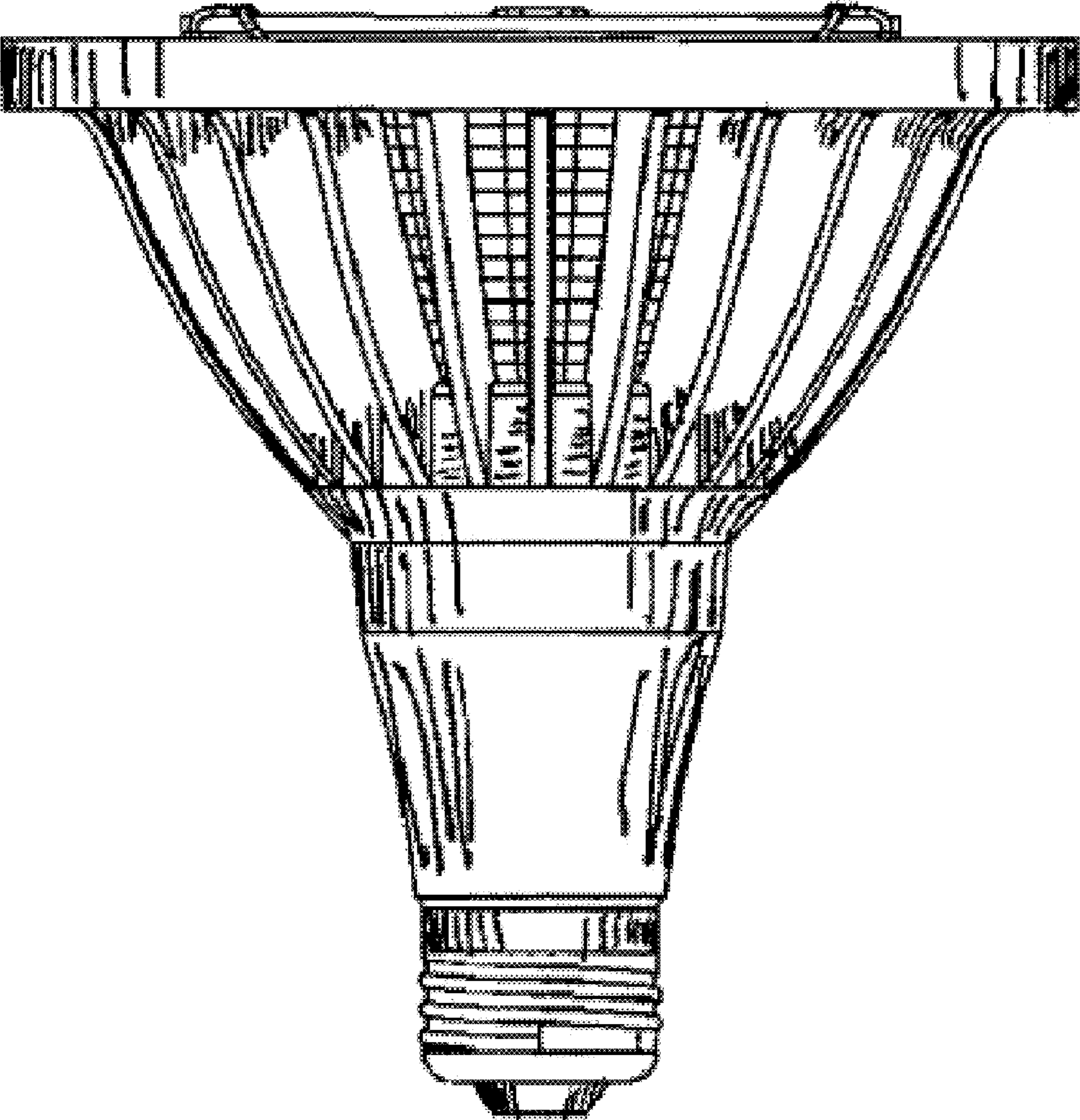


FIGURE 3

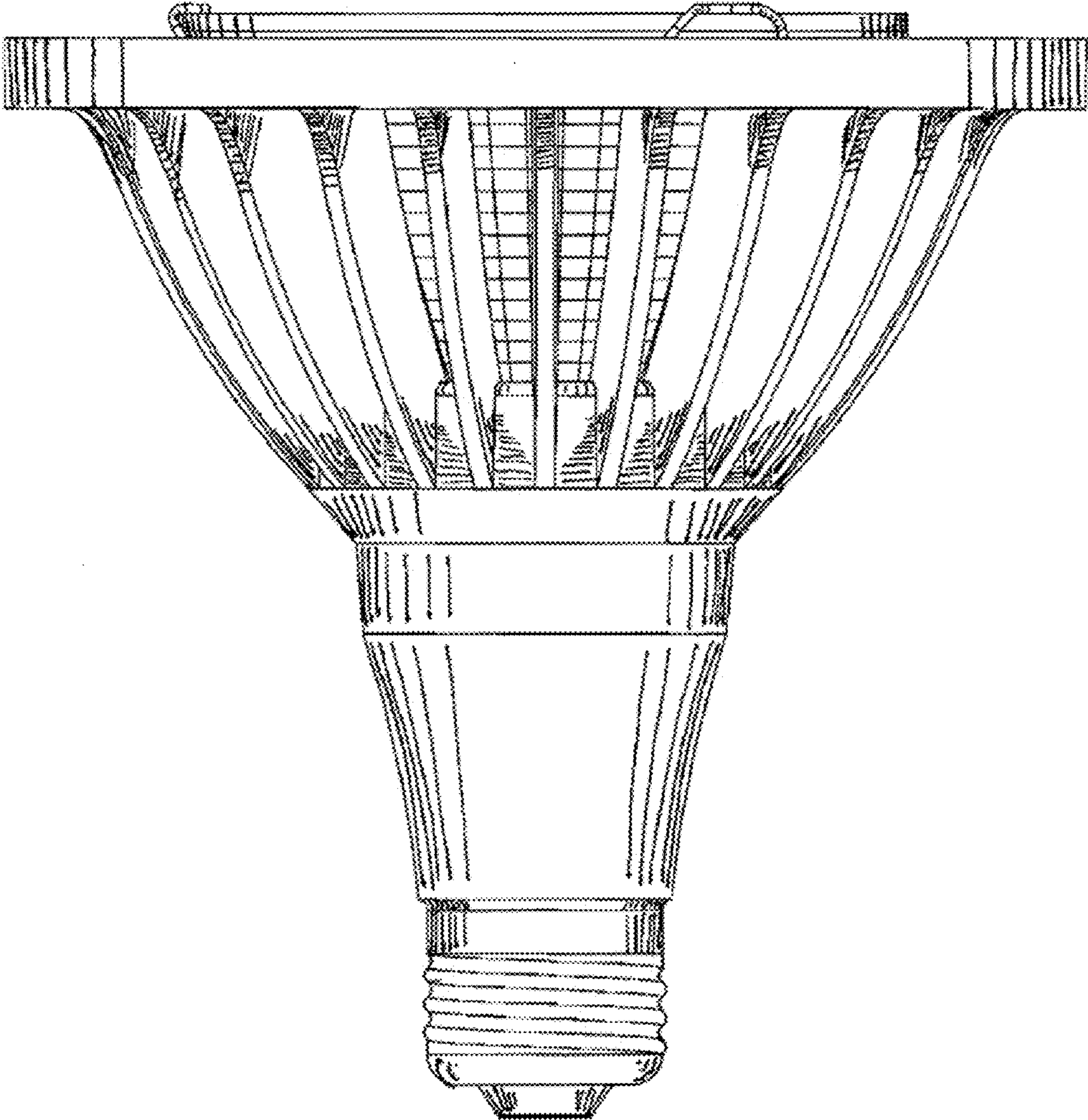


FIGURE 4

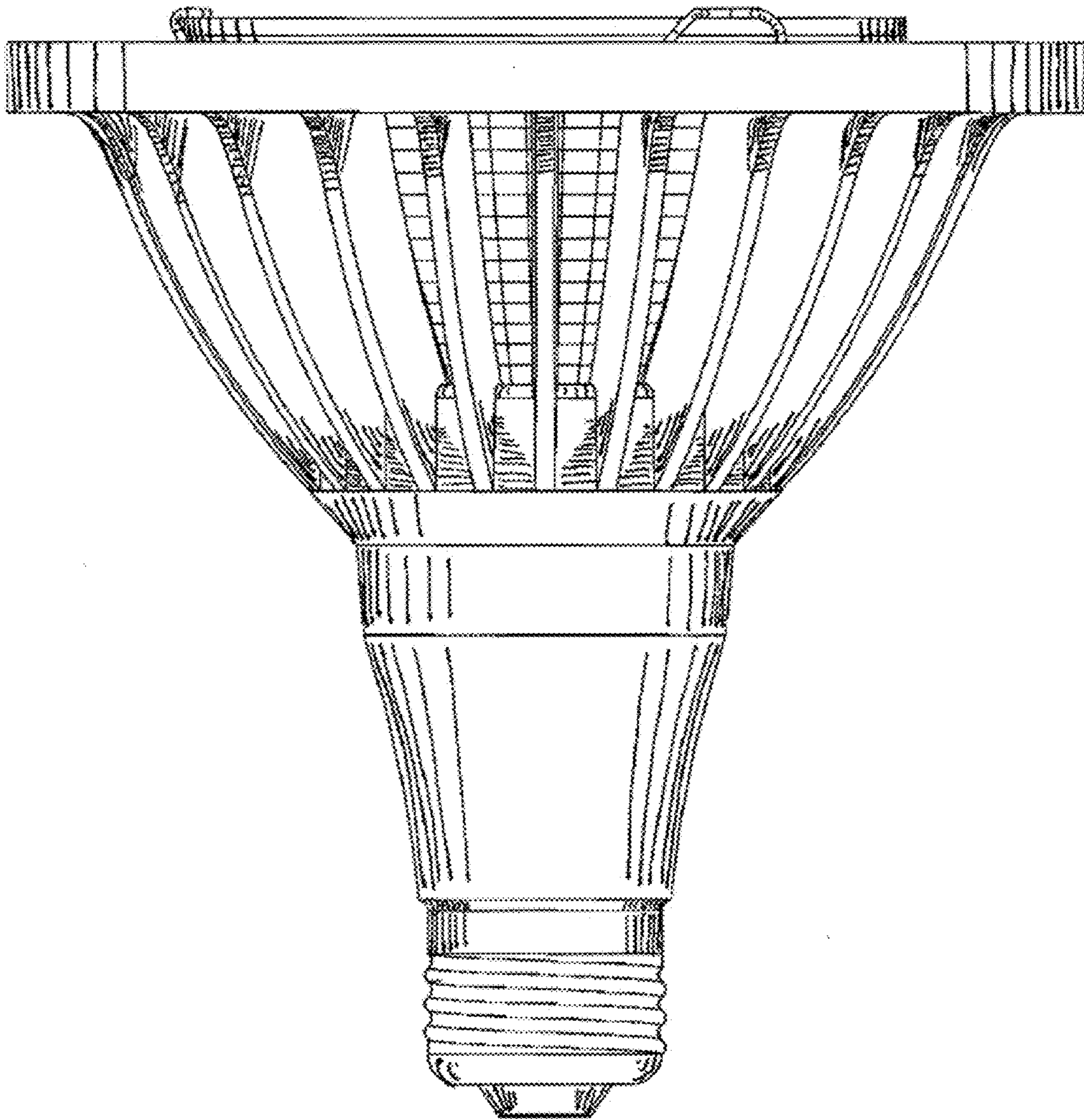


FIGURE 5

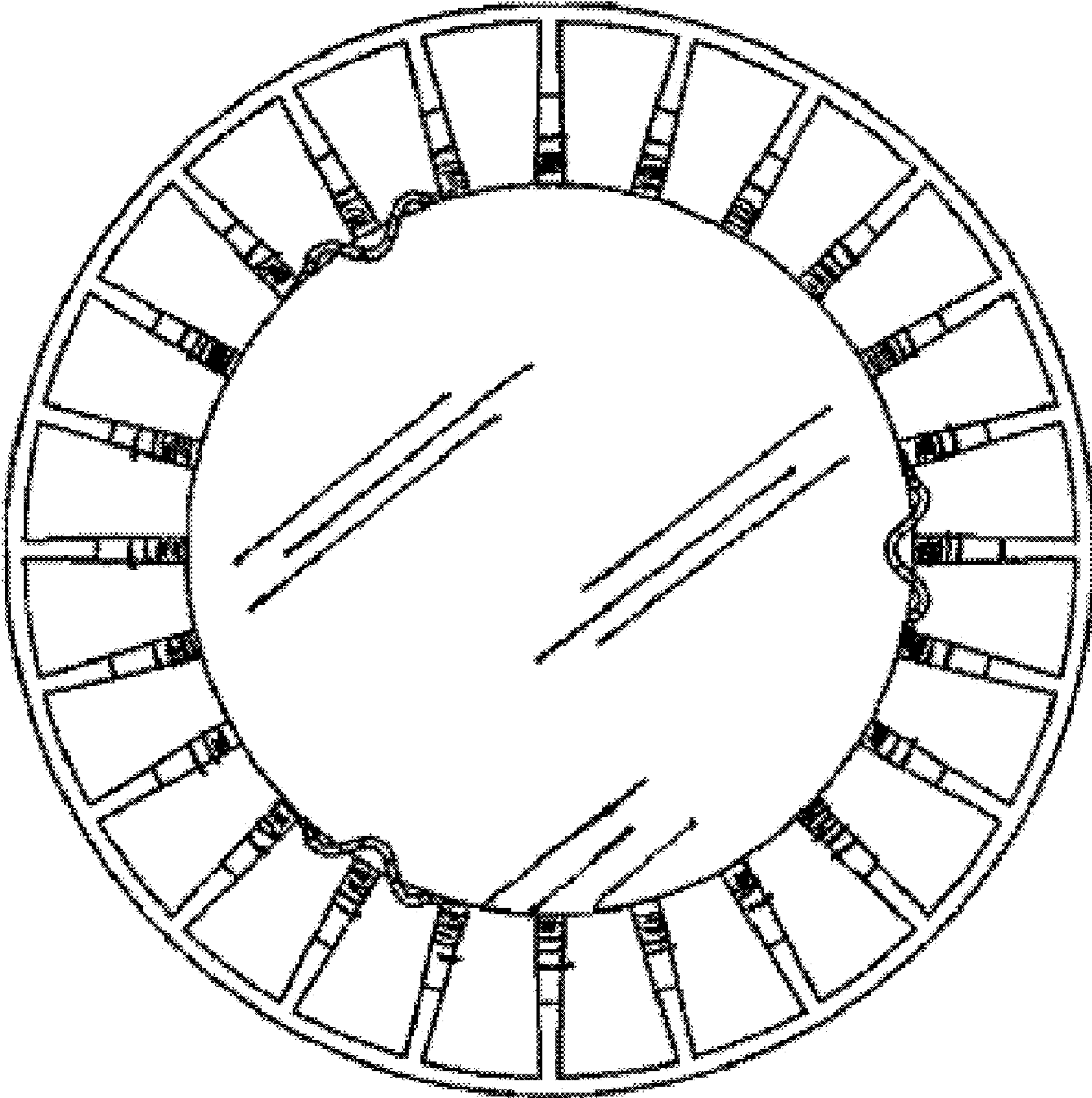


FIGURE 6

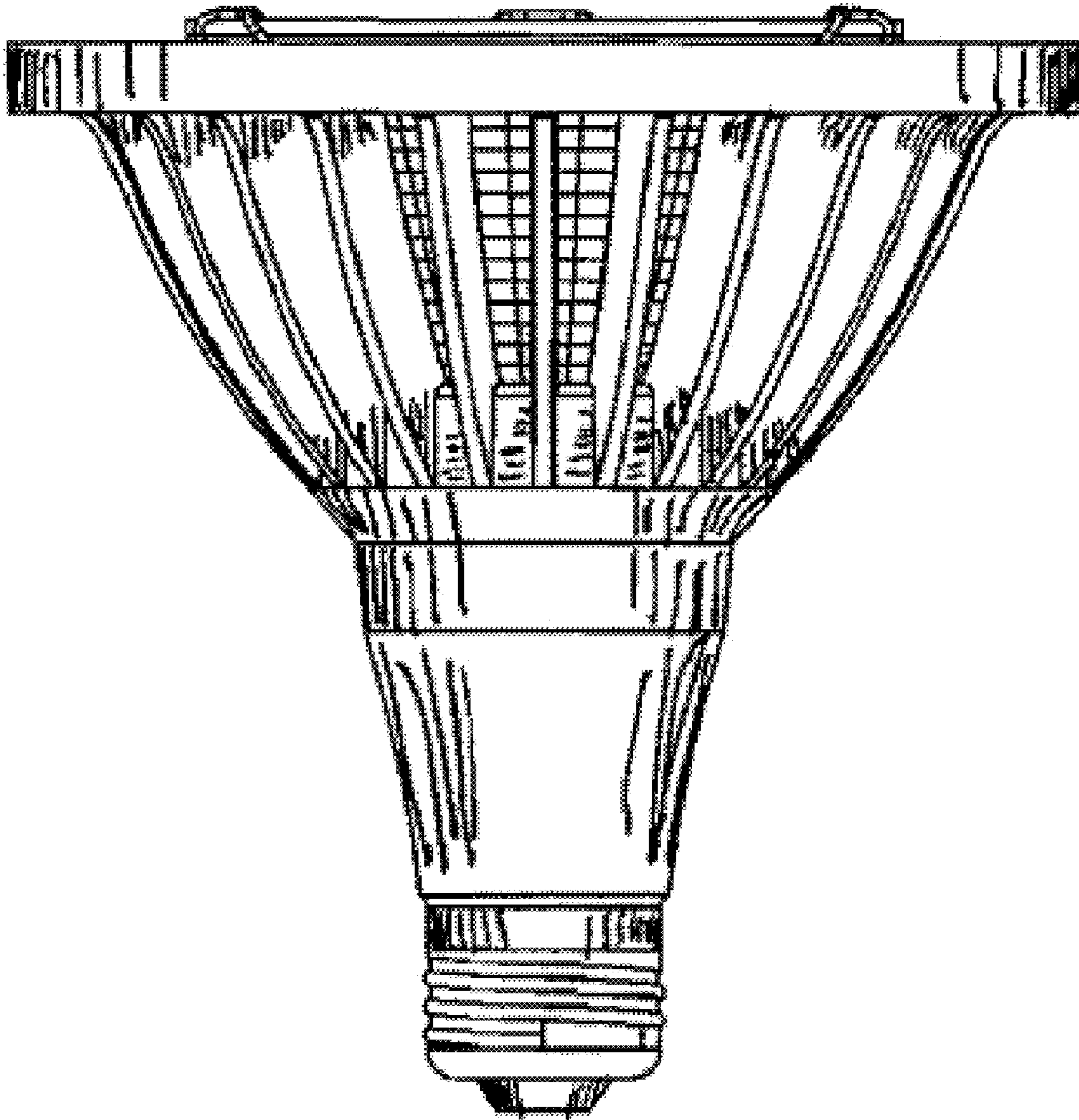


FIGURE 7

