



US00D649663S

(12) **United States Design Patent**
Tarter et al.

(10) **Patent No.:** **US D649,663 S**

(45) **Date of Patent:** **** *Nov. 29, 2011**

(54) **REMOVABLE RAILING TRAY**

(75) Inventors: **D. Mark Tarter**, Huntington, WV (US);
Keith M. O'Neill, Huntington, WV (US)

(73) Assignee: **Cloud 10, LLC**, Huntington, WV (US)

(**) Term: **14 Years**

(21) Appl. No.: **29/338,709**

(22) Filed: **Jun. 17, 2009**

(51) **LOC (9) Cl.** **25-99**

(52) **U.S. Cl.** **D25/199**

(58) **Field of Classification Search** D25/199,
D25/38, 39, 425, 43; D7/550.1, 553.3, 554.3;
206/557.1

See application file for complete search history.

(56) **References Cited**

U.S. PATENT DOCUMENTS

1,876,230	A *	9/1932	Horner	5/308
2,844,429	A *	7/1958	Frey	108/43
D199,392	S *	10/1964	Riper	D25/43
D285,508	S *	9/1986	Murphy	D6/429
D292,153	S *	10/1987	Delaney, Sr.	D6/511
D292,357	S *	10/1987	Narain	D7/554.3
4,850,282	A *	7/1989	Postic	108/47
D317,671	S *	6/1991	Skaggs et al.	D99/34
D318,390	S *	7/1991	Murray	D6/513
D340,339	S *	10/1993	Kean et al.	D34/27
D353,123	S *	12/1994	Korona	D12/133
D357,910	S *	5/1995	Newhouse	D14/461
5,447,237	A *	9/1995	Carter et al.	206/570
D362,812	S *	10/1995	Meyer	D10/64
5,511,674	A *	4/1996	Boyd et al.	211/70.6
D384,778	S *	10/1997	Powers et al.	D30/119
D385,126	S *	10/1997	Howland et al.	D6/406.6
5,709,155	A *	1/1998	Terracciano	108/42
5,709,329	A *	1/1998	Johnson	224/402
D400,404	S *	11/1998	Indekeu	D7/554.3

D400,986	S *	11/1998	Kanta	D25/199
D409,449	S *	5/1999	Cornelissen	D7/554.3
D433,662	S *	11/2000	Fanshaw et al.	D12/407
D433,848	S *	11/2000	Sorel et al.	D6/480
D447,606	S *	9/2001	Miller	D29/121.1
D480,923	S *	10/2003	Neubourg	D7/554.3
6,758,518	B2 *	7/2004	Ingram et al.	297/146
D518,901	S *	4/2006	Stackenwalt et al.	D25/136
D542,645	S *	5/2007	Kovace	D8/403
7,490,447	B2 *	2/2009	Ouellette et al.	52/749.1
D594,261	S *	6/2009	Maxwell	D6/574
D602,256	S *	10/2009	Johnson	D3/304
D619,822	S *	7/2010	Damgaard-Sorensen	..	D6/406.1
D620,761	S *	8/2010	Boudreau	D7/549
D626,238	S *	10/2010	Zinnanti	D24/185
7,980,263	B2 *	7/2011	McCarthy	135/67
2003/0233964	A1 *	12/2003	Comeaux	108/90

* cited by examiner

Primary Examiner — T. Chase Nelson

Assistant Examiner — Ania Aman

(74) *Attorney, Agent, or Firm* — Dinsmore & Shohl LLP;
Monika J. Hassell

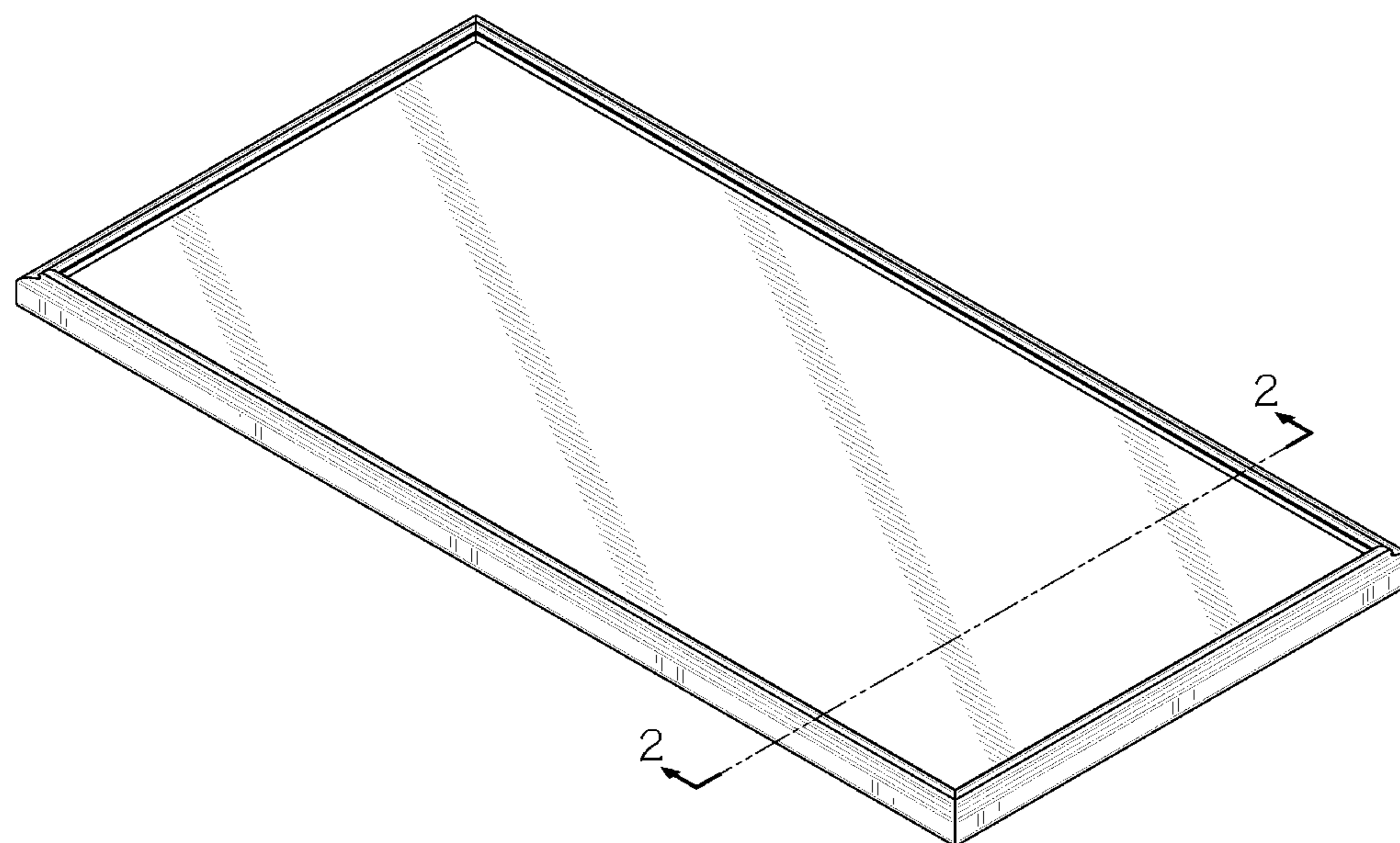
(57) **CLAIM**

The ornamental design for a removable railing tray, as shown and described.

DESCRIPTION

FIG. 1 is a top view of a removable railing tray showing our new design,
FIG. 2 is a side view of a portion of the removable railing tray (without showing the front and back edges thereof) taken along line 2-2 in FIG. 1, as installed on the deck railing (shown in broken lines); and,
FIG. 3 is a detailed sectional view of the edge trim detail that traverses the circumference of the removable tray.
The broken lines in FIG. 2 are for illustrative purposes only and form no part of the claimed design.

1 Claim, 3 Drawing Sheets



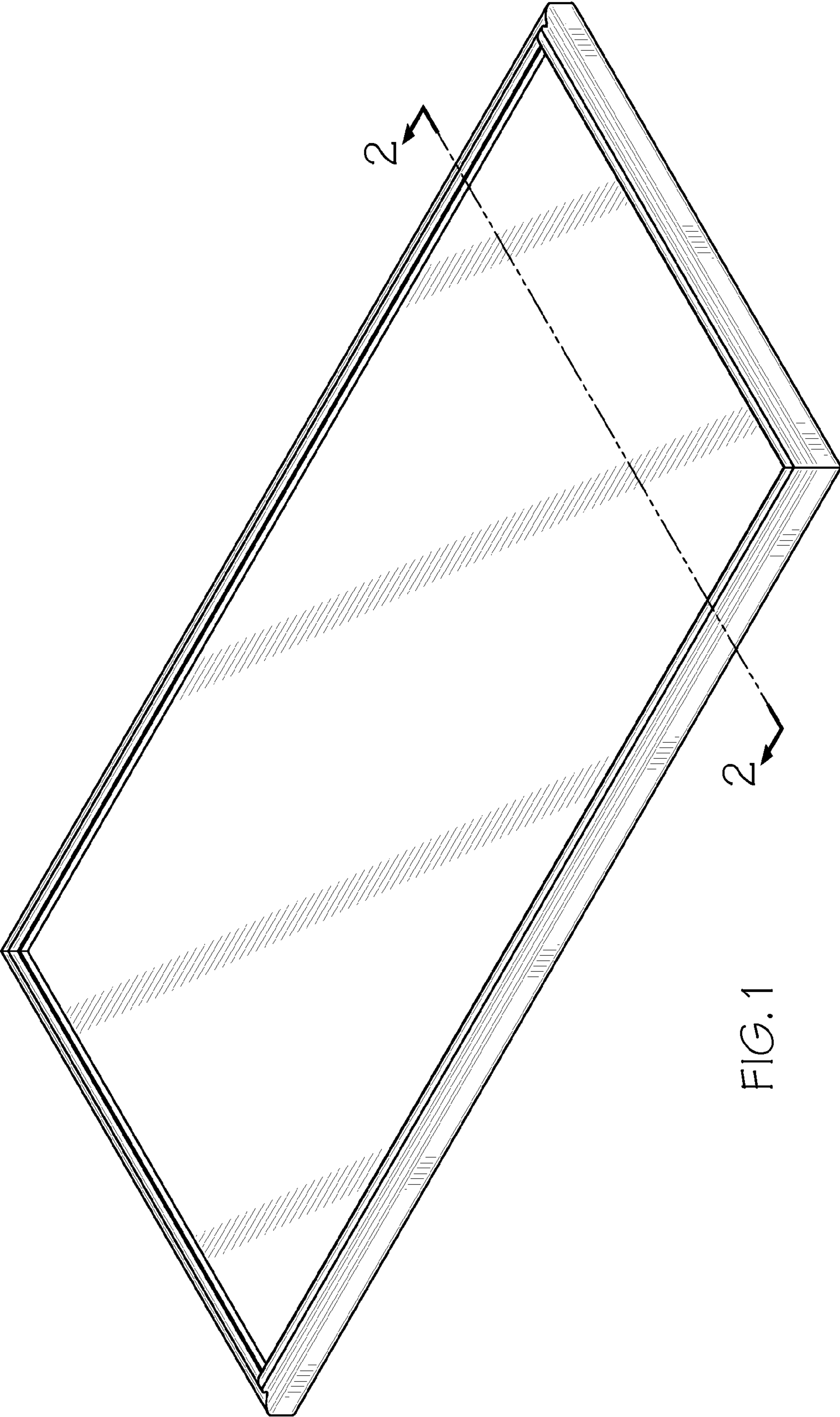


FIG. 1

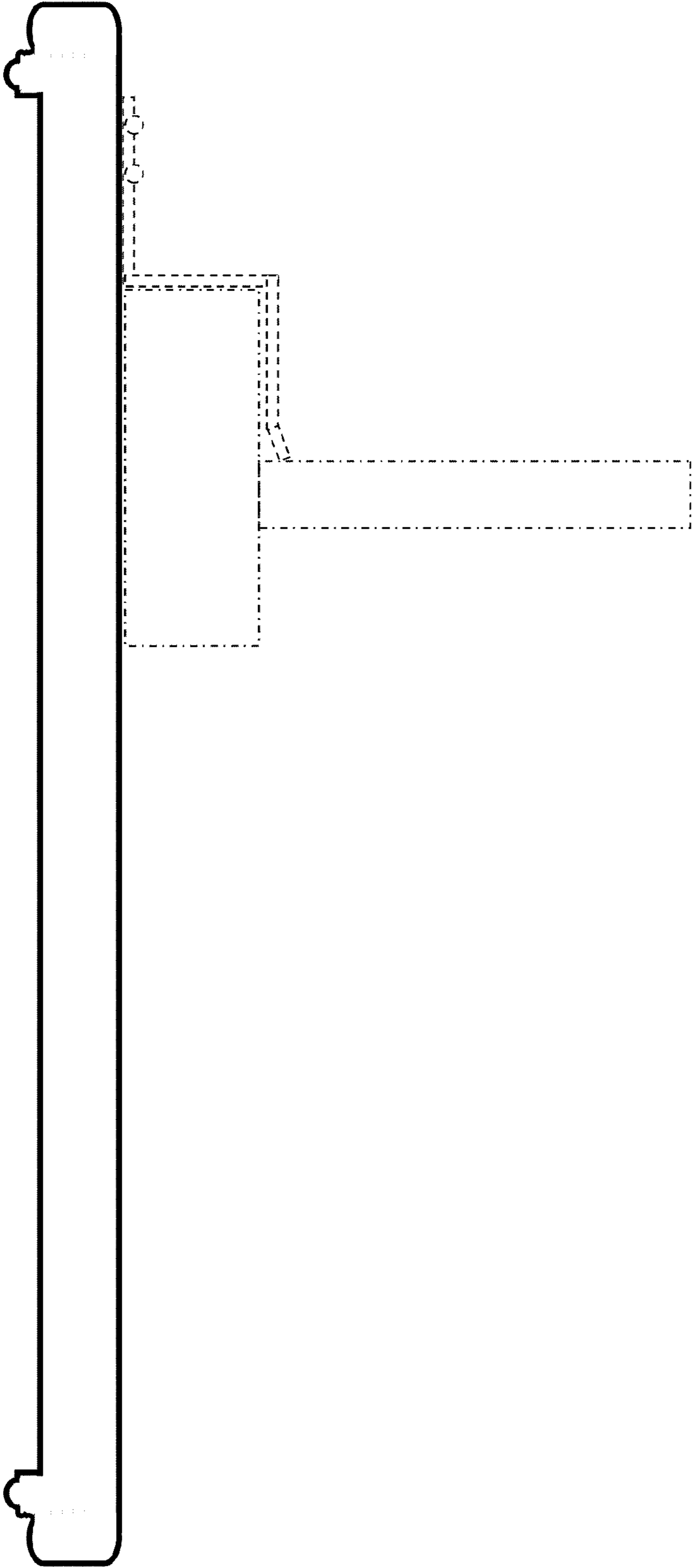


Figure 2

Figure 3

