



US00D649661S

(12) **United States Design Patent**  
**Konrad**

(10) **Patent No.:** **US D649,661 S**

(45) **Date of Patent:** **\*\* Nov. 29, 2011**

(54) **BASE SLAT FOR A ROLLING SHUTTER SYSTEM**

(76) **Inventor:** **Walter Martin Konrad**, Pearland, TX (US)

(\*\*) **Term:** **14 Years**

(21) **Appl. No.:** **29/348,673**

(22) **Filed:** **Jan. 28, 2010**

(51) **LOC (9) Cl.** ..... **25-02**

(52) **U.S. Cl.** ..... **D25/47**

(58) **Field of Classification Search** ..... D6/580;  
D25/47, 48, 119, 124; 52/473; 160/23.1,  
160/32, 41, 98, 99, 104, 120, 133, 238, DIG. 10  
See application file for complete search history.

(56) **References Cited**

**U.S. PATENT DOCUMENTS**

4,601,953	A *	7/1986	Haffer	.....	428/457
5,343,924	A *	9/1994	Hoffman	.....	160/235
5,611,383	A *	3/1997	Hoffman	.....	160/133
5,839,493	A	11/1998	Quasius		
D414,877	S *	10/1999	Meshulam	.....	D25/49
6,095,225	A	8/2000	Miller		
D445,511	S *	7/2001	Gabriele	.....	D25/49
D472,328	S *	3/2003	Wenrick et al.	.....	D25/47

D472,332	S *	3/2003	Wenrick et al.	.....	D25/119
6,631,749	B1	10/2003	Zabala		
6,715,529	B2 *	4/2004	Farooq	.....	160/133
D494,284	S *	8/2004	Wenrick et al.	.....	D25/119
6,951,236	B2	10/2005	Schlater et al.		
D514,364	S *	2/2006	Hsu	.....	D6/580
7,100,665	B2	9/2006	Miller		
D602,170	S *	10/2009	Konrad et al.	.....	D25/49
D617,006	S *	6/2010	Konrad	.....	D25/49

\* cited by examiner

*Primary Examiner* — Patricia Palasik

(74) *Attorney, Agent, or Firm* — Buskop Law Group

(57) **CLAIM**

The ornamental design for a base slat for a rolling shutter system, as shown and described.

**DESCRIPTION**

FIG. 1 is an end view of a base slat for a rolling shutter system showing our new design/ the opposite end view being a mirror image

FIG. 2 is a perspective front view thereof; and,

FIG. 3 is a perspective back view thereof.

The characteristic feature of the design resides in the outer silhouette of the profile.

**1 Claim, 1 Drawing Sheet**

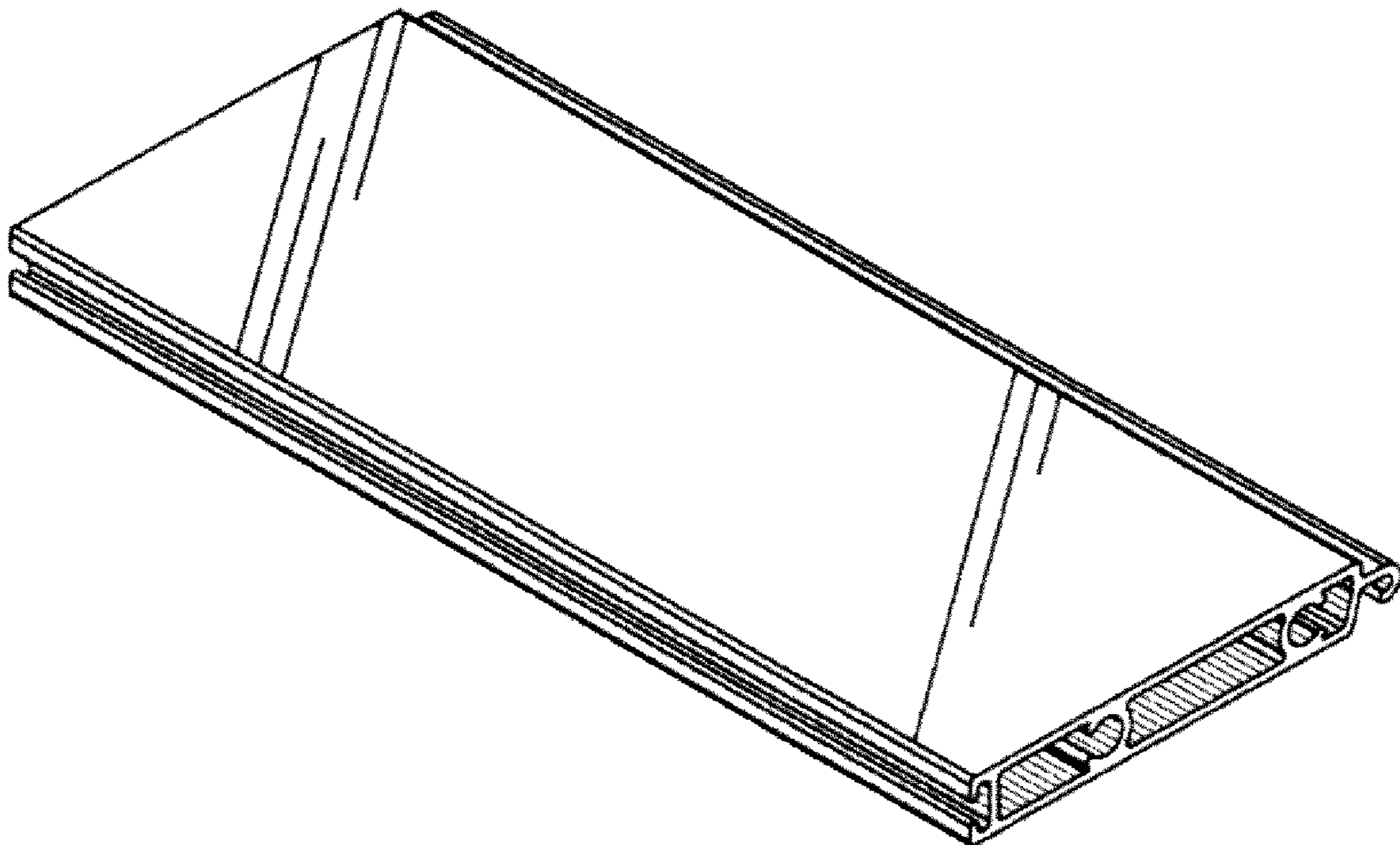


FIG1.



FIG2.

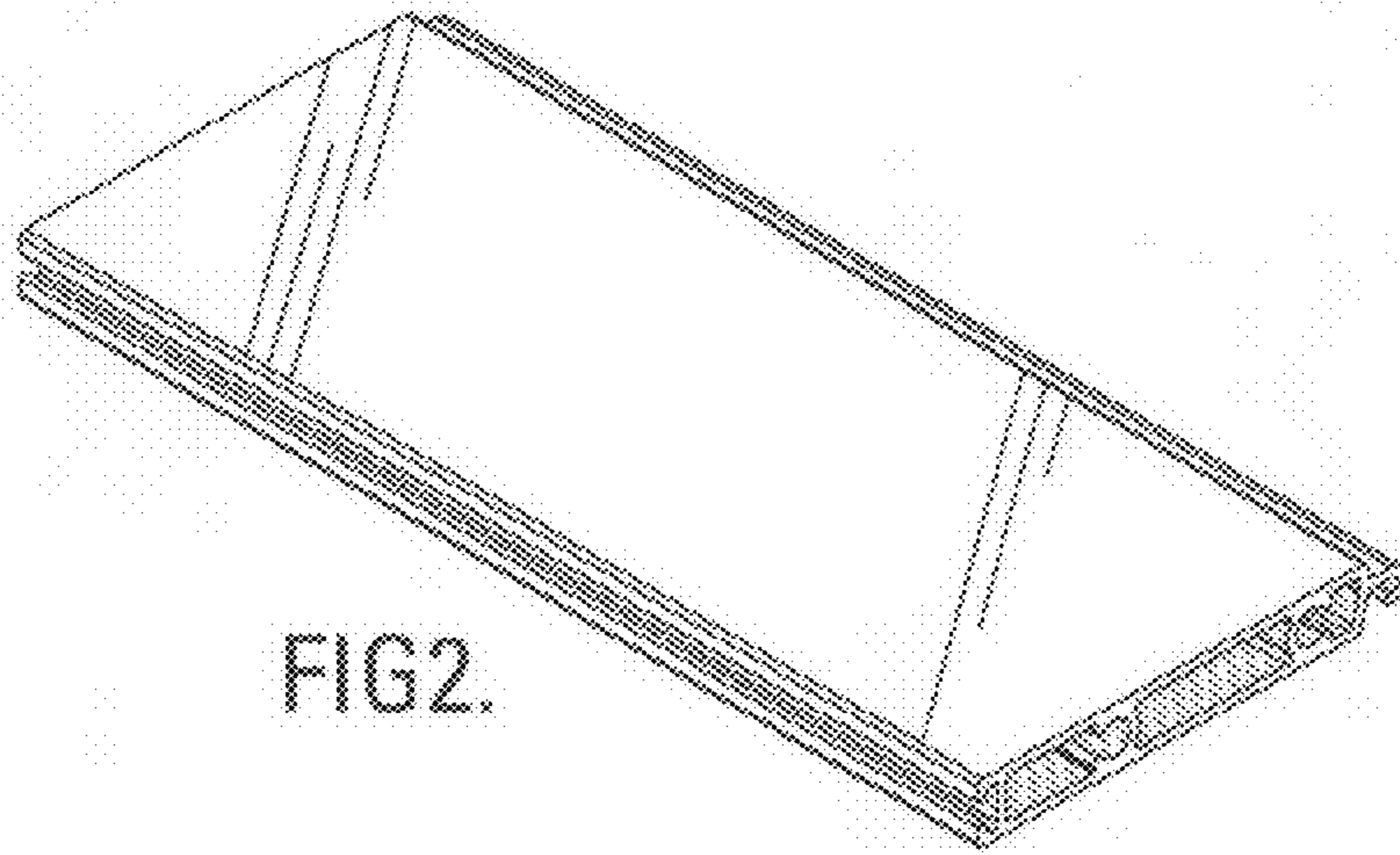


FIG3.

