



US00D649659S

(12) **United States Design Patent**
Belfance et al.

(10) **Patent No.:** **US D649,659 S**

(45) **Date of Patent:** **** Nov. 29, 2011**

(54) **VIAL**

(75) Inventors: **John Belfance**, Phenix City, AL (US);
Ronald Supranowicz, Lenox, MA (US)

(73) Assignee: **CSP Technologies, Inc.**, Auburn, AL
(US)

(**) Term: **14 Years**

(21) Appl. No.: **29/385,034**

(22) Filed: **Feb. 8, 2011**

(51) **LOC (9) Cl.** **24-01**

(52) **U.S. Cl.** **D24/224**

(58) **Field of Classification Search** D24/216–232;
D3/201, 203.1, 203.2, 203.5, 265; D10/81;
422/500, 547, 550, 558; D9/420, 423, 435,
D9/439, 446, 529, 549, 558, 574, 686; 215/235–237,
215/305, 306, 321, 382; 220/836, 839
See application file for complete search history.

(56) **References Cited**

U.S. PATENT DOCUMENTS

5,012,941	A	5/1991	Abrams	
6,398,067	B1	6/2002	Belfance	
6,705,463	B1	3/2004	Bucholtz	
D491,275	S *	6/2004	Walters et al.	D24/224
6,761,283	B1 *	7/2004	Gilliam et al.	220/837
6,769,558	B1	8/2004	Bucholtz	
D540,188	S *	4/2007	Karussi et al.	D9/734
7,413,083	B2	8/2008	Belfance	
D587,587	S *	3/2009	Schwartz et al.	D9/529
7,501,093	B2 *	3/2009	Demelo et al.	422/526
D599,032	S	8/2009	Bucholtz	
D608,011	S	1/2010	Giraud	
D618,362	S	6/2010	Giraud	
D621,951	S	8/2010	Bucholtz	
D627,081	S	11/2010	Giraud	

(Continued)

FOREIGN PATENT DOCUMENTS

WO 0228736 4/2002

(Continued)

Primary Examiner — Anhdao Doan

(74) *Attorney, Agent, or Firm* — Alissa L. Saenz

(57) **CLAIM**

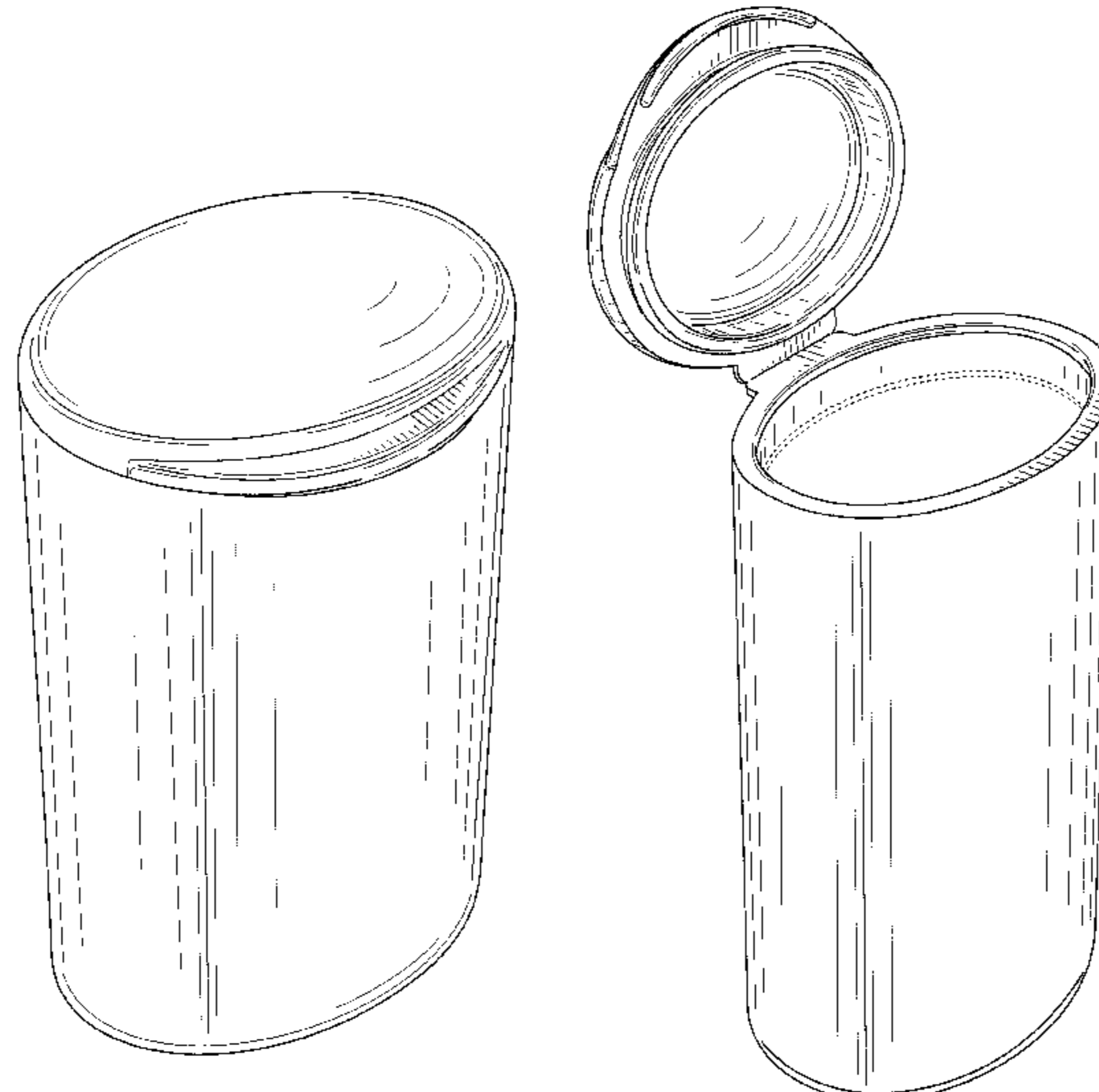
The ornamental design for a vial, as shown and described.

DESCRIPTION

FIG. 1 is a perspective view of an embodiment of the vial, in a closed state;
 FIG. 2 is a top plan view of the vial of FIG. 1, in a closed state;
 FIG. 3 is a bottom plan view of the vial of FIG. 1, in a closed state;
 FIG. 4 is a right side elevation of the vial of FIG. 1, in a closed state;
 FIG. 5 is a front elevation of the vial of FIG. 1, in a closed state;
 FIG. 6 is a left side elevation of the vial of FIG. 1, in a closed state;
 FIG. 7 is a rear elevation of the vial of FIG. 1, in a closed state;
 FIG. 8 is a perspective view of the vial of FIG. 1, in an opened state;
 FIG. 9 is a top plan view of the vial of FIG. 1, in an opened state;
 FIG. 10 is a bottom plan view of the vial of FIG. 1, in an opened state;
 FIG. 11 is a right side elevation of the vial of FIG. 1, in an opened state;
 FIG. 12 is a front elevation of the vial of FIG. 1, in an opened state;
 FIG. 13 is a left side elevation of the vial of FIG. 1, in an opened state; and,
 FIG. 14 is a rear elevation of the vial of FIG. 1, in an opened state.

In FIGS. 8 and 9, the broken lines immediately adjacent the shaded areas represent the bounds of the claim, and other broken lines are included for the purpose of illustrating a portion of the vial that forms no part of the claimed design. None of the broken lines form a part of the claimed design.

1 Claim, 12 Drawing Sheets



US D649,659 S

Page 2

U.S. PATENT DOCUMENTS

D631,168	S	*	1/2011	Bucholtz et al.	D24/224
2006/0219727	A1		10/2006	Giraud	
2007/0051739	A1		3/2007	Giraud	
2007/0228061	A1		10/2007	Giraud	
2009/0166312	A1		7/2009	Giraud	

FOREIGN PATENT DOCUMENTS

WO	07109166	9/2007
WO	09149324	10/2009
WO	09140627	11/2009

* cited by examiner

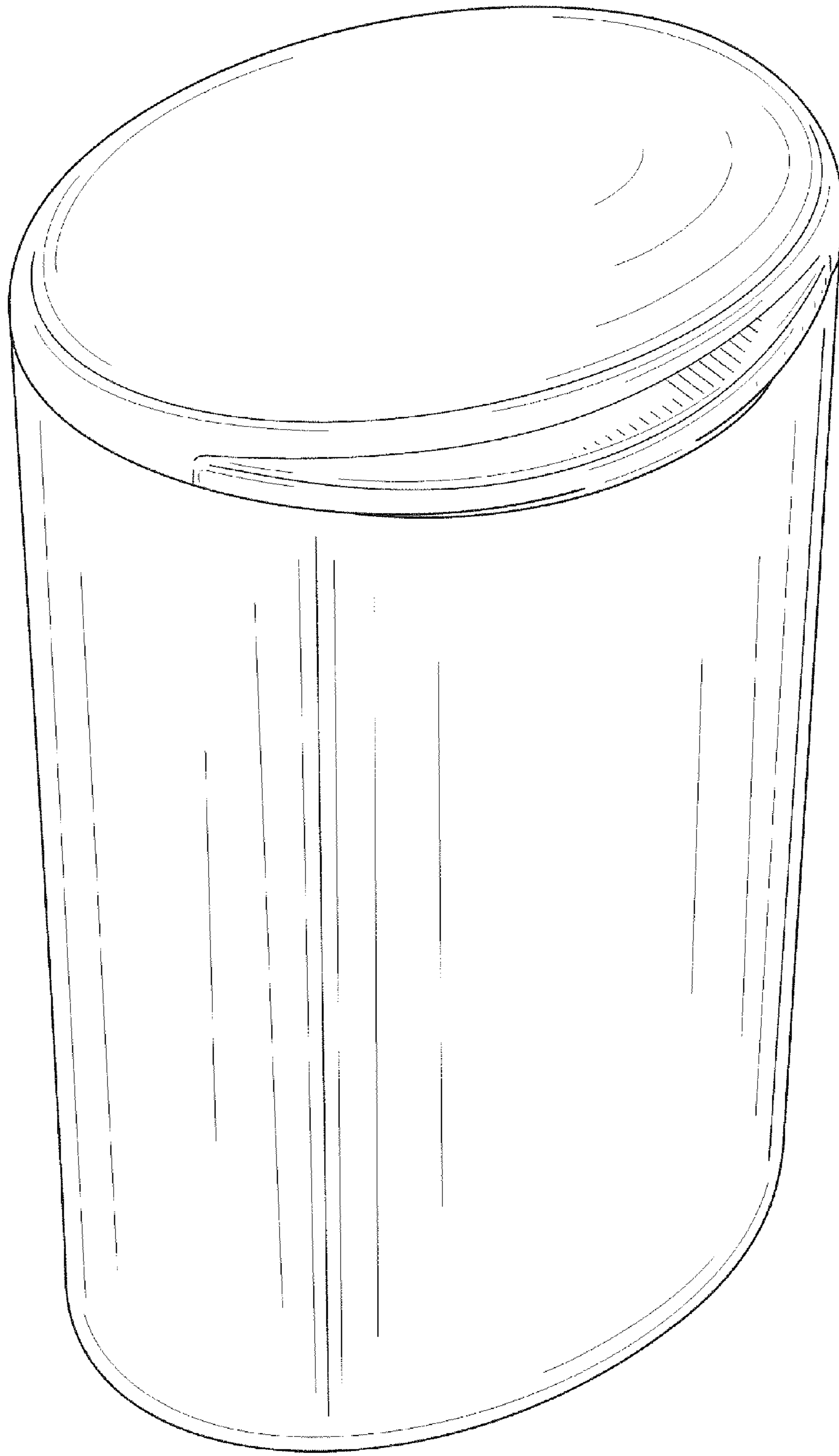


FIG. 1

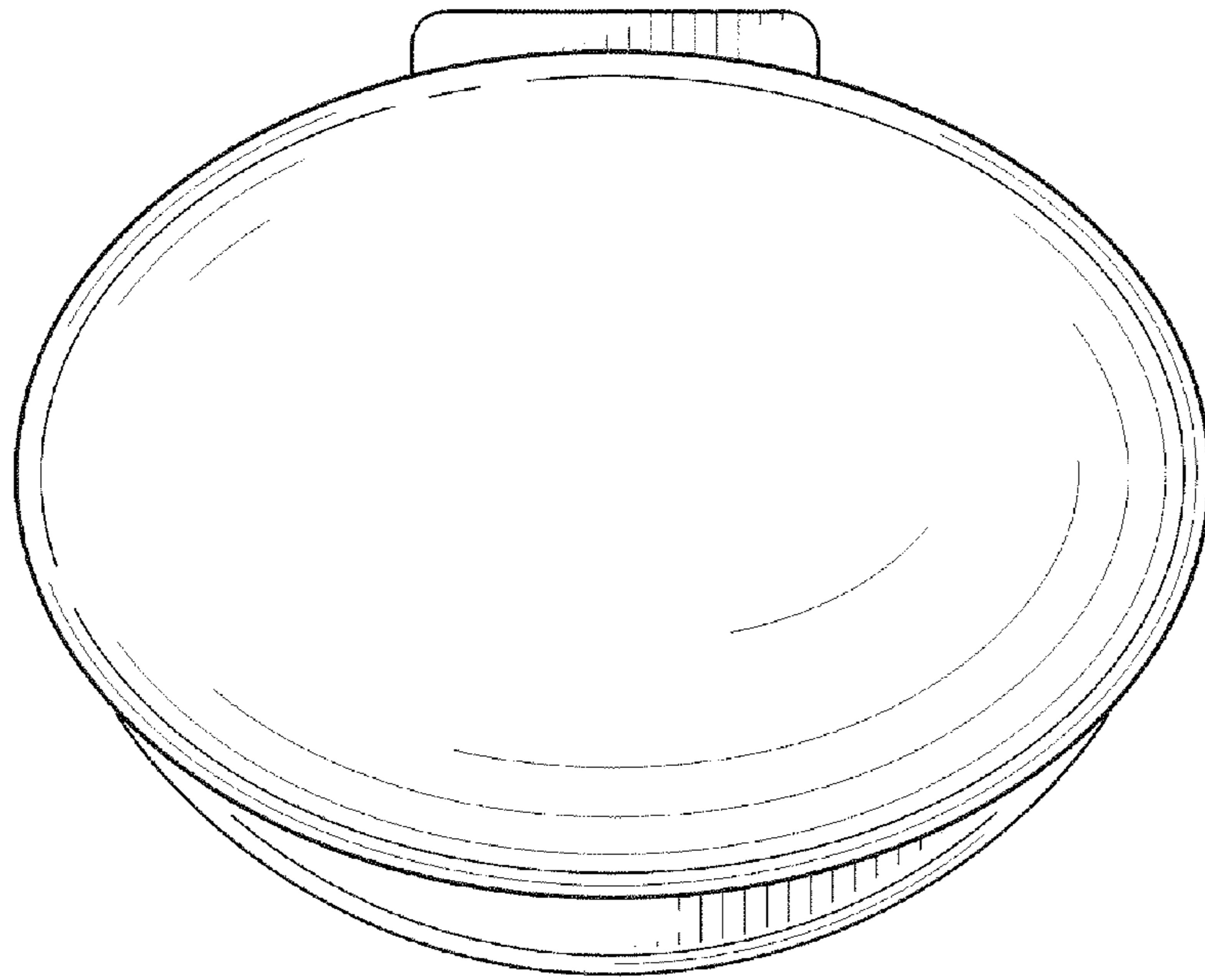


FIG. 2

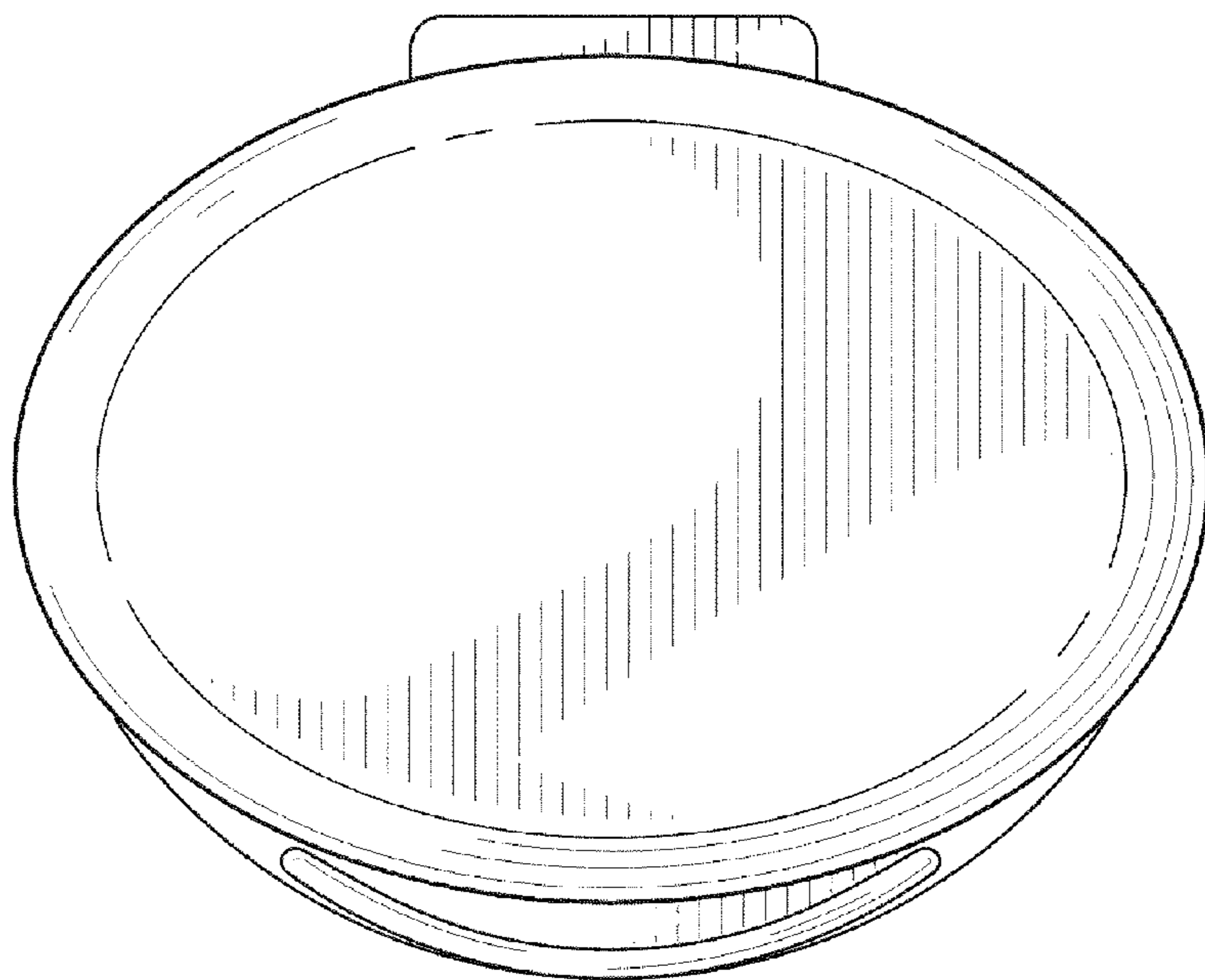


FIG. 3

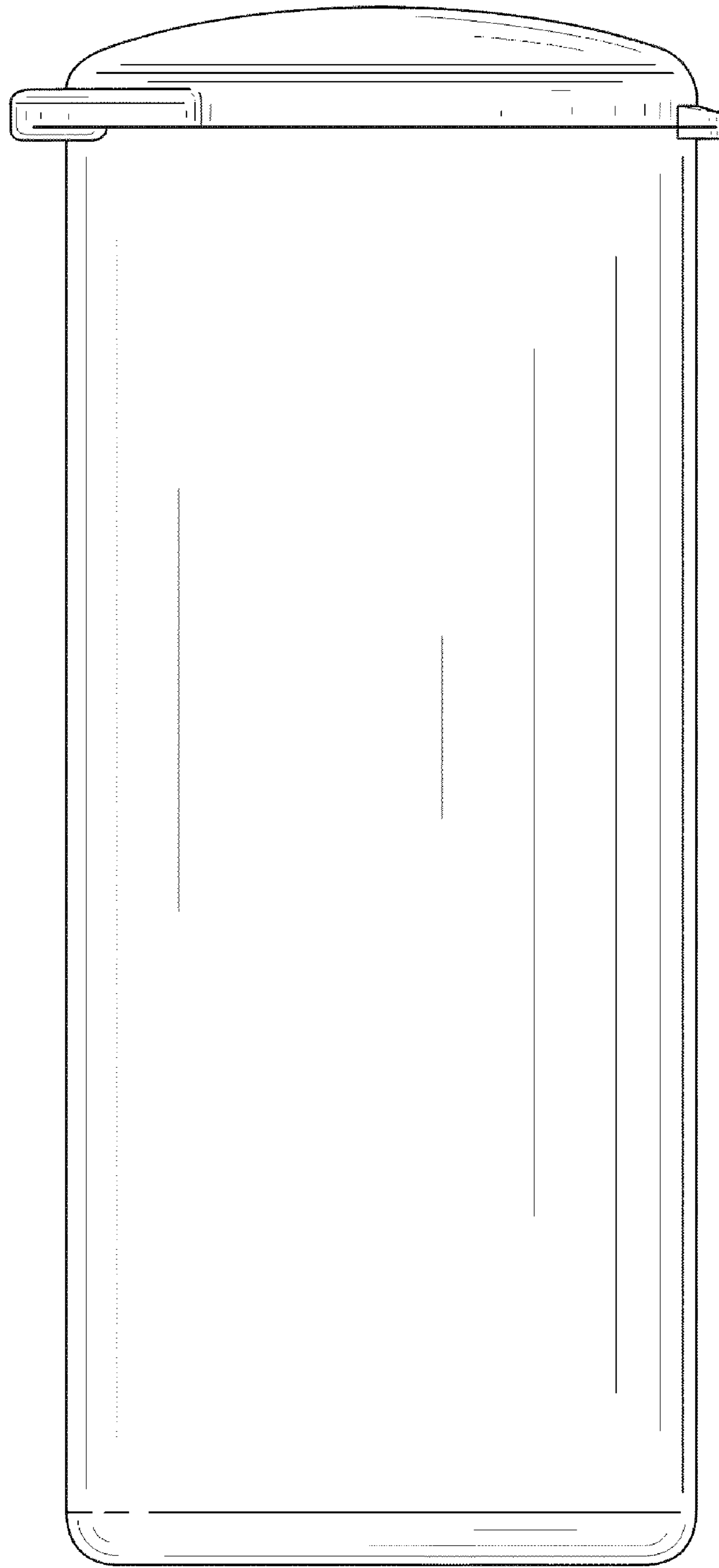


FIG. 4

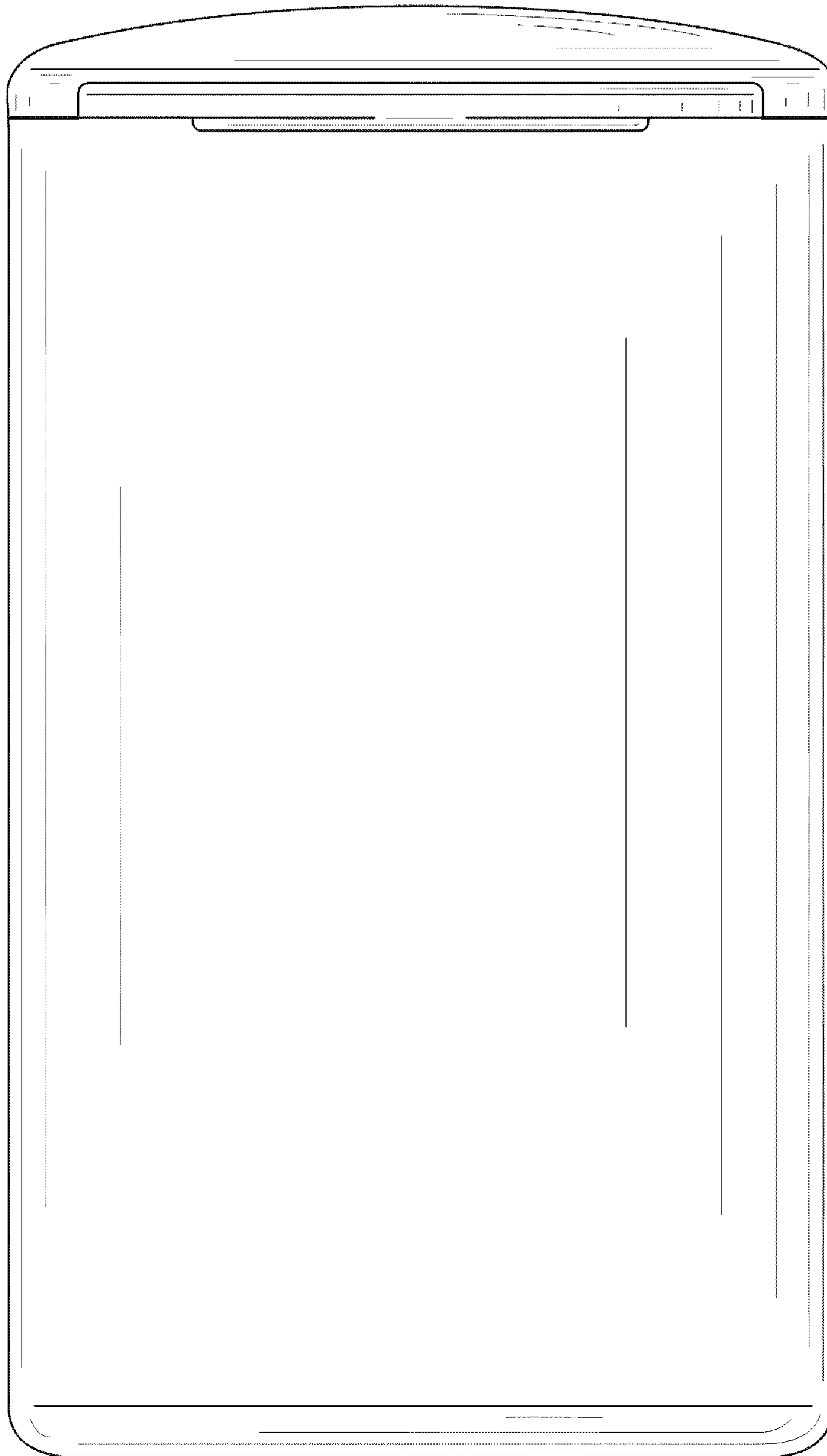


FIG. 5

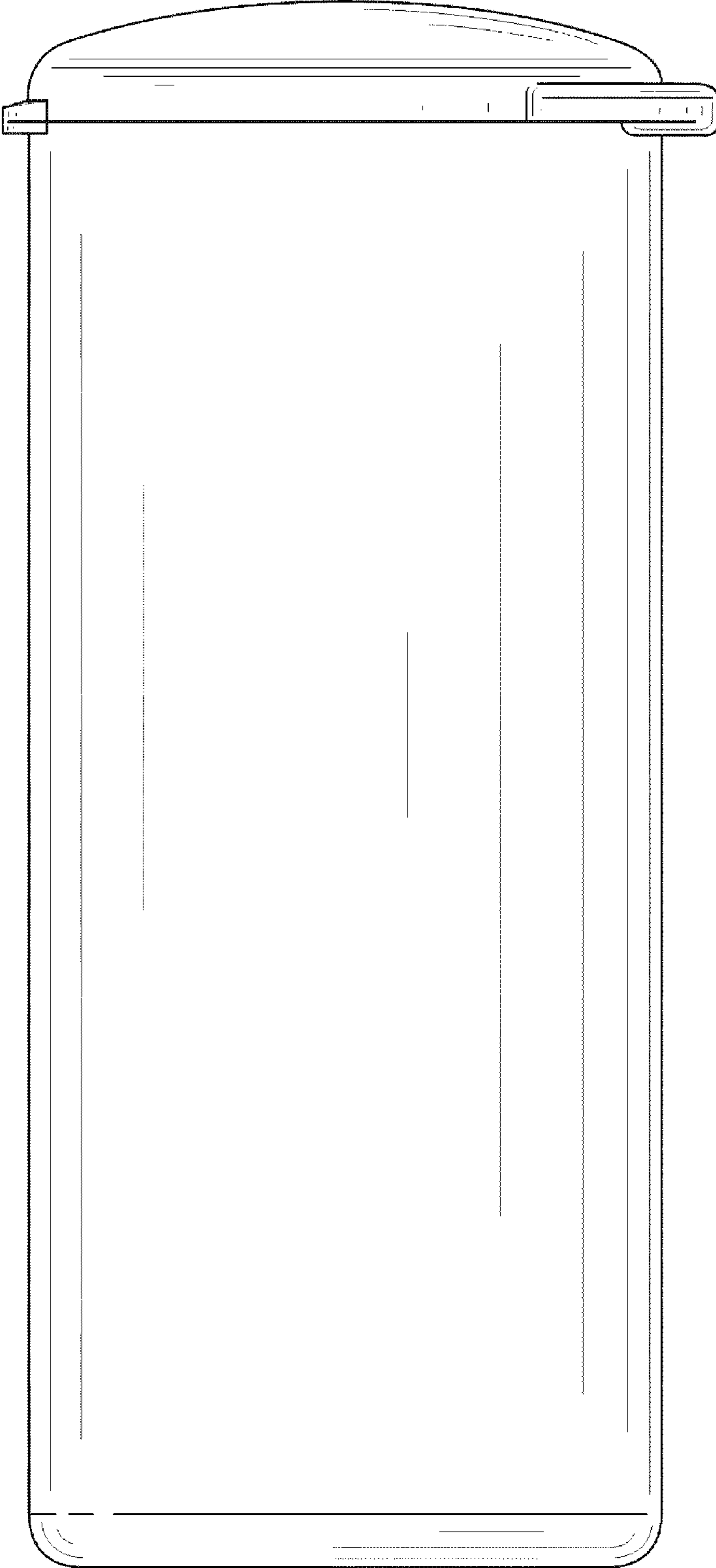


FIG. 6

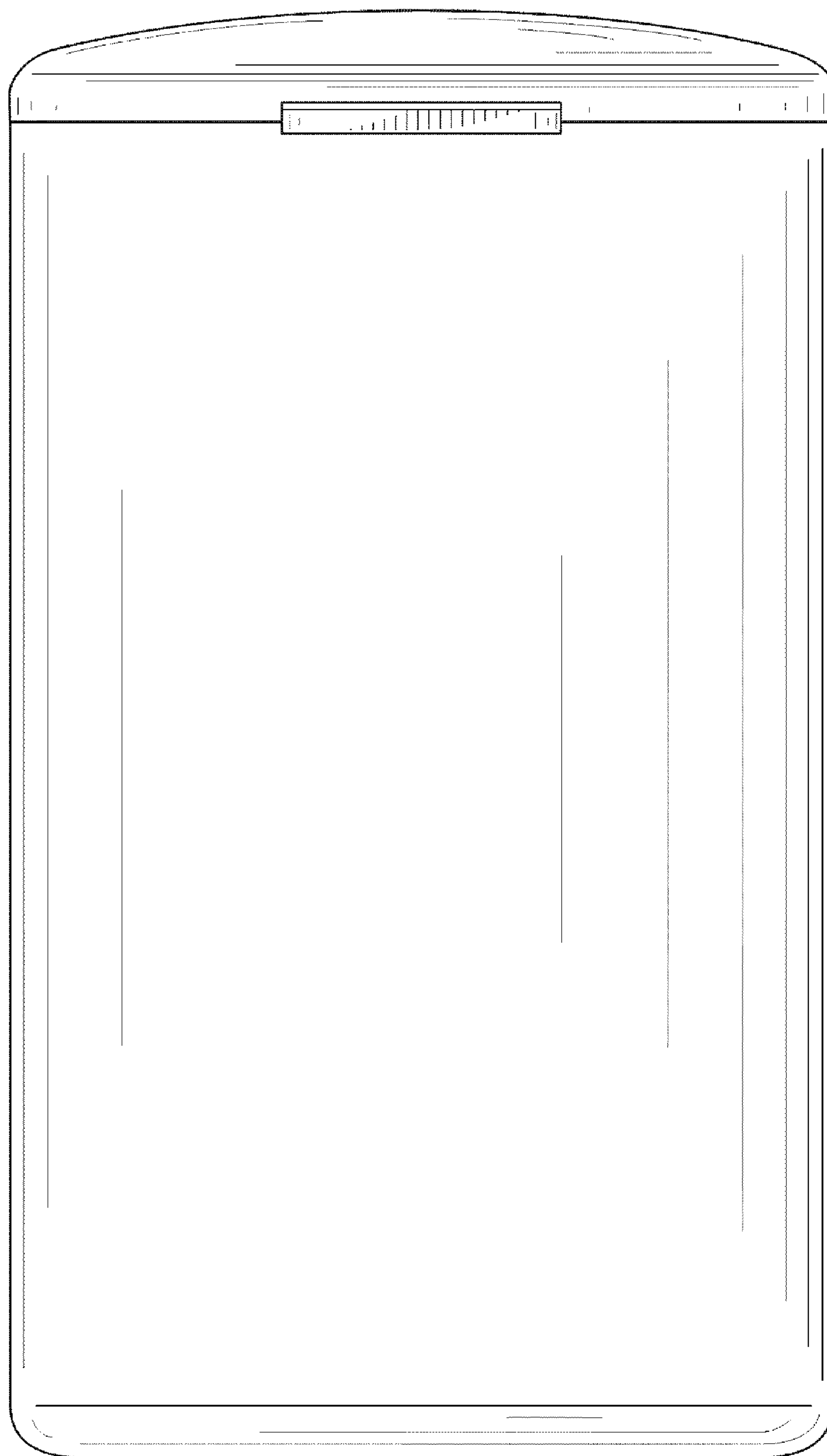


FIG. 7

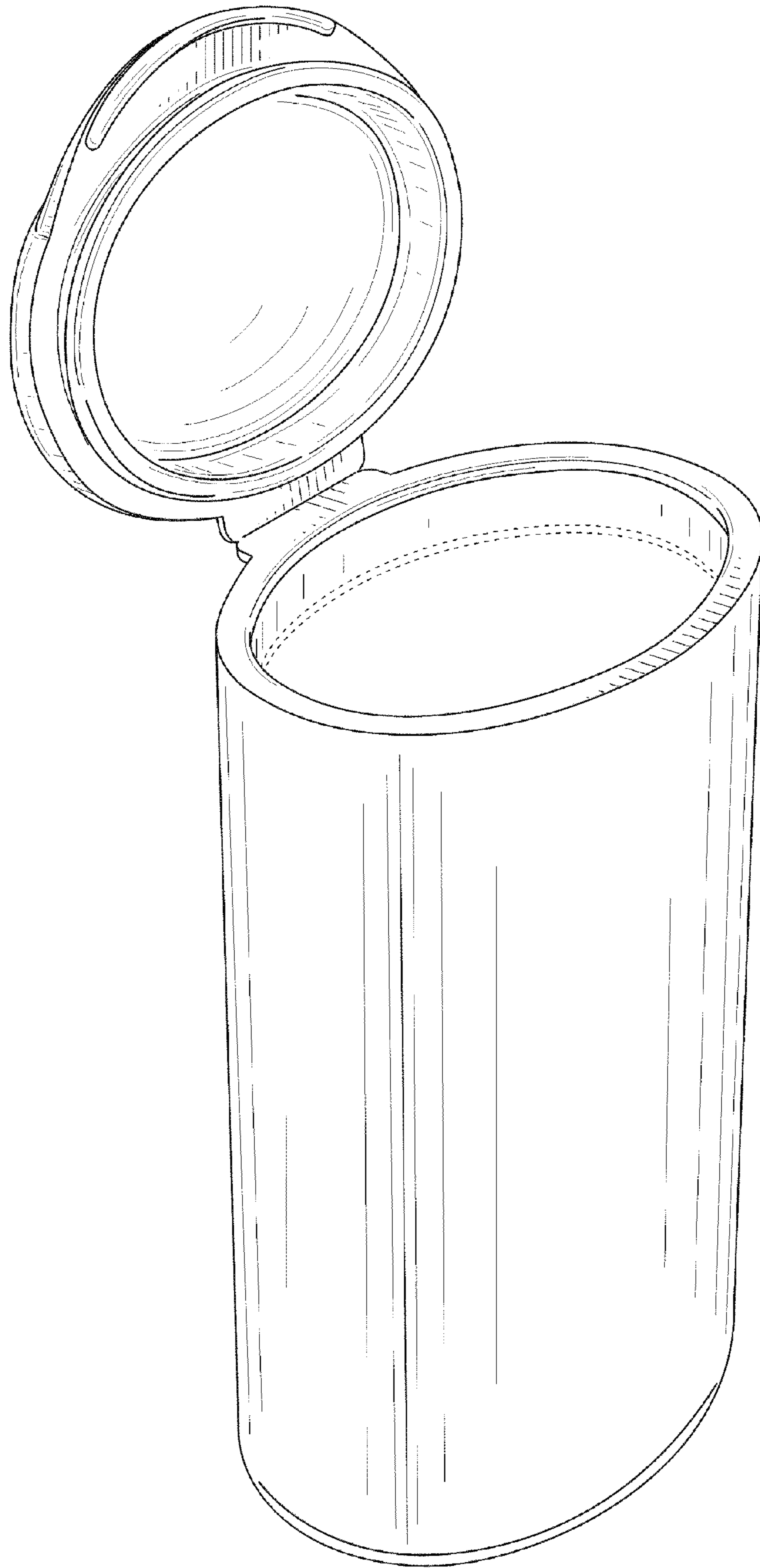


FIG. 8

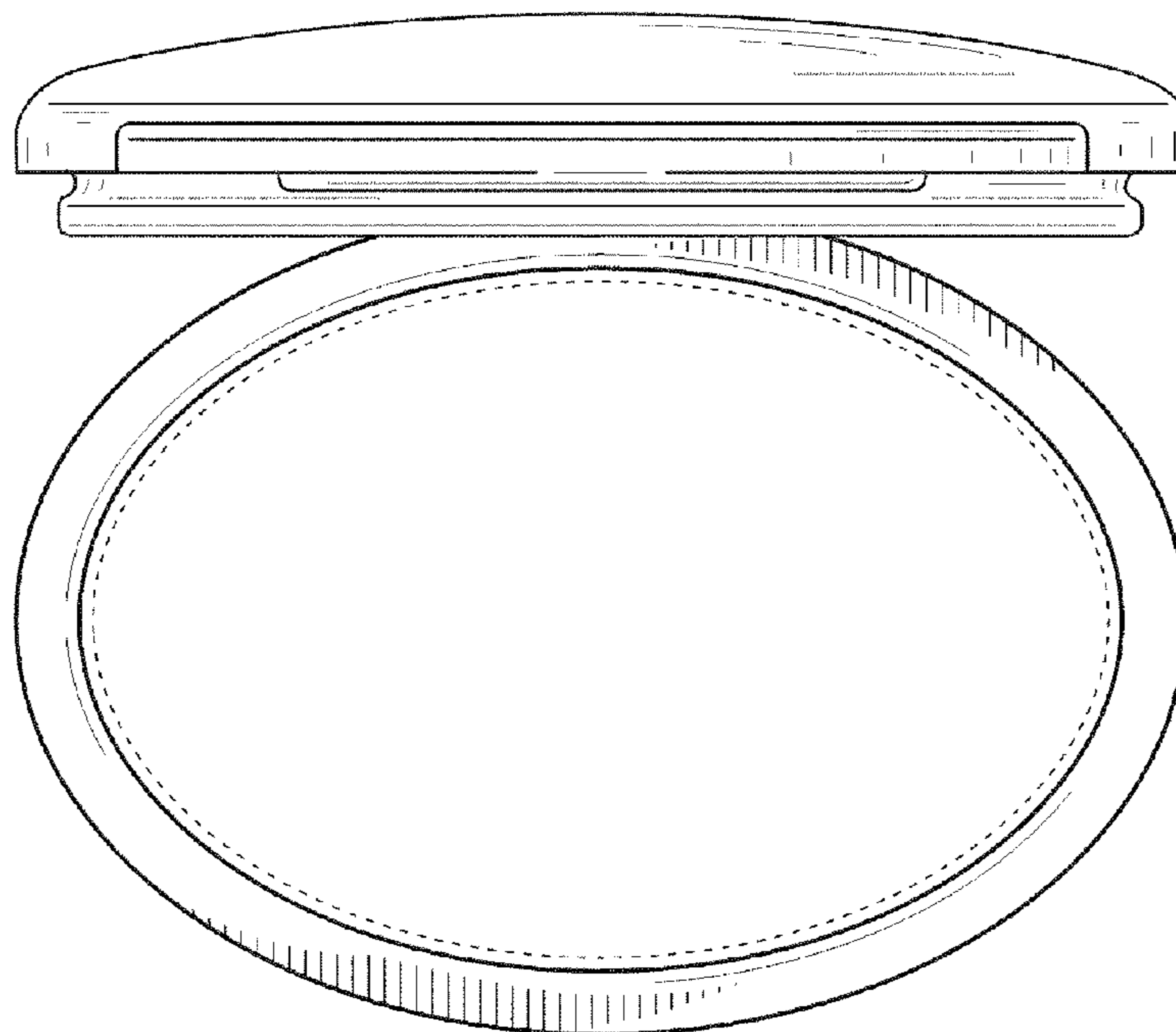


FIG. 9

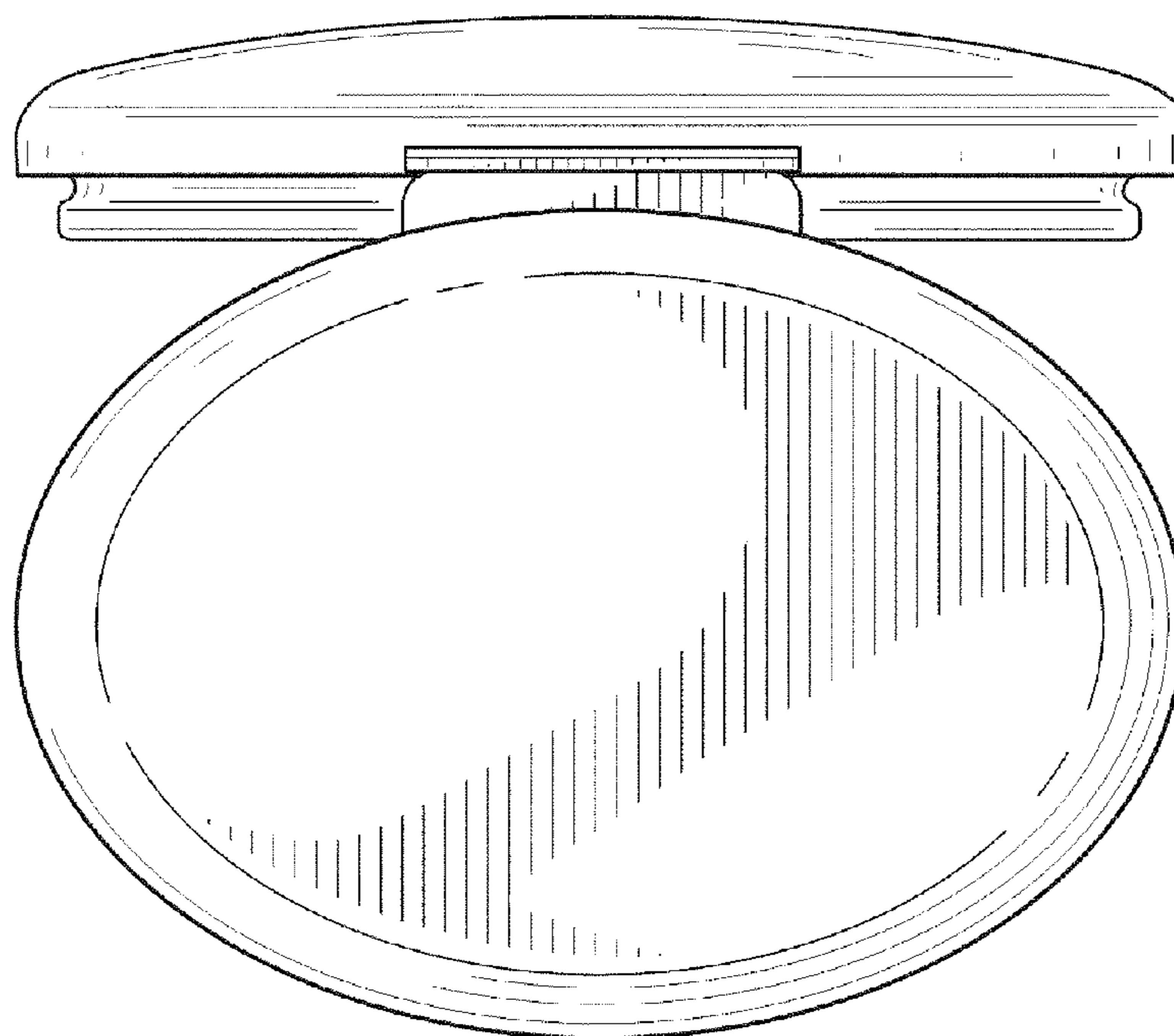


FIG. 10

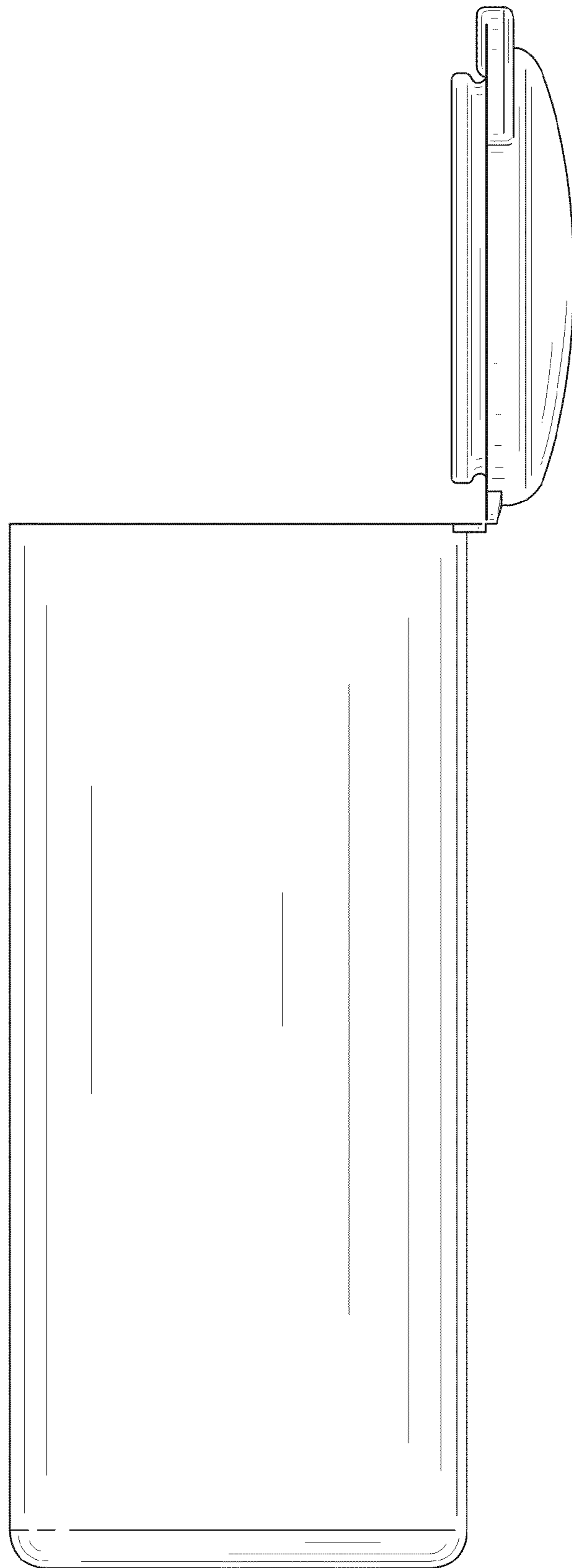


FIG. 11

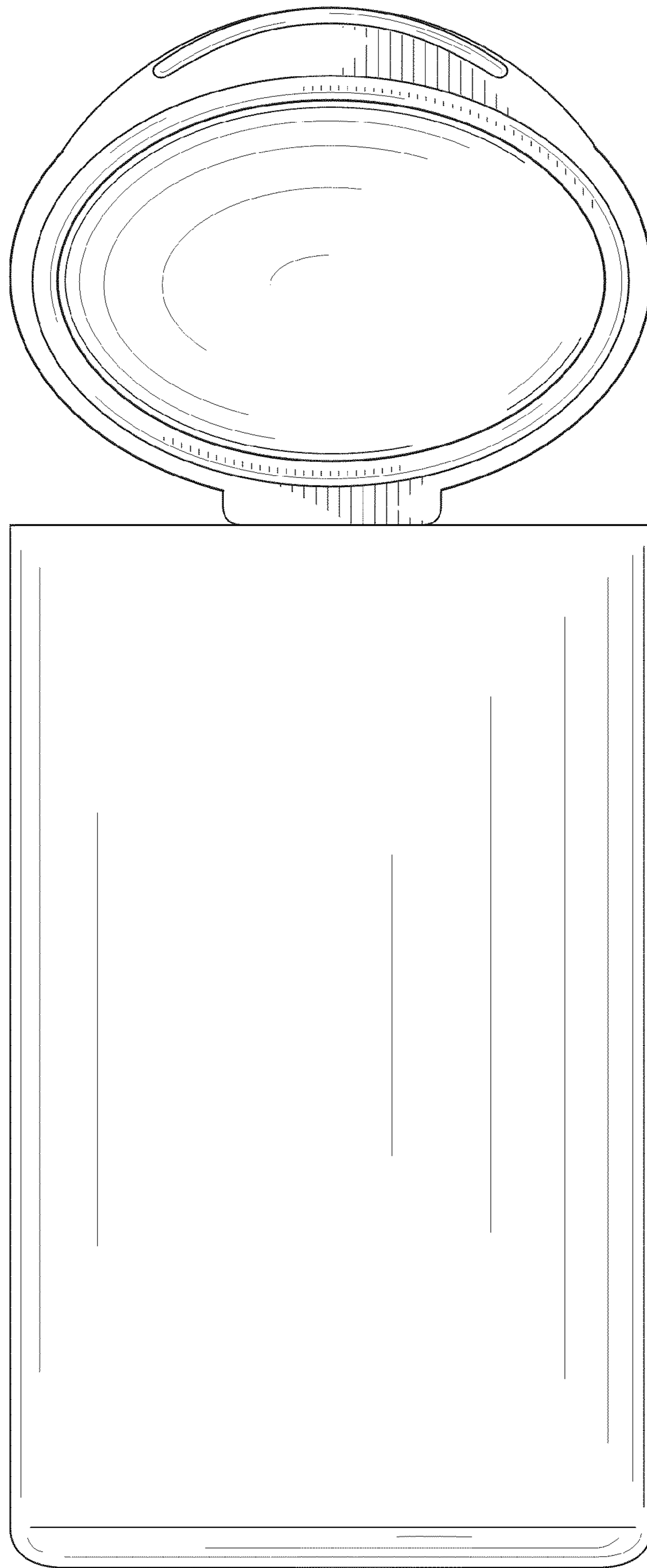


FIG. 12

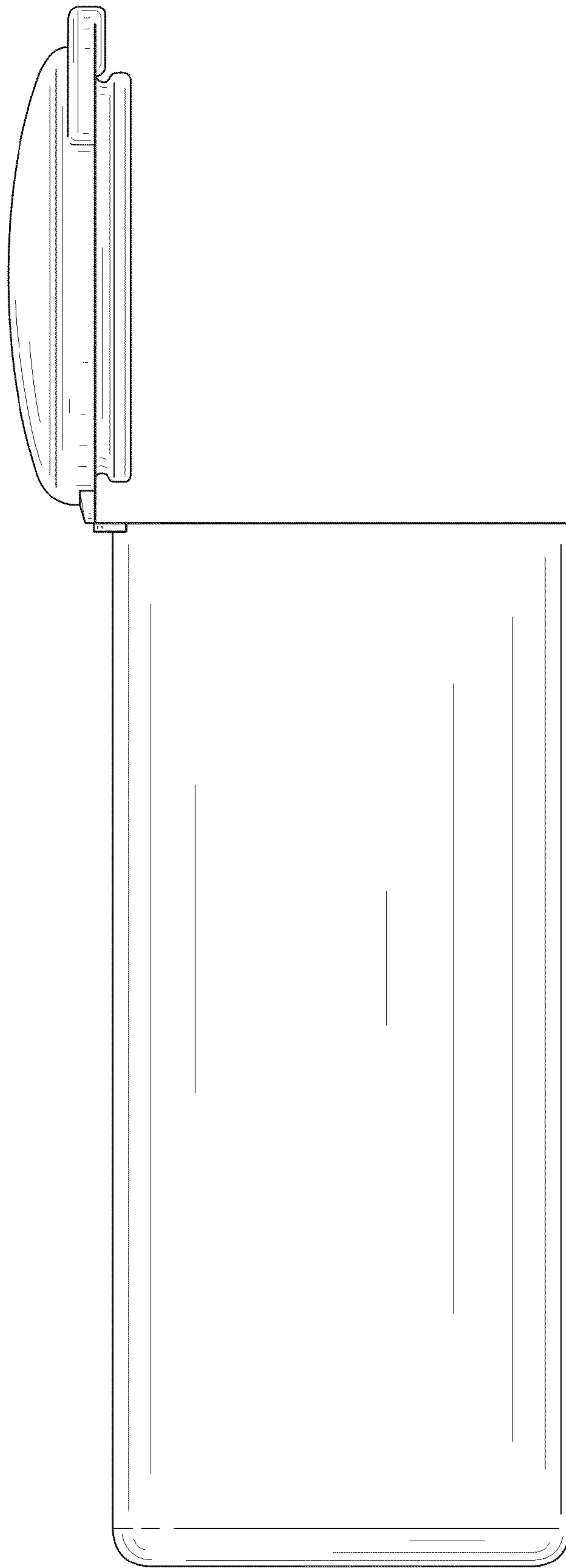


FIG. 13

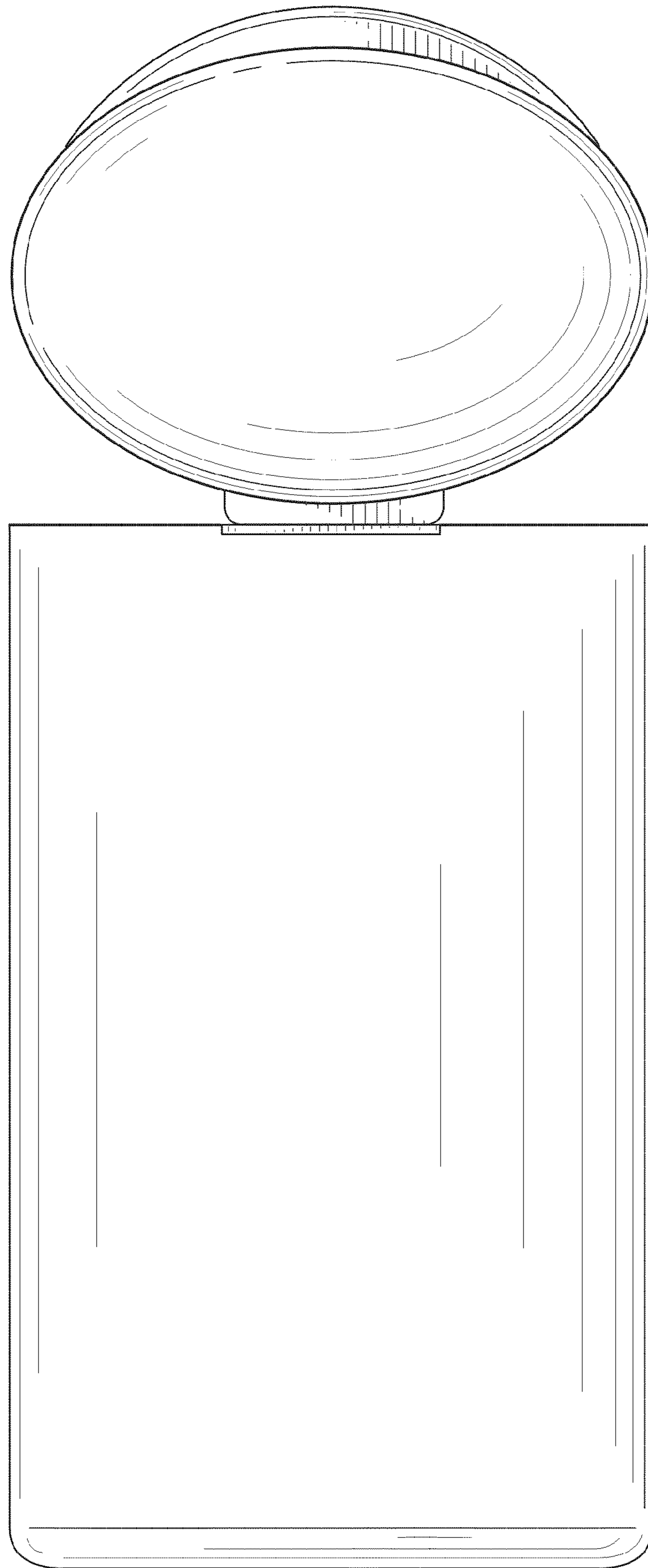


FIG. 14