



US00D649652S

(12) **United States Design Patent**  
**Hayton et al.**

(10) **Patent No.:** **US D649,652 S**

(45) **Date of Patent:** **\*\* Nov. 29, 2011**

(54) **SKIN PLASTER**

(76) Inventors: **Paul Hayton**, Bristol (GB); **Christopher Althorpe**, Cardiff (GB)

(\*\*) Term: **14 Years**

(21) Appl. No.: **29/353,932**

(22) Filed: **Jan. 15, 2010**

(30) **Foreign Application Priority Data**

Jul. 16, 2009 (GB) ..... 001153167-0001

(51) **LOC (9) Cl.** ..... **28-03**

(52) **U.S. Cl.** ..... **D24/209**

(58) **Field of Classification Search** ..... D24/210,  
D24/209, 200, 158, 224, 190, 189; 362/555,  
362/545, 800, 294, 249, 267; D26/29, 37,  
D26/39, 41, 104; 606/2-4; 607/88-95; 128/893,  
128/DIG. 14; 602/43

See application file for complete search history.

(56) **References Cited**

**U.S. PATENT DOCUMENTS**

D424,725 S *	5/2000	Cousins	.....	D26/37
D425,225 S	5/2000	Holderfield		
D431,308 S	9/2000	Lynch et al.		
D506,261 S *	6/2005	Hellstrom	.....	D24/224
D508,131 S *	8/2005	Kent et al.	.....	D24/210
D519,641 S *	4/2006	Lansohn	.....	D24/209
D524,469 S *	7/2006	Pitot et al.	.....	D26/37
D540,969 S	4/2007	Ueda et al.		

D544,618 S *	6/2007	Coushaine	.....	D26/37
D553,274 S *	10/2007	Hill et al.	.....	D26/37
D571,499 S *	6/2008	Ho	.....	D26/104
D574,085 S *	7/2008	Lucchetti	.....	D24/190
D577,836 S *	9/2008	Engebriksen	.....	D26/37
D579,572 S *	10/2008	Wittenbrock et al.	.....	D24/209
D594,130 S	6/2009	Scocimara et al.		
D598,117 S *	8/2009	Yamashita et al.	.....	D24/190
D598,149 S *	8/2009	Leslie et al.	.....	D26/37
D612,510 S	3/2010	Byle		

\* cited by examiner

*Primary Examiner* — David Muller

(74) *Attorney, Agent, or Firm* — David Bradin; Steven J. Hultquist; Hultquist IP

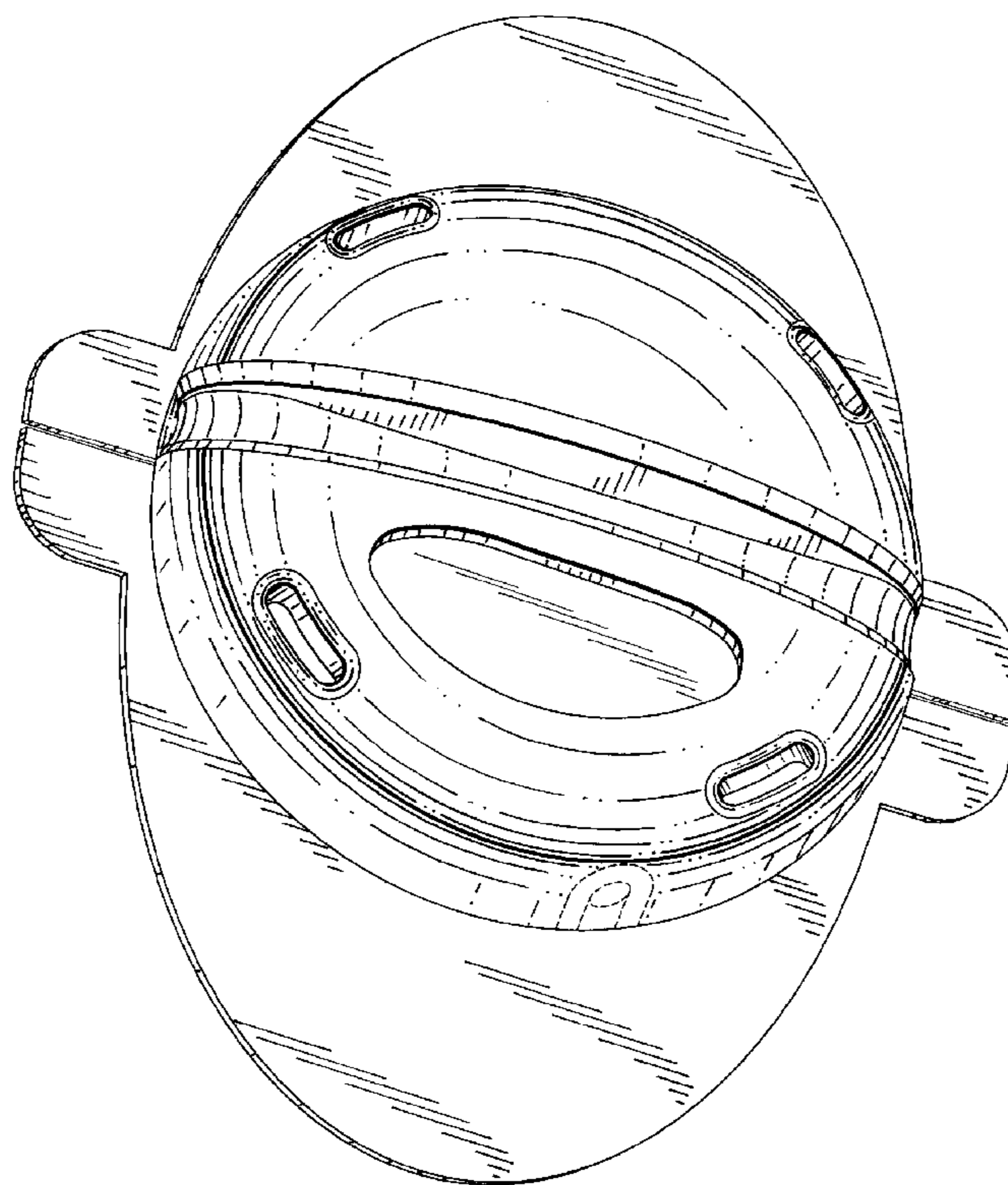
(57) **CLAIM**

The ornamental design for a skin plaster, as shown and described.

**DESCRIPTION**

FIG. 1 is a front view of the skin plaster;  
FIG. 2 is a rear view thereof;  
FIG. 3 is a left side elevation view thereof;  
FIG. 4 is a right side elevation view thereof;  
FIG. 5 is a bottom plan view of the skin plaster, and the top plan view is a mirror image thereof; and,  
FIG. 6 is a perspective view thereof.  
The broken line showing of parts of the drawings is included for the purpose of illustrating use and environment and forms no part of the claimed design.

**1 Claim, 5 Drawing Sheets**



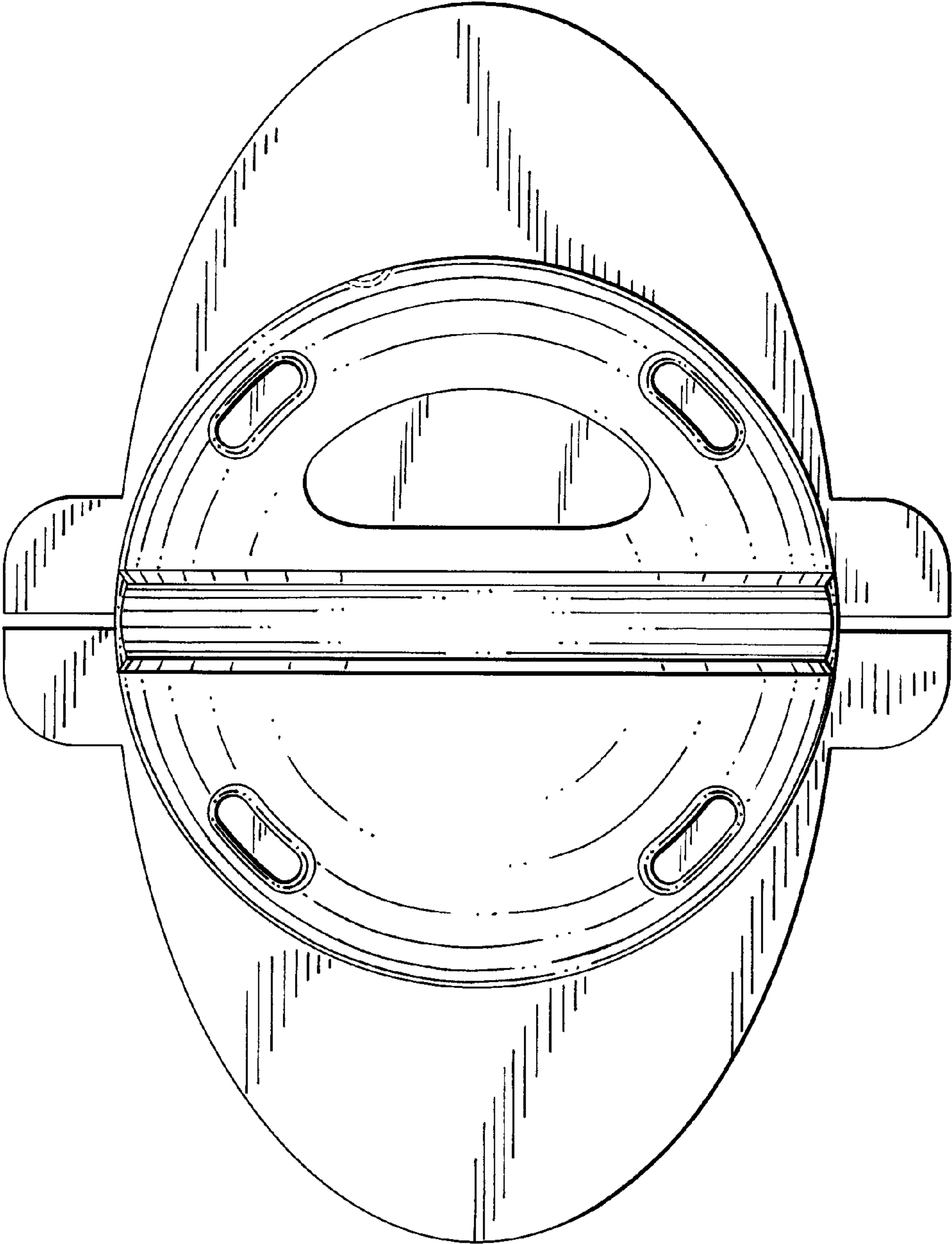


FIG.1

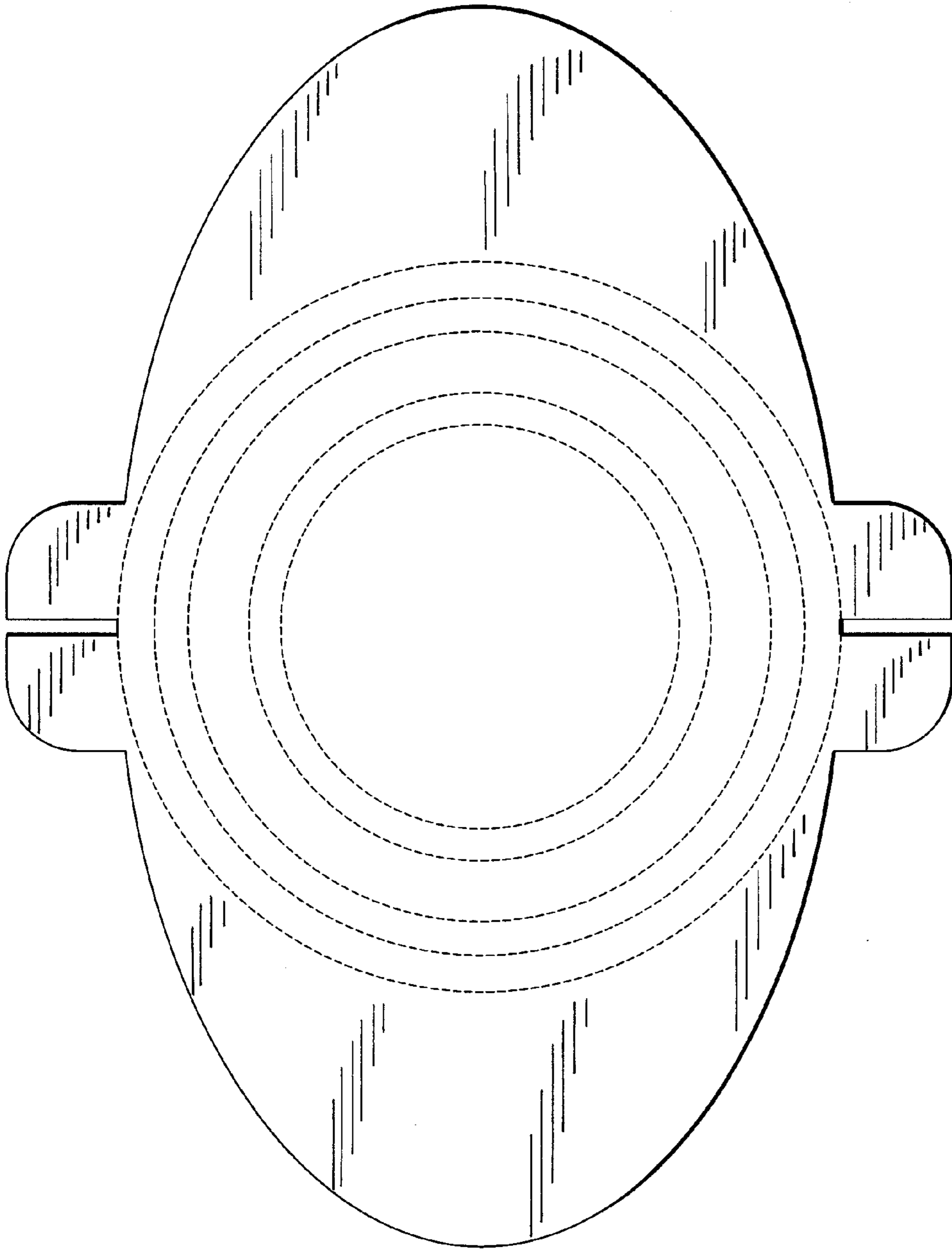


FIG.2

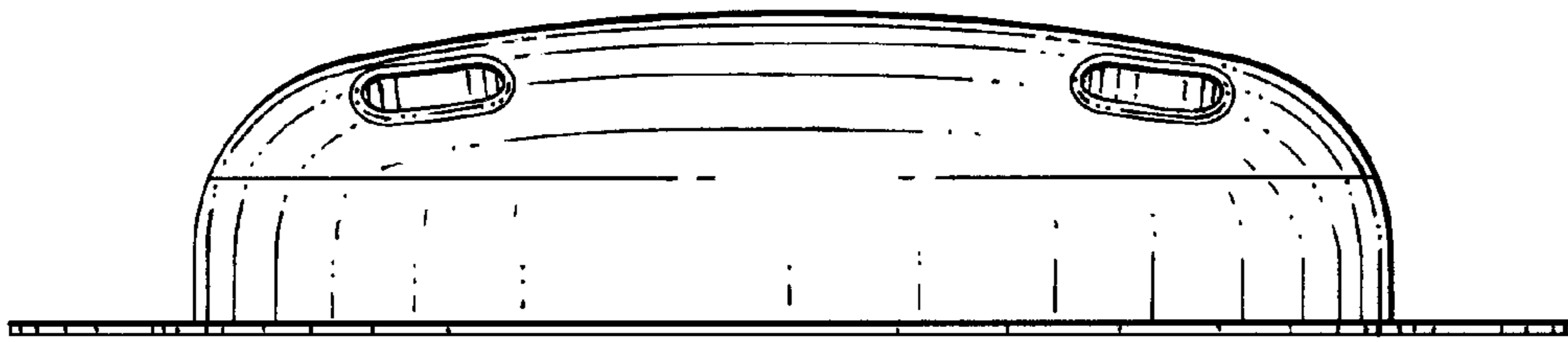


FIG. 3

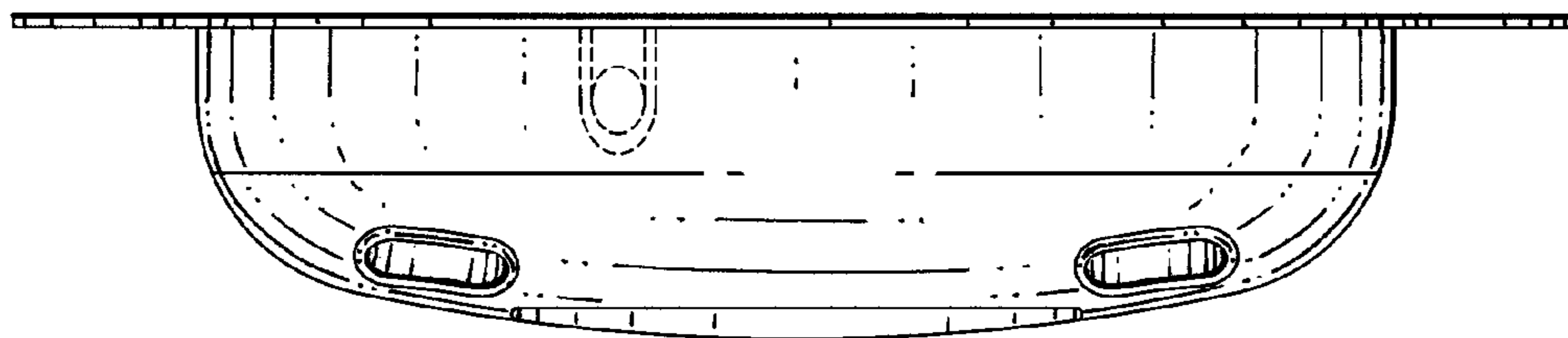


FIG. 4

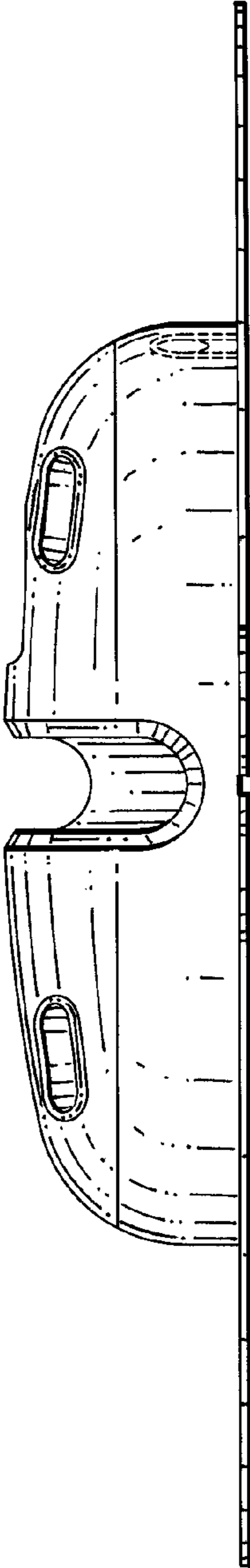


FIG. 5



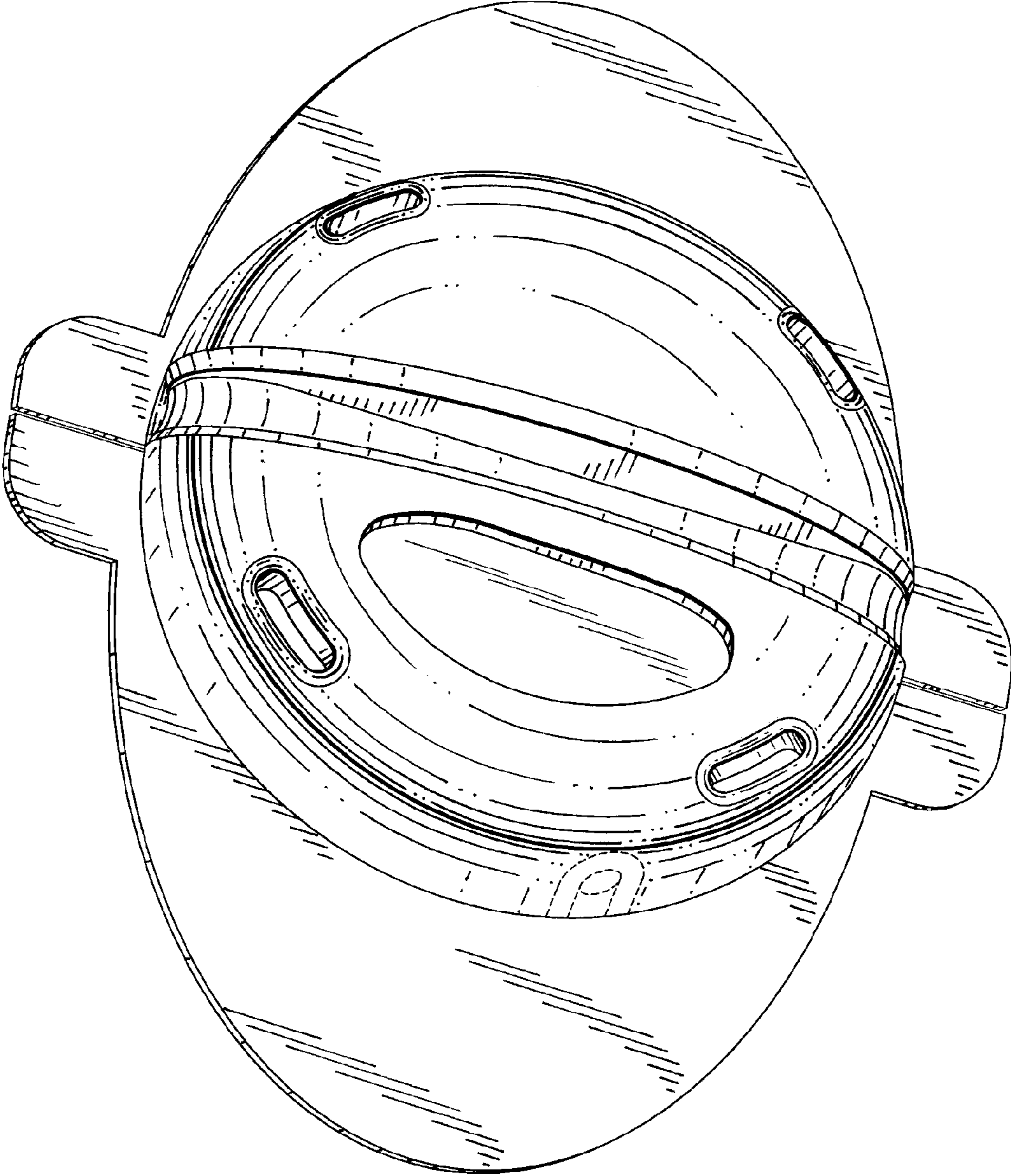


FIG.6