



US00D649648S

(12) **United States Design Patent**
Cavalieri et al.

(10) **Patent No.:** **US D649,648 S**

(45) **Date of Patent:** **** Nov. 29, 2011**

(54) **BACK SUPPORT**

(76) Inventors: **William Cavalieri**, New Port Richey, FL (US); **William Cavalieri, Jr.**, New Port Richey, FL (US)

(**) Term: **14 Years**

(21) Appl. No.: **29/398,326**

(22) Filed: **Jul. 29, 2011**

Related U.S. Application Data

(63) Continuation of application No. 12/333,730, filed on Dec. 12, 2008.

(51) **LOC (9) Cl.** **24-01**

(52) **U.S. Cl.** **D24/190**

(58) **Field of Classification Search** D24/190;
D29/101.3, 101.5; D2/300, 502, 624, 627,
D2/629, 634, 635; 602/7, 18, 19, 75; 128/DIG. 23,
128/115.1, 96.1; 2/44-45, 300, 338, 463-465;
D21/662, 805

See application file for complete search history.

(56) **References Cited**

U.S. PATENT DOCUMENTS

| | | | | | |
|-----------|-----|---------|------------------|-------|----------|
| 3,094,984 | A * | 6/1963 | Jewett | | 602/19 |
| 3,871,367 | A | 3/1975 | Miller | | |
| 4,173,973 | A | 11/1979 | Hendricks | | |
| 4,384,372 | A * | 5/1983 | Rector | | 2/300 |
| RE31,564 | E | 4/1984 | Hendricks | | |
| 4,459,979 | A | 7/1984 | Lewis, Jr. | | |
| 4,508,110 | A | 4/1985 | Modglin | | |
| 4,541,419 | A | 9/1985 | Osawa | | |
| 4,572,167 | A | 2/1986 | Brunswick | | |
| 5,074,292 | A | 12/1991 | Cox | | |
| 5,105,806 | A * | 4/1992 | Woodhouse et al. | | 128/96.1 |

| | | | | | |
|--------------|------|---------|------------------|-------|-----------|
| 5,259,831 | A * | 11/1993 | LeBron | | 602/7 |
| D358,215 | S * | 5/1995 | Reed | | D24/190 |
| 5,421,809 | A * | 6/1995 | Rise | | 602/19 |
| 5,433,697 | A | 7/1995 | Cox | | |
| 5,471,680 | A * | 12/1995 | Vesterinen | | 2/467 |
| 5,547,462 | A * | 8/1996 | Lanigan et al. | | 602/19 |
| D375,823 | S * | 11/1996 | Bleiweis | | D29/101.5 |
| 5,690,609 | A | 11/1997 | Heinze, III | | |
| D396,076 | S * | 7/1998 | Muasher | | D21/662 |
| 6,099,490 | A | 8/2000 | Turtzo | | |
| 6,152,893 | A | 11/2000 | Pigg et al. | | |
| D451,605 | S * | 12/2001 | Snider | | D24/190 |
| 6,524,264 | B1 | 2/2003 | Hutchinson | | |
| 7,329,231 | B2 | 2/2008 | Frank | | |
| 2009/0156972 | A1 * | 6/2009 | Cavalieri et al. | | 602/19 |
| 2011/0144551 | A1 * | 6/2011 | Johnson | | 602/19 |

* cited by examiner

Primary Examiner — Susan E Krakower

(74) *Attorney, Agent, or Firm* — Larson & Larson, P.A.; Frank Liebenow; Justin P. Miller

(57) **CLAIM**

We claim the ornamental design for a back support, as shown and described.

DESCRIPTION

FIG. 1 a perspective view of the back support showing our new design;

FIG. 2 is a front elevation view thereof;

FIG. 3 is a back elevation view thereof;

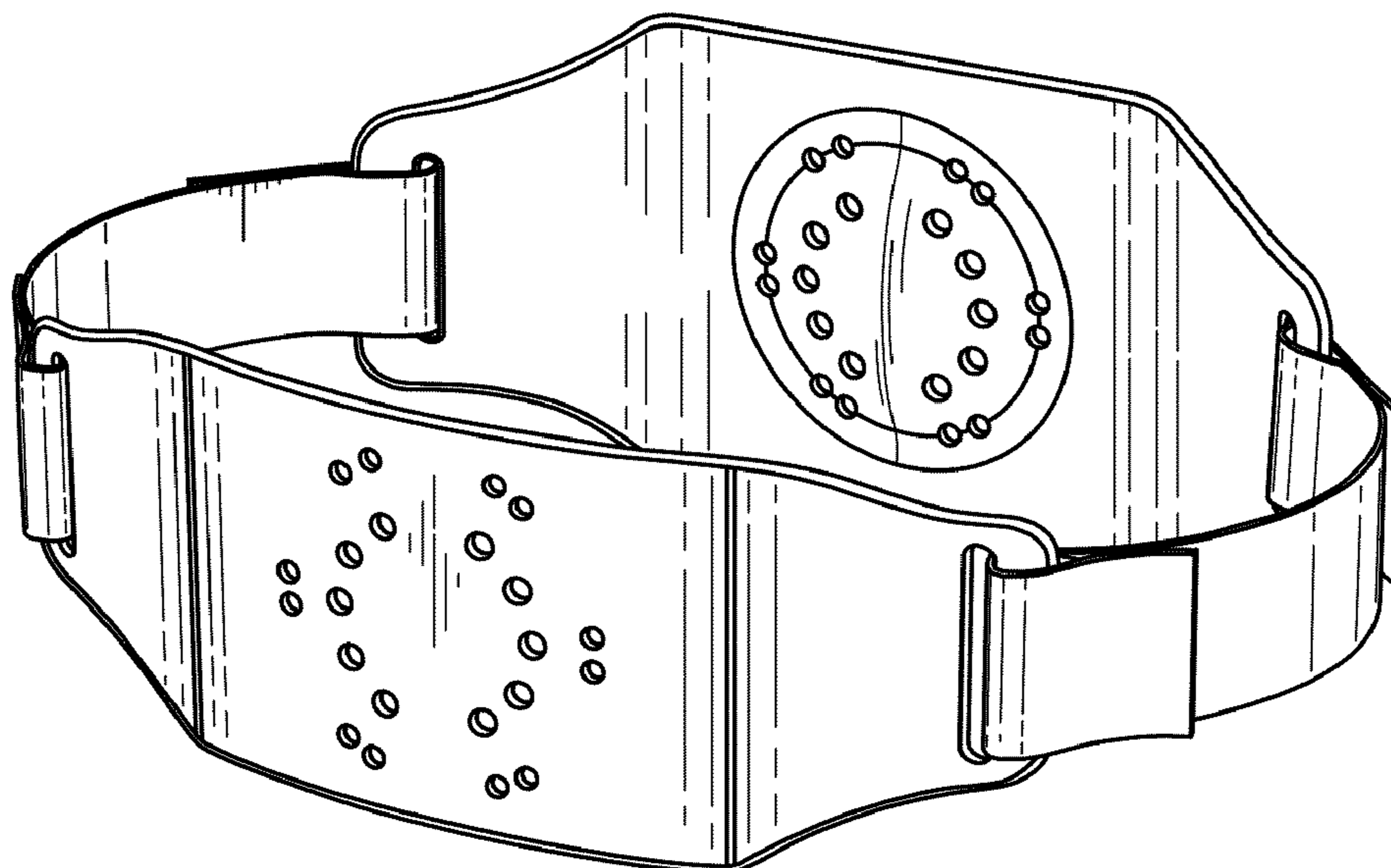
FIG. 4 is a right side view thereof; and,

FIG. 5 is a top plan view thereof.

The left side view is a mirror image of the right side view, and thus not shown.

The bottom plan view is a mirror image of the top plan view, and thus not shown.

1 Claim, 3 Drawing Sheets



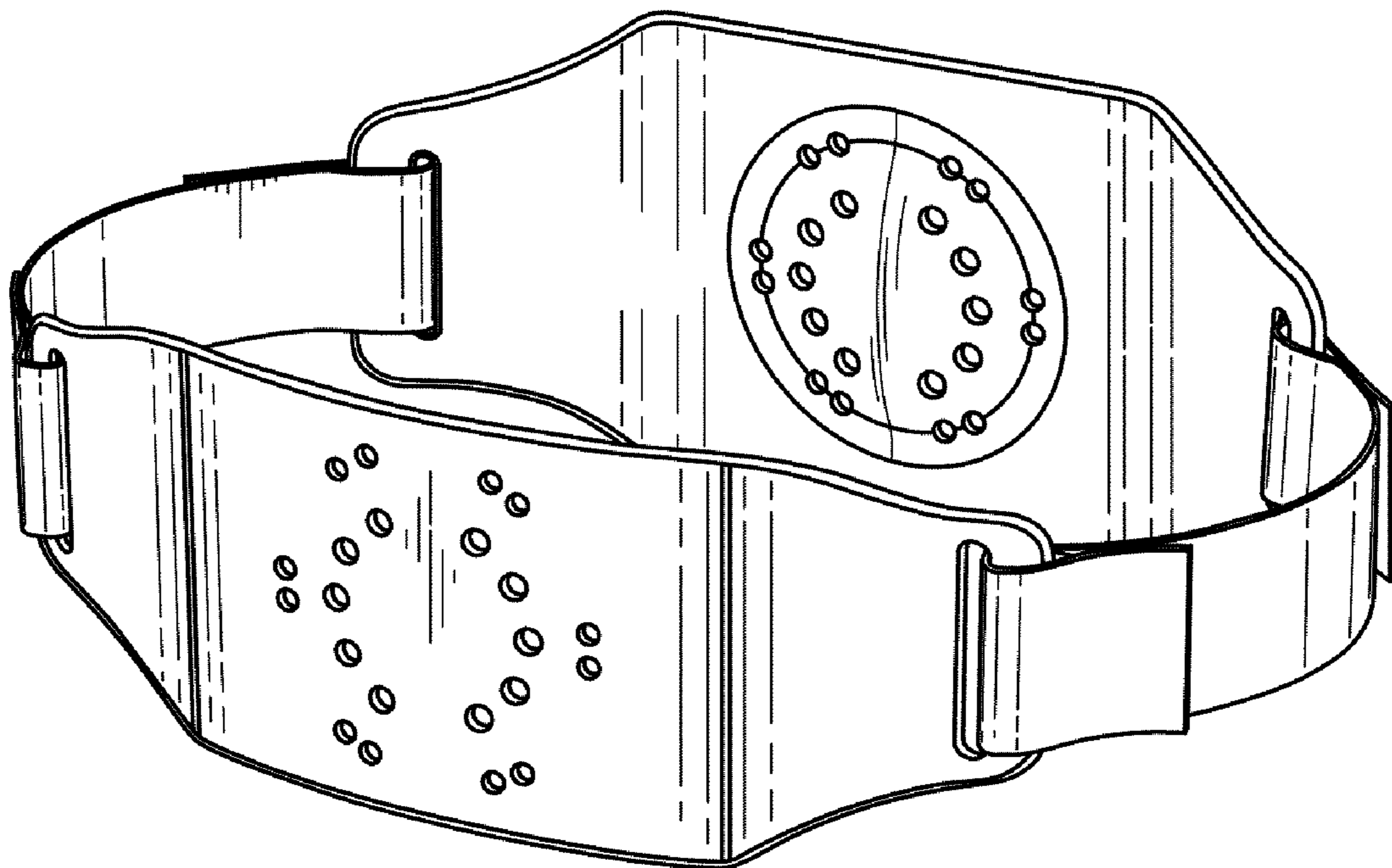


FIG. 1

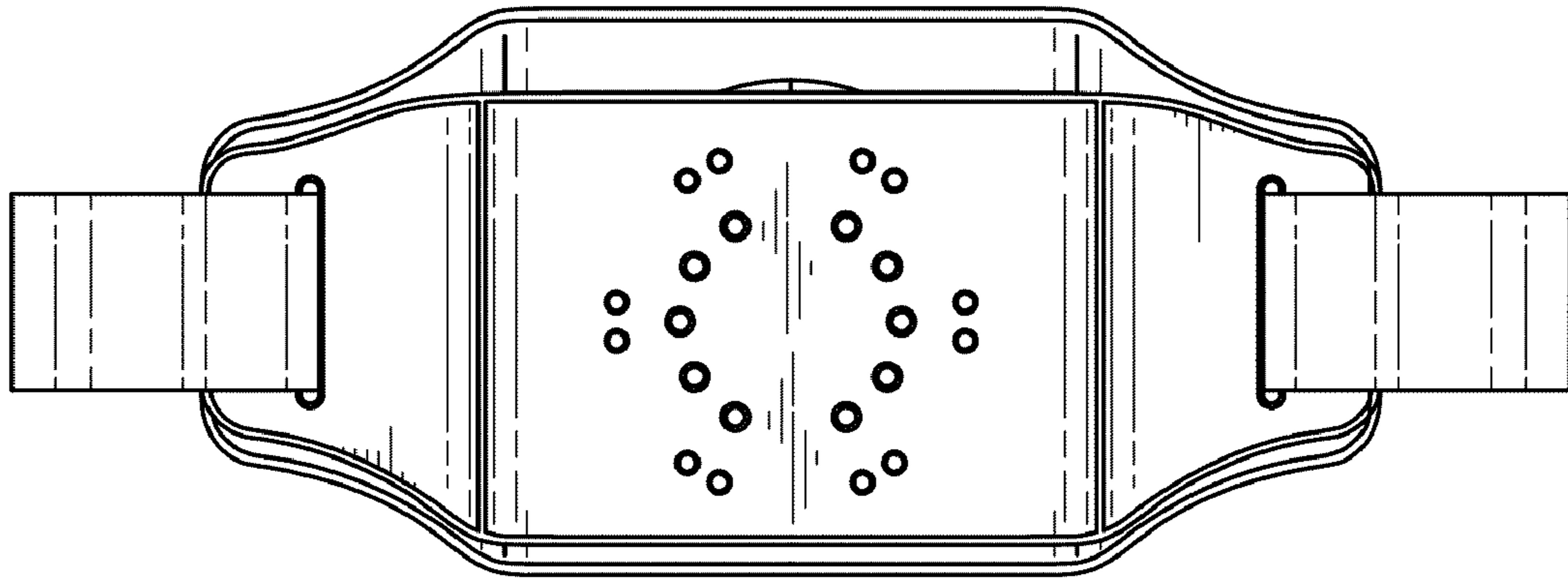


FIG. 2

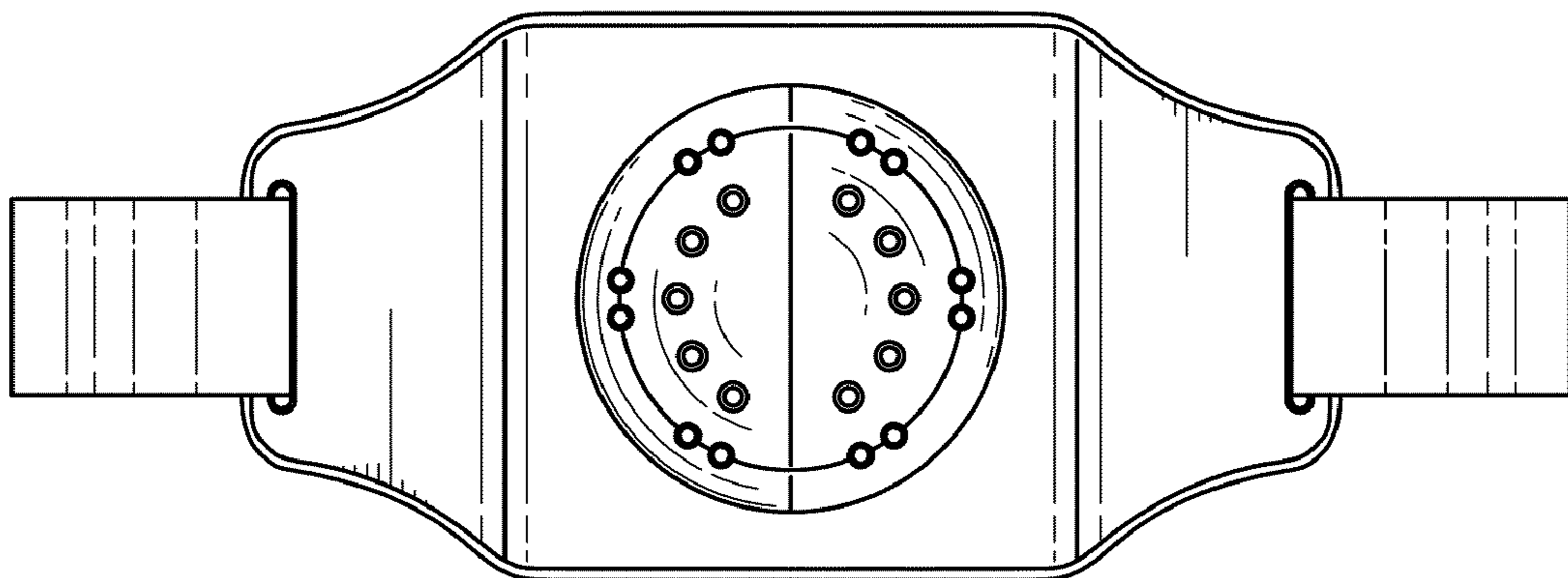


FIG. 3

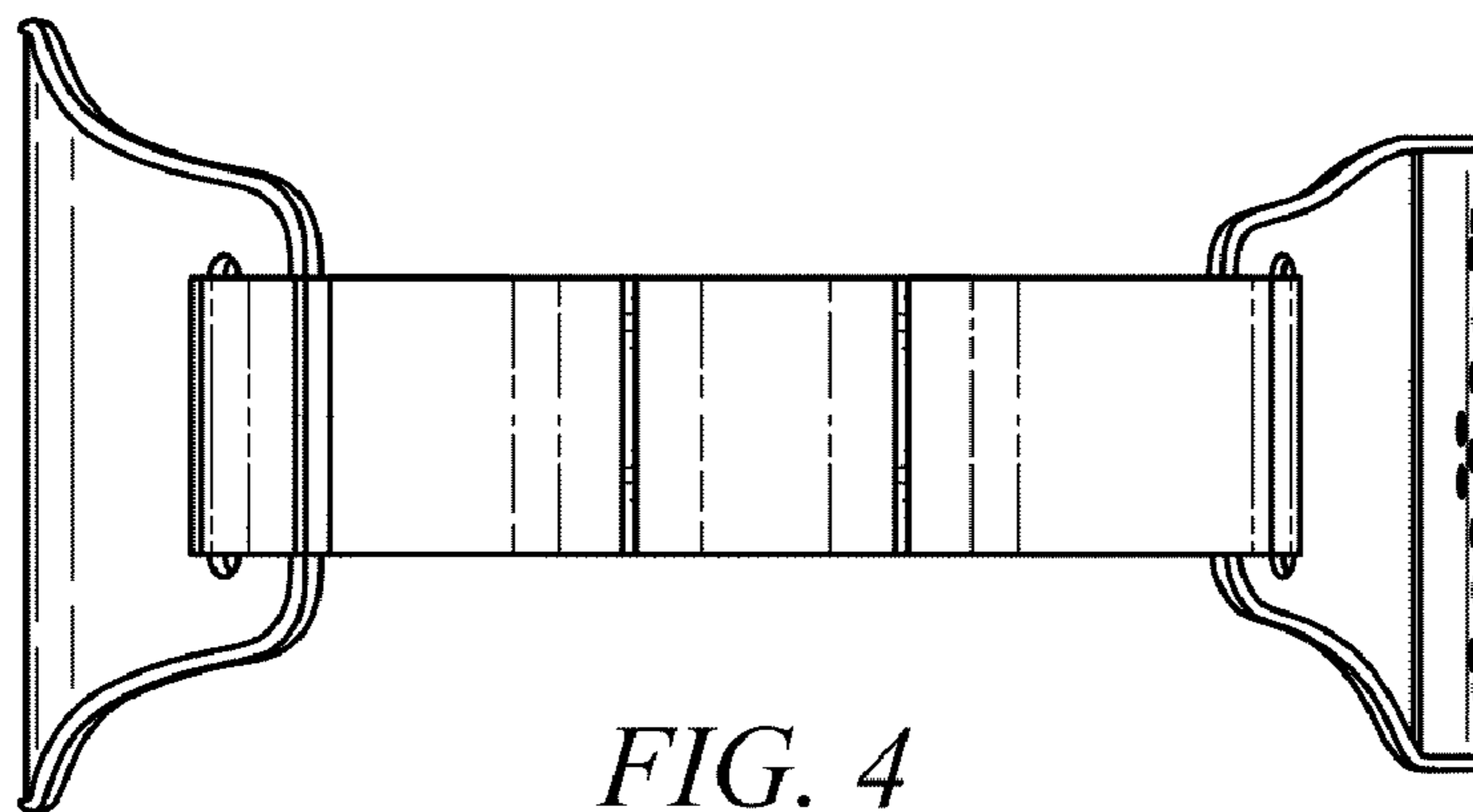


FIG. 4

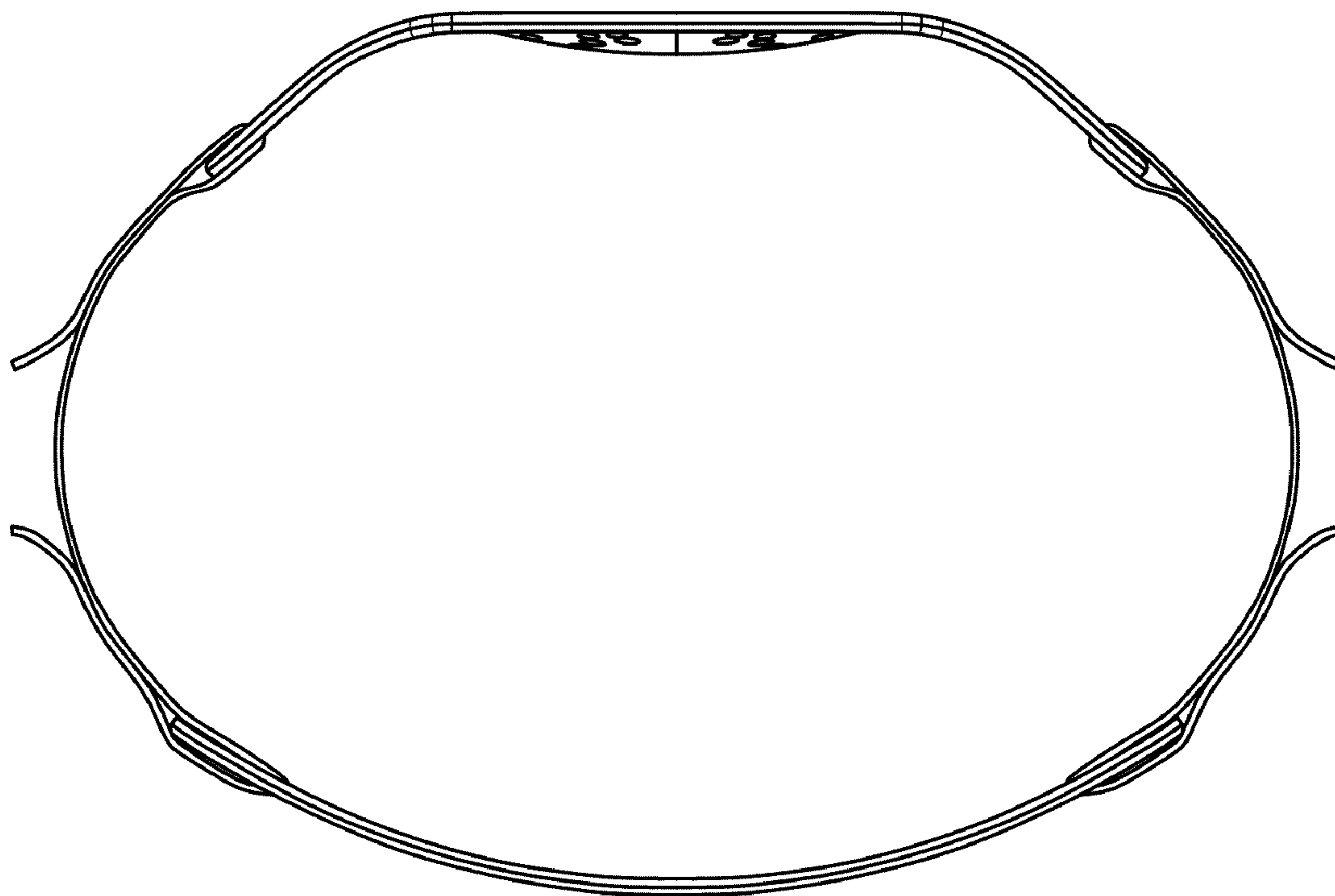


FIG. 5