



US00D649646S

(12) **United States Design Patent**
Yoo

(10) **Patent No.:** **US D649,646 S**

(45) **Date of Patent:** **** Nov. 29, 2011**

(54) **ACUPRESSURE ELEMENT FOR CUPPING
DEVICE**

2,565,270 A * 8/1951 Schumacher 601/154
D368,806 S * 4/1996 Sparaco D32/58
D636,089 S * 4/2011 Yoo D24/200

* cited by examiner

(76) Inventor: **Tae Woo Yoo**, Chungcheongnam-do
(KR)

Primary Examiner — Holly Baynham
Assistant Examiner — Michelle E Wilson

(**) Term: **14 Years**

(74) *Attorney, Agent, or Firm* — Richard M. Goldberg

(21) Appl. No.: **29/377,434**

(57) **CLAIM**

The ornamental design for acupressure element for cupping device, as shown and described.

(22) Filed: **Oct. 21, 2010**

DESCRIPTION

(30) **Foreign Application Priority Data**

Apr. 21, 2010 (KR) 2010-17650

(51) **LOC (9) Cl.** **24-04**

(52) **U.S. Cl.** **D24/188**

(58) **Field of Classification Search** D24/188,
D24/200, 133, 142, 211, 214; 606/204, 201;
601/46, 62, 95, 107, 109, 134, 135, 169,
601/154, 157, 122, 121; 604/24, 189; D8/349;
368/10

See application file for complete search history.

FIG. 1 is a top perspective view of the acupressure element for cupping device of my design;
FIG. 2 is a front elevational view thereof, with the rear elevational view, left side elevational view and right side elevational view being the same;
FIG. 3 is a top plan view thereof;
FIG. 4 is a bottom plan view thereof;
FIG. 5 is an exploded, perspective view thereof;
FIG. 6 is a bottom perspective view thereof;
FIG. 7 is a cross-sectional view thereof showing a state of attaching my design on an individual's skin in combination with a cupping device; and,
FIG. 8 is a cross-sectional view thereof, taken along line 8-8 of FIG. 3.

The broken line showing of the cupping device and skin is included for the purpose of illustrating environmental structure and forms no part of the claimed design.

(56) **References Cited**

U.S. PATENT DOCUMENTS

1,364,148 A * 1/1921 Springer 607/86
1,490,137 A * 4/1924 Springer 607/86
2,449,805 A * 9/1948 Develay et al. 601/8

1 Claim, 2 Drawing Sheets

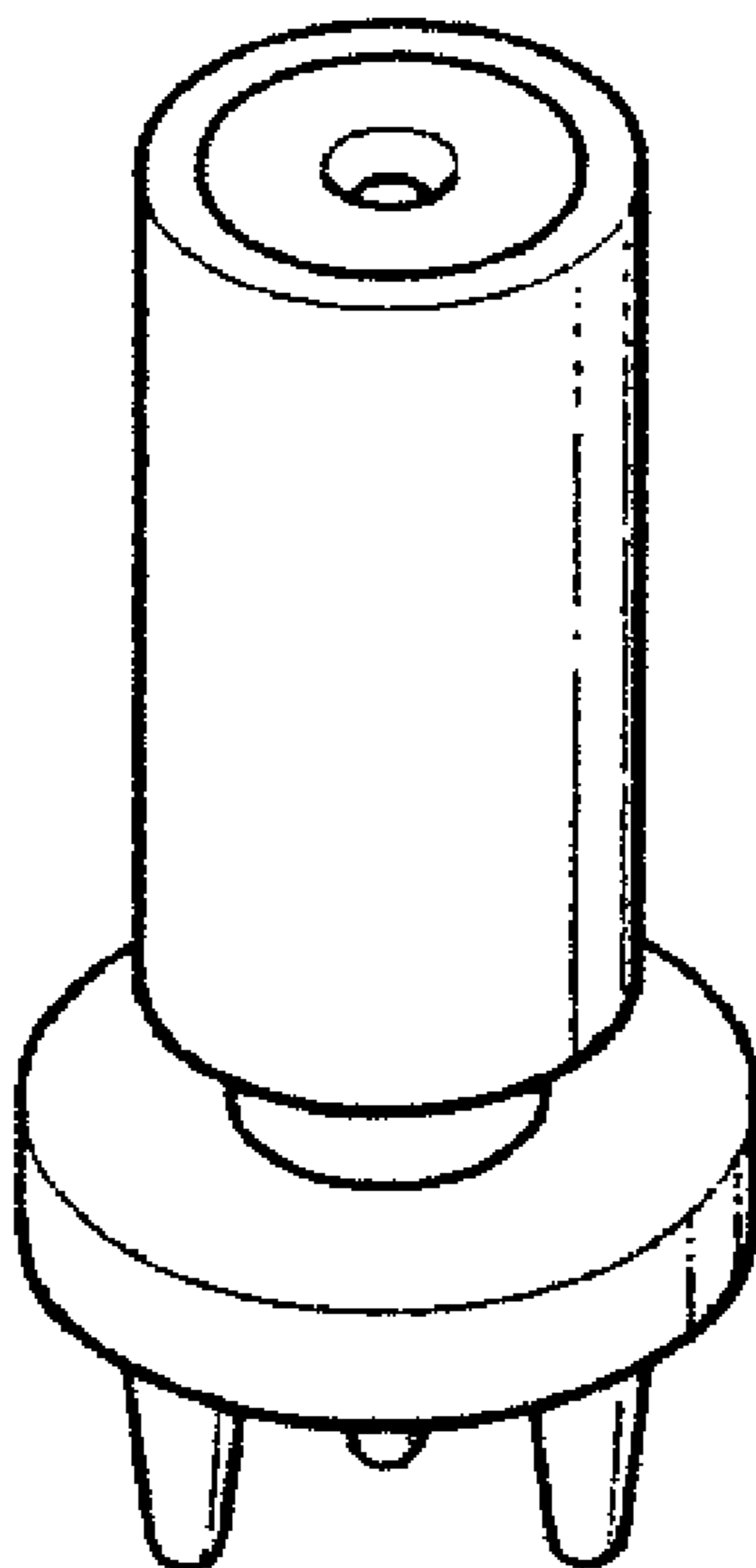


FIG. 1

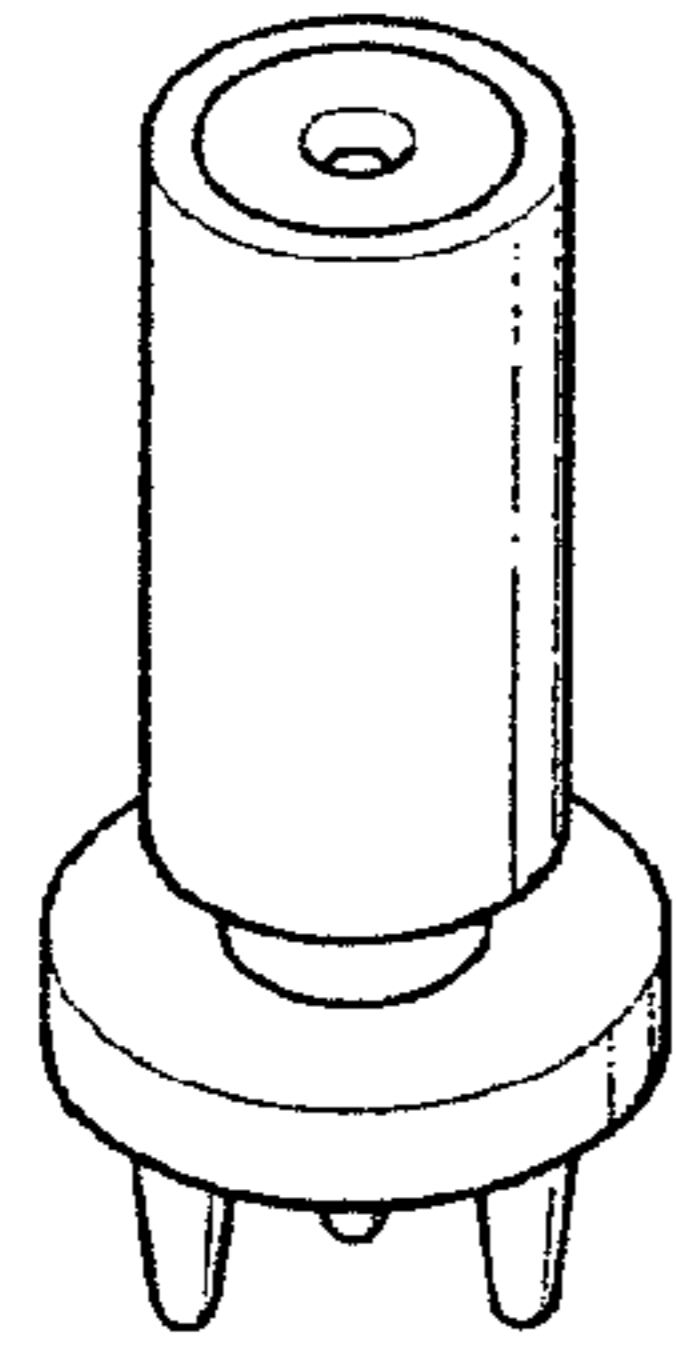


FIG. 2

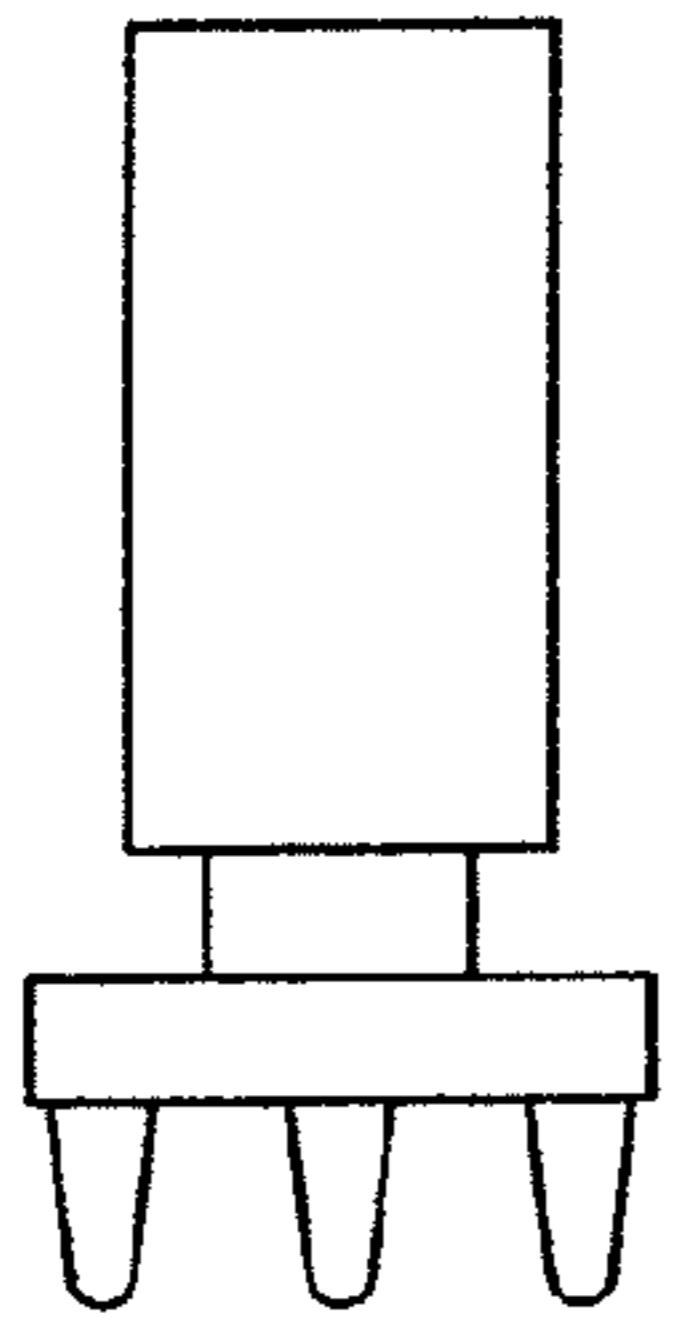


FIG. 3

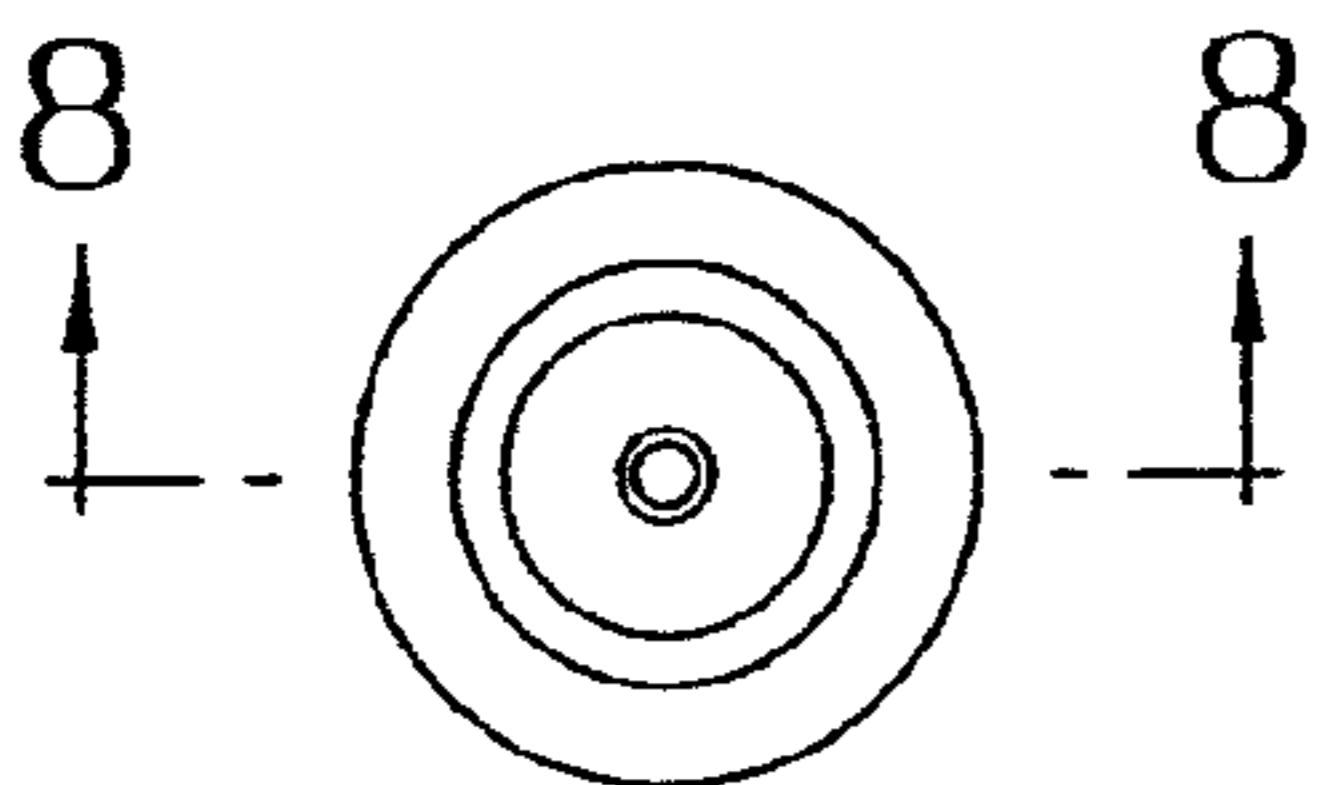


FIG. 4

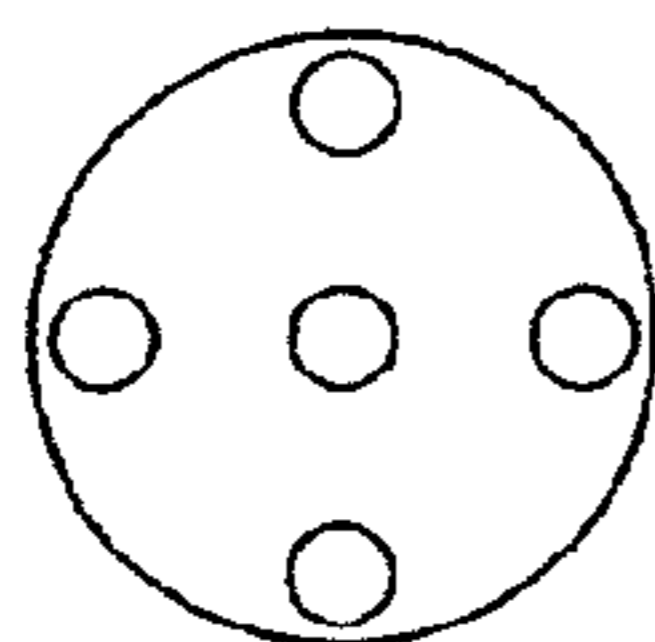


FIG. 5

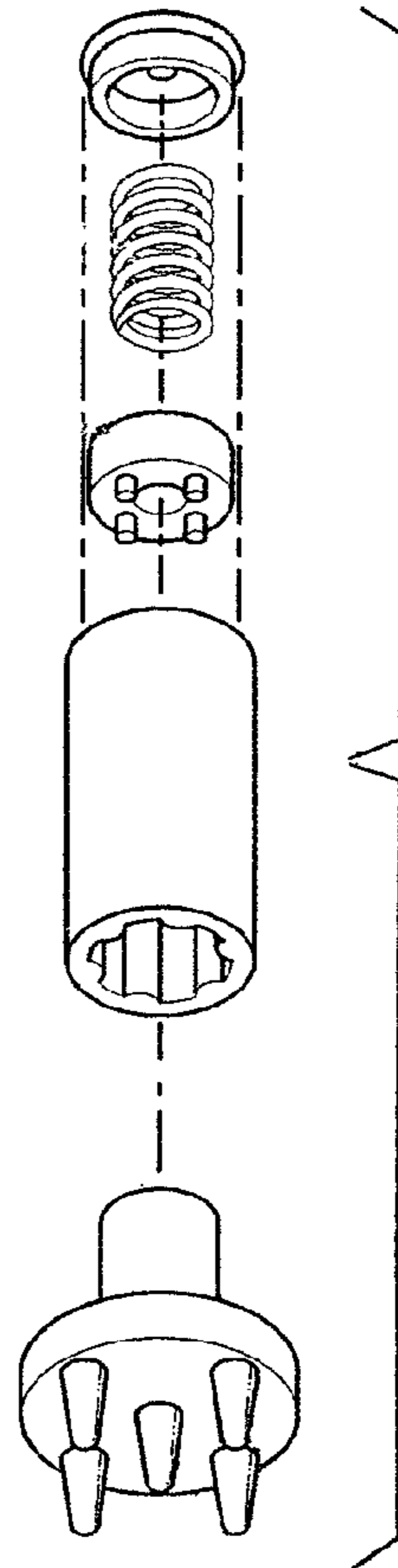


FIG. 6

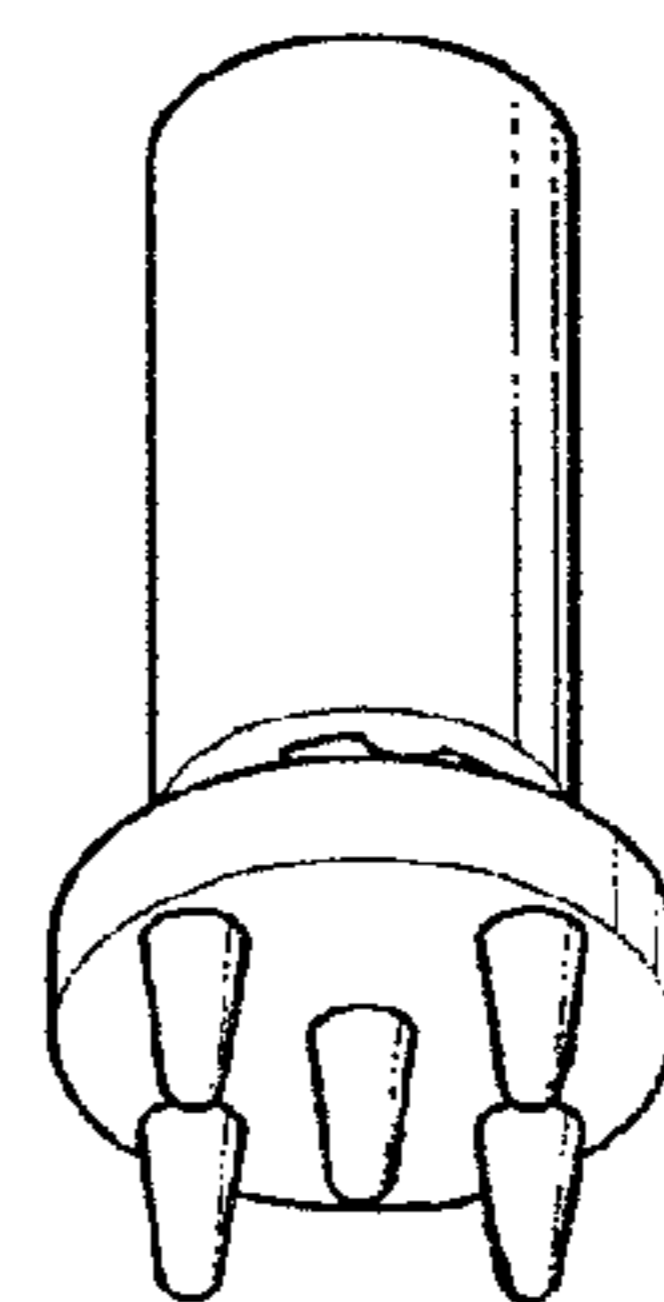


FIG. 7

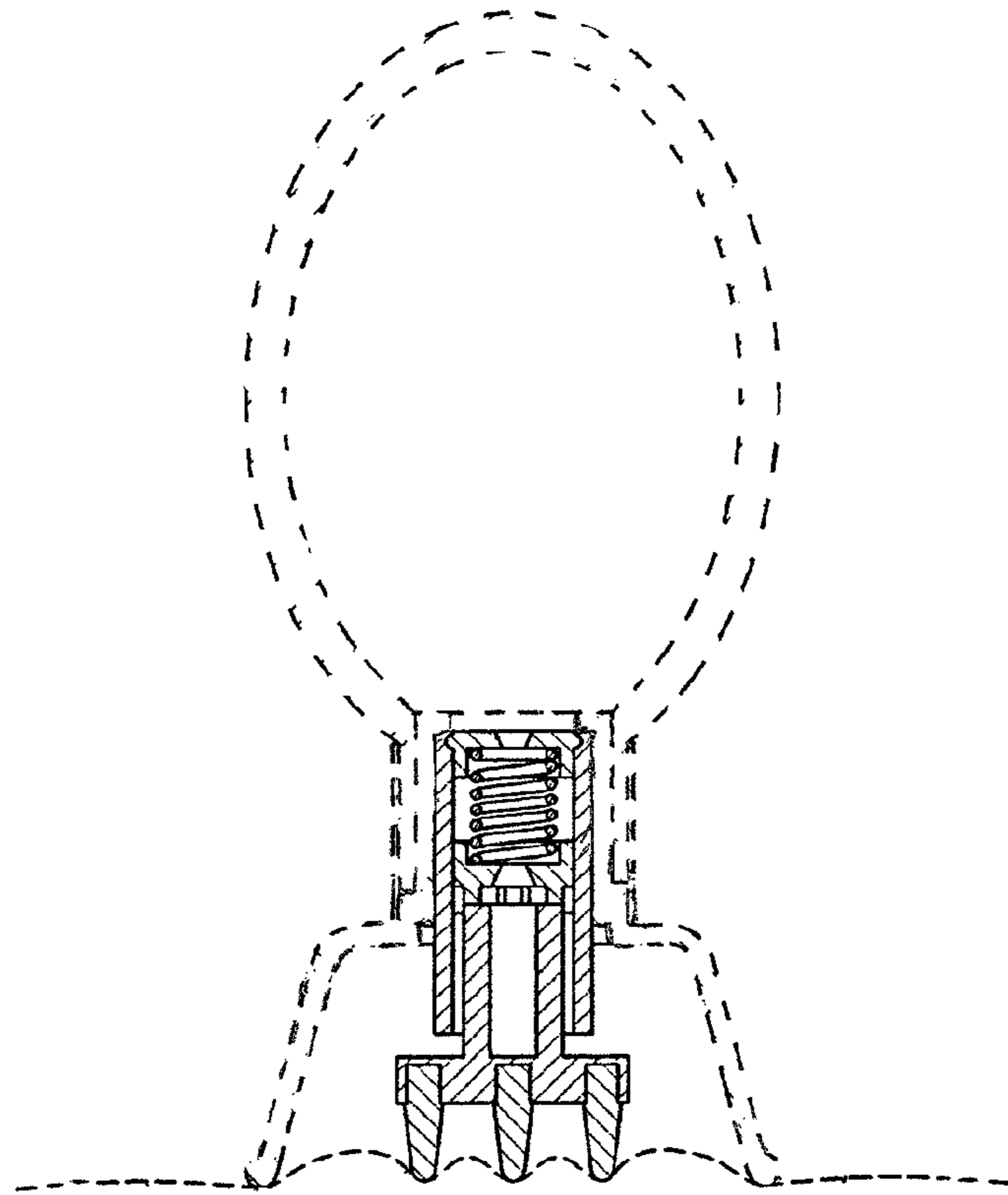


FIG. 8

